



US00D705213S

(12) **United States Design Patent**  
**Smith et al.**

(10) **Patent No.:** **US D705,213 S**

(45) **Date of Patent:** **\*\* May 20, 2014**

(54) **INTERACTIVE TERMINAL**

(56) **References Cited**

(71) Applicants: **Gavin Smith**, Crawley (GB); **Jason Kenward**, Surrey (GB); **Dave Roat**, Horsham (GB); **Adrain Caroren**, Henfield (GB); **Matthew Tidnam**, Surrey (GB); **Kok Chian Leong**, London (GB)

U.S. PATENT DOCUMENTS

D366,975 S *	2/1996	Kaga .....	D6/470
D425,875 S *	5/2000	Wilson .....	D14/307
D505,948 S *	6/2005	Vrachan et al. ....	D14/307
D506,464 S *	6/2005	Vrachan et al. ....	D14/307
D532,417 S *	11/2006	Becker et al. ....	D14/307
D605,189 S *	12/2009	Kuroda .....	D14/307
D605,190 S *	12/2009	Kuroda et al. ....	D14/307
D625,305 S *	10/2010	Bleck et al. ....	D14/307
D628,742 S *	12/2010	Hsu .....	D28/9
D661,292 S *	6/2012	Kuroda et al. ....	D14/307
D661,293 S *	6/2012	Kuroda et al. ....	D14/307
D669,464 S *	10/2012	Birgeoglu .....	D14/307
D675,608 S *	2/2013	Ono .....	D14/307

(72) Inventors: **Gavin Smith**, Crawley (GB); **Jason Kenward**, Surrey (GB); **Dave Roat**, Horsham (GB); **Adrain Caroren**, Henfield (GB); **Matthew Tidnam**, Surrey (GB); **Kok Chian Leong**, London (GB)

\* cited by examiner

(73) Assignee: **Cubic Corporation**, San Diego, CA (US)

*Primary Examiner* — Austin Murphy

(74) *Attorney, Agent, or Firm* — Kilpatrick Townsend & Stockton LLP

(\*\*) Term: **14 Years**

(57) **CLAIM**

The ornamental design for the interactive terminal, as shown and described.

(21) Appl. No.: **29/452,733**

**DESCRIPTION**

(22) Filed: **Apr. 21, 2013**

(51) **LOC (10) Cl.** ..... **14-02**

(52) **U.S. Cl.**  
USPC ..... **D14/307**

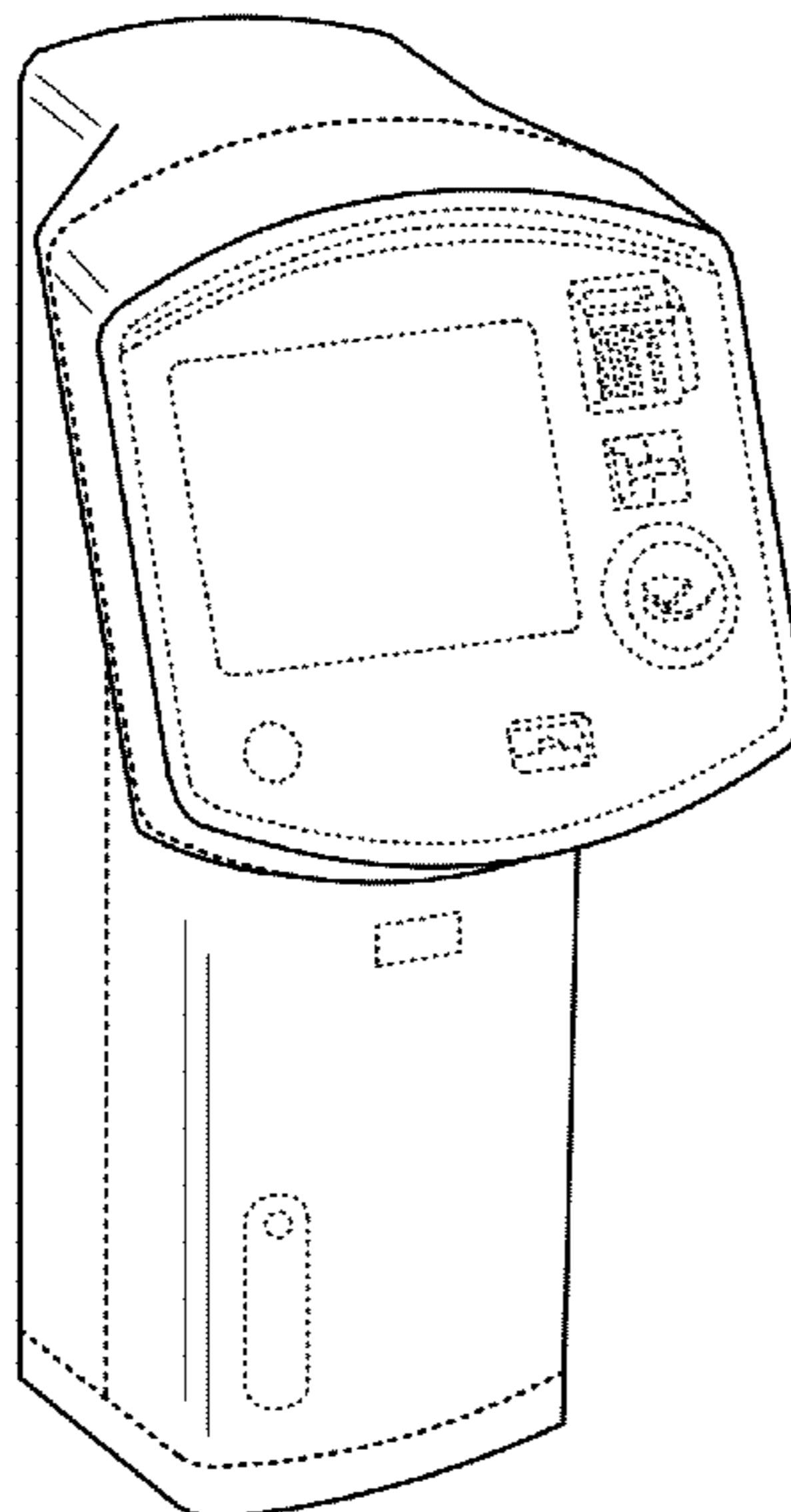
(58) **Field of Classification Search**  
USPC ..... D14/315–327, 384, 432, 439–446, 341, D14/345, 353–355, 125, 130, 132, 138, D14/239; D16/202, 208; D9/424–432; D6/491; D8/403; 235/145 A, 145 R; 341/22, 23; 349/12; 361/680–686; D20/10, 41, 43

FIG. 1 is a perspective view of an interactive terminal; FIG. 2 is a front elevation view thereof; FIG. 3 is a back elevation view thereof; FIG. 4 is a left side elevation view thereof; FIG. 5 is a right side elevation view thereof; FIG. 6 is a top plan view thereof; and, FIG. 7 is a bottom plan view thereof.

Any broken lines herein, or those added later by amendment, represent unclaimed subject matter and form no part of the claimed design. Further, in the above figures, the interactive terminal is illustrated as a stand-alone system.

See application file for complete search history.

**1 Claim, 7 Drawing Sheets**



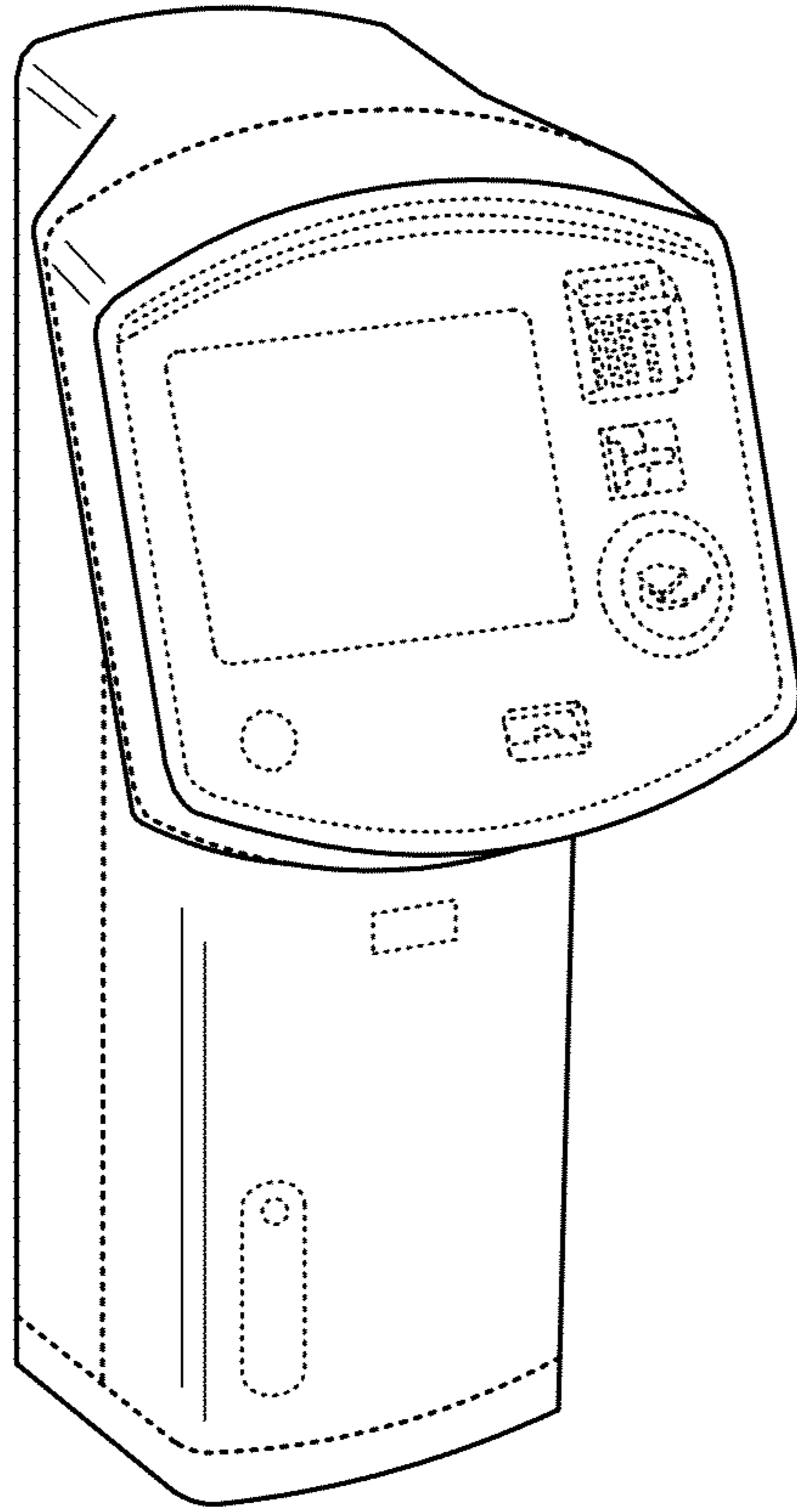


FIG. 1

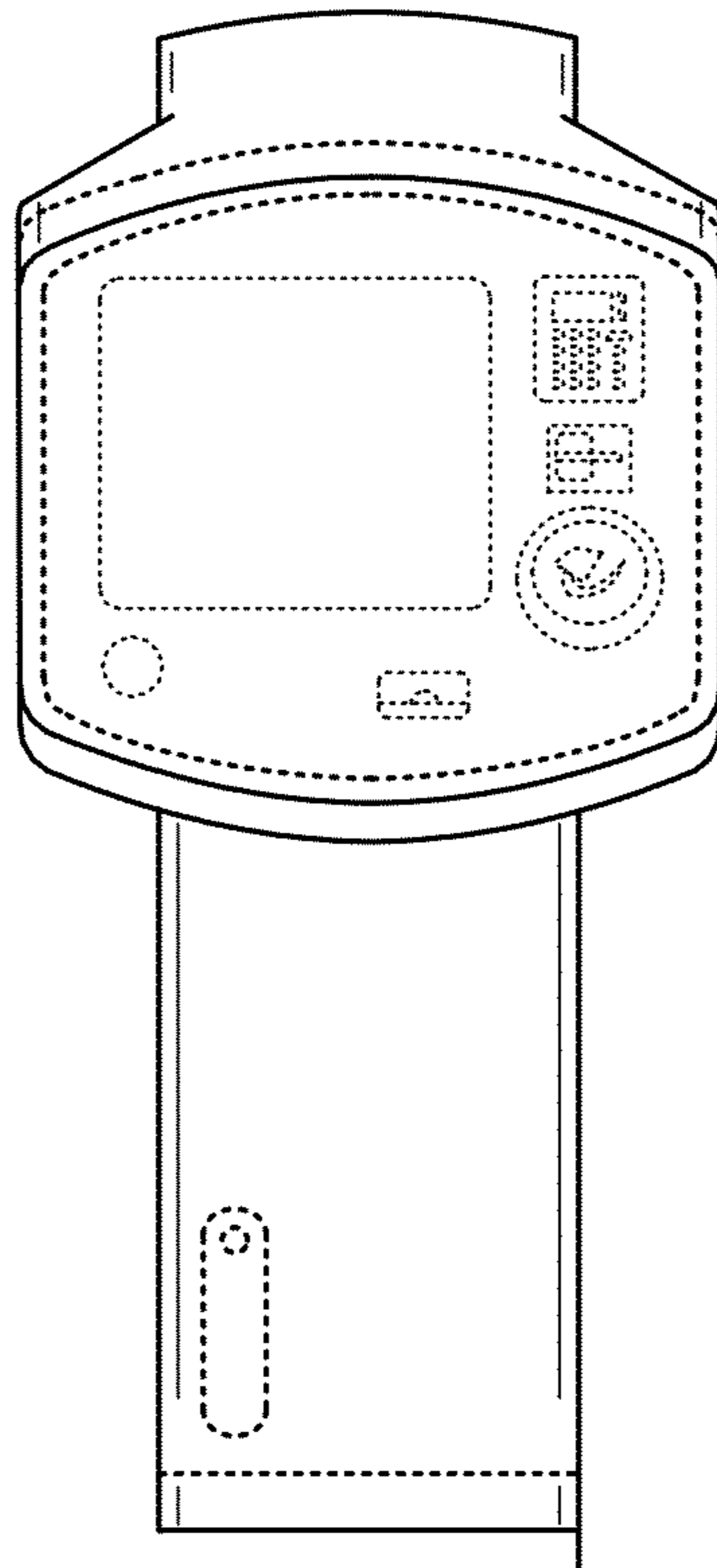


FIG.2

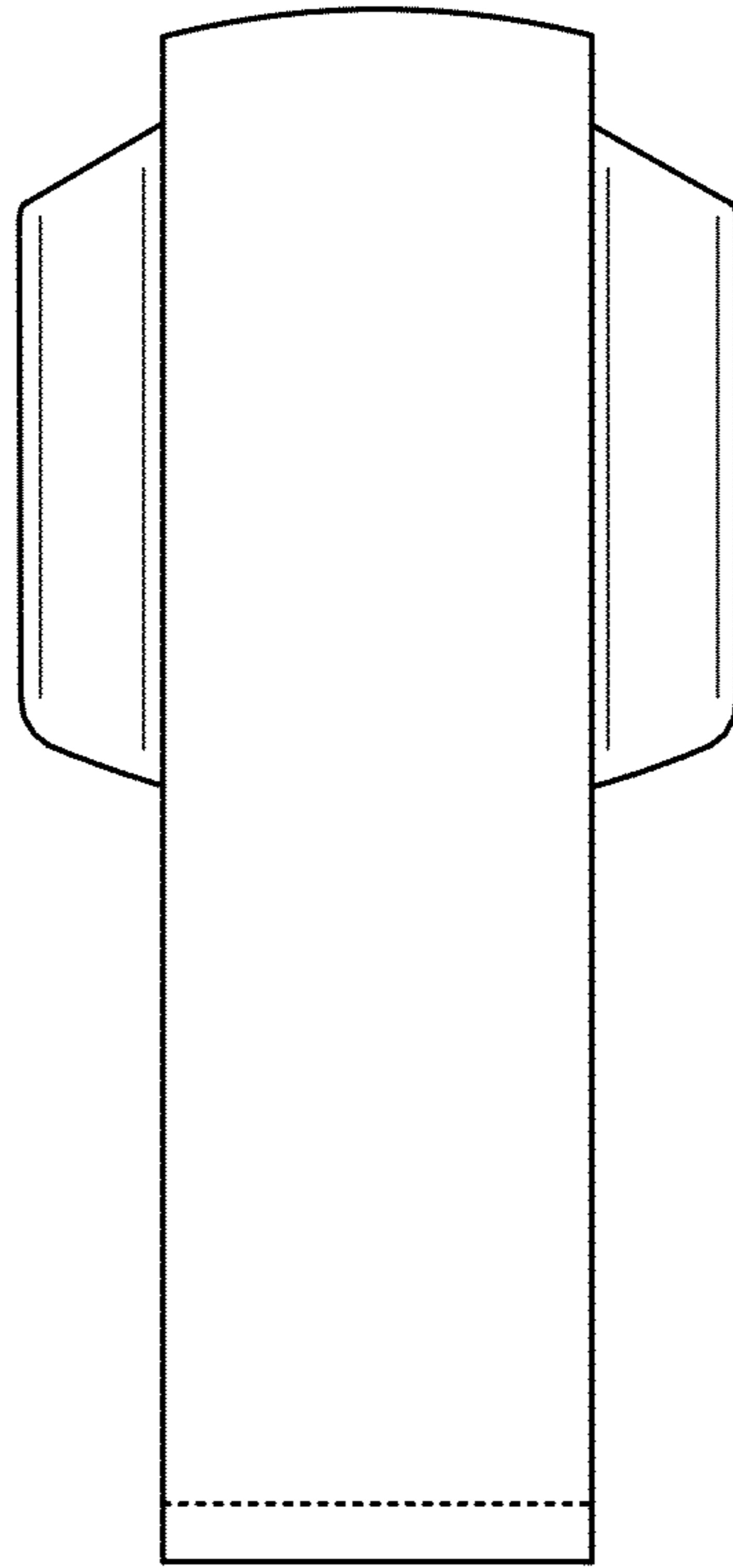


FIG.3

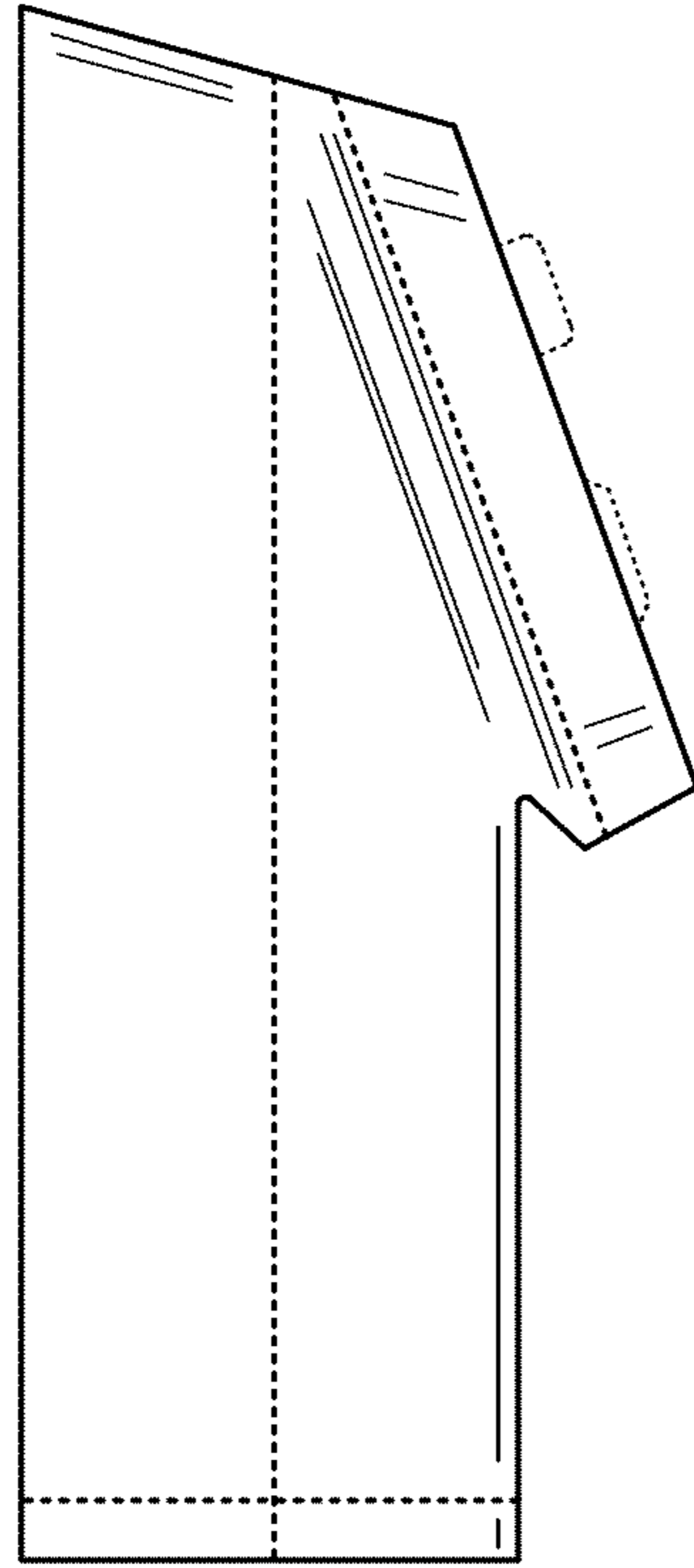


FIG.4

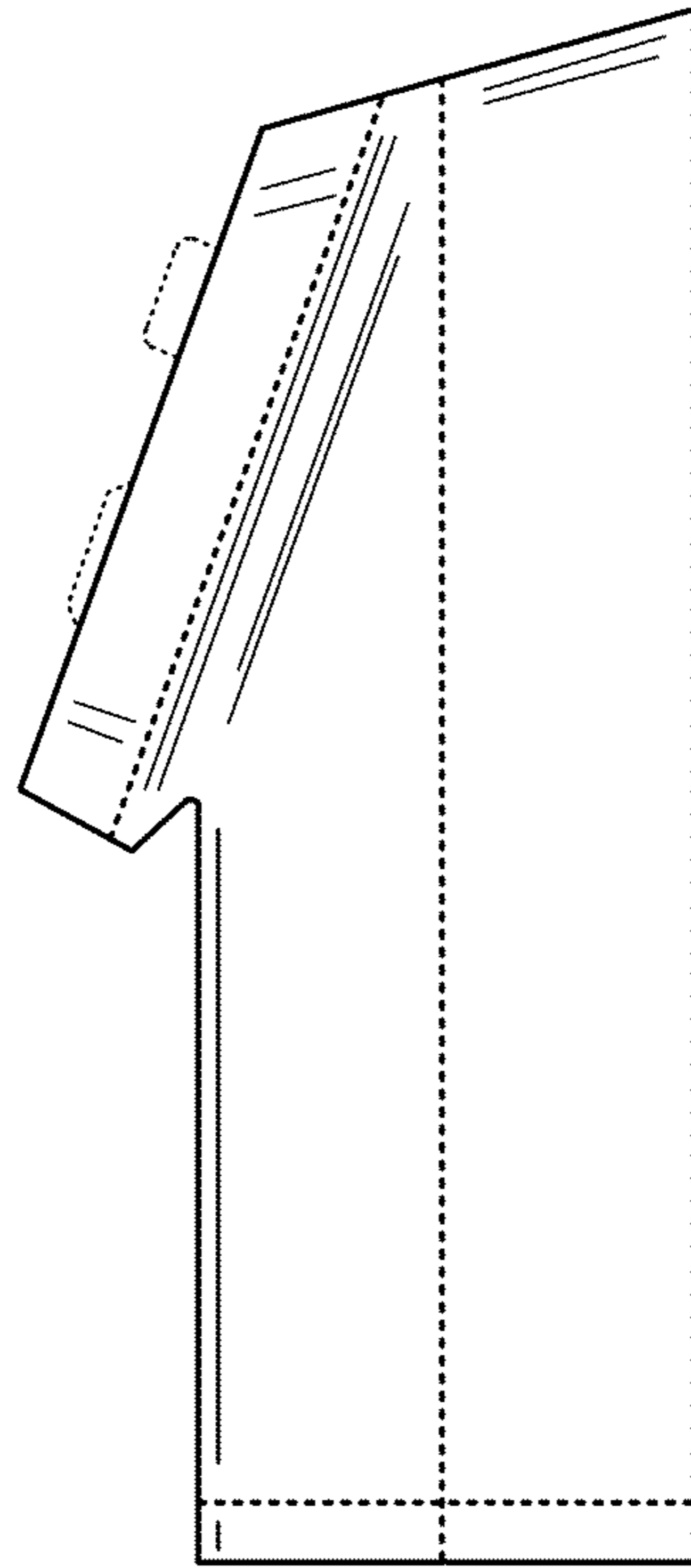


FIG.5

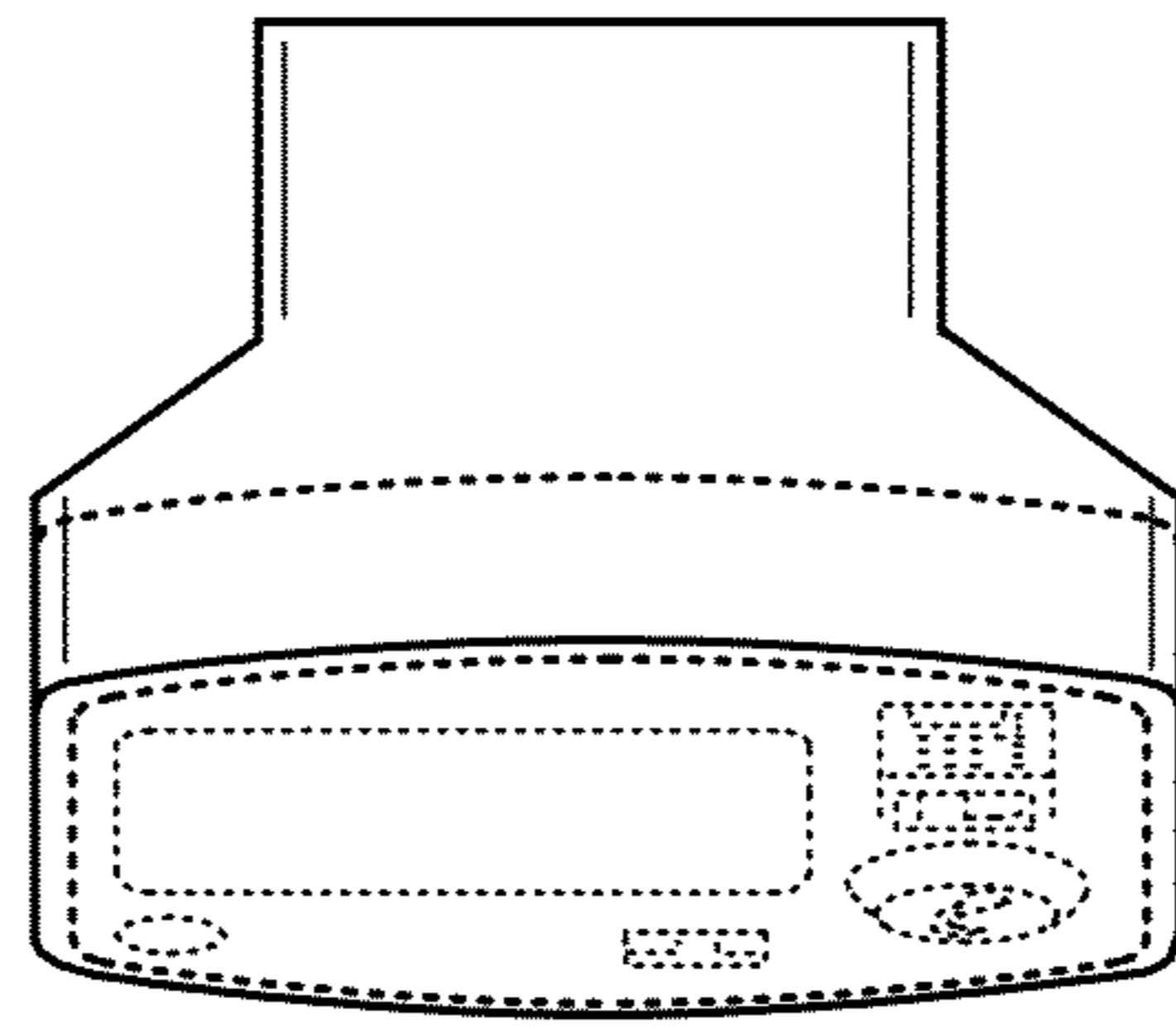


FIG.6

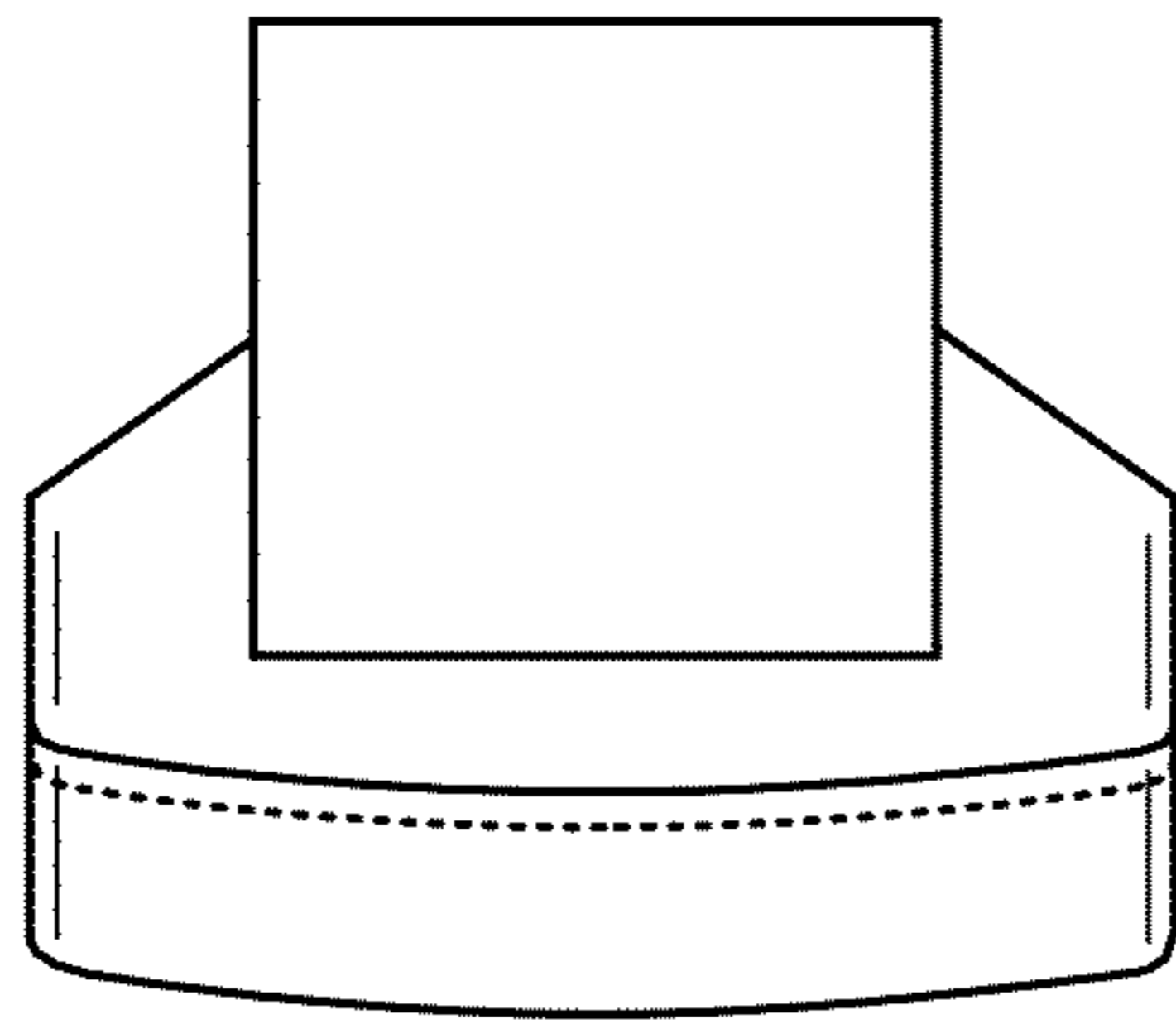


FIG.7