



US00D705211S

(12) **United States Design Patent**
Huang

(10) **Patent No.:** **US D705,211 S**
(45) **Date of Patent:** **** May 20, 2014**

(54) **HANDSET CRADLE**
(71) Applicant: **Nokia Corporation**, Espoo (FI)
(72) Inventor: **Adam Huang**, Espoo (FI)
(73) Assignee: **Nokia Corporation**, Espoo (FI)
(**) Term: **14 Years**
(21) Appl. No.: **29/445,485**

5,694,468 A 12/1997 Hsu
5,697,071 A 12/1997 Fan
D390,849 S 2/1998 Richter et al.

(Continued)

FOREIGN PATENT DOCUMENTS

WO DM/054425 12/2000
WO DM/069888 1/2008
WO DM/070795 6/2008

OTHER PUBLICATIONS

Soft Release Univerisal Cell Phone Holder With Photo Frame,
<URL:http://www.cellphoneshop.net/softrelease.html>, User
Review Jan. 13, 2012.

(Continued)

Primary Examiner — Susan Bennett Hattan
Assistant Examiner — Janice Hallmark
(74) *Attorney, Agent, or Firm* — Banner & Witcoff, Ltd

(57) **CLAIM**
The ornamental design for a handset cradle, as shown and described.

DESCRIPTION

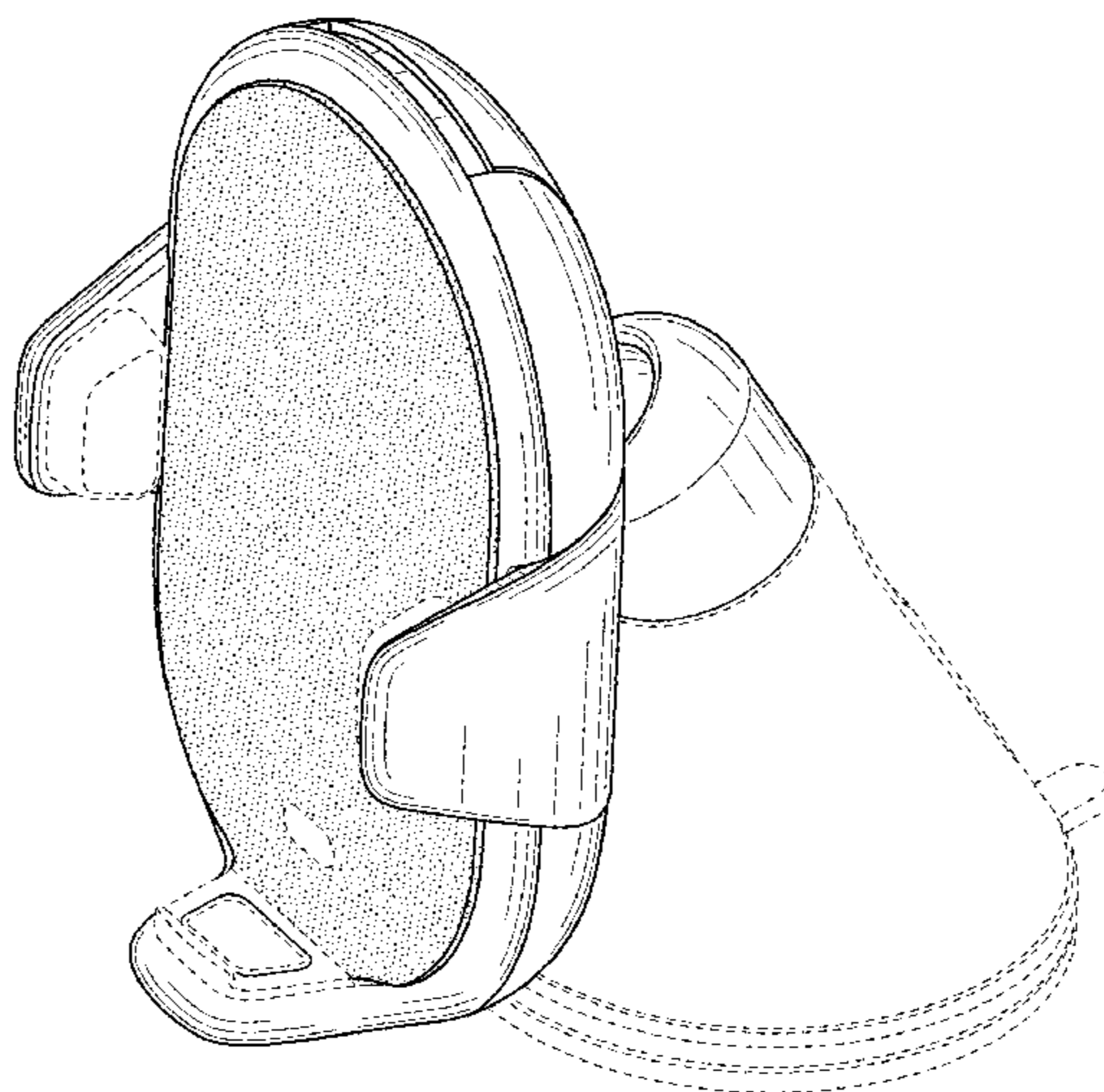
FIG. 1 is a perspective view of a handset cradle showing my new design;
FIG. 2 is a front view thereof;
FIG. 3 is a rear view thereof;
FIG. 4 is a right side view thereof;
FIG. 5 is a left side view thereof;
FIG. 6 is a top view thereof; and,
FIG. 7 is a bottom view thereof.
The contrast in shading shown in FIGS. 1, 2, and 4-7 represents a change in appearance only. The broken lines showing of the environment and the remainder of the handset cradle in FIGS. 1-7 are for environmental purposes only and form no part of the claimed design.

1 Claim, 4 Drawing Sheets

(22) Filed: **Feb. 12, 2013**
(51) **LOC (10) Cl.** **14-03**
(52) **U.S. Cl.**
USPC **D14/253**
(58) **Field of Classification Search**
USPC D14/140, 140.8, 142, 168, 204, 209.1,
D14/217, 221, 243-256, 434, 447, 452;
D3/215, 218, 269; D2/861; D6/300,
D6/310, 467, 553-574; 292/342, 343;
D19/90; D12/411, 415; D13/108;
379/446, 455; D8/355, 363; 248/181.1
See application file for complete search history.

(56) **References Cited**
U.S. PATENT DOCUMENTS

D248,950 S 8/1978 Vitacco
D301,883 S 6/1989 Kroplopp et al.
5,016,851 A 5/1991 Koskinen et al.
5,033,709 A 7/1991 Yuen
D320,022 S 9/1991 Watanabe et al.
D329,749 S 9/1992 Scheid
5,187,744 A 2/1993 Richter
D346,275 S 4/1994 Hayasaka et al.
D348,355 S 7/1994 Scheid et al.
D350,545 S 9/1994 Olkkola et al.
D356,798 S 3/1995 Rudkiewicz et al.
D360,210 S 7/1995 Rudkiewicz et al.
D361,334 S * 8/1995 Chan D14/251
D361,335 S 8/1995 Rudkiewicz et al.
D372,189 S 7/1996 Andis et al.



(56)

References Cited

U.S. PATENT DOCUMENTS

D392,646 S 3/1998 Takayasu et al.
 D411,542 S 6/1999 Richter
 D431,250 S * 9/2000 Richter D14/447
 D432,121 S 10/2000 Chen
 D456,024 S * 4/2002 Richter D14/434
 D456,395 S 4/2002 Lehtovaara
 D462,677 S 9/2002 Eroma
 D471,547 S 3/2003 Ruohonen
 D499,092 S * 11/2004 Fan D14/253
 D499,093 S * 11/2004 Chen D14/253
 D508,605 S 8/2005 Hwang et al.
 D528,539 S 9/2006 McClaude
 D529,489 S * 10/2006 Sbordon, Jr. D14/253
 D529,905 S * 10/2006 Richter D14/253
 D530,713 S * 10/2006 Richter D14/253
 D532,004 S 11/2006 Kettula et al.
 D535,988 S 1/2007 Kettula et al.

D566,118 S 4/2008 Brassard
 D577,358 S 9/2008 Kettula et al.
 D606,065 S * 12/2009 Rihu D14/253
 D646,315 S * 10/2011 Orf D16/242
 D685,379 S * 7/2013 Richter D14/447
 D685,380 S * 7/2013 Richter D14/447
 2002/0176571 A1 * 11/2002 Louh 379/455
 2005/0279902 A1 12/2005 Richter

OTHER PUBLICATIONS

Rafe Blandford, In car accessories from Nokia, All About Windows Phone, Nov. 16, 2011 retrieved from http://allaboutwindowsphone.com/flow/item/13642_In_car_accessories_from_Nokia.php on Jan. 27, 2014.
 Orson Nash, Audiovox: Wireless Qi Charging Next Car Electronics Growth Driver, Qi Wireless, Jan. 11, 2013 retrieved from <http://www.qiwireless.com/audiovox-wireless-qi-charging-next-car-electronics-growth-driver/> on Jan. 27, 2014.

* cited by examiner

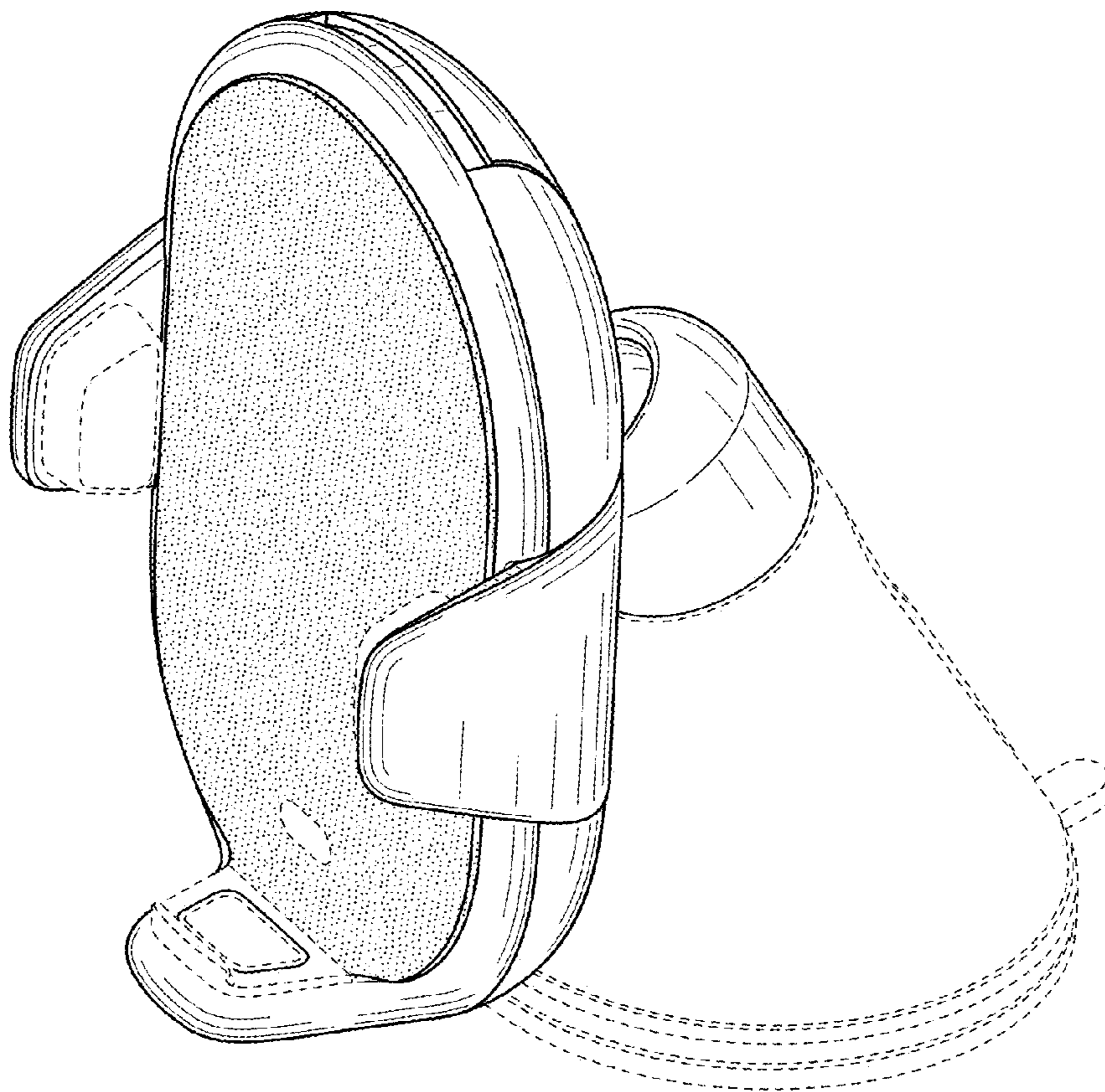


FIG. 1

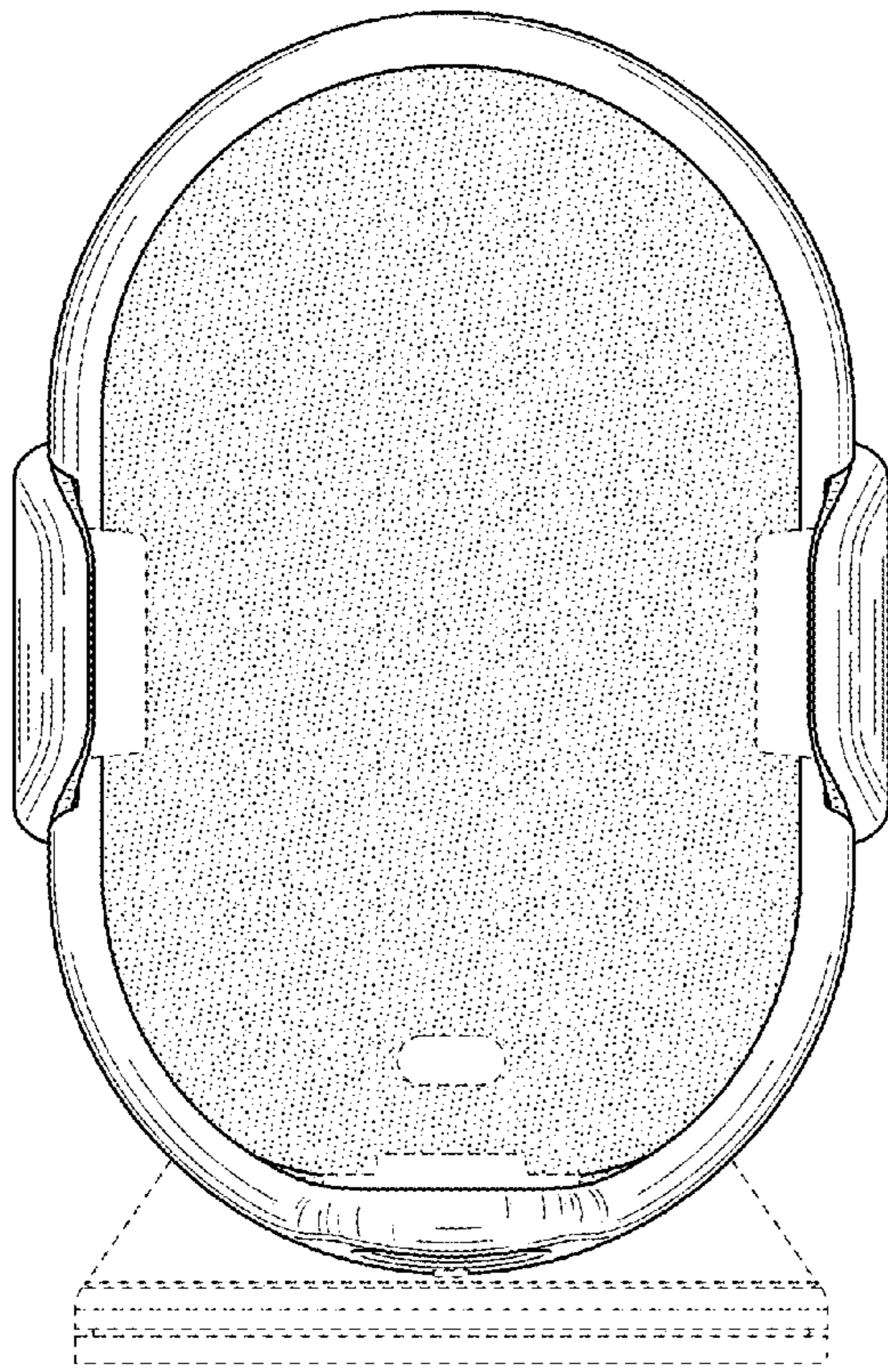


FIG. 2

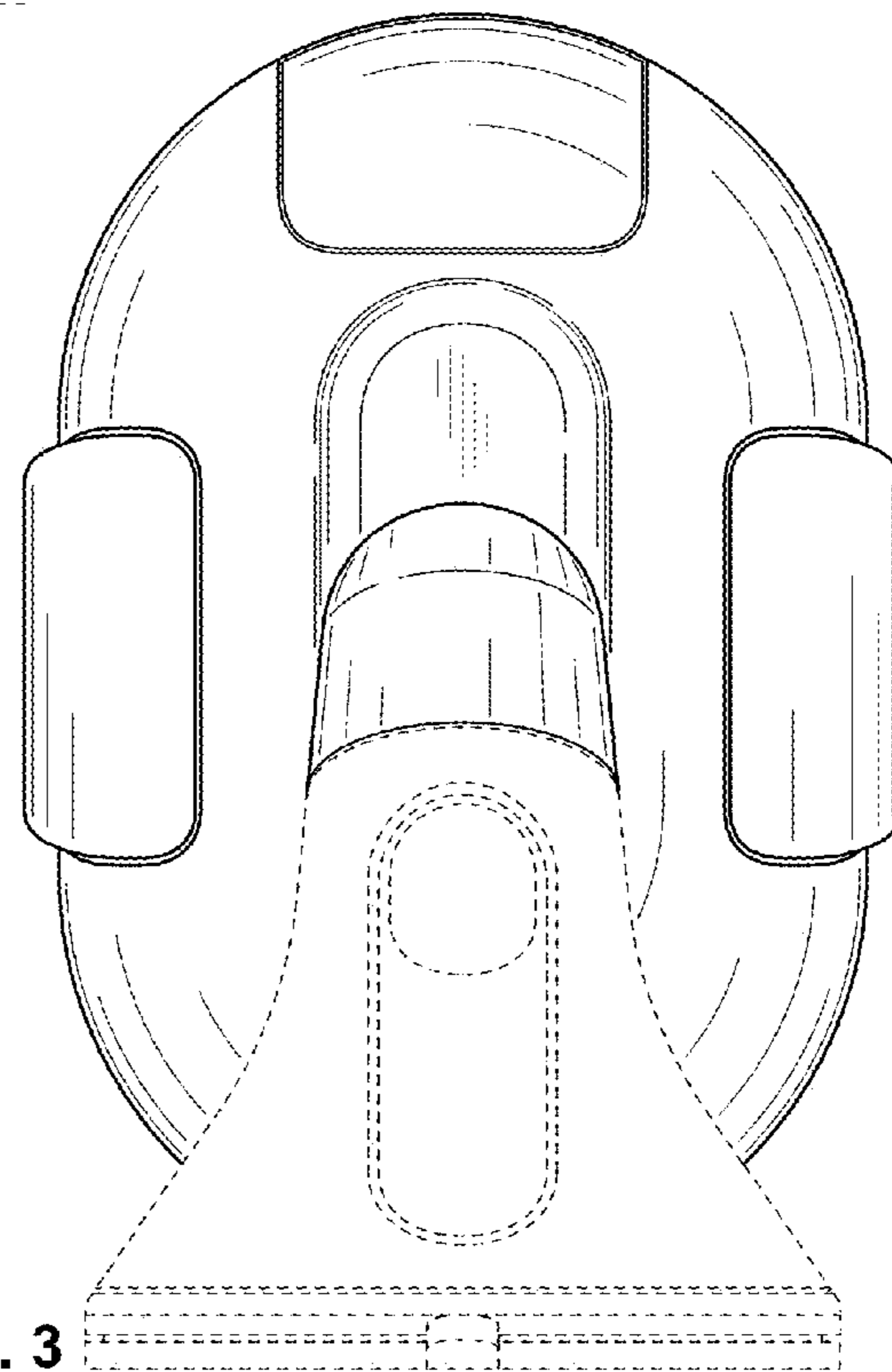
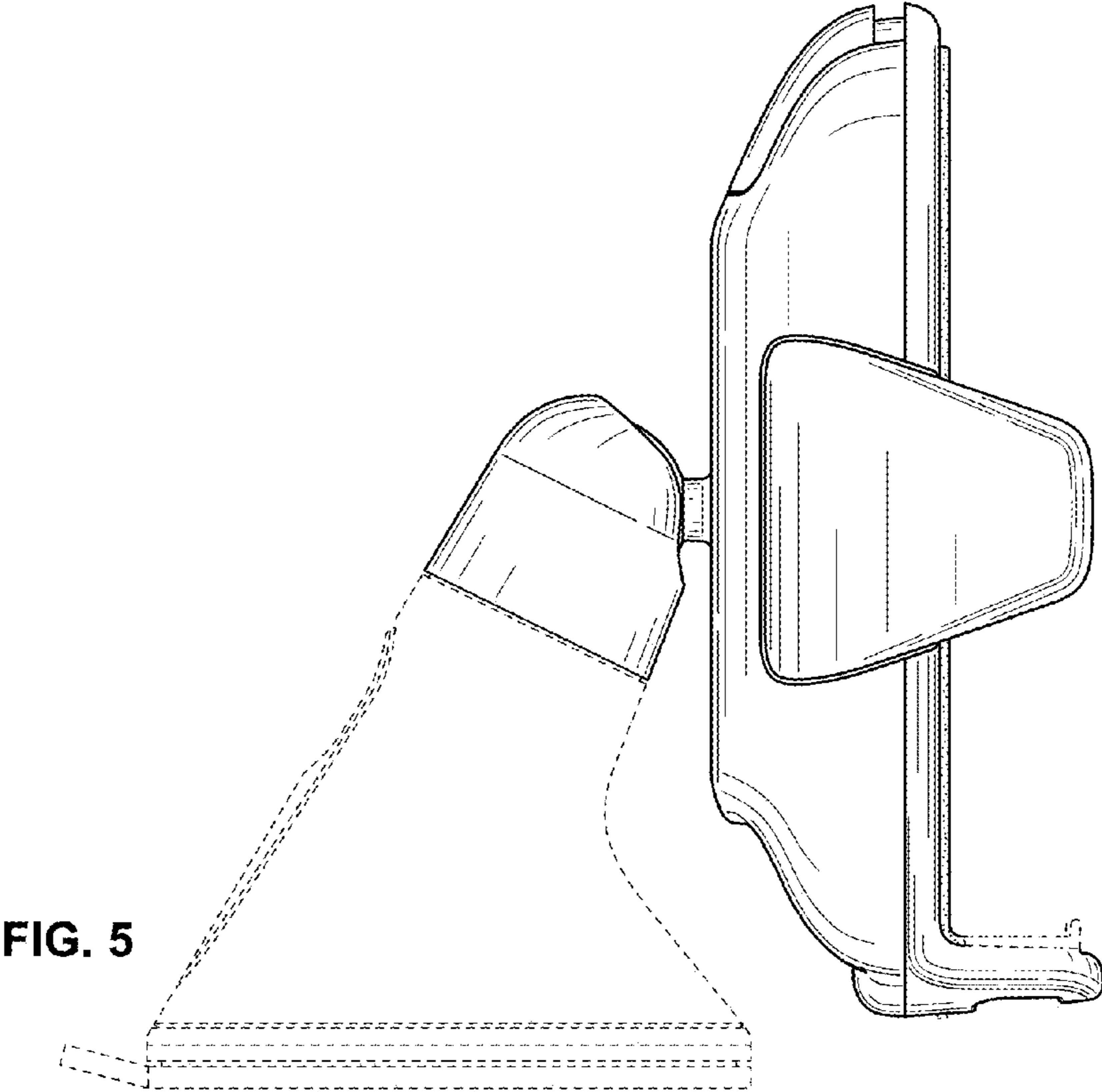
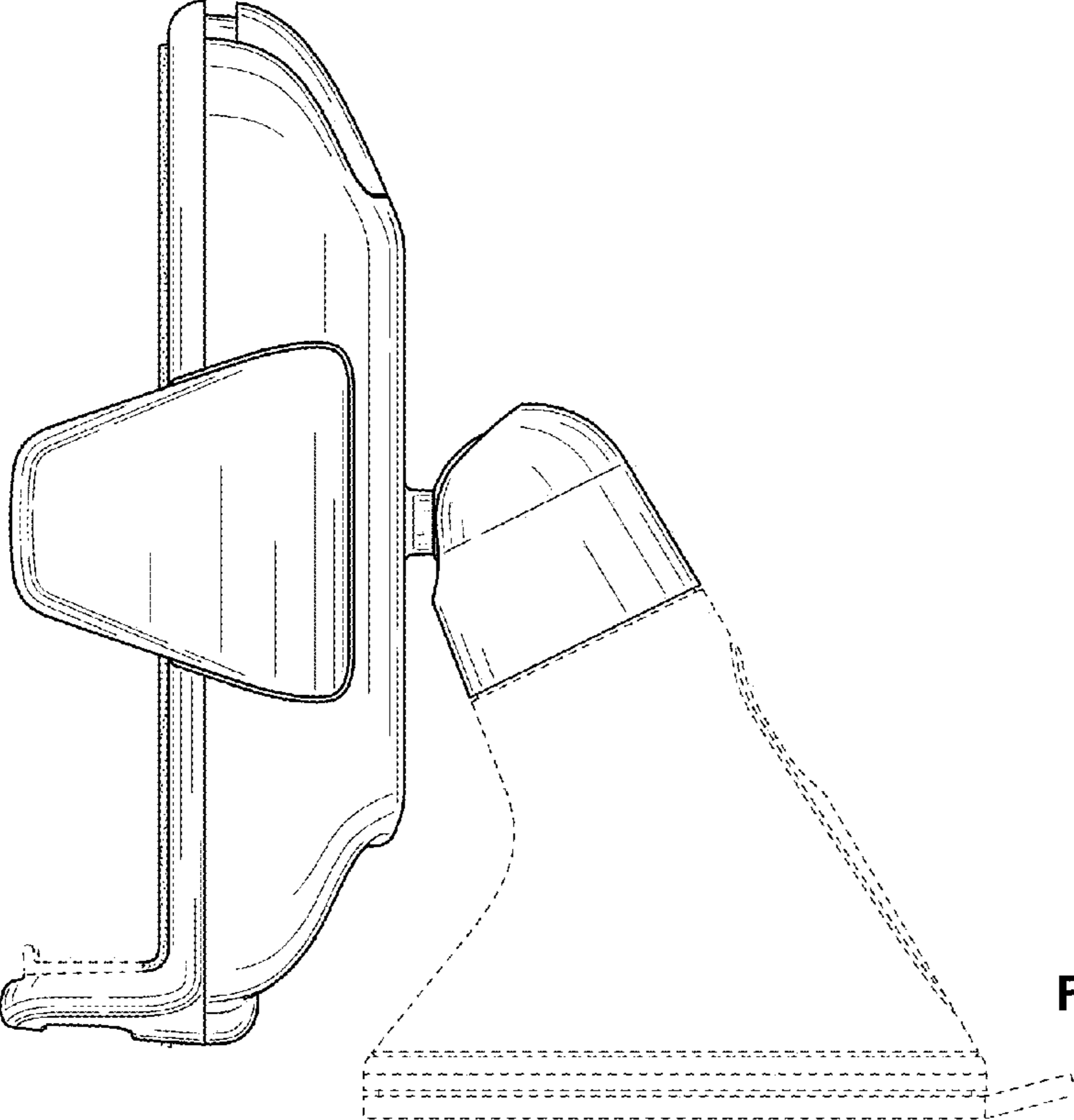


FIG. 3



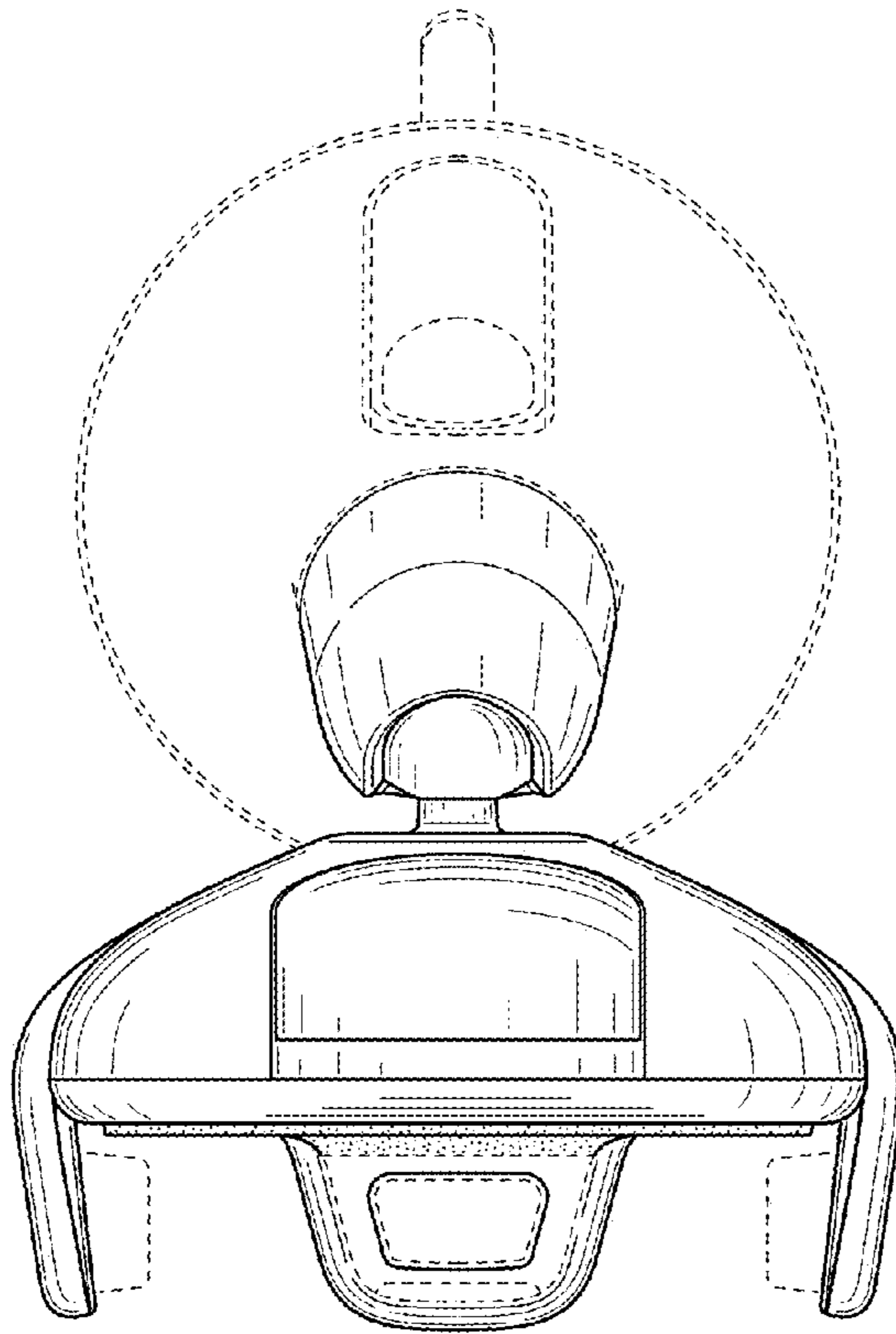


FIG. 6

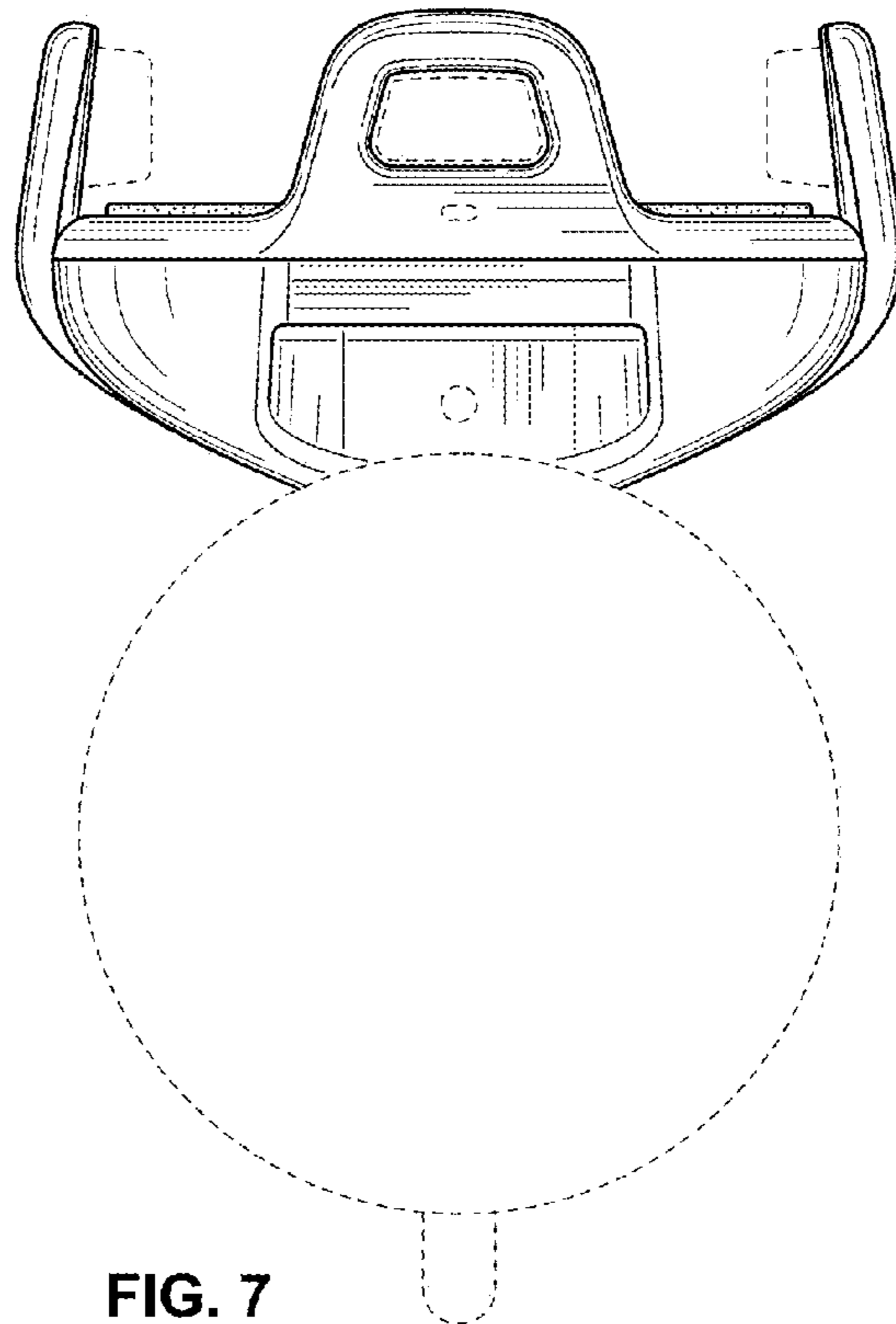


FIG. 7