



US00D705210S

(12) **United States Design Patent**
Adelman et al.

(10) **Patent No.:** **US D705,210 S**

(45) **Date of Patent:** **** May 20, 2014**

(54) **CARRYING CASE RECEIVER**

(75) Inventors: **Gregory M. Adelman**, Boulder, CO (US); **William R. Brennan, Jr.**, Longmont, CO (US); **Richard N. Case**, Boulder, CO (US)

(73) Assignee: **Nite Ize, Inc.**, Boulder, CO (US)

(**) Term: **14 Years**

(21) Appl. No.: **29/410,575**

(22) Filed: **Jan. 9, 2012**

Related U.S. Application Data

(63) Continuation-in-part of application No. 13/196,762, filed on Aug. 2, 2011.

(51) **LOC (10) Cl.** **14-03**

(52) **U.S. Cl.**
USPC **D14/253**; D14/250; D14/251

(58) **Field of Classification Search**
USPC D3/201, 215, 218, 224, 247, 24;
D8/355, 373, 382, 394; D12/415, 420;
D13/103; D14/137, 140, 188, 217,
D14/224, 224.1, 229, 230, 235, 240, 243,
D14/248, 250, 251, 252, 253, 344, 358, 433,
D14/434, 447, 451, 452, 483, 496; 206/320;
224/194, 247, 666, 667; 248/205.1,
248/207, 214, 226.11, 229.1, 229.17, 302,
248/316.7; 361/679.01, 679.02, 679.03,
361/679.26, 679.3; 379/445, 449

See application file for complete search history.

(56) **References Cited**

U.S. PATENT DOCUMENTS

2,118,875 A 5/1938 Windheim
2,530,695 A 11/1950 Helmert
2,542,601 A 2/1951 Van Cleef

D165,253 S * 11/1951 Ward D3/224
3,257,054 A 6/1966 Miesel
3,426,393 A 2/1969 Mead
3,543,353 A 12/1970 Meehan
3,564,667 A 2/1971 Parrick, III et al.
3,757,429 A 9/1973 Sumino
3,768,711 A 10/1973 Wilkinson
3,806,358 A 4/1974 Glander et al.

(Continued)

OTHER PUBLICATIONS

In the US Patent and Trademark Office U.S. Appl. No. 12/247,523 Non-Final Office Action dated Jan. 31, 2012, 7 pages.

(Continued)

Primary Examiner — Garth Rademaker

Assistant Examiner — Chelsea Sealey

(74) *Attorney, Agent, or Firm* — Patton Boggs LLP

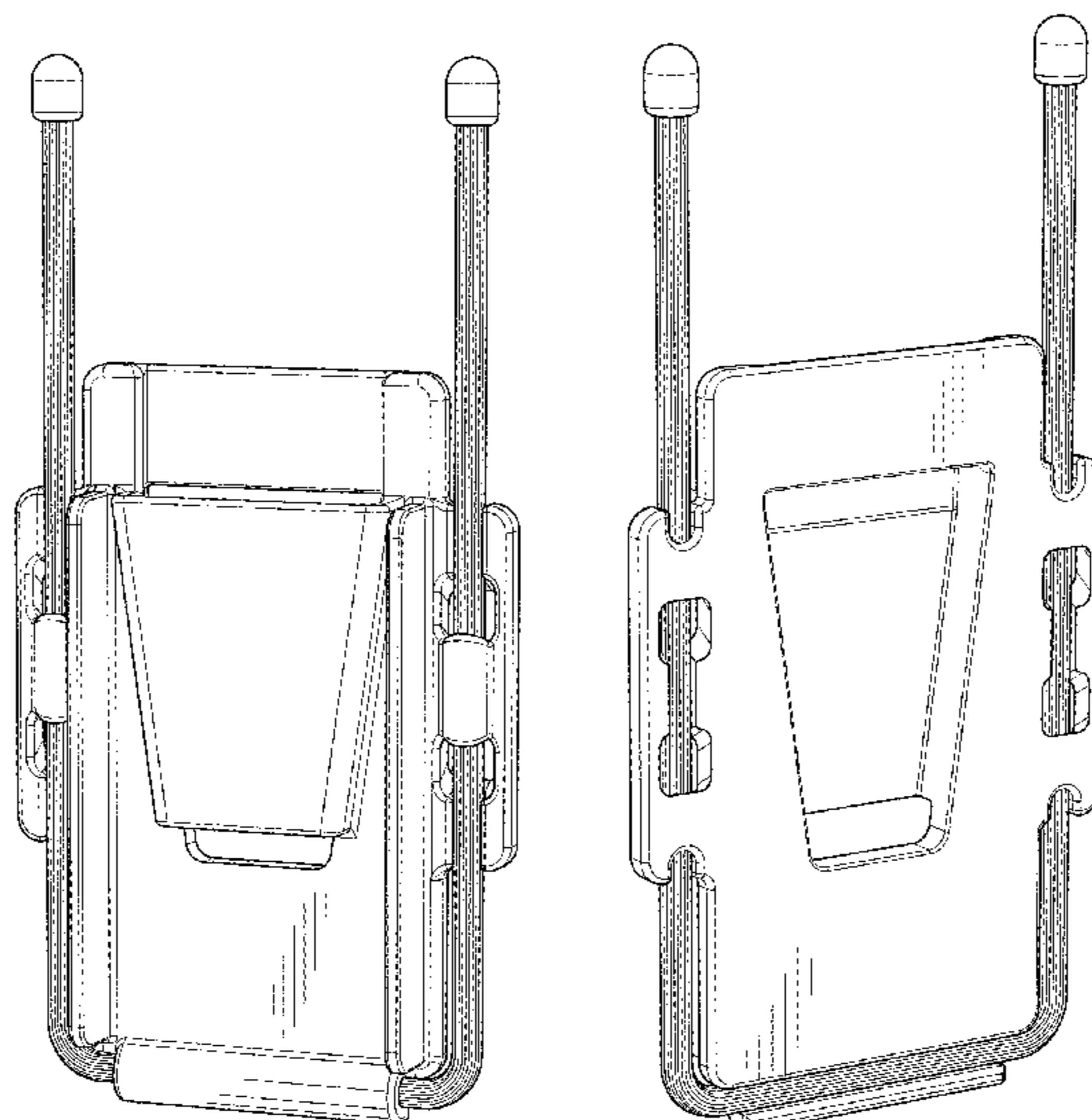
(57) **CLAIM**

The ornamental design for a carrying case receiver, as shown and described.

DESCRIPTION

FIG. 1 is a front perspective view of one embodiment of a carrying case receiver;
FIG. 2 is a back perspective view of the carrying case receiver of FIG. 1;
FIG. 3 is a front view of the carrying case receiver of FIG. 1;
FIG. 4 is a back view of the carrying case receiver of FIG. 1;
FIG. 5 is a left side view of the carrying case receiver of FIG. 1;
FIG. 6 is a right side view of the carrying case receiver of FIG. 1;
FIG. 7 is a top view of the carrying case receiver of FIG. 1;
and,
FIG. 8 is a bottom view of the carrying case receiver of FIG. 1.

1 Claim, 6 Drawing Sheets



(56)

References Cited

U.S. PATENT DOCUMENTS

3,947,927 A 4/1976 Rosenthal
 3,960,302 A 6/1976 Mazzoni, Jr.
 4,015,762 A 4/1977 Mendillo
 4,120,437 A 10/1978 Hara
 D250,631 S * 12/1978 Stephenson D8/373
 4,463,885 A 8/1984 Ball et al.
 4,483,470 A 11/1984 Cousins
 4,484,378 A 11/1984 Kimura et al.
 4,488,748 A 12/1984 Burkes
 4,531,661 A 7/1985 Santy
 D280,180 S * 8/1985 Burt D8/394
 4,540,006 A 9/1985 Collis
 4,553,779 A 11/1985 Shortridge
 4,641,454 A 2/1987 Ray et al.
 4,648,414 A 3/1987 Fox et al.
 4,666,417 A 5/1987 Hillman
 4,699,303 A * 10/1987 Kline 224/667
 4,753,355 A 6/1988 Hall et al.
 4,761,053 A 8/1988 Cogelia et al.
 4,817,837 A 4/1989 Grover
 4,834,118 A 5/1989 Goeller
 4,856,689 A 8/1989 Shore
 4,867,478 A 9/1989 Anderson
 D304,270 S * 10/1989 Goldman D6/462
 4,915,996 A 4/1990 Curry
 D310,909 S 10/1990 Bradtl
 D317,611 S * 6/1991 Poe D14/224
 5,054,299 A 10/1991 Maveety
 5,056,820 A 10/1991 Des Prez
 D323,826 S * 2/1992 Suzuki et al. D14/137
 5,104,017 A 4/1992 Vandagriff
 5,190,336 A 3/1993 Palz
 5,199,135 A 4/1993 Gold
 5,234,370 A 8/1993 Shapero et al.
 5,310,376 A 5/1994 Mayuzumi et al.
 5,437,401 A 8/1995 Seltzer
 5,468,036 A 11/1995 Brown
 5,498,190 A 3/1996 Ganson
 D372,358 S * 8/1996 Mathison D3/247
 5,590,422 A 1/1997 Henderson
 5,664,589 A 9/1997 Black
 5,714,211 A 2/1998 Zinbarg et al.
 5,769,994 A 6/1998 Booz et al.
 5,787,361 A * 7/1998 Chen 455/575.1
 D399,021 S 9/1998 Lam
 5,853,212 A 12/1998 Daniel
 5,916,006 A 6/1999 Ganson
 5,944,080 A * 8/1999 Podwika 150/147
 D425,226 S 5/2000 Galli
 6,113,170 A 9/2000 Daniel
 6,114,036 A 9/2000 Rinehart et al.
 D433,642 S * 11/2000 Bauman D10/104.1
 6,206,542 B1 3/2001 Case et al.
 6,237,740 B1 5/2001 Weatherall et al.
 6,332,052 B1 12/2001 Luther et al.
 D455,419 S * 4/2002 Inoue D14/235
 6,372,344 B1 4/2002 Castellani et al.
 6,705,497 B1 * 3/2004 Schuett 224/247
 D499,546 S * 12/2004 Smithers D3/218
 6,848,663 B2 2/2005 Olive
 7,011,879 B1 3/2006 Contreras et al.
 D523,022 S * 6/2006 Peng D14/496

7,123,801 B2 10/2006 Fitz
 D533,994 S * 12/2006 Hussaini et al. D3/218
 7,192,069 B1 3/2007 Daniel
 7,250,213 B2 7/2007 Duncan
 7,357,540 B2 4/2008 Booty, Jr.
 7,377,828 B2 5/2008 Cheung
 D570,844 S * 6/2008 Liu et al. D14/433
 D579,009 S * 10/2008 Su et al. D14/230
 D580,437 S * 11/2008 Kiyomiya et al. D14/358
 D587,708 S * 3/2009 Yoshida et al. D14/358
 D588,735 S 3/2009 Woodard
 D591,044 S * 4/2009 Lakhiani D3/249
 7,516,575 B2 * 4/2009 Cuccurullo 52/20
 D592,341 S 5/2009 Fan
 D600,852 S 9/2009 Clepper et al.
 D606,739 S * 12/2009 Fahrendorff et al. D3/218
 D609,853 S 2/2010 Salatto-Rose
 D622,429 S 8/2010 Jones
 D629,404 S * 12/2010 Wu et al. D14/434
 D630,936 S * 1/2011 Carney D8/382
 D631,058 S * 1/2011 Chin et al. D14/480.7
 7,901,148 B2 * 3/2011 Zunker 396/428
 8,033,678 B2 10/2011 Patterson
 D660,857 S * 5/2012 Emami D14/480.3
 D669,618 S * 10/2012 Ormsbee et al. D26/62
 D669,619 S * 10/2012 Ormsbee et al. D26/62
 8,316,611 B2 * 11/2012 Ellis et al. 52/664
 D672,735 S * 12/2012 Barley et al. D14/126
 D672,754 S * 12/2012 Inada D14/224
 D675,014 S * 1/2013 Adelman et al. D3/218
 8,356,736 B2 * 1/2013 Musgrave 224/197
 D675,606 S * 2/2013 Adelman et al. D14/250
 D678,755 S * 3/2013 Weidemann et al. D8/382
 D679,701 S * 4/2013 Adelman et al. D14/253
 D681,612 S * 5/2013 Palacios D14/238.1
 D684,358 S * 6/2013 Pegg D3/218
 D685,990 S * 7/2013 Zhang D3/218
 2002/0028336 A1 3/2002 Jaccoud
 2002/0118535 A1 8/2002 Nostrant
 2004/0089688 A1 * 5/2004 Perez 224/666
 2005/0035161 A1 * 2/2005 Shioda 224/194
 2005/0093205 A1 5/2005 Martin et al.
 2005/0211357 A1 9/2005 Ren
 2005/0274211 A1 12/2005 Edgman
 2008/0124544 A1 5/2008 Alexander et al.
 2008/0254281 A1 10/2008 Chen et al.
 2009/0000086 A1 1/2009 Bing
 2009/0045310 A1 * 2/2009 Koesema, Jr. 248/316.7
 2009/0095854 A1 4/2009 Forbes et al.
 2009/0140016 A1 6/2009 Case et al.

OTHER PUBLICATIONS

In the US Patent and Trademark Office U.S. Appl. No. 12/247,523 Non-Final Office Action dated Jul. 13, 2011, 9 pages.
 Acor, Acor present Volara 4E, Mar. 2, 2008; <http://acor.com/volara.htm>.
 International Search Report dated Dec. 9, 2011, in related PCT Application No. PCT/US2011/046304, 3 pages.
 Web page illustration from web site illustrating Grip Twist lock and carry device; griptwist.com; Dakota Trading corporation, 2008.
 Web page illustration from web site illustrating reusable silicone coated Sili Twists; www.wrapables.com; Wrapables, 2008.

* cited by examiner

FIG. 1

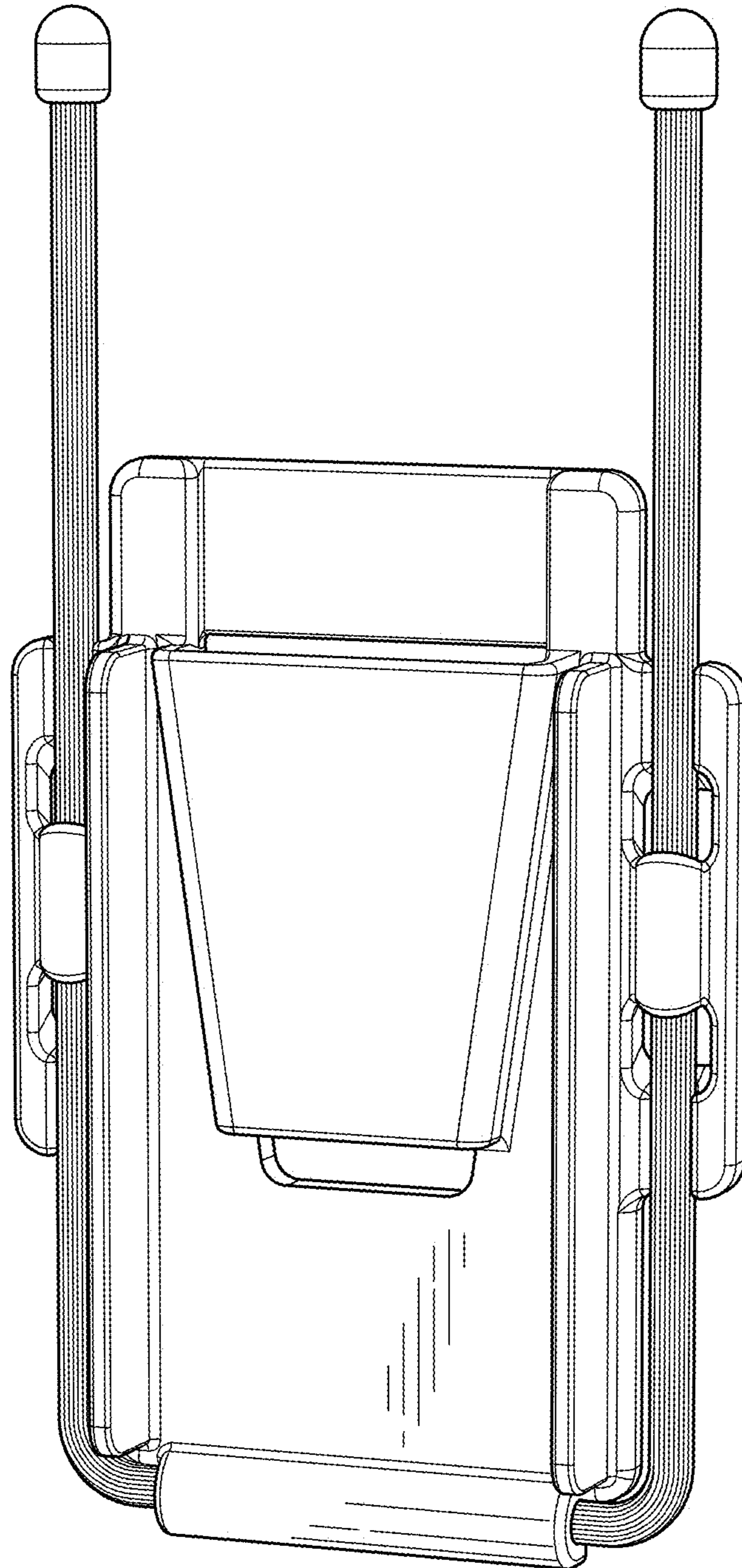


FIG. 2

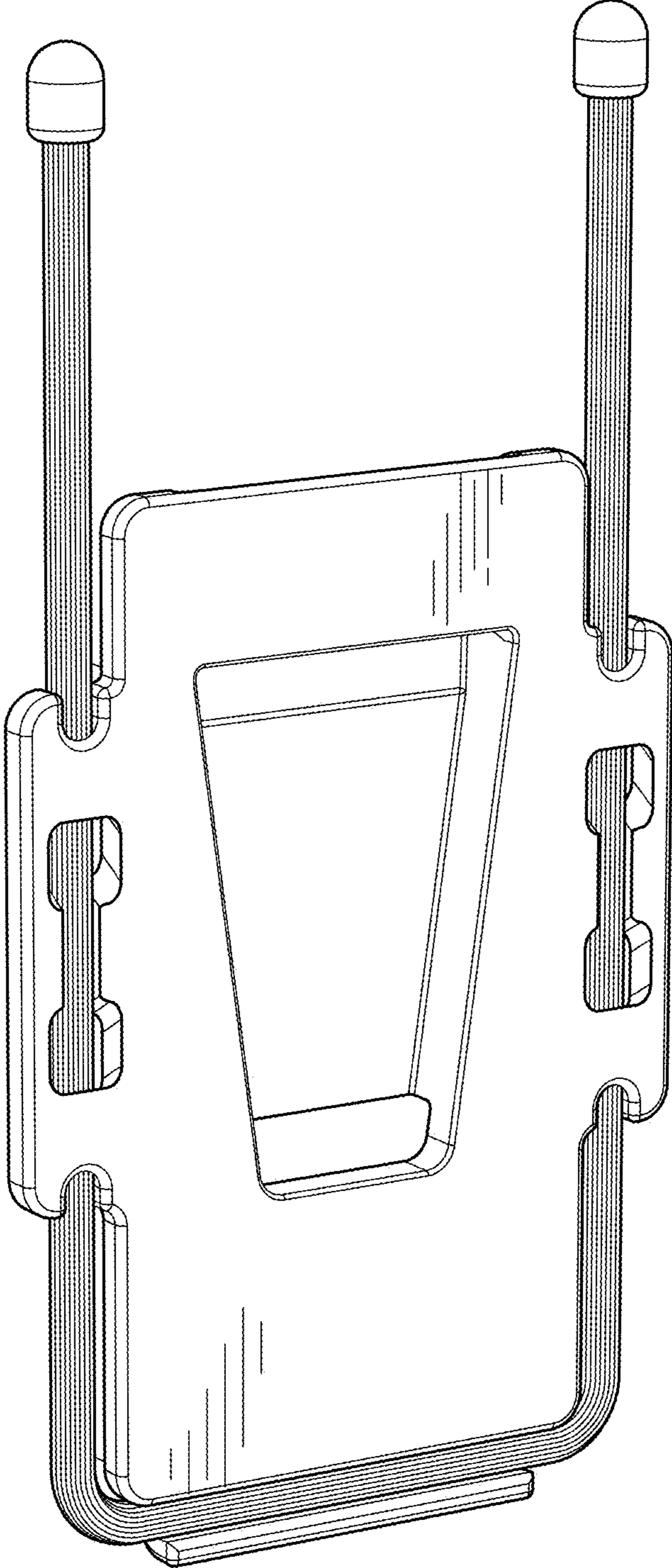


FIG. 3

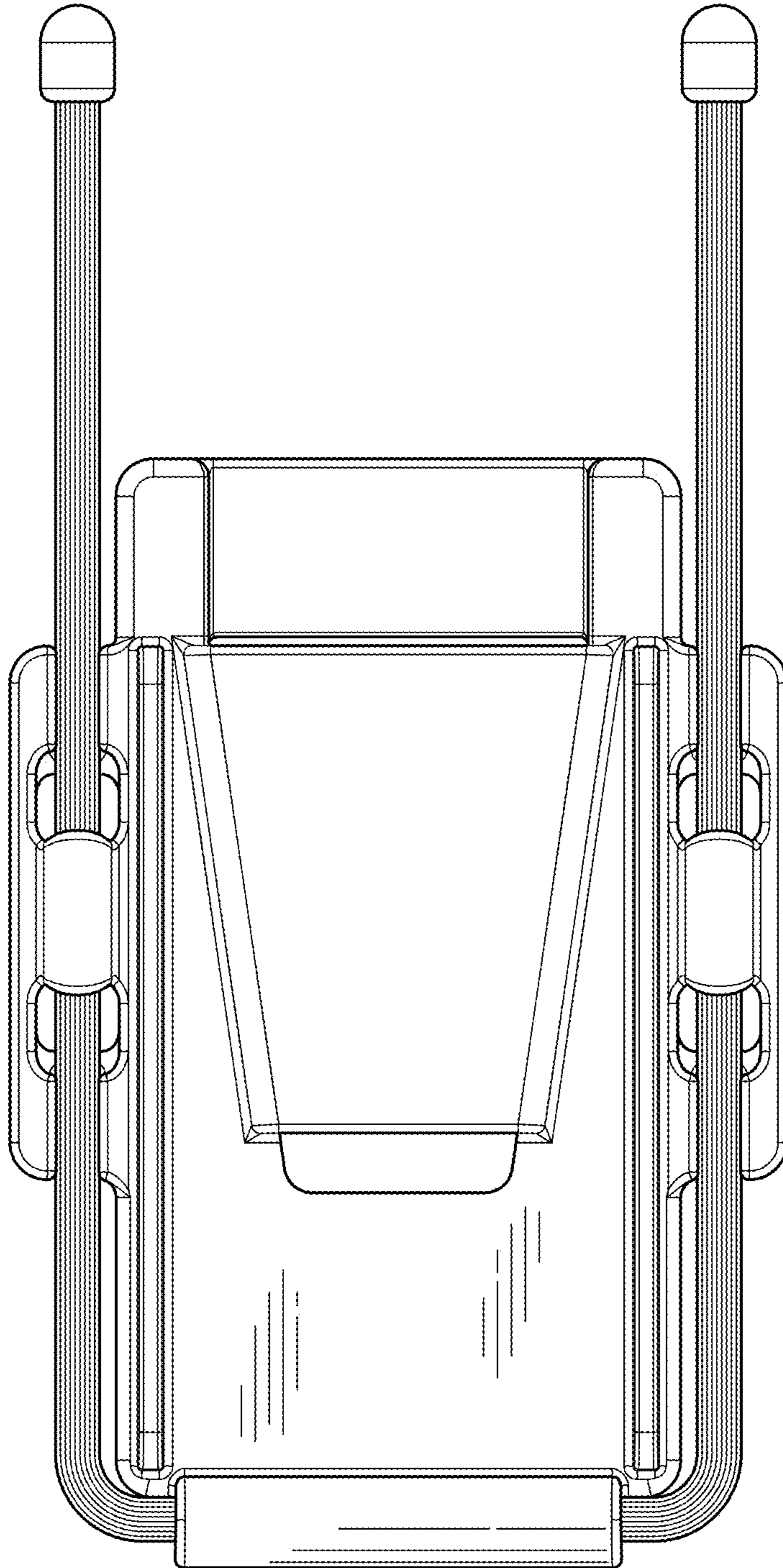


FIG. 4

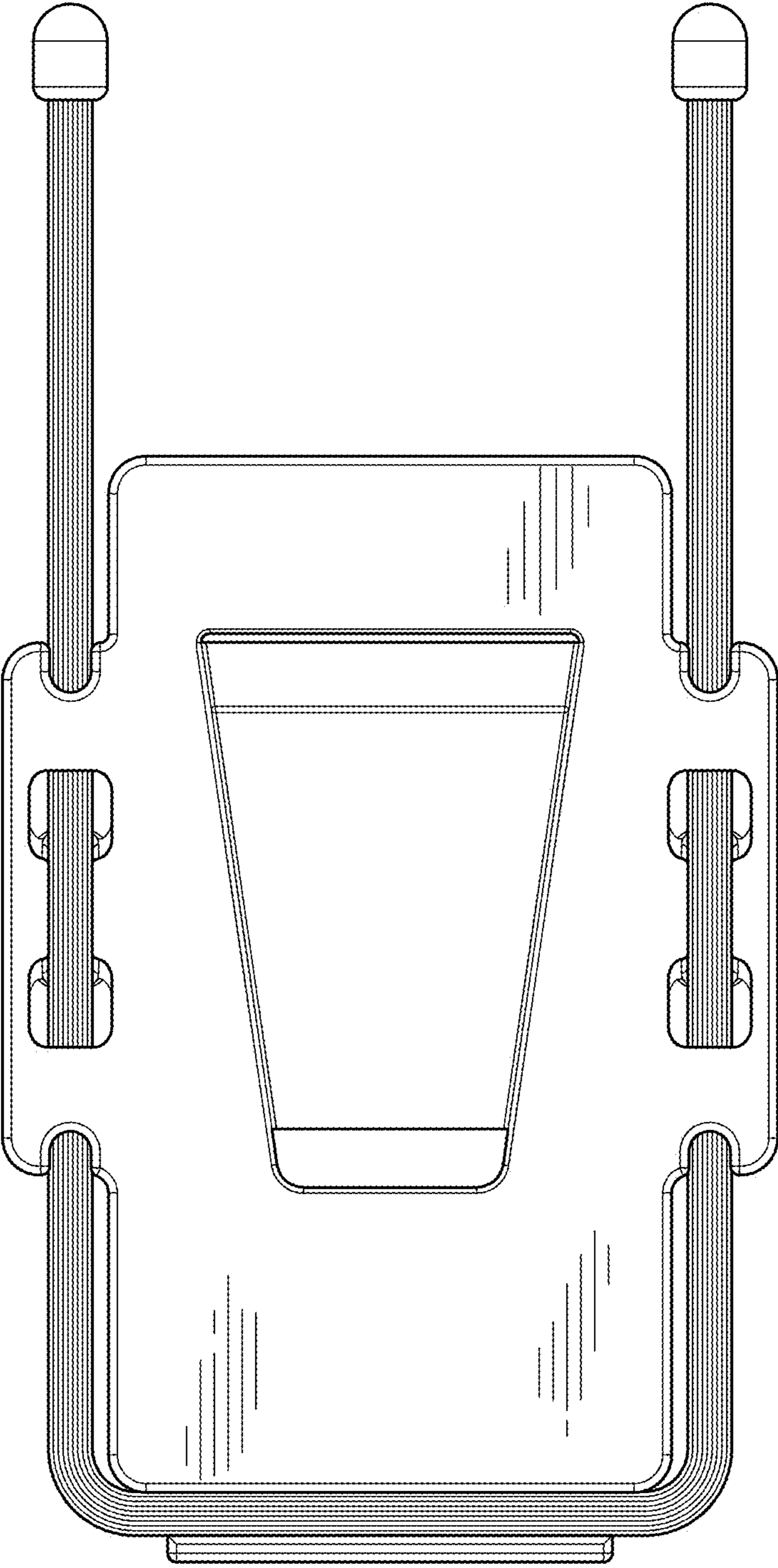


FIG. 5

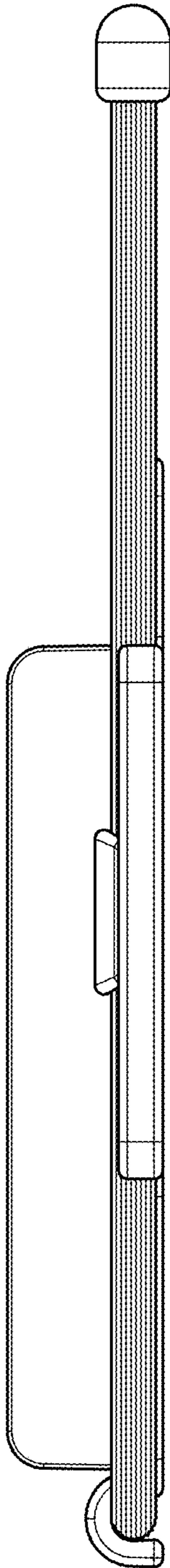


FIG. 6

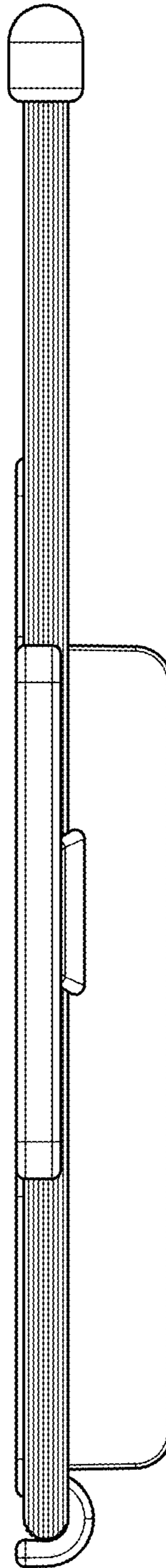


FIG. 7

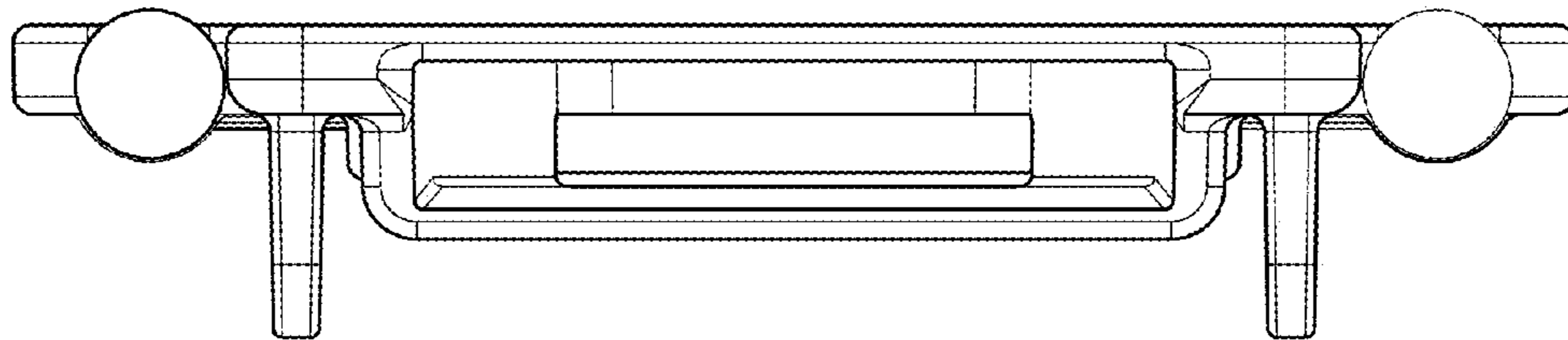


FIG. 8

