



US00D705209S

(12) **United States Design Patent**  
**Feller et al.**

(10) **Patent No.:** **US D705,209 S**

(45) **Date of Patent:** **\*\* May 20, 2014**

(54) **PROTECTIVE CASE FOR MOBILE DEVICES**

(71) Applicant: **NLU Products, L.L.C.**, Draper, UT (US)

(72) Inventors: **Kirk Feller**, Draper, UT (US); **Chris Witham**, Draper, UT (US)

(73) Assignee: **NLU Products, L.L.C.**, Draper, UT (US)

(\*\*) Term: **14 Years**

(21) Appl. No.: **29/452,519**

(22) Filed: **Apr. 17, 2013**

(51) **LOC (10) Cl.** ..... **14-03**

(52) **U.S. Cl.**  
USPC ..... **D14/250**

(58) **Field of Classification Search**  
USPC ..... D14/250–253, 440, 203.3–203.7, 217, D14/496, 248, 238.1, 240, 447, 341–347, D14/444; D13/103, 107–108, 119; D3/201, D3/218, 247, 269, 273, 301, 303; 248/309.1, 371, 176.3, 668; 361/679.56, 679.3, 679.25, 816; 379/426, 433.11, 455; 455/575.1, 455/575.8; 206/305, 320; 320/108, 115; 429/96; 220/4.02; 150/165

See application file for complete search history.

(56) **References Cited**

**U.S. PATENT DOCUMENTS**

D324,305 S *	3/1992	Prey	.....	D3/247
6,646,864 B2	11/2003	Richardson		
6,772,879 B1 *	8/2004	Domotor	.....	206/45.23
6,995,976 B2	2/2006	Richardson		
D530,079 S	10/2006	Thomas et al.		
7,180,735 B2	2/2007	Thomas et al.		
7,230,823 B2	6/2007	Richardson et al.		
D550,455 S *	9/2007	Barnhart	.....	D3/247
D551,446 S *	9/2007	Elnkaveh	.....	D3/249

7,312,984 B2	12/2007	Richardson et al.		
D559,532 S *	1/2008	Kwak et al.	.....	D3/218
D565,840 S *	4/2008	Kwak	.....	D3/218
7,449,650 B2	11/2008	Richardson et al.		
D593,319 S	6/2009	Richardson		
D593,746 S	6/2009	Richardson et al.		
D597,301 S	8/2009	Richardson et al.		
D601,959 S *	10/2009	Lee et al.	.....	D13/119
D601,960 S *	10/2009	Dai	.....	D13/119
7,609,512 B2	10/2009	Richardson et al.		
7,663,879 B2	2/2010	Richardson et al.		
7,688,580 B2	3/2010	Richardson et al.		
D613,282 S	4/2010	Richardson et al.		
D615,535 S	5/2010	Richardson et al.		

(Continued)

*Primary Examiner* — Carla Jobe Wright

(74) *Attorney, Agent, or Firm* — Thorpe North & Western LLP

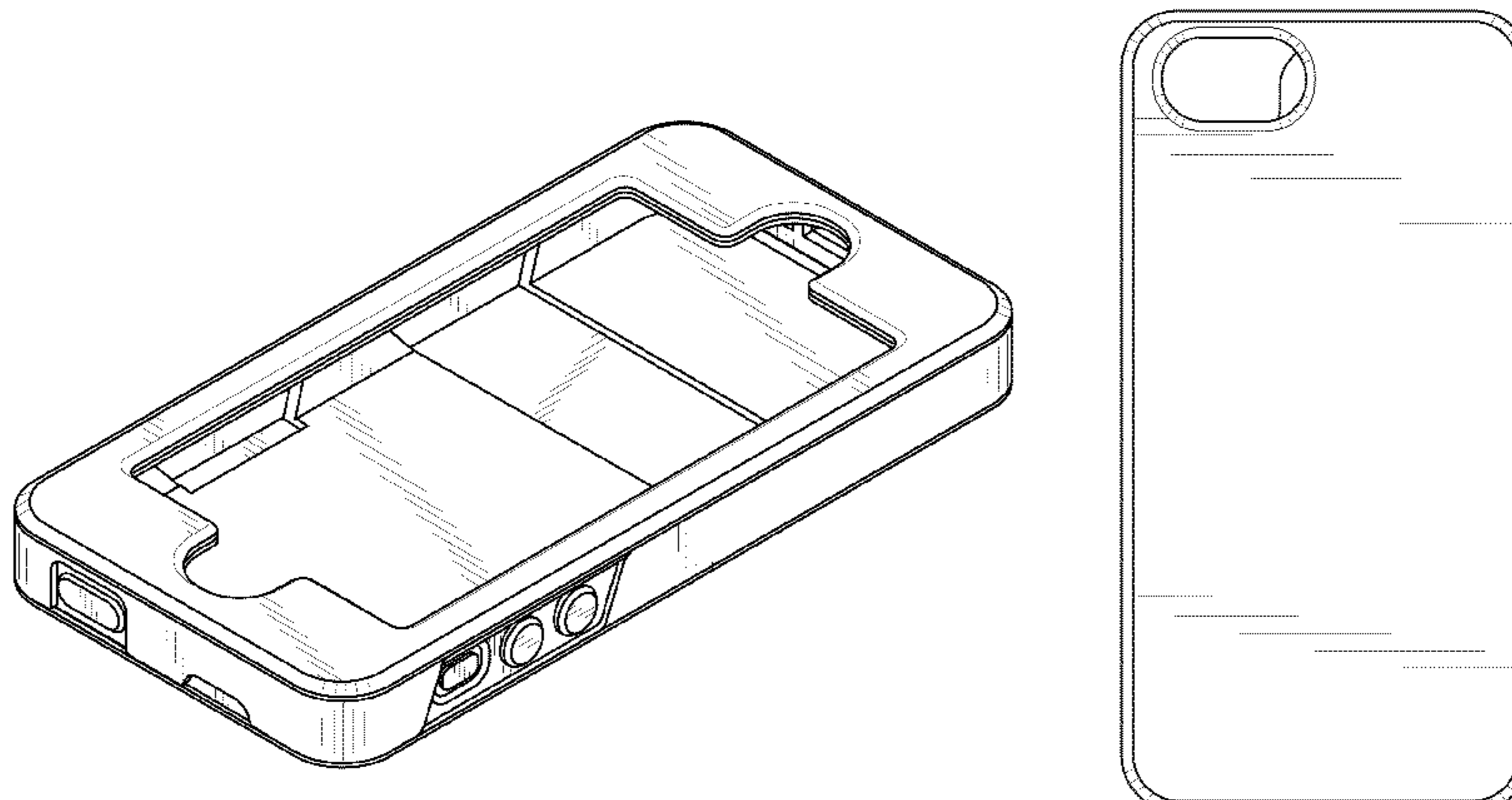
(57) **CLAIM**

The ornamental design for a protective case for mobile devices, as shown and described.

**DESCRIPTION**

FIG. 1 is a top left perspective view of the protective case for mobile devices in accordance with my invention;  
 FIG. 2 is a bottom right perspective view thereof;  
 FIG. 3 is a front view thereof;  
 FIG. 4 is a back view thereof;  
 FIG. 5 is a top view thereof;  
 FIG. 6 is a bottom view thereof;  
 FIG. 7 is a left view thereof, taken from the left side of FIG. 3;  
 FIG. 8 is a right view thereof, taken from the right side of FIG. 3;  
 FIG. 9 is a front perspective view of the protective case for mobile devices in an open position;  
 FIG. 10 is a back perspective view of the protective case for mobile devices in an open position; and,  
 FIG. 11 is an inside plan view of the protective case for mobile devices in an open position.

**1 Claim, 6 Drawing Sheets**



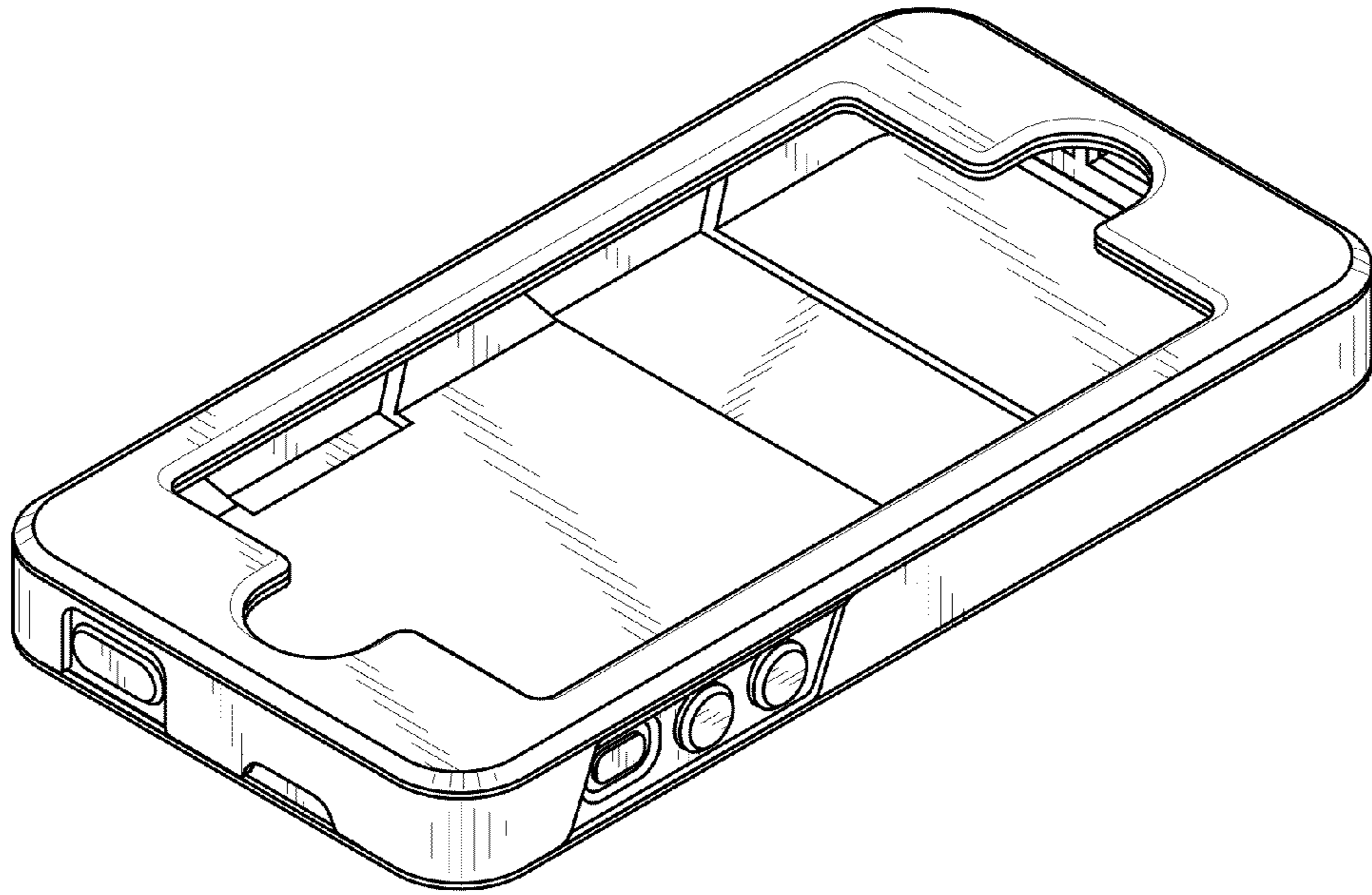
(56)

References Cited

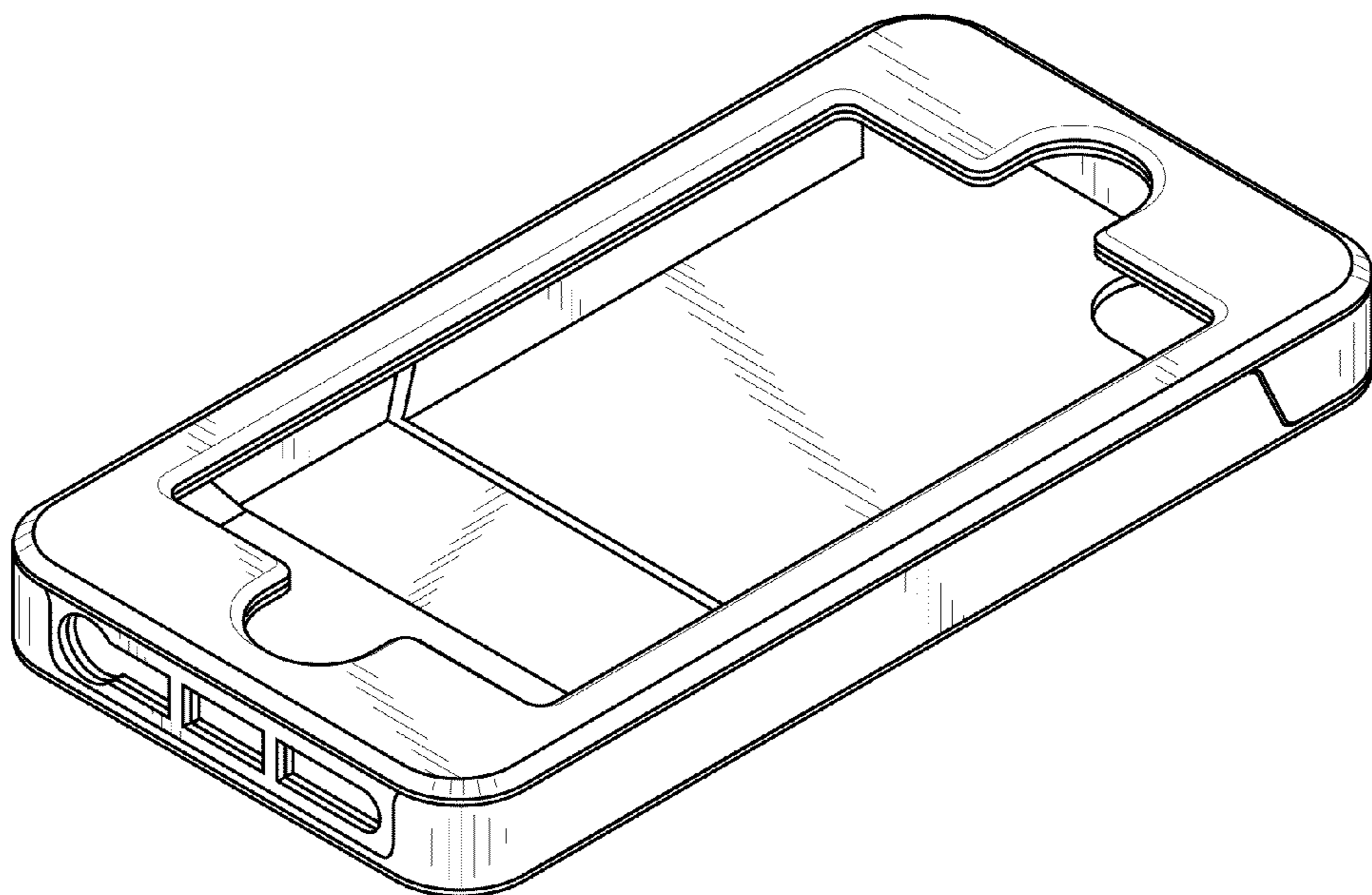
U.S. PATENT DOCUMENTS

D615,536 S	5/2010	Richardson et al.	D649,537 S	11/2011	Magness et al.
D617,784 S	6/2010	Richardson et al.	D650,371 S	12/2011	Wibby et al.
D619,356 S *	7/2010	Hillman ..... D3/218	D651,203 S	12/2011	Michie et al.
D619,574 S	7/2010	Richardson et al.	D651,204 S	12/2011	Wibby et al.
D626,120 S	10/2010	Richardson et al.	D651,594 S	1/2012	Melanson et al.
D626,121 S	10/2010	Richardson et al.	D654,483 S	2/2012	Richardson et al.
D632,686 S	2/2011	Magness et al.	D654,484 S	2/2012	Chang et al.
7,889,489 B2	2/2011	Richardson et al.	D654,485 S	2/2012	Chang et al.
D634,741 S	3/2011	Richardson et al.	D654,486 S	2/2012	Chang et al.
7,907,394 B2	3/2011	Richardson et al.	D654,489 S	2/2012	Weller et al.
D636,386 S	4/2011	Richardson et al.	D662,924 S	7/2012	Melanson et al.
D636,387 S	4/2011	Willes et al.	D663,296 S	7/2012	Melanson et al.
7,933,122 B2	4/2011	Richardson et al.	D668,045 S *	10/2012	Robbins et al. .... D3/269
D637,589 S	5/2011	Willes et al.	D673,539 S	1/2013	Magness et al.
D637,590 S	5/2011	Michie et al.	D673,545 S	1/2013	Magness et al.
D637,591 S	5/2011	Willes et al.	D673,547 S	1/2013	Melanson et al.
D637,592 S	5/2011	Magness et al.	D673,548 S	1/2013	Weller et al.
D638,005 S	5/2011	Richardson et al.	D673,550 S	1/2013	Magness et al.
D638,411 S	5/2011	Willes et al.	D673,552 S	1/2013	Weller et al.
D638,413 S	5/2011	Magness et al.	D673,553 S	1/2013	Weller et al.
D638,828 S	5/2011	Melanson et al.	D673,938 S	1/2013	Weller et al.
D638,829 S	5/2011	Melanson et al.	D673,939 S	1/2013	Chang et al.
D640,679 S	6/2011	Willes et al.	D673,940 S	1/2013	Chang et al.
D640,680 S	6/2011	Magness et al.	D673,941 S	1/2013	Melanson et al.
D641,013 S	7/2011	Richardson et al.	D673,942 S	1/2013	Magness et al.
D641,014 S	7/2011	Smith et al.	8,380,264 B2 *	2/2013	Hung et al. .... 455/575.8
D642,170 S	7/2011	Johnson et al.	D679,270 S *	4/2013	Eicher ..... D14/250
D642,171 S	7/2011	Melanson et al.	D684,960 S *	6/2013	Murchison et al. .... D14/250
D642,558 S	8/2011	Magness et al.	D684,961 S *	6/2013	Murchison et al. .... D14/250
D643,422 S	8/2011	Smith et al.	8,457,702 B2 *	6/2013	Lee ..... 455/575.8
D643,424 S	8/2011	Richardson et al.	8,504,126 B1 *	8/2013	Maravilla et al. .... 455/575.1
D643,837 S	8/2011	Smith et al.	2005/0247584 A1 *	11/2005	Lu ..... 206/320
D644,217 S	8/2011	Richardson et al.	2008/0083631 A1 *	4/2008	Tsang et al. .... 206/320
D644,639 S	9/2011	Weller et al.	2009/0314400 A1 *	12/2009	Liu ..... 150/165
			2010/0258463 A1 *	10/2010	Yang et al. .... 206/320
			2013/0157730 A1 *	6/2013	McCormac et al. .... 455/575.8

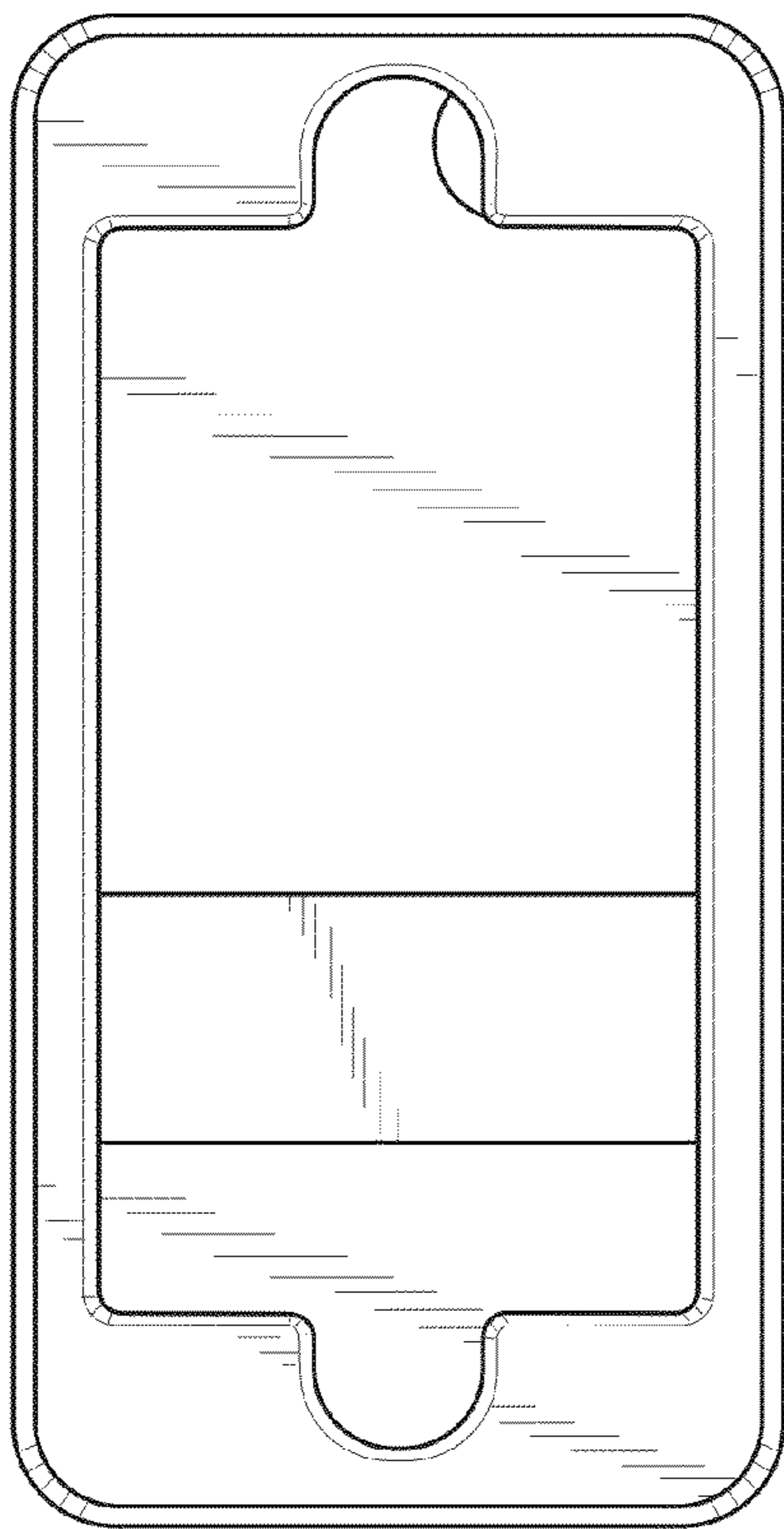
\* cited by examiner



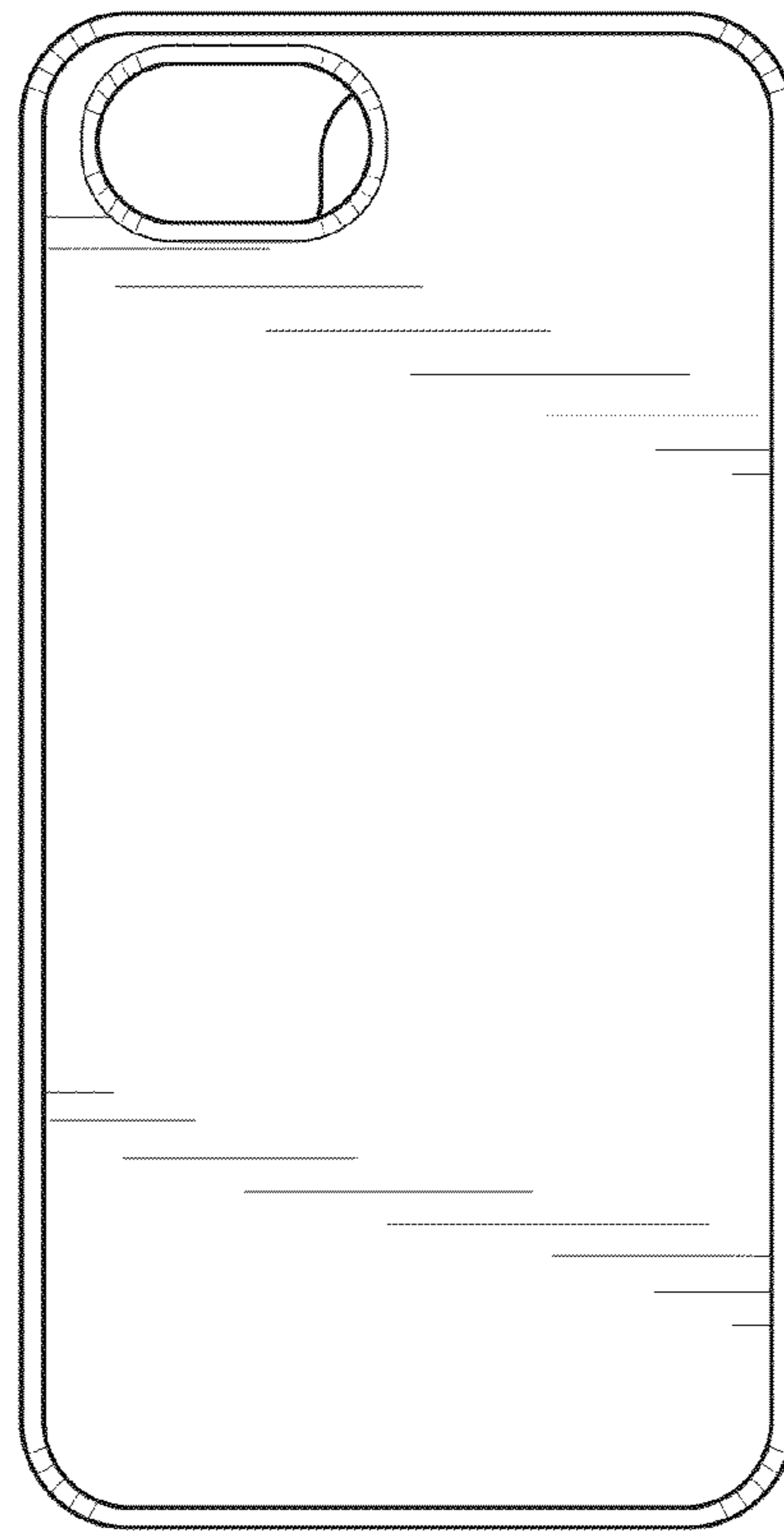
**FIG. 1**



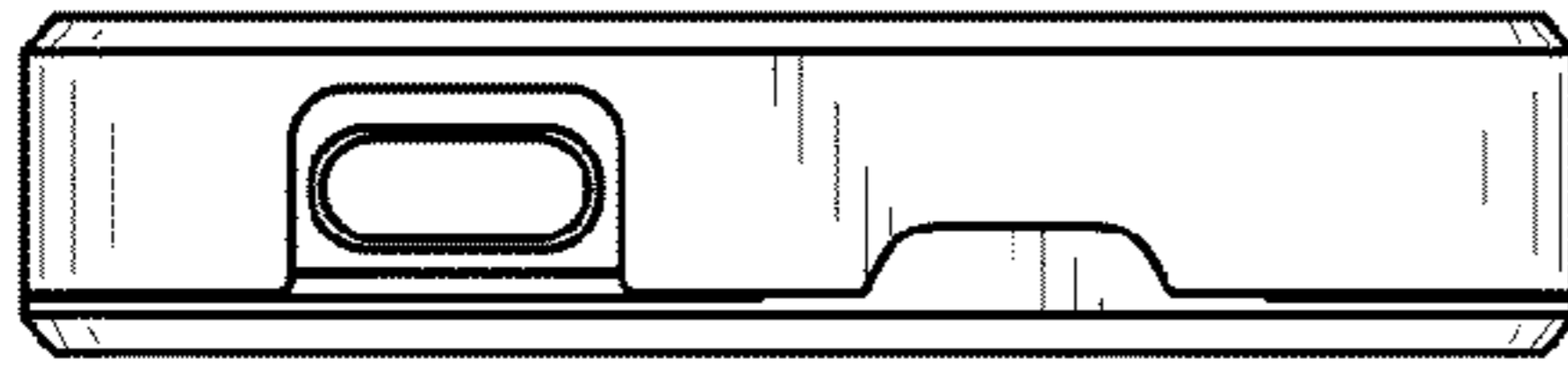
**FIG. 2**



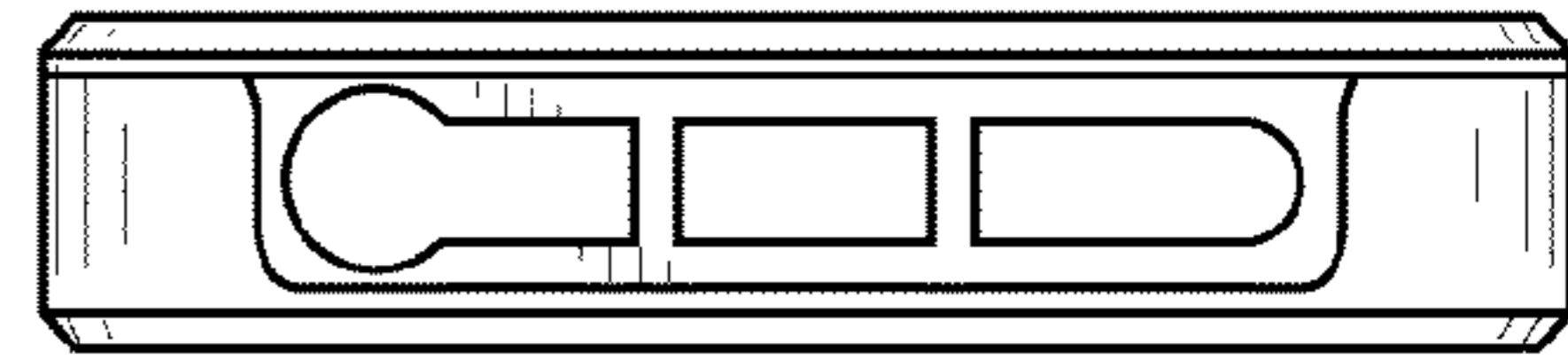
**FIG. 3**



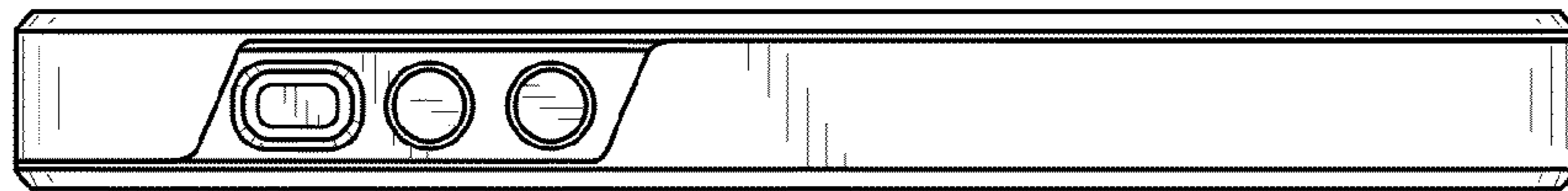
**FIG. 4**



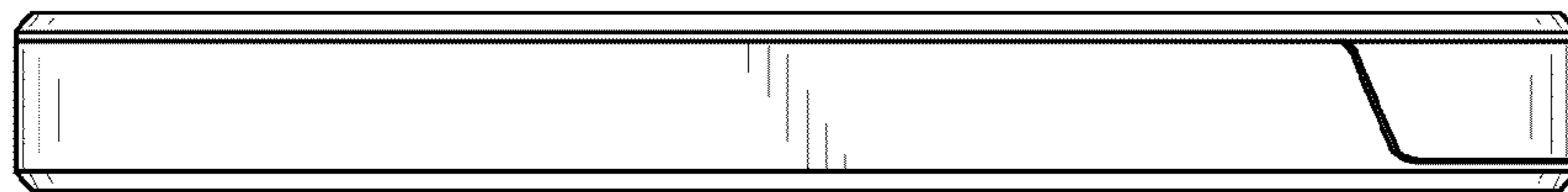
**FIG. 5**



**FIG. 6**



**FIG. 7**



**FIG. 8**

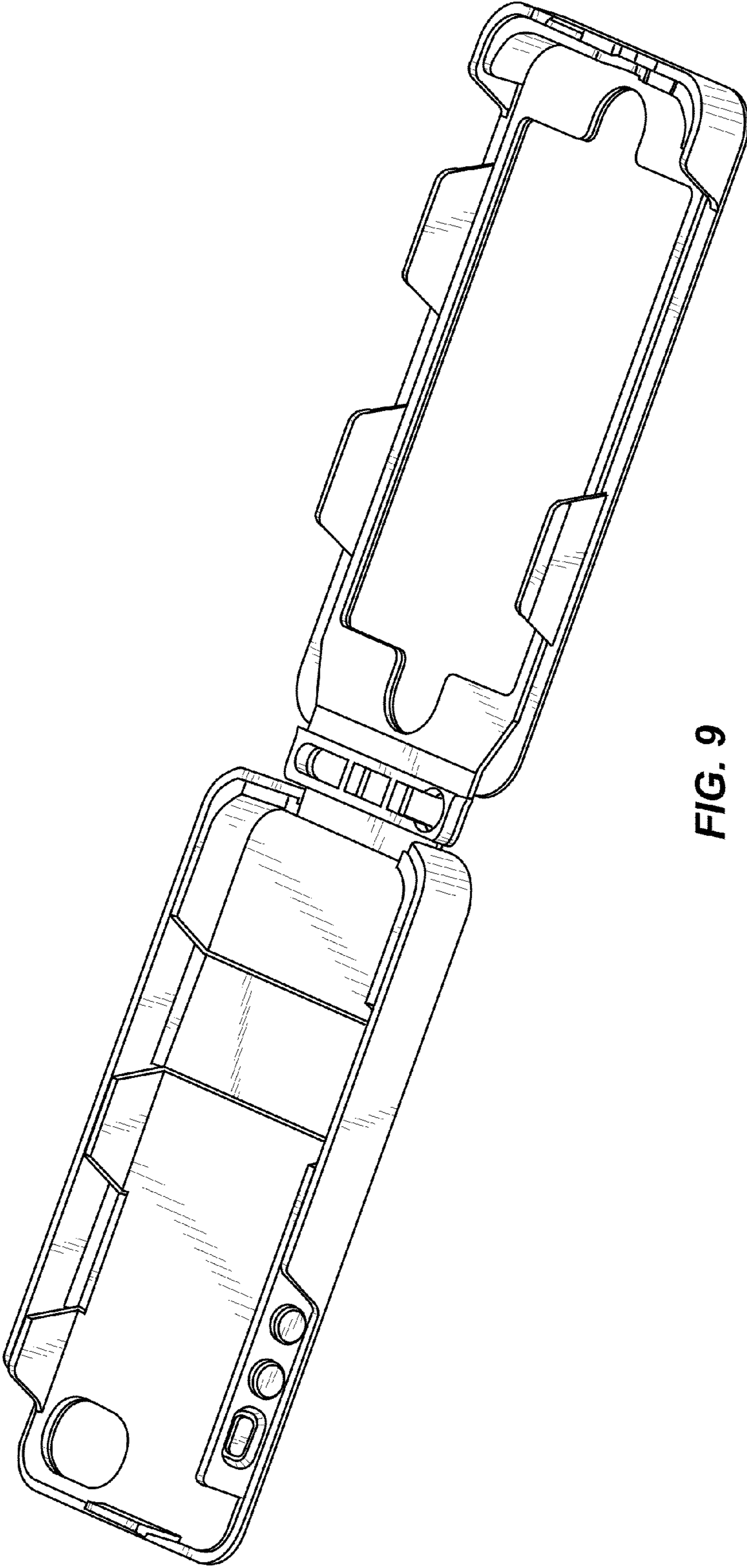


FIG. 9

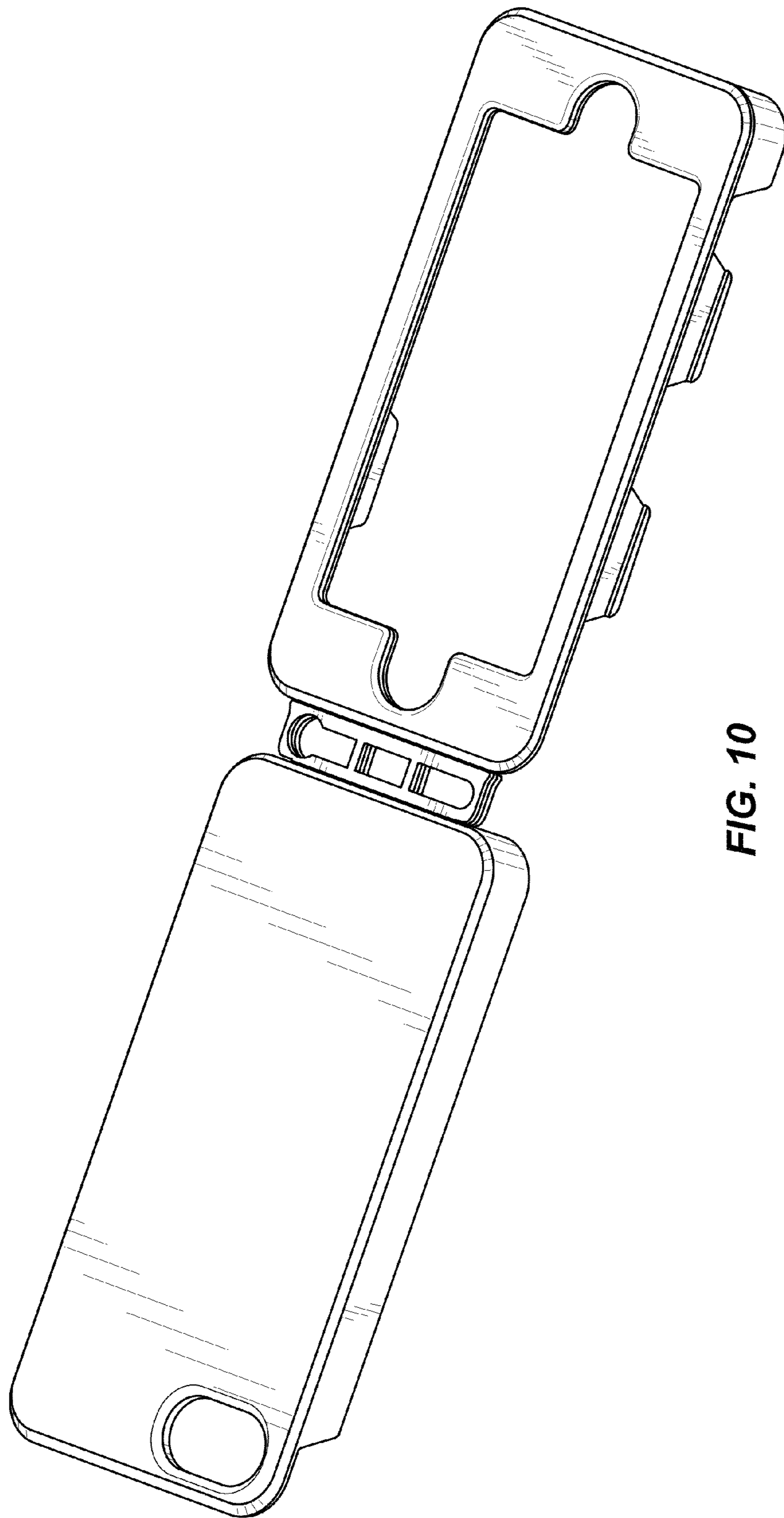
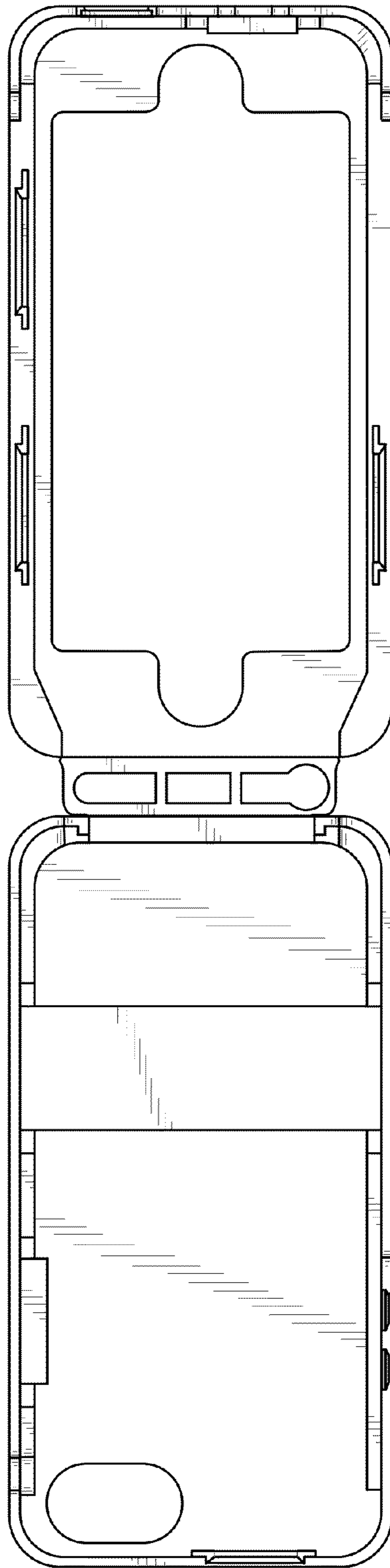


FIG. 10



**FIG. 11**