



US00D705206S

(12) **United States Design Patent**  
**Gengler et al.**

(10) **Patent No.:** **US D705,206 S**

(45) **Date of Patent:** **\*\* May 20, 2014**

(54) **PERIMETER COVER FOR A PORTABLE ELECTRONIC DEVICE**

D647,519 S \* 10/2011 Rothbaum et al. .... D14/250  
D662,928 S 7/2012 Fahrendorff et al.

\* cited by examiner

(75) Inventors: **David P. Gengler**, Draper, UT (US);  
**Arthur D. Healey**, Centerville, UT (US);  
**Terence A. Hulsman**, North Salt Lake, UT (US)

*Primary Examiner* — Randall Gholson

(74) *Attorney, Agent, or Firm* — Durham Jones & Pinegar Intellectual Property Law Group

(73) Assignee: **Zagg Intellectual Property Holding Co., Inc.**, Salt Lake City, UT (US)

(57) **CLAIM**

The ornamental design for a perimeter cover for a portable electronic device, as shown and described.

**DESCRIPTION**

(\*\*) Term: **14 Years**

(21) Appl. No.: **29/410,529**

(22) Filed: **Jan. 9, 2012**

(51) **LOC (10) Cl.** ..... **14-03**

(52) **U.S. Cl.**  
USPC ..... **D14/250**

(58) **Field of Classification Search**

USPC ..... D14/250–253, 440, 203.3–203.7, 217,  
D14/496, 248, 238.1, 240, 447, 138 AA;  
D3/201, 218, 269, 301, 273, 303, 103,  
D3/247; D13/103, 107–108, 119;  
220/4.02; 248/309.1, 371, 176.3, 668;  
361/679.56, 679.3, 679.25, 816;  
379/426, 433.11, 455; 455/575.1,  
455/575.8; 206/305, 320; 345/173

See application file for complete search history.

(56) **References Cited**

**U.S. PATENT DOCUMENTS**

D543,541 S \* 5/2007 Chung et al. .... D3/269  
D574,819 S 8/2008 Andre et al.  
D619,361 S 7/2010 Andre et al.  
7,782,610 B2 \* 8/2010 Diebel et al. .... 361/679.56  
D624,304 S 9/2010 Danze et al.

FIG. 1 is a perspective view of our design for a perimeter cover for a portable electronic device with an unclaimed electronic device shown in broken lines;

FIG. 2 is a top plan view of the perimeter cover for a portable electronic device shown in FIG. 1;

FIG. 3 is a left side view of the perimeter cover for a portable electronic device shown in FIGS. 1 and 2;

FIG. 4 is a front elevation view of the perimeter cover for a portable electronic device shown in FIGS. 1-3;

FIG. 5 is a right side view of the perimeter cover for a portable electronic device shown in FIGS. 1-4;

FIG. 6 is a bottom plan view of the perimeter cover for a portable electronic device shown in FIGS. 1-5;

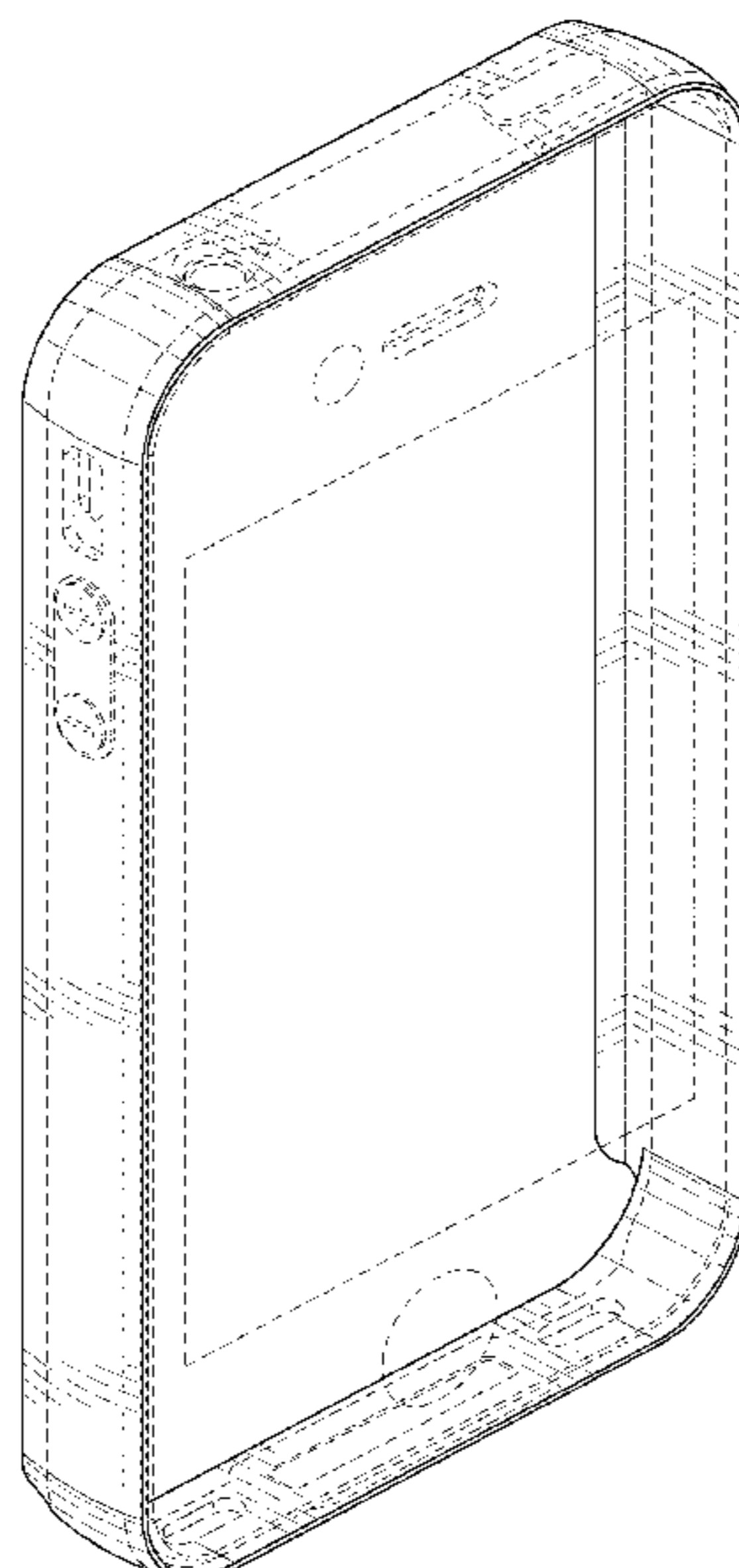
FIG. 7 is a rear elevation view of the perimeter cover for a portable electronic device shown in FIGS. 1-6; and

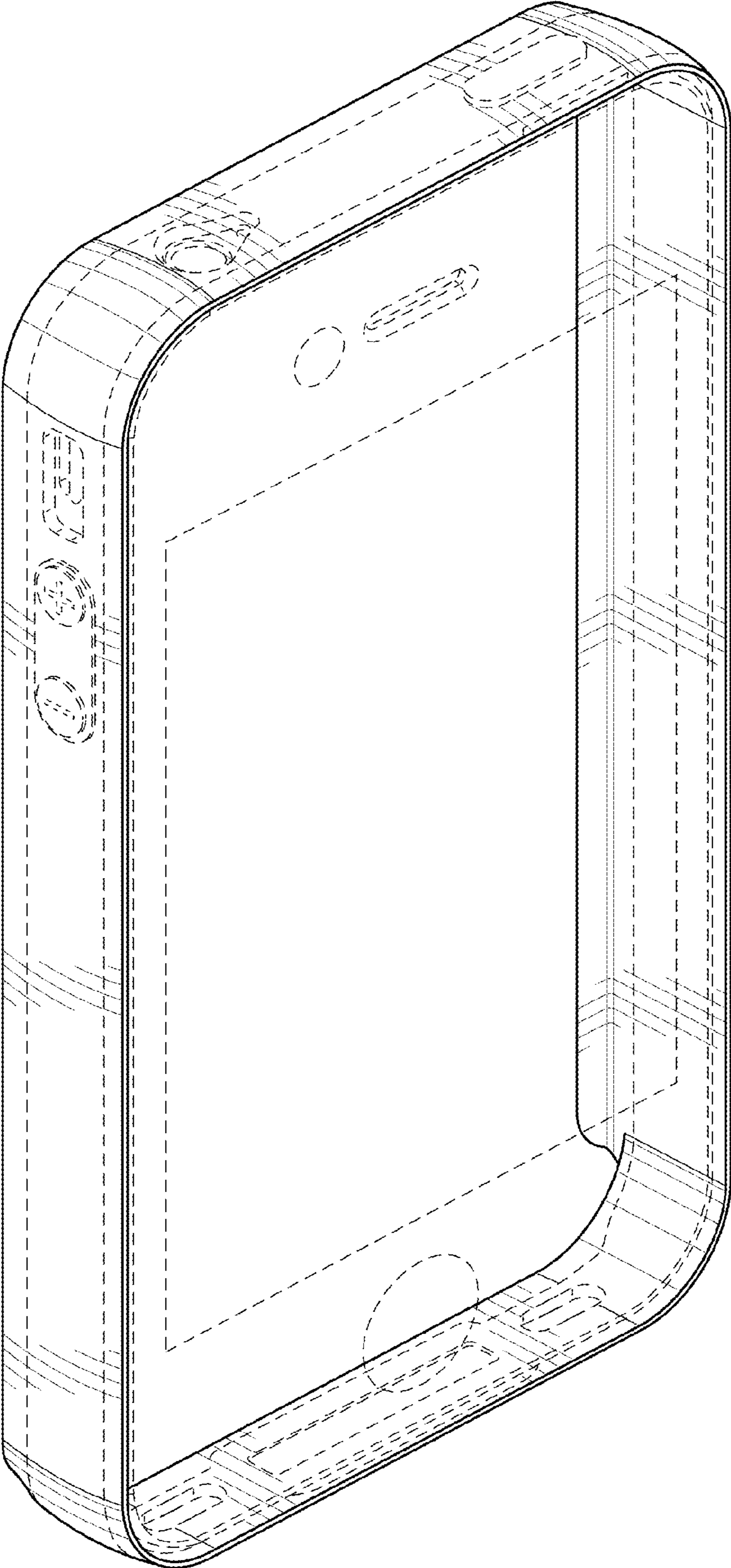
FIG. 8 is a perspective view of the perimeter cover for a portable electronic device shown in FIGS. 1-7 with an unclaimed portable electronic device and unclaimed accessory shown in broken lines; and,

FIG. 9 is a perspective view of the perimeter cover for a portable electronic device shown in FIGS. 1-8 with an unclaimed portable electronic device and unclaimed accessory shown installed therein in broken lines.

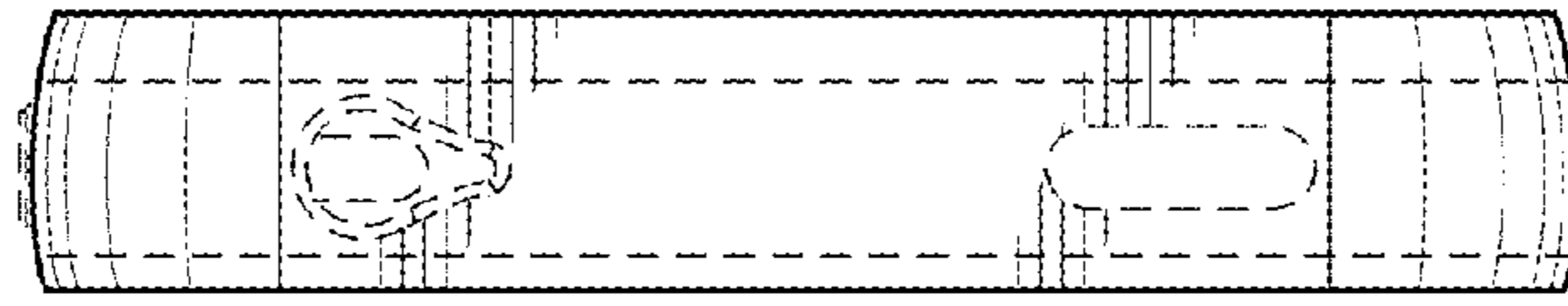
The portions of the drawings shown in broken or phantom lines illustrate environment as well as features of the design that form no part of the claim.

**1 Claim, 5 Drawing Sheets**

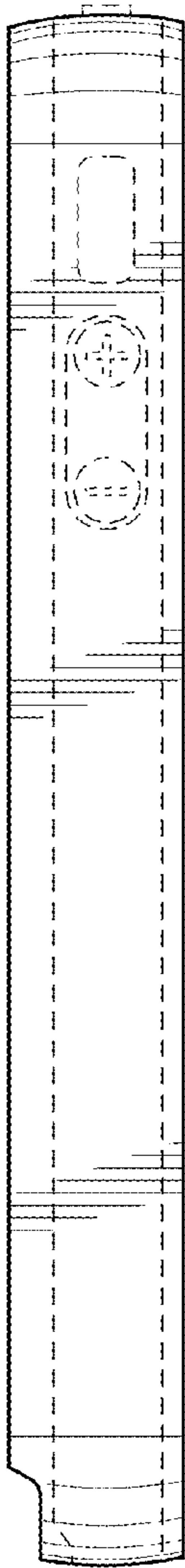




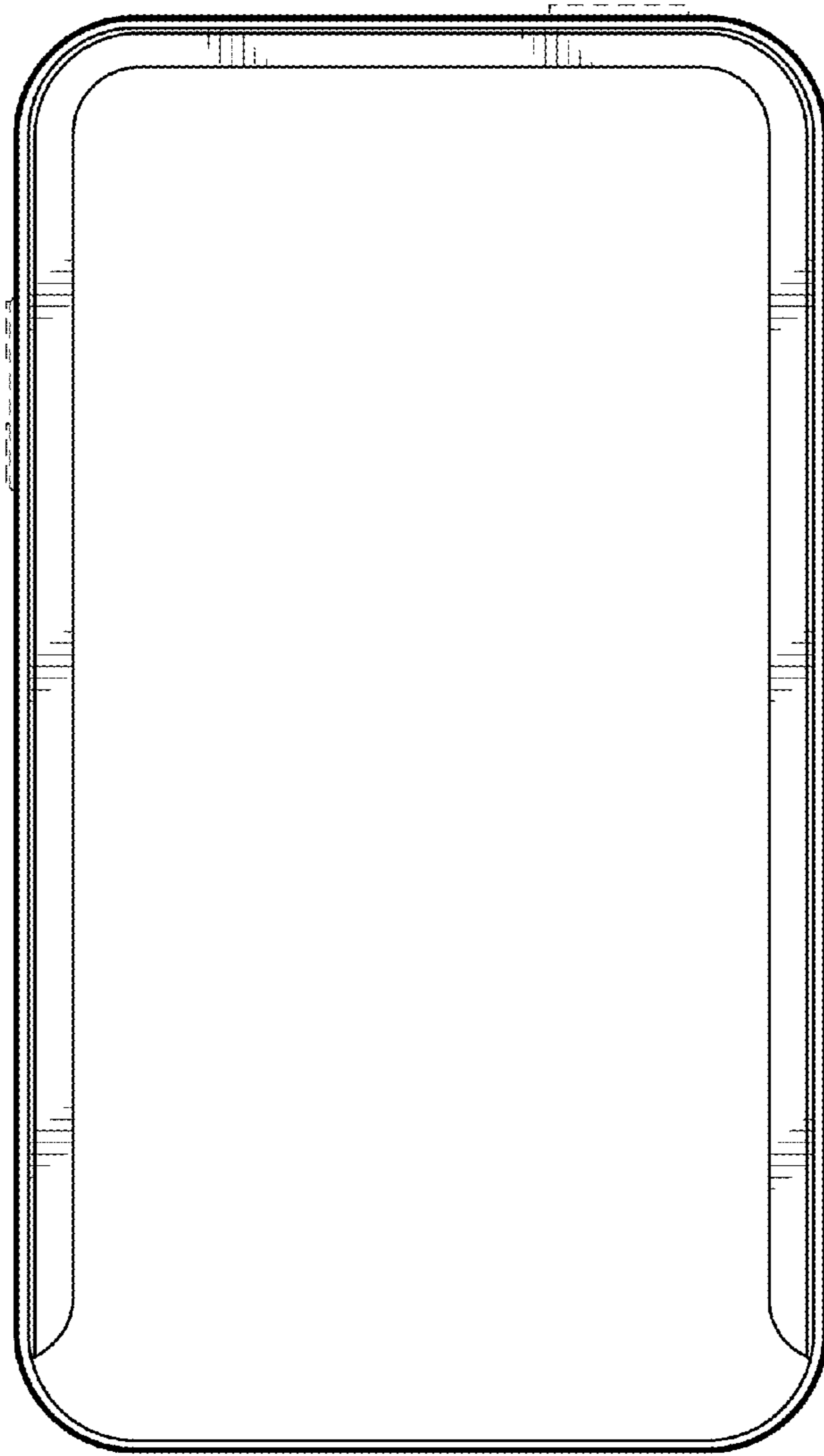
**FIG. 1**



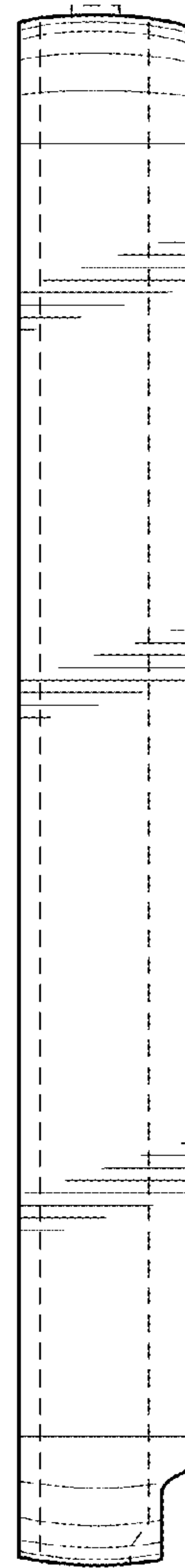
**FIG. 2**



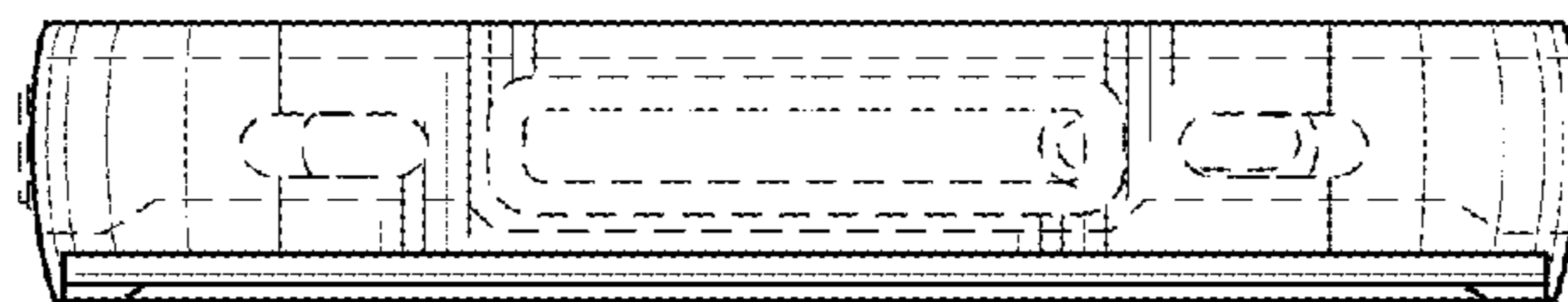
**FIG. 3**



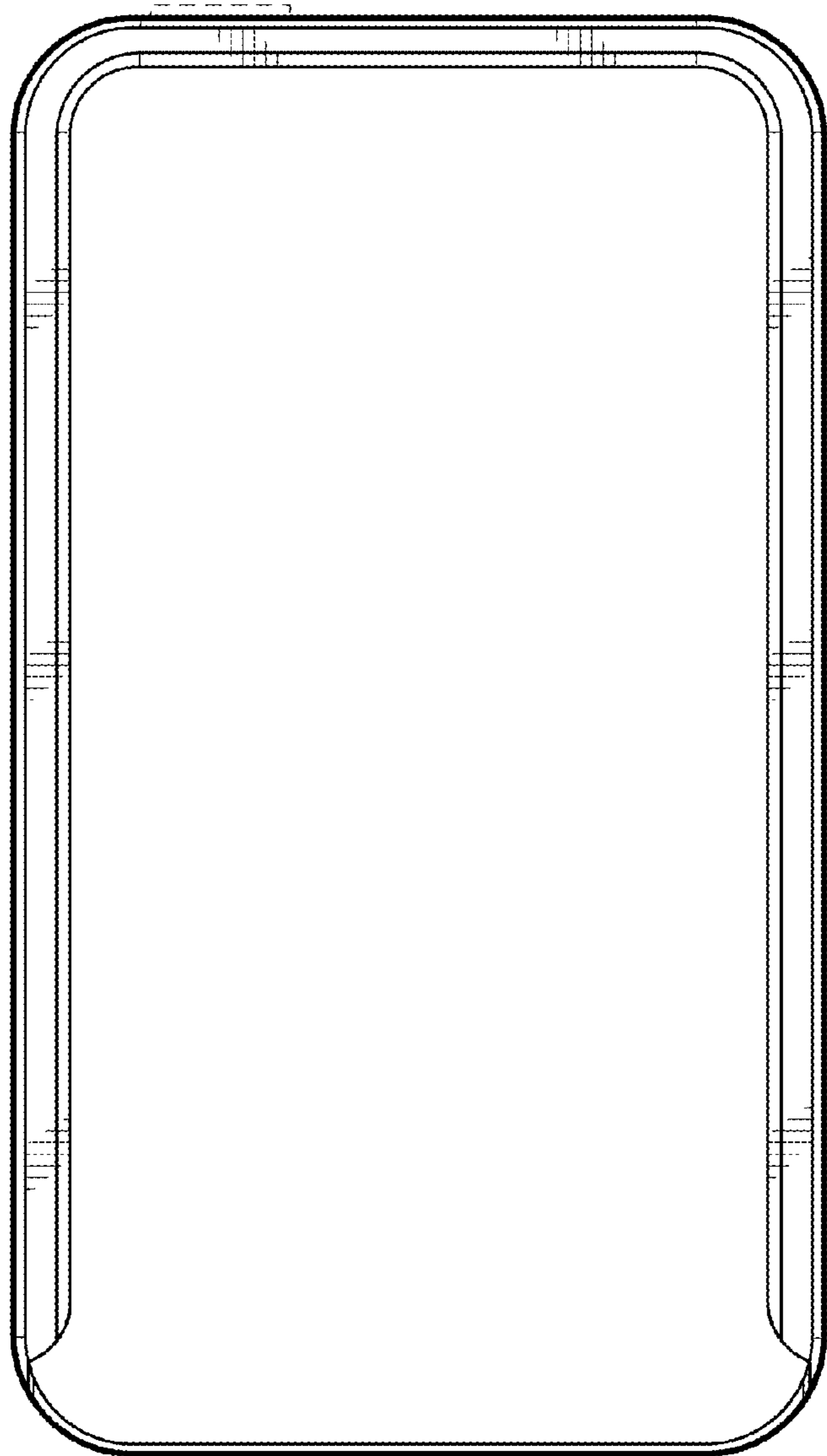
**FIG. 4**



**FIG. 5**



**FIG. 6**



**FIG. 7**

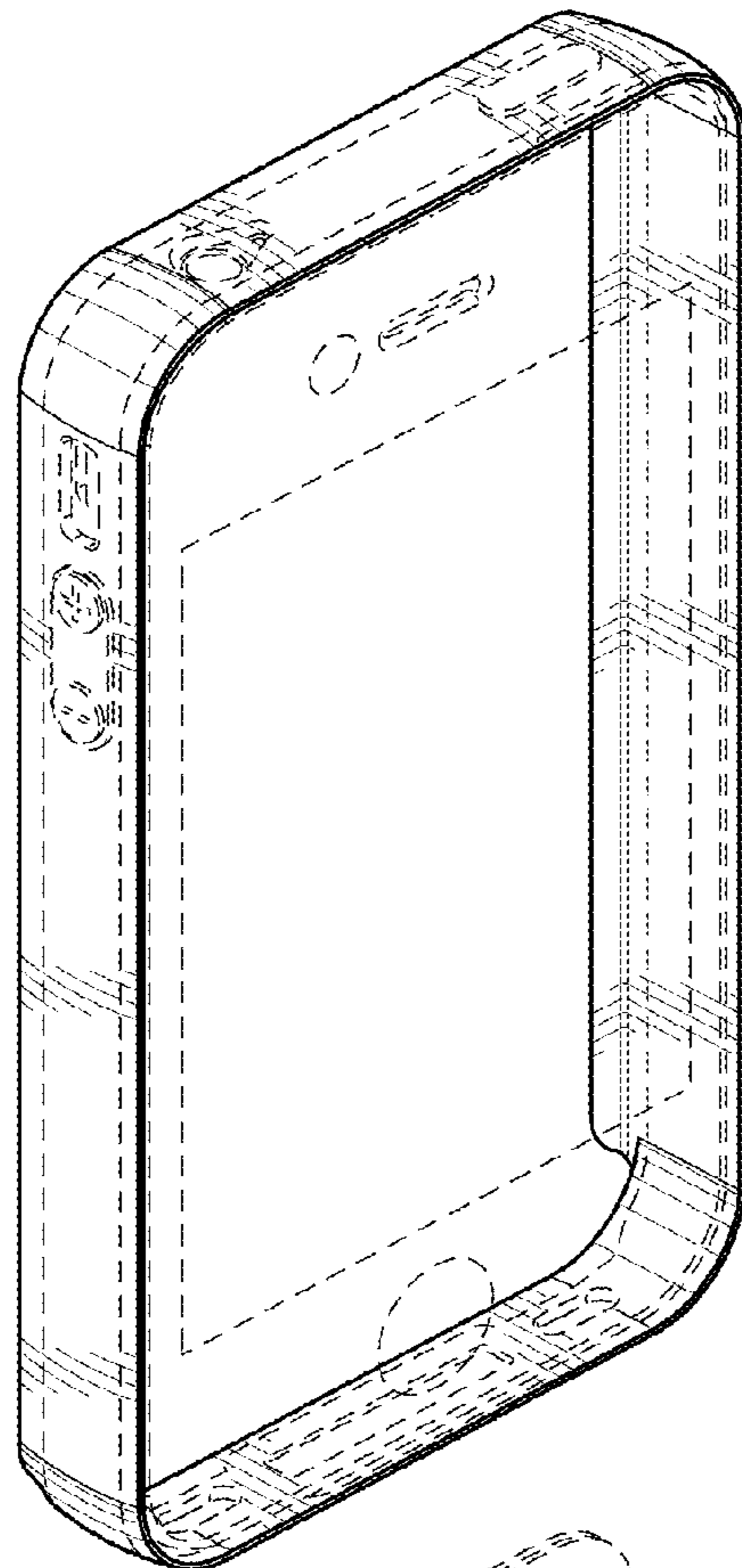
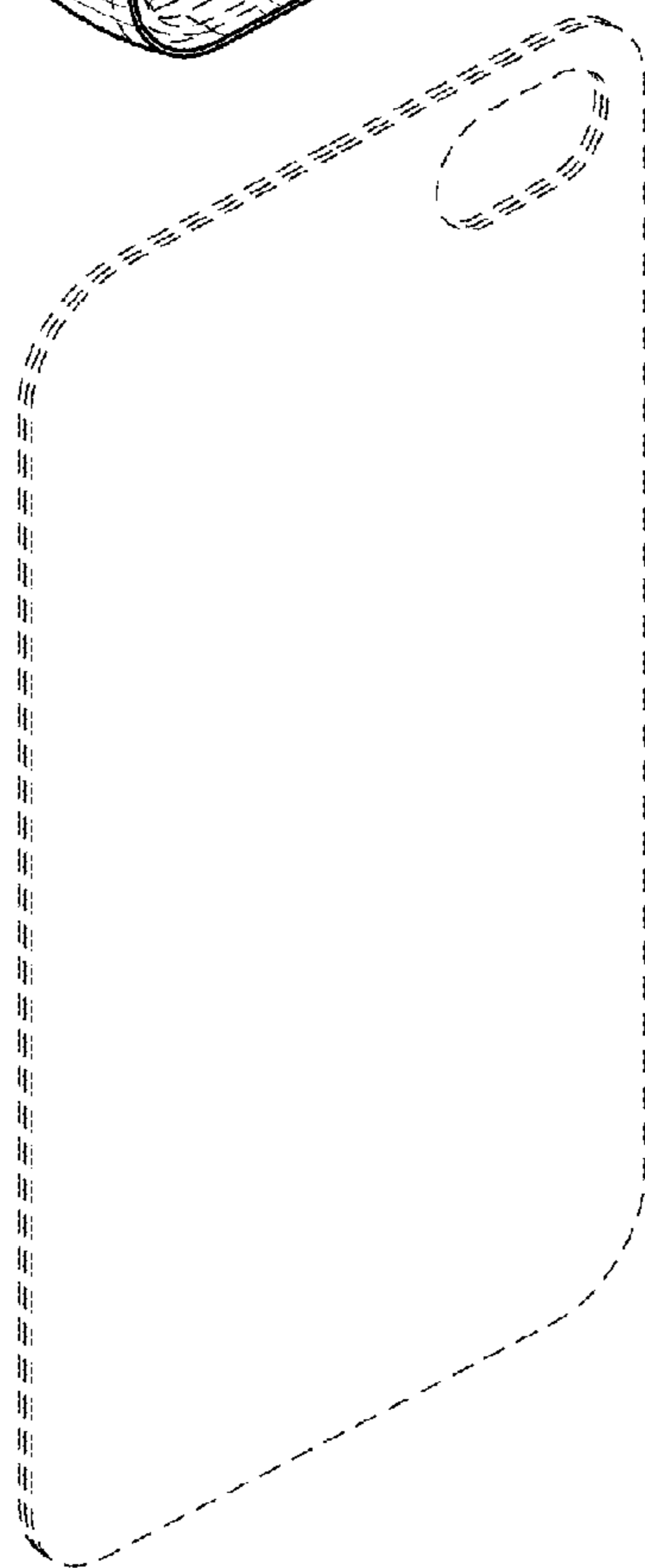
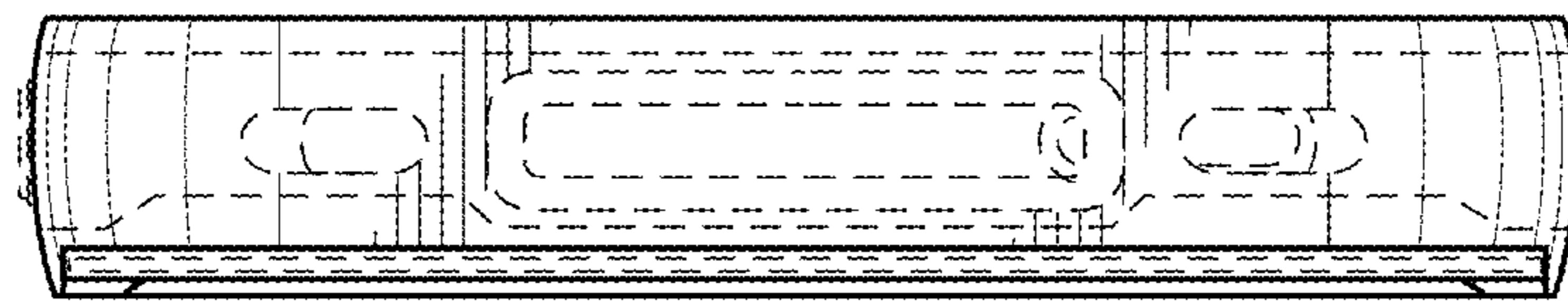


FIG. 8





**FIG. 9**

UNITED STATES PATENT AND TRADEMARK OFFICE  
**CERTIFICATE OF CORRECTION**

PATENT NO. : D705,206 S  
APPLICATION NO. : 29/410529  
DATED : May 20, 2014  
INVENTOR(S) : Gengler et al.

Page 1 of 1

It is certified that error appears in the above-identified patent and that said Letters Patent is hereby corrected as shown below:

On the Title page:

Item [73] should read:

--ZAGG Intellectual Property Holding Co., Inc. Salt Lake City, UT (US)--

Signed and Sealed this  
Twenty-third Day of September, 2014



Michelle K. Lee  
*Deputy Director of the United States Patent and Trademark Office*