



US00D705202S

(12) **United States Design Patent**  
**Silva**

(10) **Patent No.:** **US D705,202 S**

(45) **Date of Patent:** **\*\* \*May 20, 2014**

(54) **ENTERTAINMENT HUB**

(75) Inventor: **David Silva**, Neurtingen (DE)

(73) Assignee: **Hirschmann Car Communication GmbH**, Neckartenzlingen (DE)

(\*) Notice: This patent is subject to a terminal disclaimer.

(\*\*) Term: **14 Years**

(21) Appl. No.: **29/428,991**

(22) Filed: **Aug. 6, 2012**

(30) **Foreign Application Priority Data**

Feb. 7, 2012 (DE) ..... 402012100065

(51) **LOC (10) Cl.** ..... **14-03**

(52) **U.S. Cl.**  
USPC ..... **D14/240; D14/358**

(58) **Field of Classification Search**  
USPC ..... D14/242, 240, 357, 358, 140-140.9,  
D14/155, 137, 139, 243, 348, 349, 351, 354,  
D14/355; 375/222; 455/557; 725/111  
See application file for complete search history.

(56) **References Cited**

**U.S. PATENT DOCUMENTS**

D511,343 S \* 11/2005 Solomon et al. .... D14/356  
D535,281 S \* 1/2007 Yang ..... D14/203.3

D580,423 S \* 11/2008 Ju ..... D14/240  
D587,267 S \* 2/2009 Wang ..... D14/356  
D593,082 S \* 5/2009 Jeon ..... D14/240  
D602,487 S \* 10/2009 Maskatia ..... D14/341  
D623,636 S \* 9/2010 Luonsinen ..... D14/240  
7,911,800 B2 \* 3/2011 Smith ..... 361/752  
D638,003 S \* 5/2011 Chen ..... D14/242  
D641,740 S \* 7/2011 Jeon et al. .... D14/240  
D647,920 S \* 11/2011 Luo ..... D14/496  
D656,936 S \* 4/2012 Saunders ..... D14/358  
D661,697 S \* 6/2012 Saunders ..... D14/358

\* cited by examiner

*Primary Examiner* — Bridget L Eland

(74) *Attorney, Agent, or Firm* — Andrew Wilford

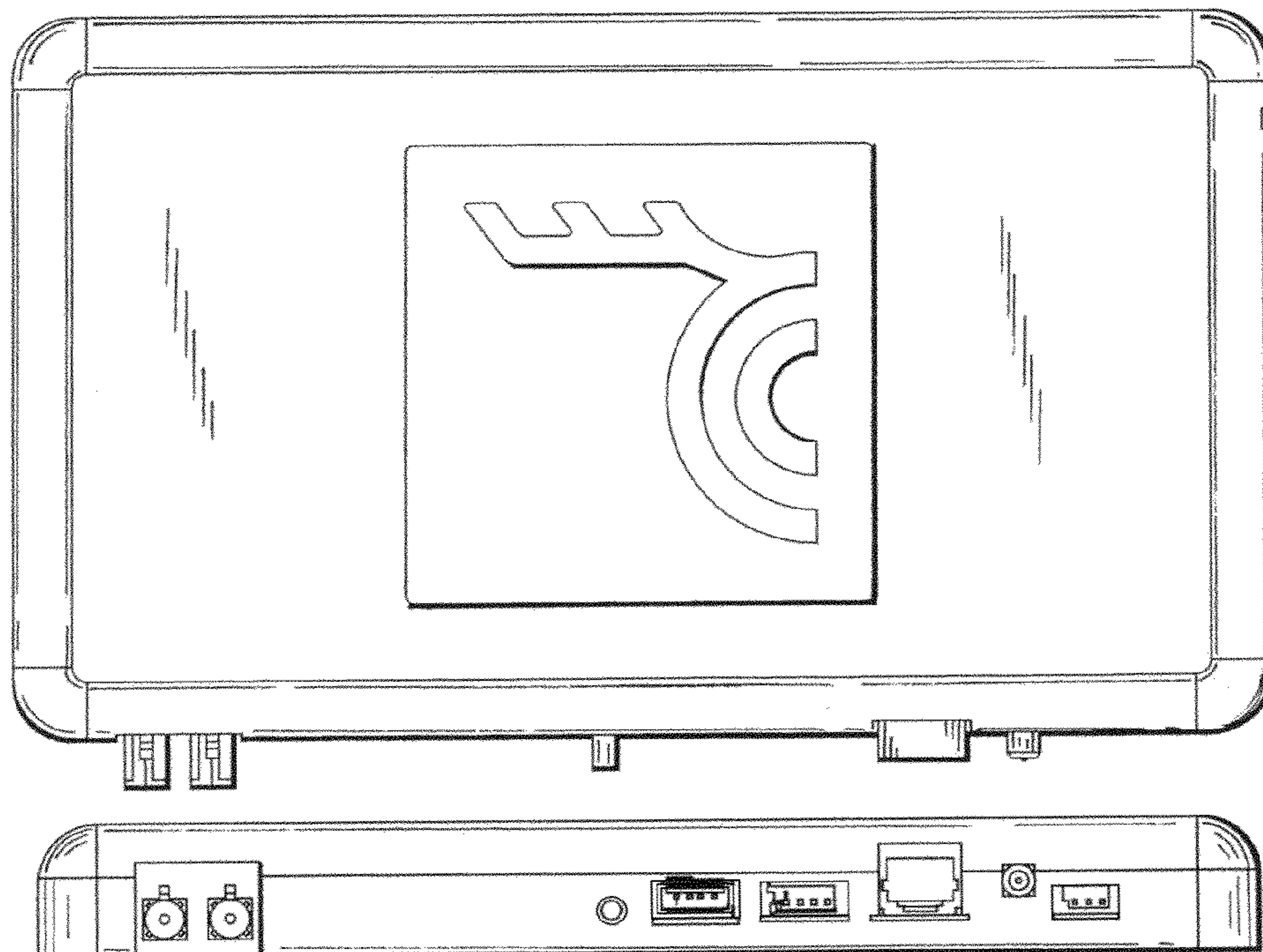
(57) **CLAIM**

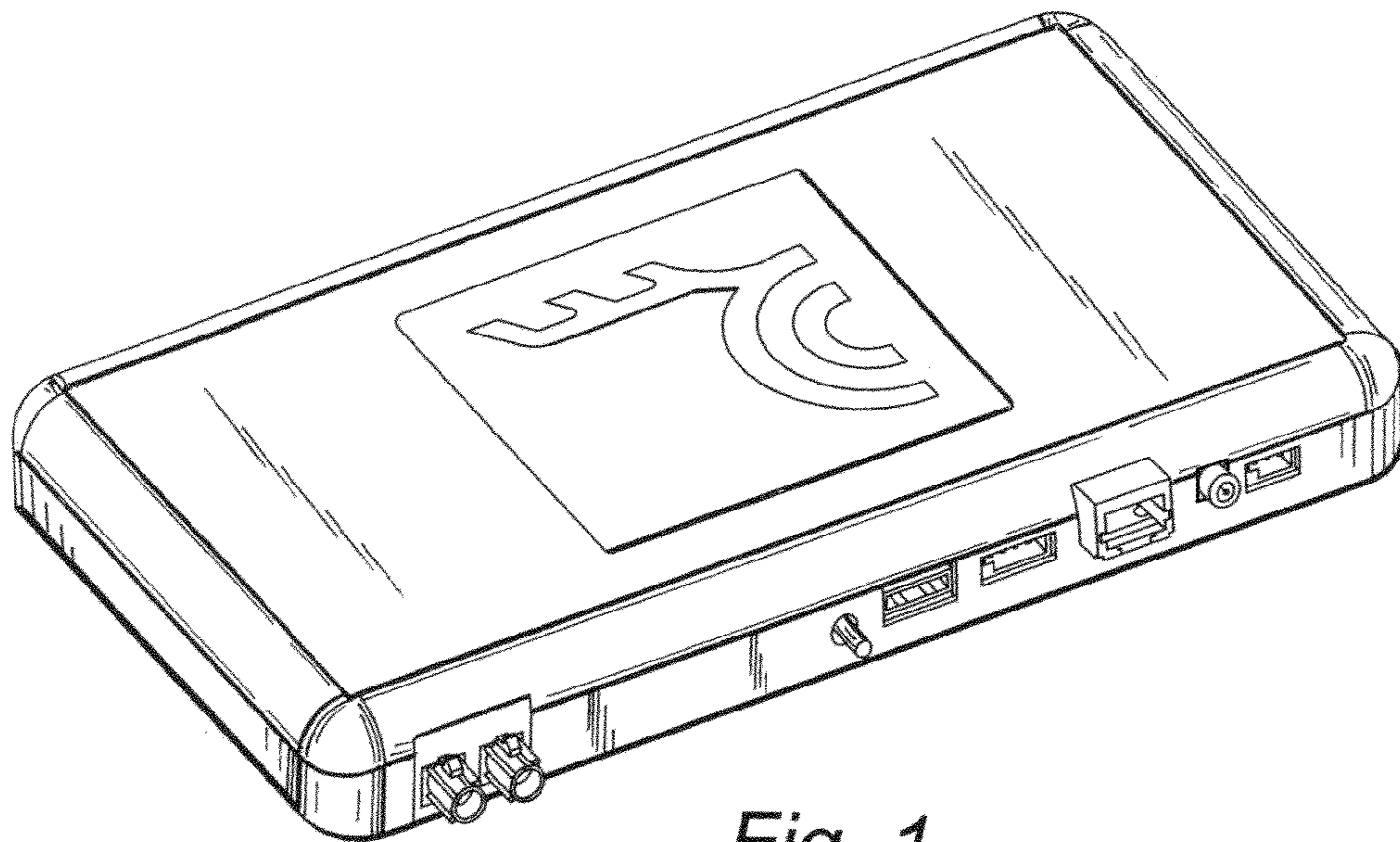
The ornamental design for a entertainment hub, as shown and described.

**DESCRIPTION**

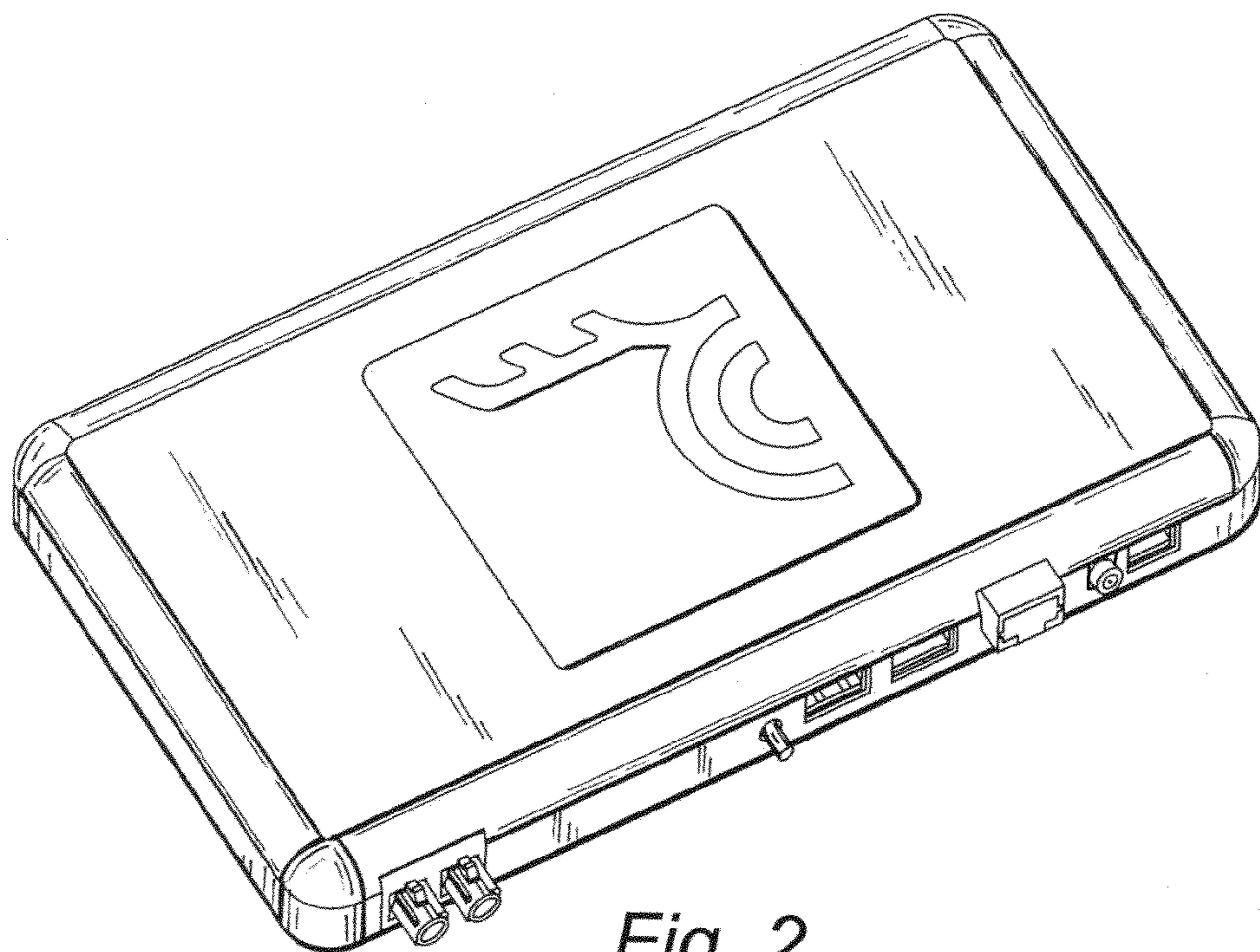
FIG. 1 is a top right-side back perspective view of an entertainment hub showing my new design, the left-side view being a mirror image of the right-side;  
FIG. 2 is another top right back perspective view thereof;  
FIG. 3 is a bottom right-side back perspective view thereof;  
FIG. 4 is a top view thereof;  
FIG. 5 is a bottom view thereof; and,  
FIG. 6 is a back elevational view thereof.  
The logo trademark forming part of the claimed design is a registered trademark of Hirschmann Car Communication GmbH, under 3,793,202.

**1 Claim, 3 Drawing Sheets**



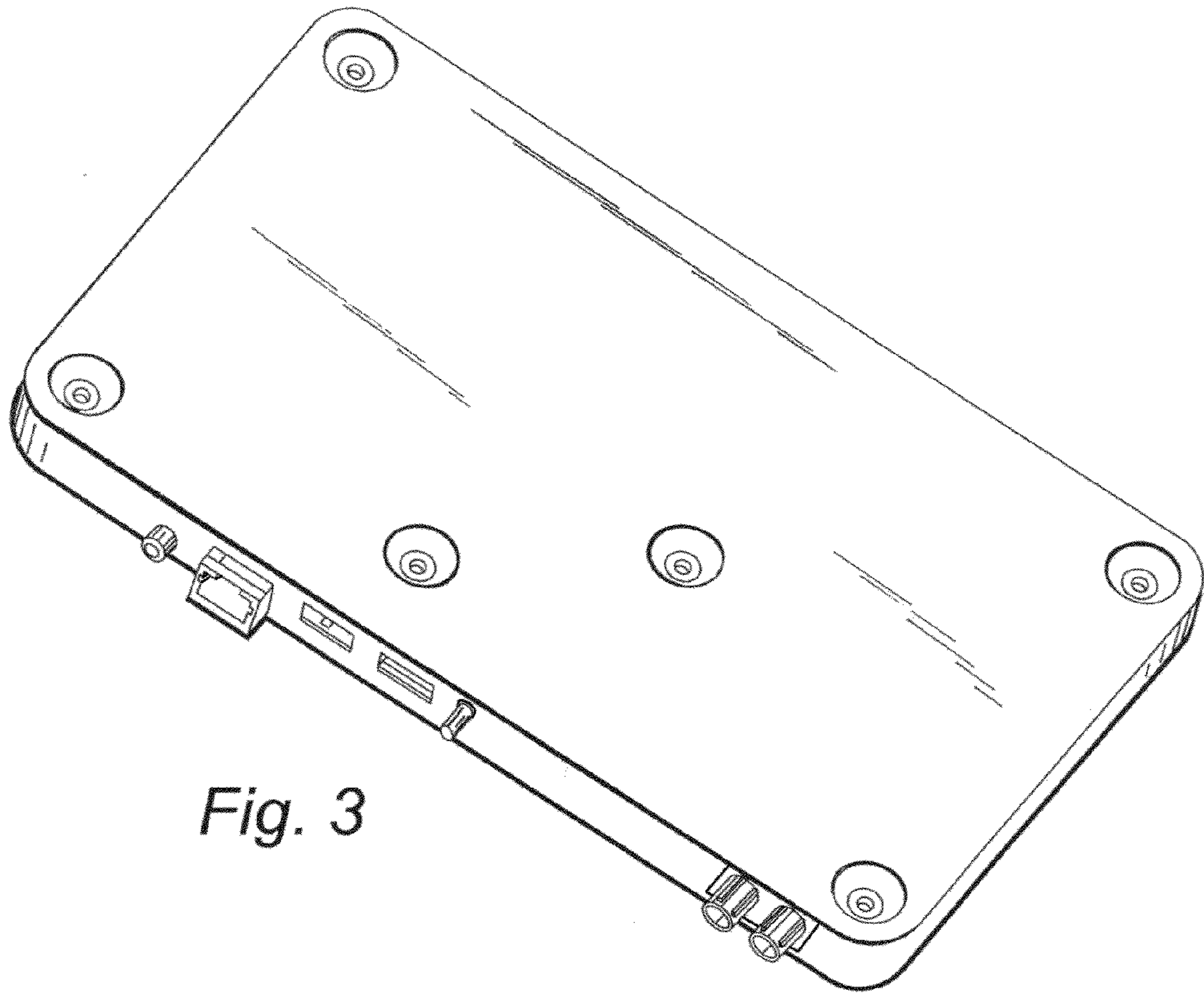


*Fig. 1*

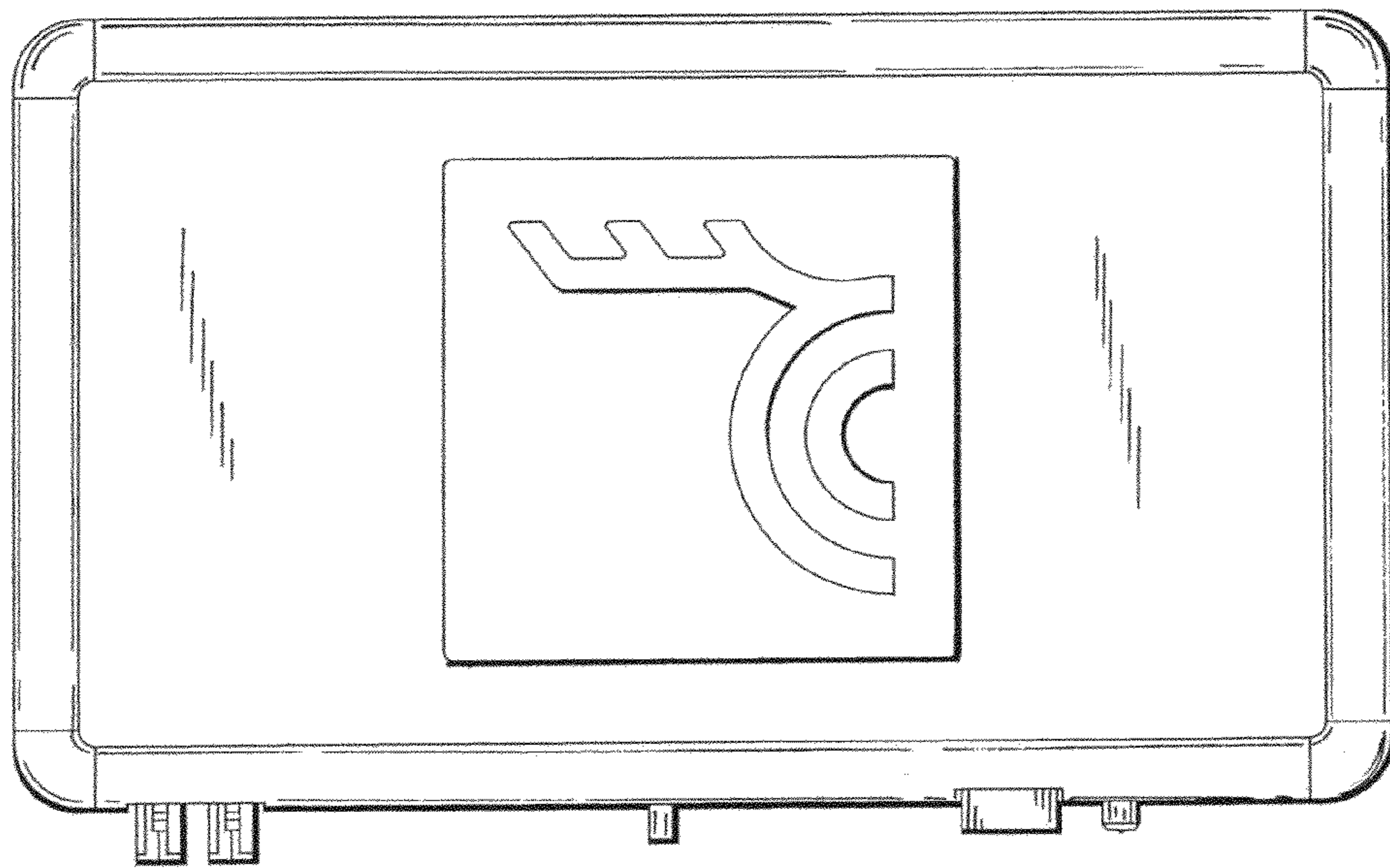


*Fig. 2*

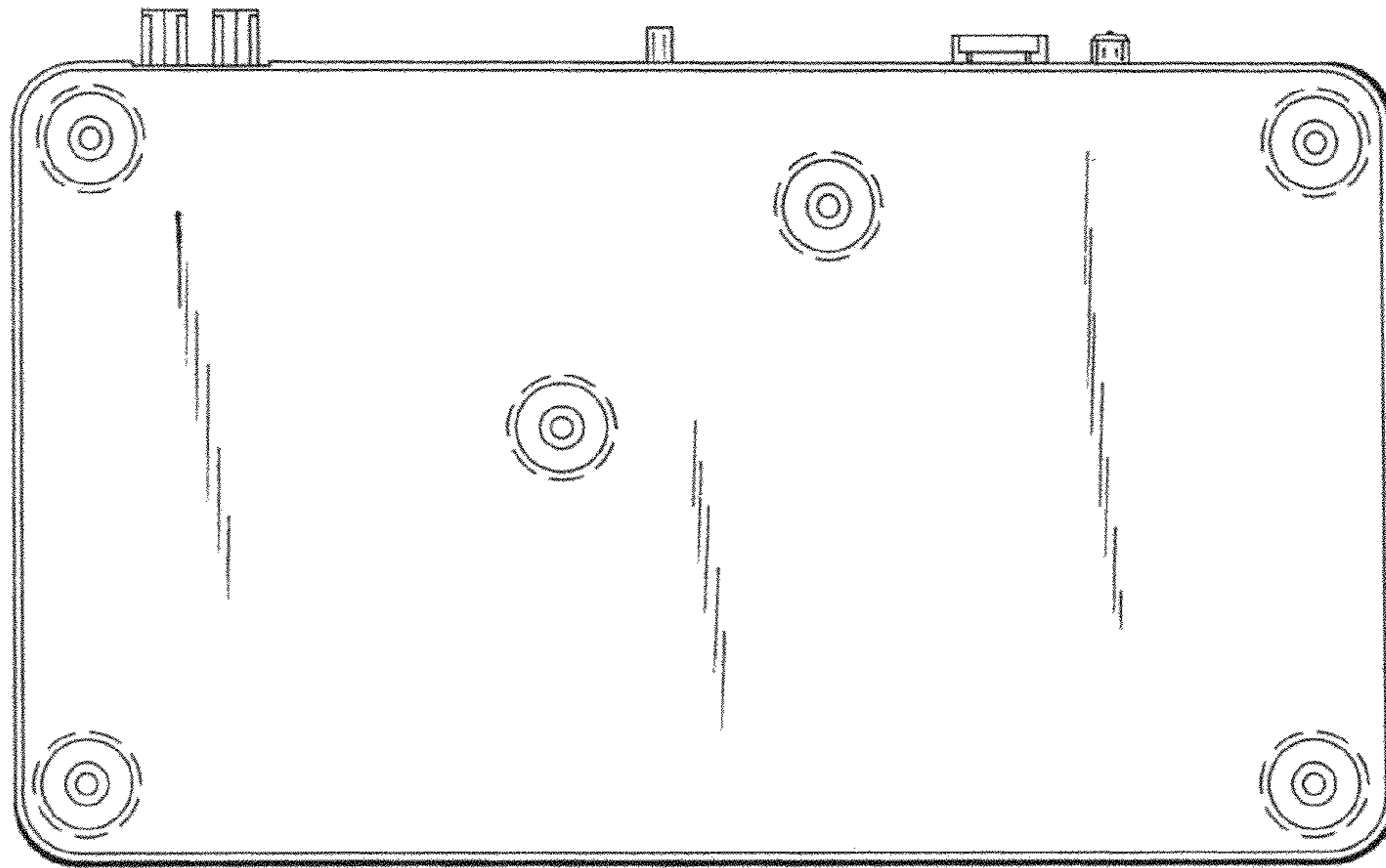




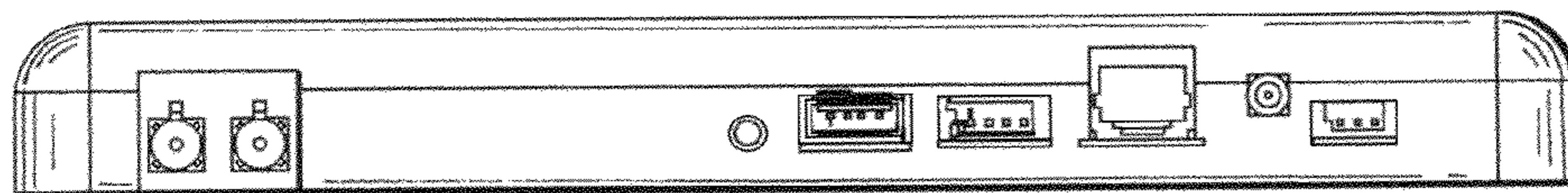
*Fig. 3*



*Fig. 4*



*Fig. 5*



*Fig. 6*