



US00D705201S

(12) **United States Design Patent**
Isaacs et al.

(10) **Patent No.:** **US D705,201 S**

(45) **Date of Patent:** **** *May 20, 2014**

(54) **USER INTERFACE**

(75) Inventors: **Dickon Isaacs**, Chicago, IL (US); **Steve C Emmert**, McHenry, IL (US); **Thomas E Gitzinger**, Libertyville, IL (US); **Matthew D Thomas**, Atlanta, GA (US); **James E Wicks**, Lake Bluff, IL (US); **Mark D Zaveson**, Antioch, IL (US); **Daniel V. Clements**, St. Joseph, MI (US); **Nicholas Woodley**, London (GB)

(73) Assignee: **Motorola Mobility LLC**, Libertyville, IL (US)

(*) Notice: This patent is subject to a terminal disclaimer.

(**) Term: **14 Years**

(21) Appl. No.: **29/417,759**

(22) Filed: **Apr. 9, 2012**

(51) **LOC (10) Cl.** **14-03**

(52) **U.S. Cl.**
USPC **D14/240**

(58) **Field of Classification Search**
USPC D14/240, 242, 357, 358, 140-140.9,
D14/155, 137, 139, 243, 138 AD, 348, 349,
D14/351, 354, 355; 375/222; 455/557;
725/111

See application file for complete search history.

(56) **References Cited**

U.S. PATENT DOCUMENTS

D408,823 S * 4/1999 Kirby D14/240
D476,987 S * 7/2003 Takiguchi et al. D14/341

D530,315 S * 10/2006 Liu D14/240
D548,731 S * 8/2007 Liu et al. D14/240
D585,061 S * 1/2009 Han D14/358
D594,875 S * 6/2009 Sheba et al. D14/496
D596,626 S * 7/2009 Andre et al. D14/240
D598,013 S * 8/2009 Ju et al. D14/240
D601,583 S * 10/2009 Andre et al. D14/496
D641,740 S * 7/2011 Jeon et al. D14/240
D648,298 S * 11/2011 Pierce et al. D14/138 G
D686,198 S * 7/2013 Lewis et al. D14/240
D686,201 S * 7/2013 Lee D14/314

* cited by examiner

Primary Examiner — Bridget L Eland

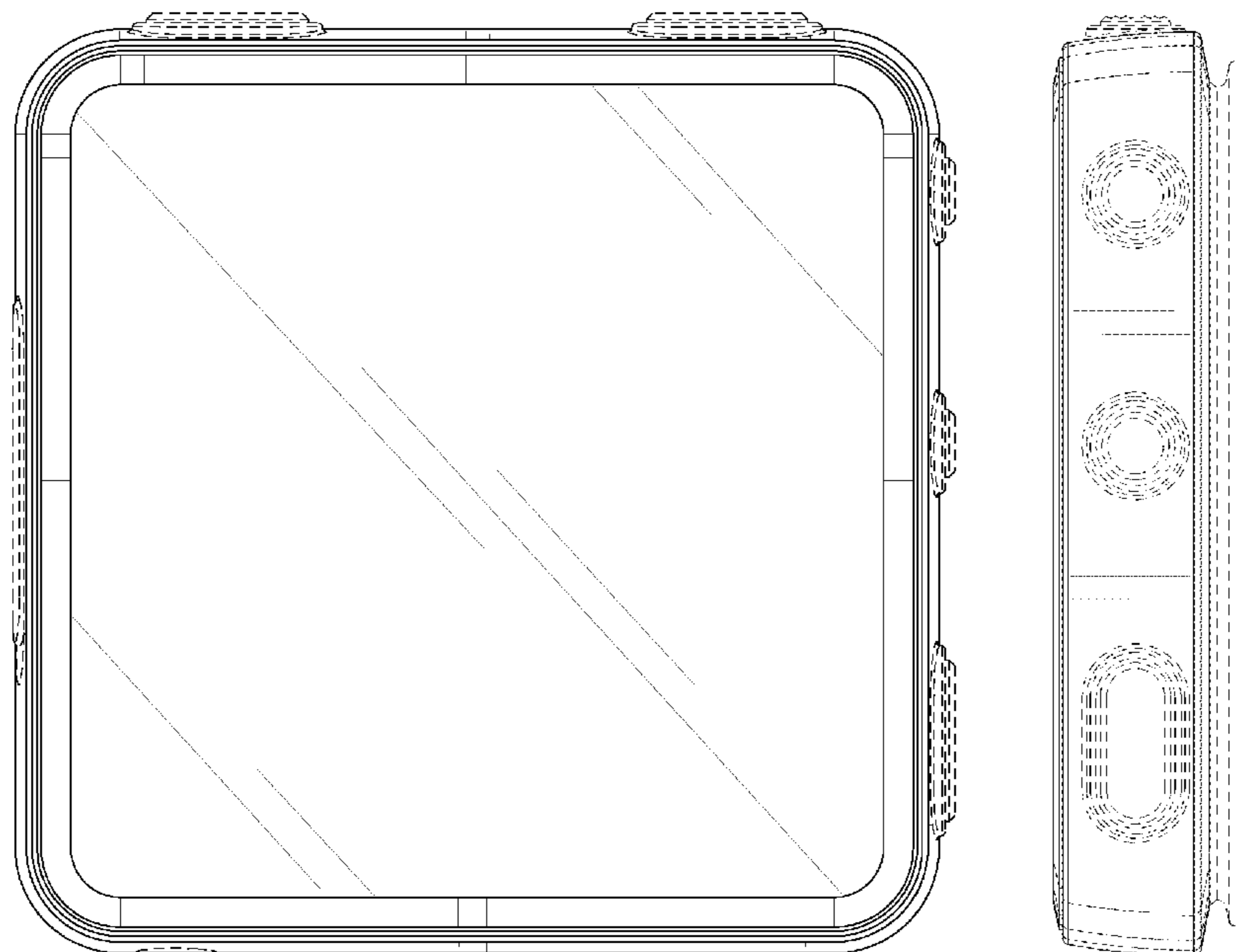
(57) **CLAIM**

The ornamental design for a user interface, as shown and described.

DESCRIPTION

FIG. 1 is a front perspective view of an ornamental design for a user interface;
FIG. 2 is a rear perspective view thereof;
FIG. 3 is a front view thereof;
FIG. 4 is a rear view thereof;
FIG. 5 is a first side view thereof;
FIG. 6 is a second side view thereof;
FIG. 7 is a top view thereof; and,
FIG. 8 is a bottom view thereof.
The broken lines shown in FIGS. 1-8, that are immediately adjacent to the shaded areas, and define unshaded regions, represent the bounds of the claimed design, while all other broken lines are directed to environment and are for illustrative purposes only; the broken lines form no part of the claimed design.

1 Claim, 6 Drawing Sheets



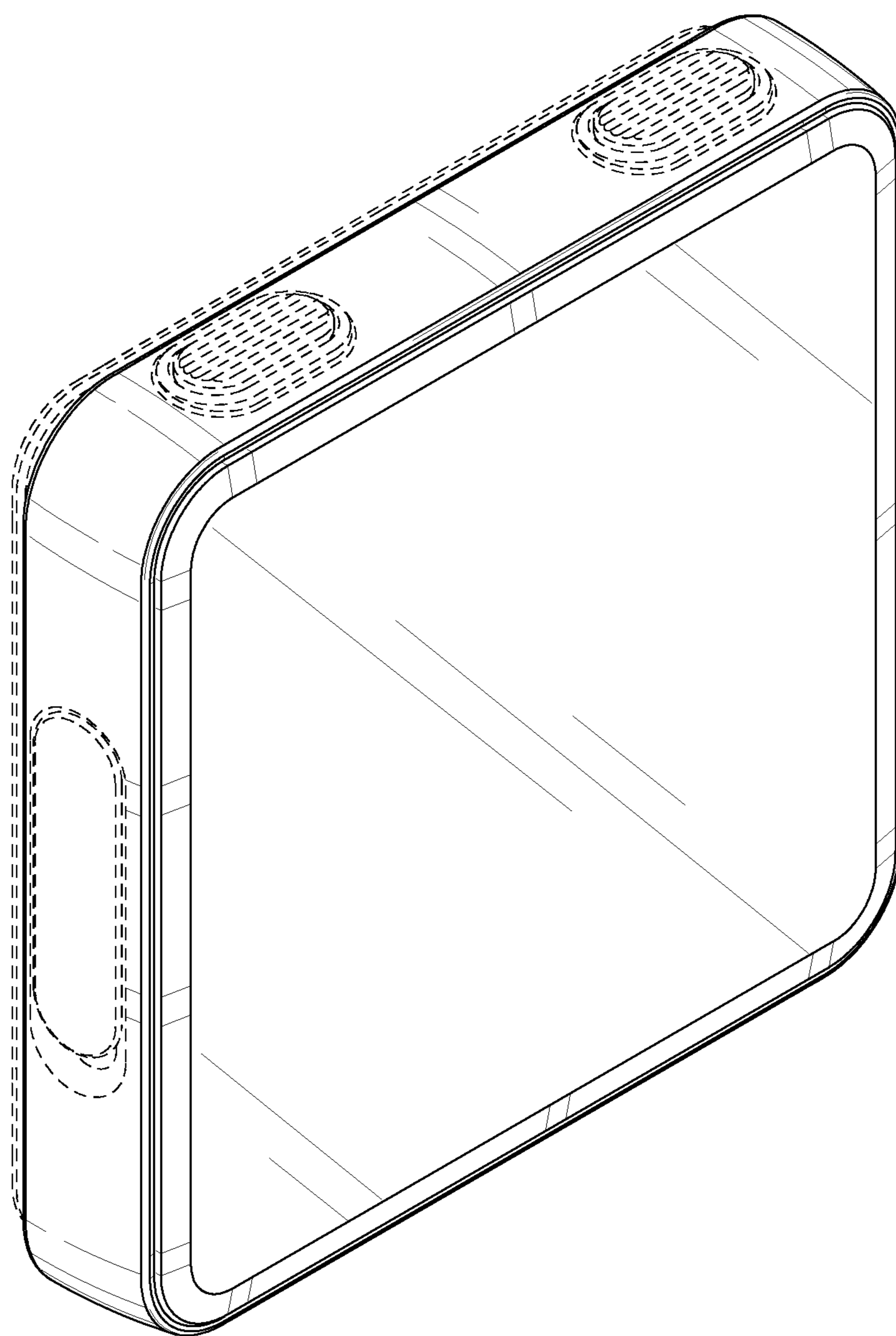


FIG. 1

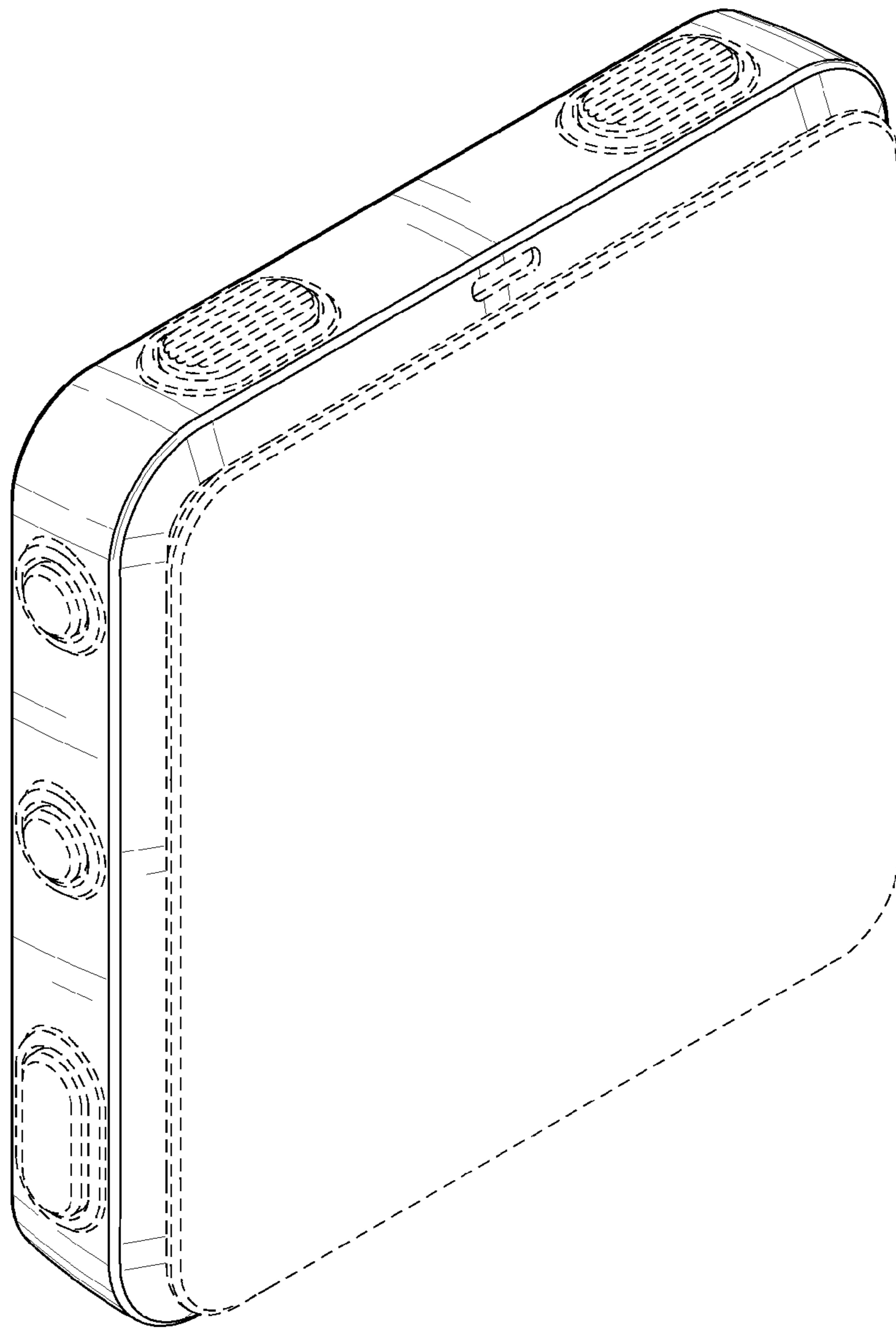


FIG. 2

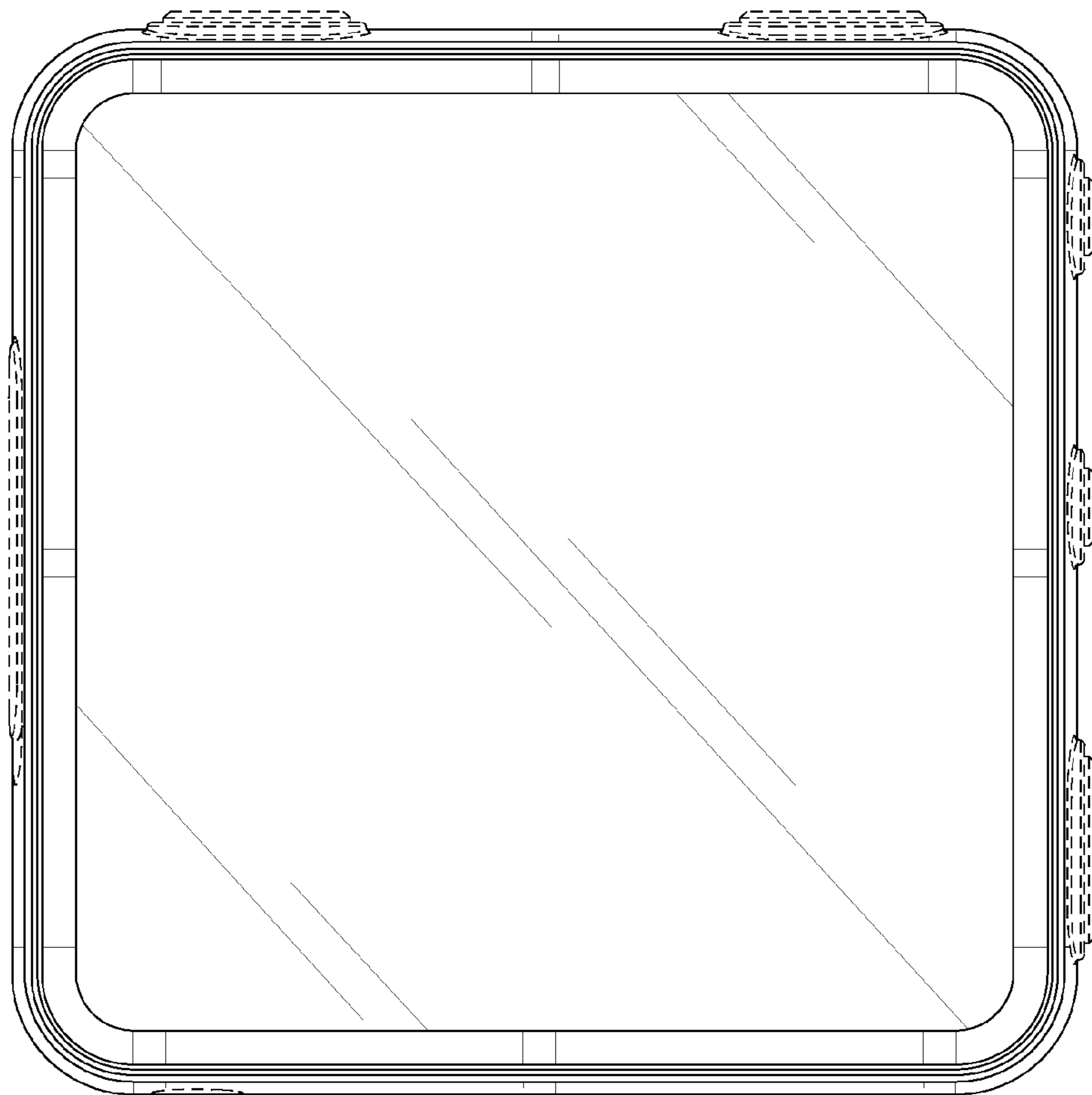


FIG. 3

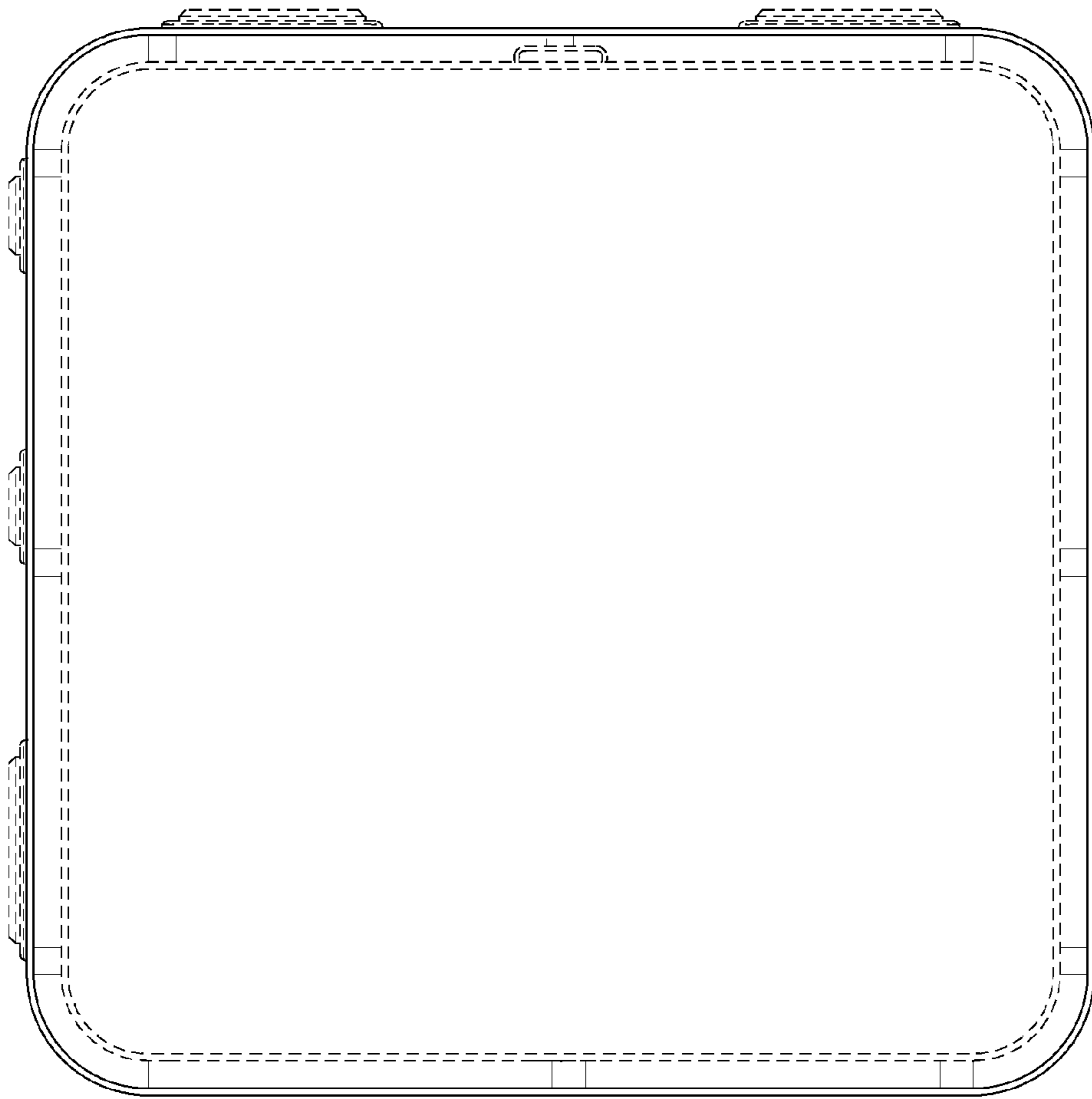


FIG. 4

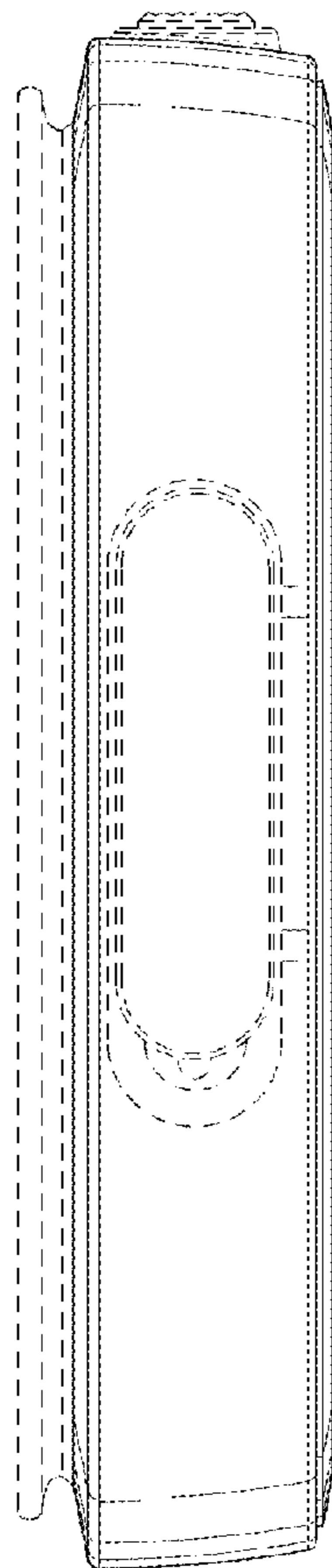


FIG. 5

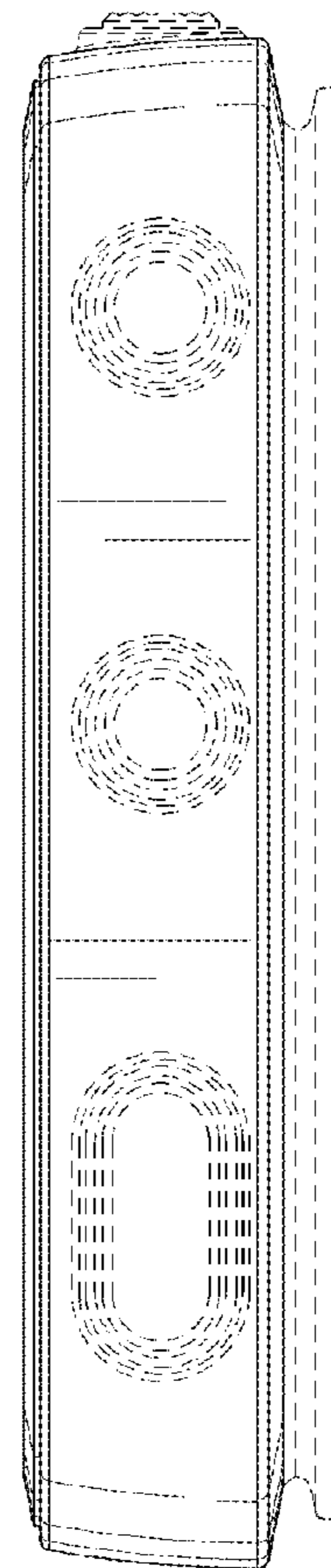


FIG. 6

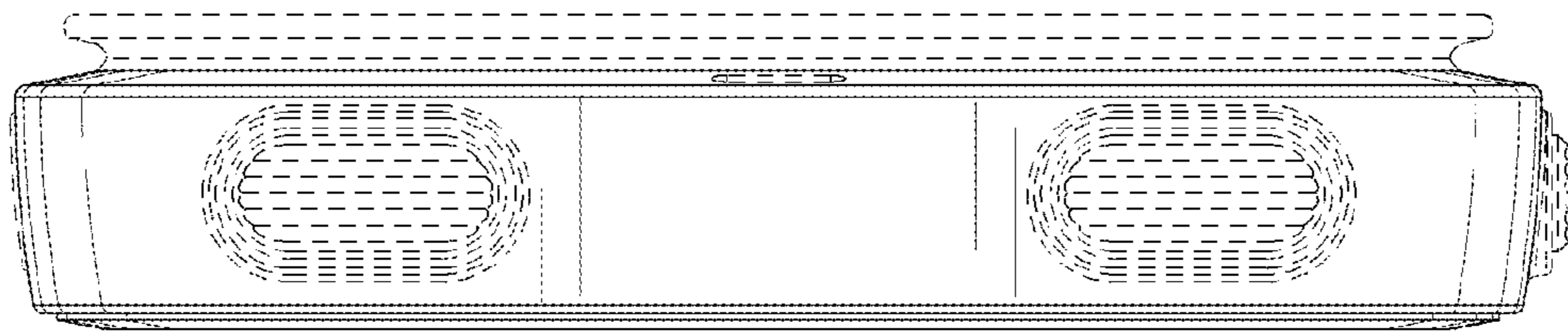


FIG. 7

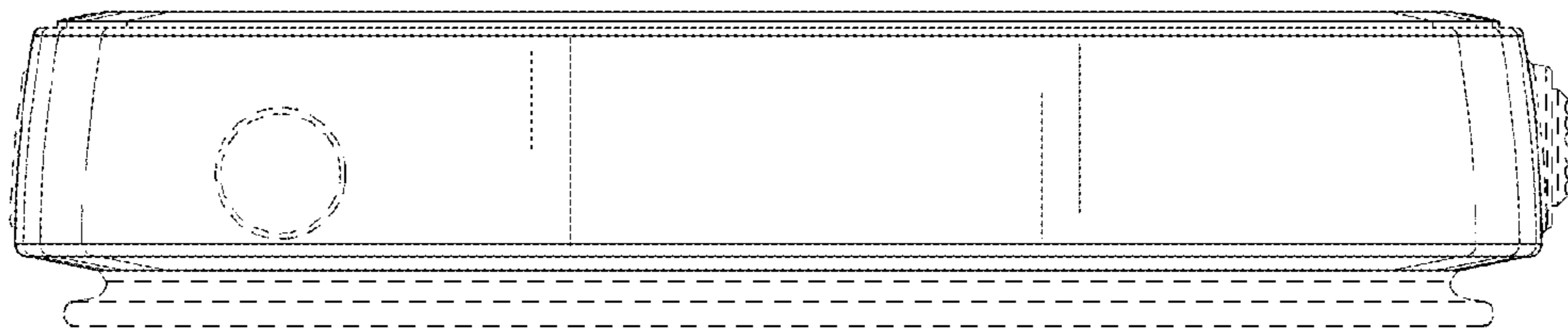


FIG. 8