



US00D705200S

(12) **United States Design Patent**  
**Choi**

(10) **Patent No.:** **US D705,200 S**

(45) **Date of Patent:** **\*\* May 20, 2014**

(54) **TELEVISION STAND**

(71) Applicant: **Samsung Electronics Co., Ltd.**,  
Suwon-si (KR)

(72) Inventor: **Su-An Choi**, Seoul (KR)

(73) Assignee: **Samsung Electronics Co., Ltd.**,  
Suwon-si (KR)

(\*\*) Term: **14 Years**

(21) Appl. No.: **29/450,397**

(22) Filed: **Mar. 18, 2013**

(30) **Foreign Application Priority Data**

Oct. 23, 2012 (KR) ..... 30-2012-0050378

(51) **LOC (10) Cl.** ..... **14-03**

(52) **U.S. Cl.**  
USPC ..... **D14/239**

(58) **Field of Classification Search**  
USPC ..... D14/125-129, 239, 371-375, 336, 337;  
341/12; 345/104, 156, 168, 173;  
348/180, 184, 325, 739; 349/1, 2, 11,  
349/62; 361/679.05-679.07, 679.21;  
D6/300, 308

See application file for complete search history.

(56) **References Cited**

**U.S. PATENT DOCUMENTS**

D512,386 S \* 12/2005 Kita ..... D14/126  
D522,982 S \* 6/2006 Rhoades et al. .... D14/126

7,329,810	B2	*	2/2008	Spivack et al.	.....	84/422.1
D567,197	S	*	4/2008	Kita	.....	D14/126
D620,461	S	*	7/2010	Han et al.	.....	D14/126
D620,904	S	*	8/2010	Honda	.....	D14/126
D635,980	S	*	4/2011	Hung	.....	D14/451
D643,389	S	*	8/2011	Lee et al.	.....	D14/126
D656,913	S	*	4/2012	Ann et al.	.....	D14/126
D659,661	S	*	5/2012	Lim et al.	.....	D14/126
D661,270	S	*	6/2012	Cha et al.	.....	D14/126
D664,940	S	*	8/2012	Kim et al.	.....	D14/129
D680,106	S	*	4/2013	Hwangbo et al.	.....	D14/239

\* cited by examiner

*Primary Examiner* — Randall Gholson

(74) *Attorney, Agent, or Firm* — NSIP Law

(57) **CLAIM**

The ornamental design for a television stand, as shown and described.

**DESCRIPTION**

FIG. 1 is a front perspective view of a television stand; FIG. 2 is a front view of the television stand of FIG. 1; FIG. 3 is a rear view of the television stand of FIG. 1; FIG. 4 is a left-side view of the television stand of FIG. 1; FIG. 5 is a right-side view of the television stand of FIG. 1; FIG. 6 is a top plan view of the television stand of FIG. 1; FIG. 7 is a bottom plan view of the television stand of FIG. 1; and, FIG. 8 is another perspective view thereof. The dash-dot-dash broken line immediately adjacent the solid-line portions of the design represents an unclaimed boundary of the design. Features shown in broken lines in FIGS. 1, 2, 3, 4, 5, 6, 7, and 8, form no part of the claimed design.

**1 Claim, 8 Drawing Sheets**

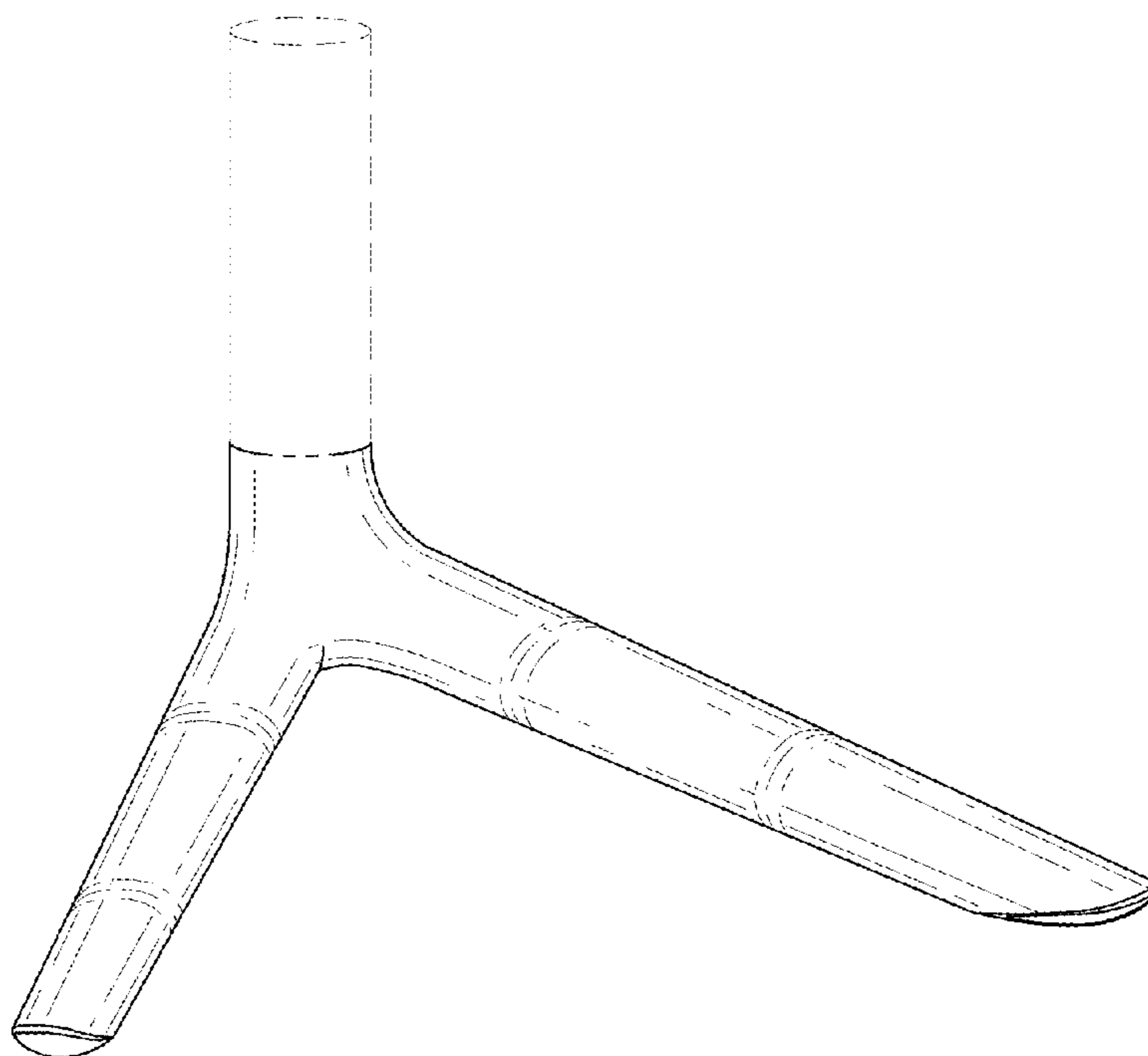


FIG. 1

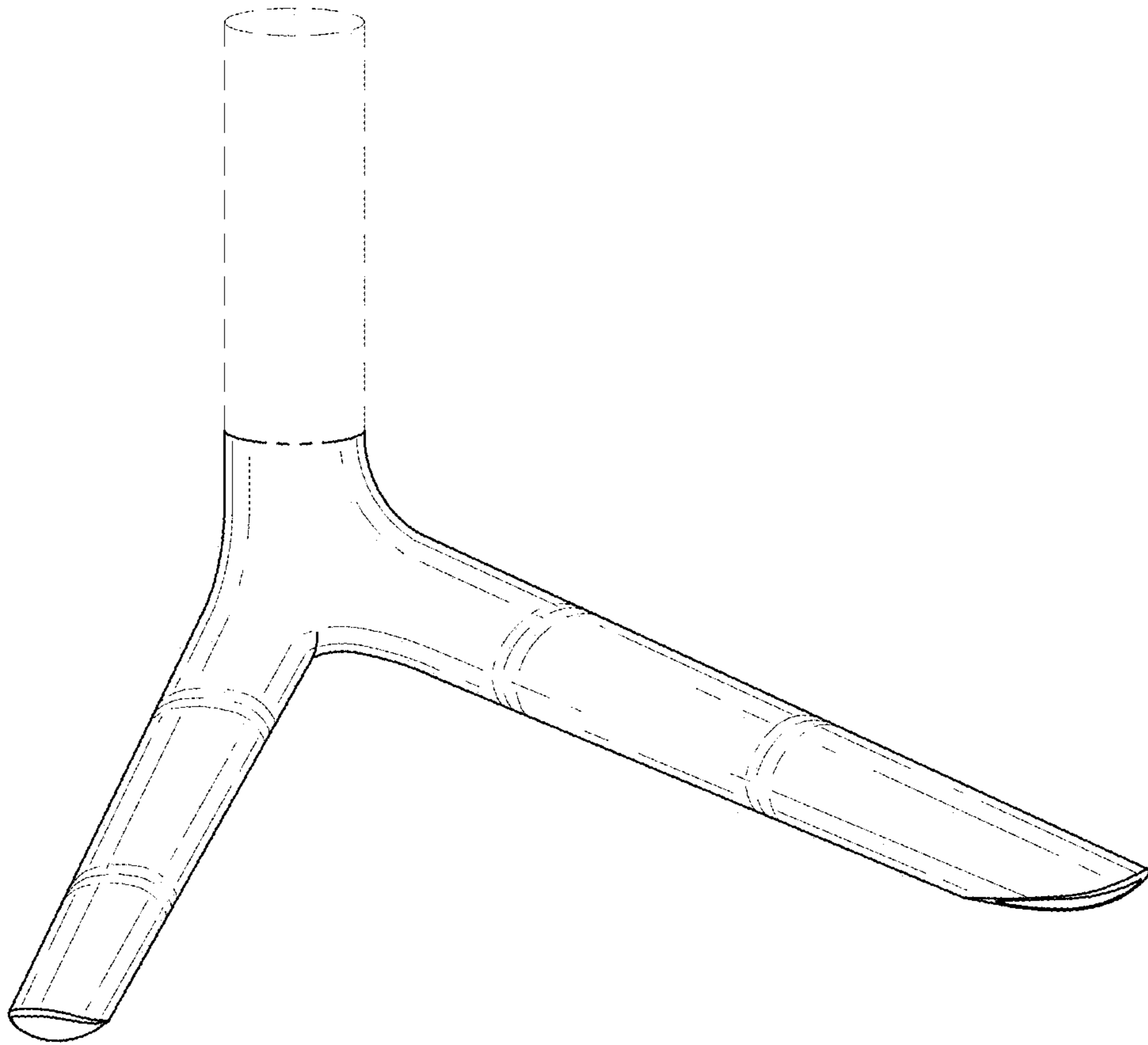


FIG. 2

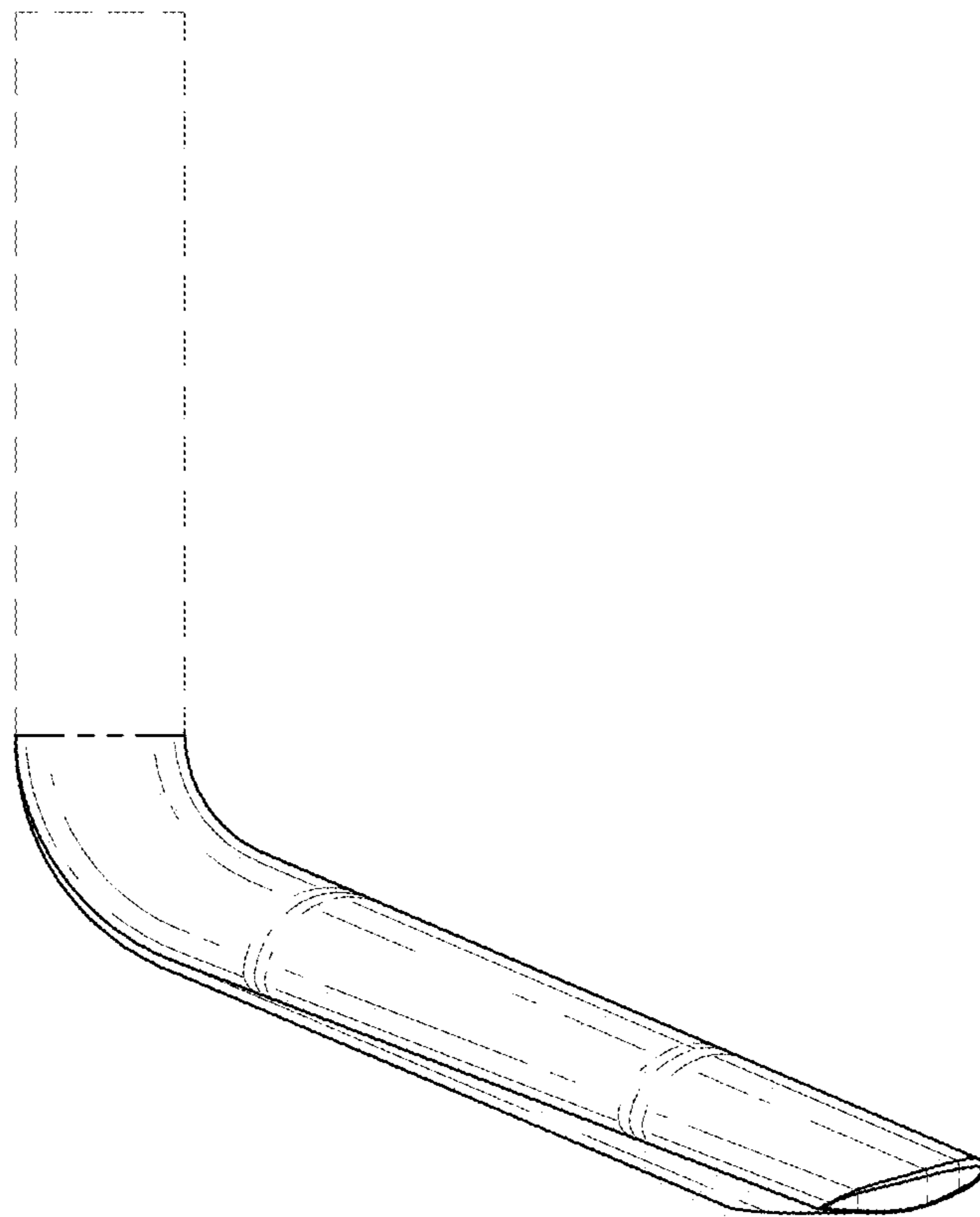


FIG. 3

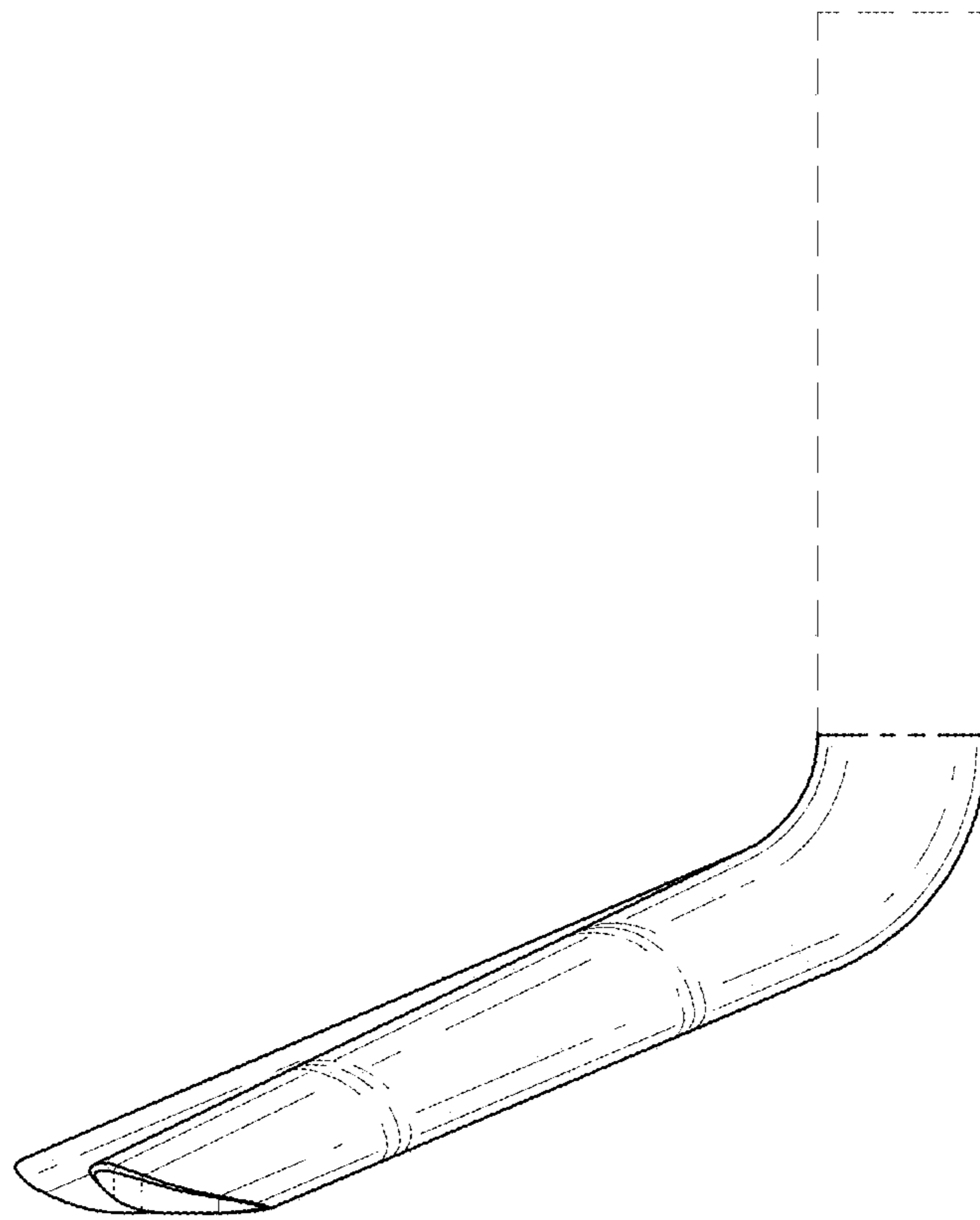


FIG. 4

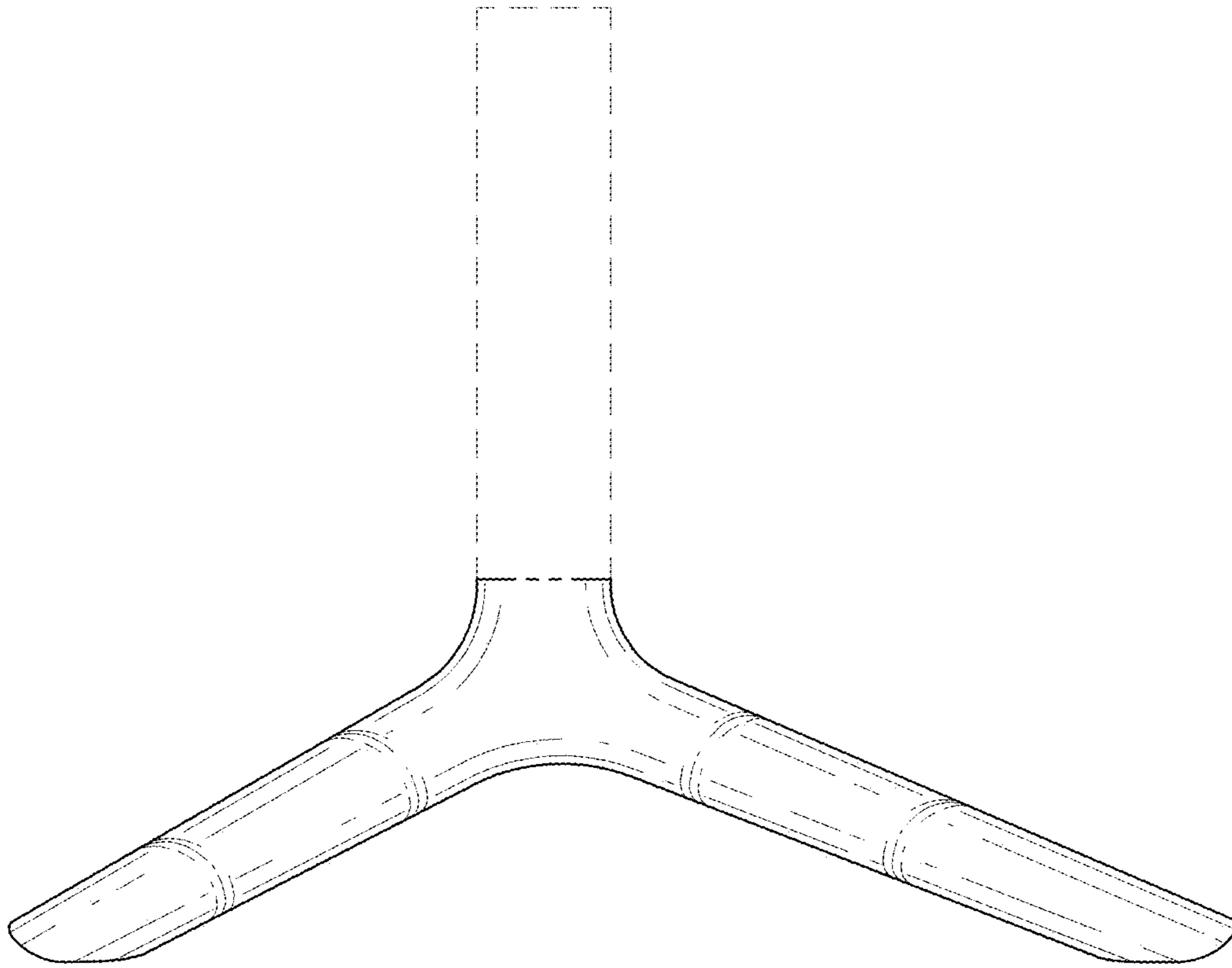


FIG. 5

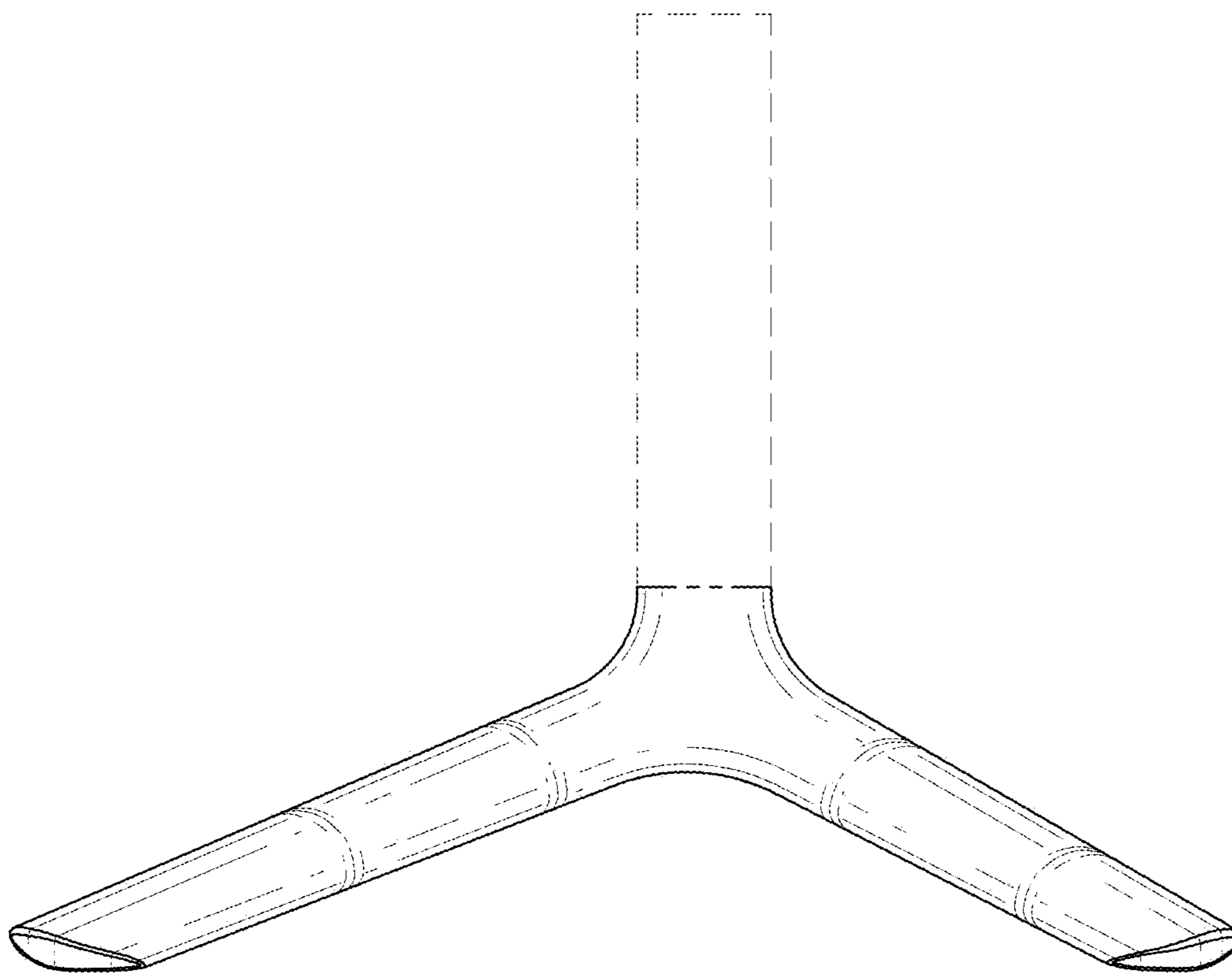


FIG. 6

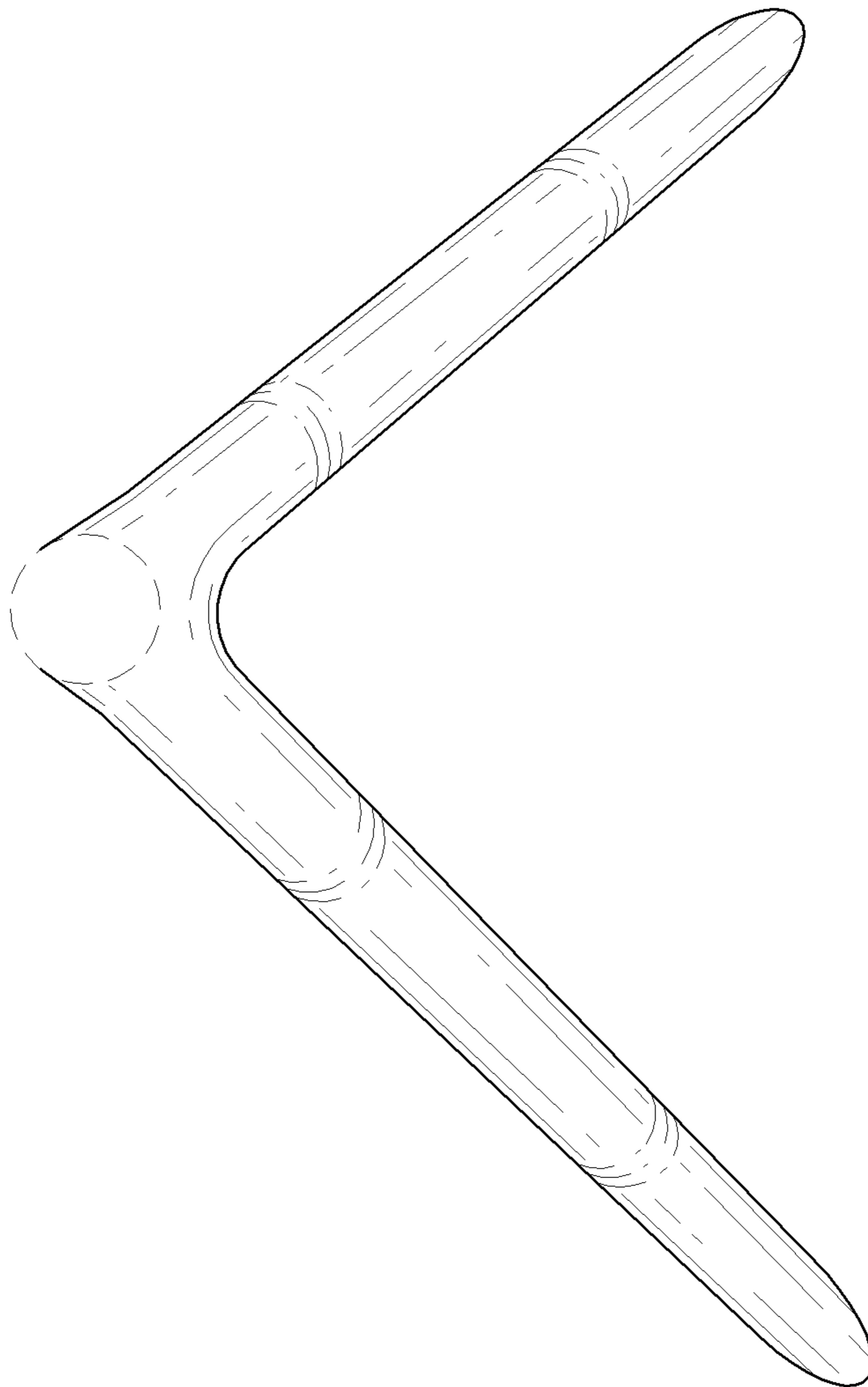


FIG. 7

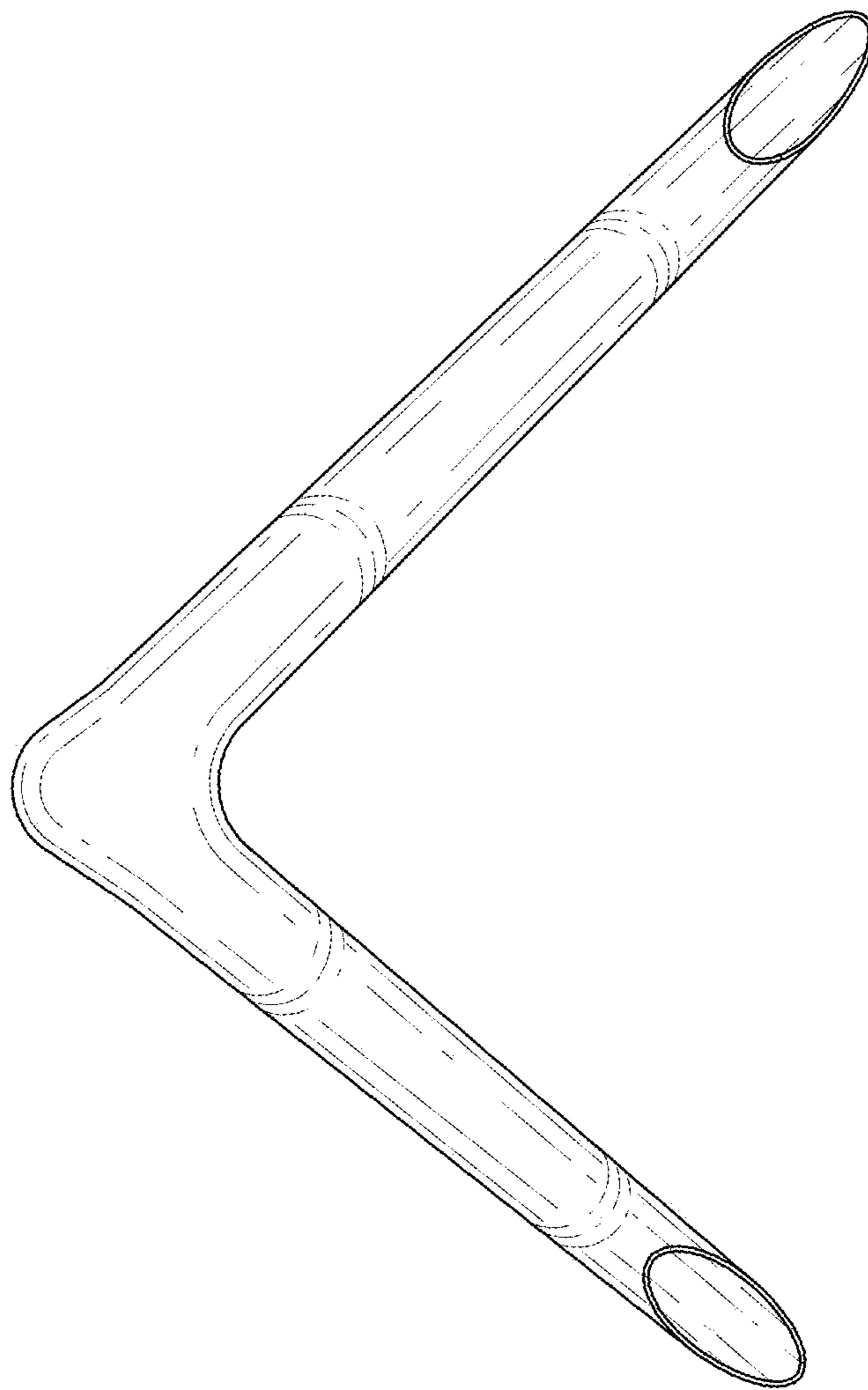




FIG. 8

