



US00D705196S

(12) **United States Design Patent**
Drambarean

(10) **Patent No.:** **US D705,196 S**

(45) **Date of Patent:** **** May 20, 2014**

(54) **ELECTRONIC EARPLUG**

(71) Applicant: **Etymotic Research, Inc.**, Elk Grove Village, IL (US)

(72) Inventor: **Viorel Drambarean**, Lincolnwood, IL (US)

(73) Assignee: **Etymotic Research, Inc.**, Elk Grove Village, IL (US)

(**) Term: **14 Years**

(21) Appl. No.: **29/455,802**

(22) Filed: **May 24, 2013**

(51) **LOC (10) Cl.** **14-01**

(52) **U.S. Cl.**

CPC **H04R 25/00** (2013.01)

USPC **D14/223; D14/205**

(58) **Field of Classification Search**

CPC H04R 25/00

USPC D14/223, 205, 214, 215, 216, 217, 188,

D14/192, 341, 344, 426, 449, 450, 453, 507,

D14/509, 511, 191, 203.5, 218; 181/129,

181/130, 135; 379/430, 431; 381/370, 380,

381/381, 375, 321; 455/90.3, 575.2;

D24/174

See application file for complete search history.

(56) **References Cited**

U.S. PATENT DOCUMENTS

2,430,229	A *	11/1947	Kelsey	381/338
3,374,318	A *	3/1968	Martin	381/325
4,969,534	A *	11/1990	Kolpe et al.	181/130
D326,653	S *	6/1992	Hino	D14/192
D405,083	S *	2/1999	Choy et al.	D14/191
D441,185	S *	5/2001	Shimizu et al.	D3/207
D451,493	S *	12/2001	Ng	D14/192
D455,835	S *	4/2002	Anderson et al.	D24/174
D472,889	S *	4/2003	Tanaka et al.	D14/206

D478,576	S *	8/2003	Leong	D14/240
D479,834	S *	9/2003	Salazar et al.	D14/205
D494,570	S *	8/2004	Ma	D14/223
D502,171	S *	2/2005	Tang et al.	D14/223
6,868,284	B2 *	3/2005	Bae	455/575.2
D504,884	S *	5/2005	Hering	D14/206
D509,210	S *	9/2005	Skulley et al.	D14/205
D509,823	S *	9/2005	Han et al.	D14/223
7,079,664	B2 *	7/2006	Nassimi	381/380
D538,268	S *	3/2007	Gibson et al.	D14/223
D550,200	S *	9/2007	Drambarean et al.	D14/205
D550,201	S *	9/2007	Drambarean et al.	D14/205
D550,658	S *	9/2007	Wang	D14/223
D555,151	S *	11/2007	Eklund et al.	D14/223
D562,808	S *	2/2008	Gwee	D14/223
D566,694	S *	4/2008	Kim et al.	D14/223
D572,241	S *	7/2008	Gwee	D14/223
D574,814	S *	8/2008	Hammond	D14/223

(Continued)

Primary Examiner — Paula Greene

(74) *Attorney, Agent, or Firm* — McAndrews Held & Malloy, Ltd.

(57) **CLAIM**

The ornamental design for an electronic earplug, as shown and described.

DESCRIPTION

FIG. 1 is a top perspective view of a design for an electronic earplug.

FIG. 2 is a bottom perspective view thereof.

FIG. 3 is a top plan view thereof.

FIG. 4 is a bottom plan view thereof.

FIG. 5 is a left side elevation view thereof.

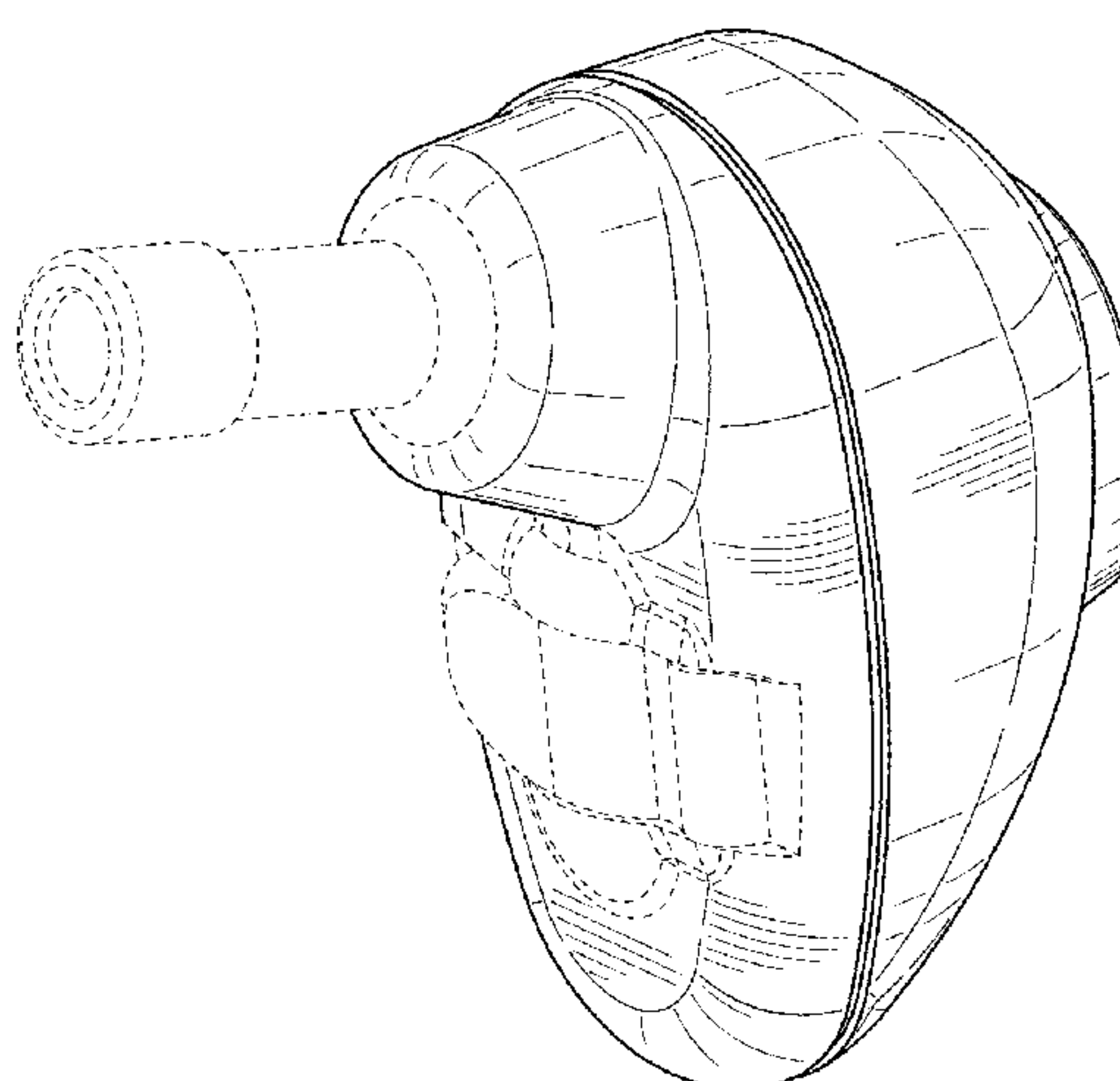
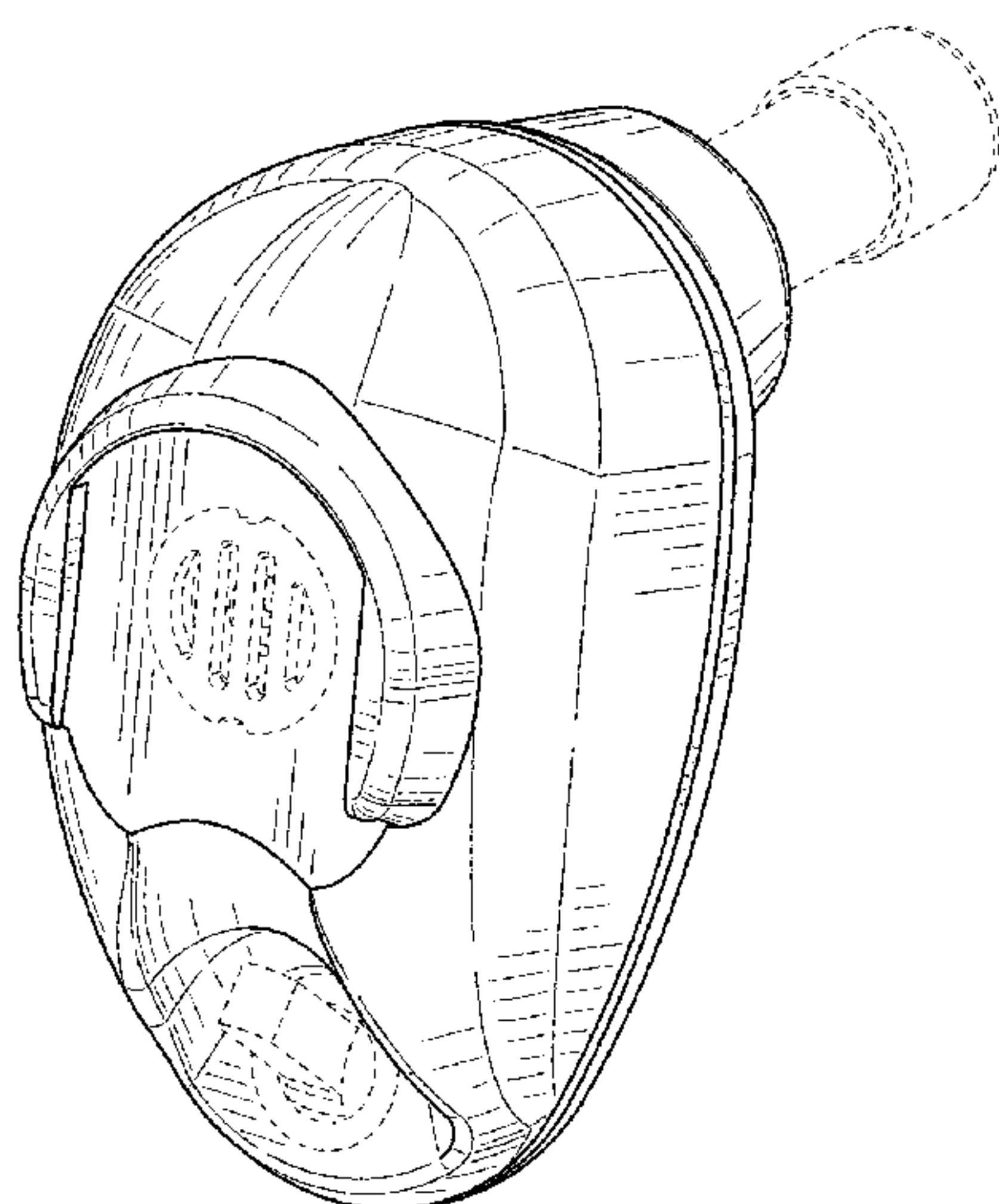
FIG. 6 is a right side elevation view thereof.

FIG. 7 is a front side elevation view thereof; and,

FIG. 8 is a rear side elevation view thereof.

The broken lines in the drawings, indicating that no particular shape is being claimed, represent environmental subject matter and form no part of the claimed design.

1 Claim, 4 Drawing Sheets



(56)

References Cited

U.S. PATENT DOCUMENTS

D575,277 S *	8/2008	Gaarde et al.	D14/223
D582,899 S *	12/2008	Wai	D14/223
D600,682 S *	9/2009	Wai	D14/223
7,639,825 B2 *	12/2009	Fukuda	381/151
D616,901 S *	6/2010	Ward et al.	D14/507
D620,926 S *	8/2010	Wai	D14/223
D622,855 S *	8/2010	Cano, Jr.	D24/174
D630,622 S *	1/2011	Lee et al.	D14/223
D637,183 S *	5/2011	March	D14/223
D637,184 S *	5/2011	March	D14/223
D649,957 S *	12/2011	Fahrendorff et al.	D14/223
D649,958 S *	12/2011	Park	D14/223
D650,773 S *	12/2011	Kim et al.	D14/223
D655,277 S *	3/2012	Wai	D14/223
D687,417 S *	8/2013	Koss et al.	D14/223
2007/0098201 A1 *	5/2007	Chen	381/380
2011/0228947 A1 *	9/2011	Killion et al.	381/72

* cited by examiner

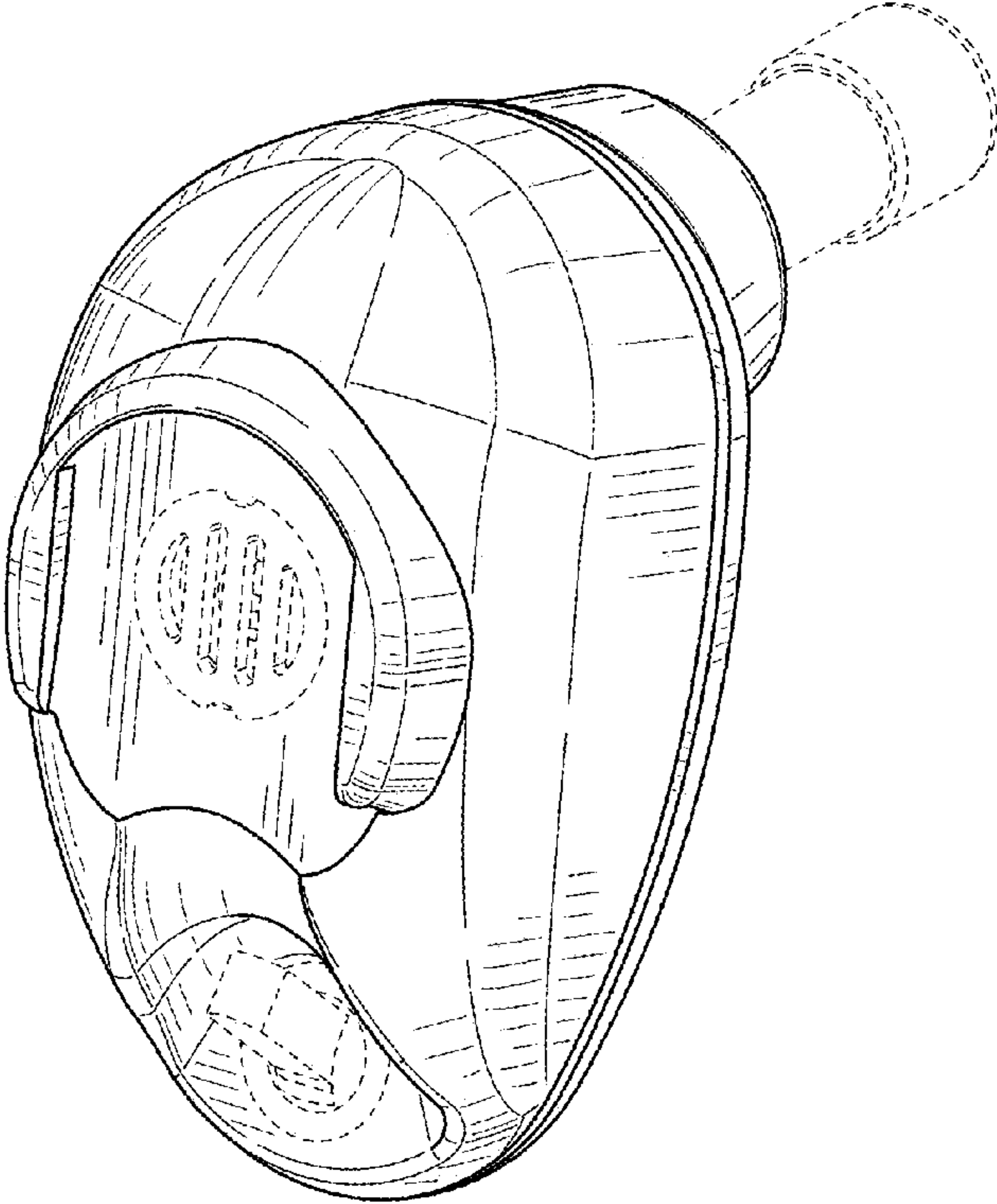


FIG. 1

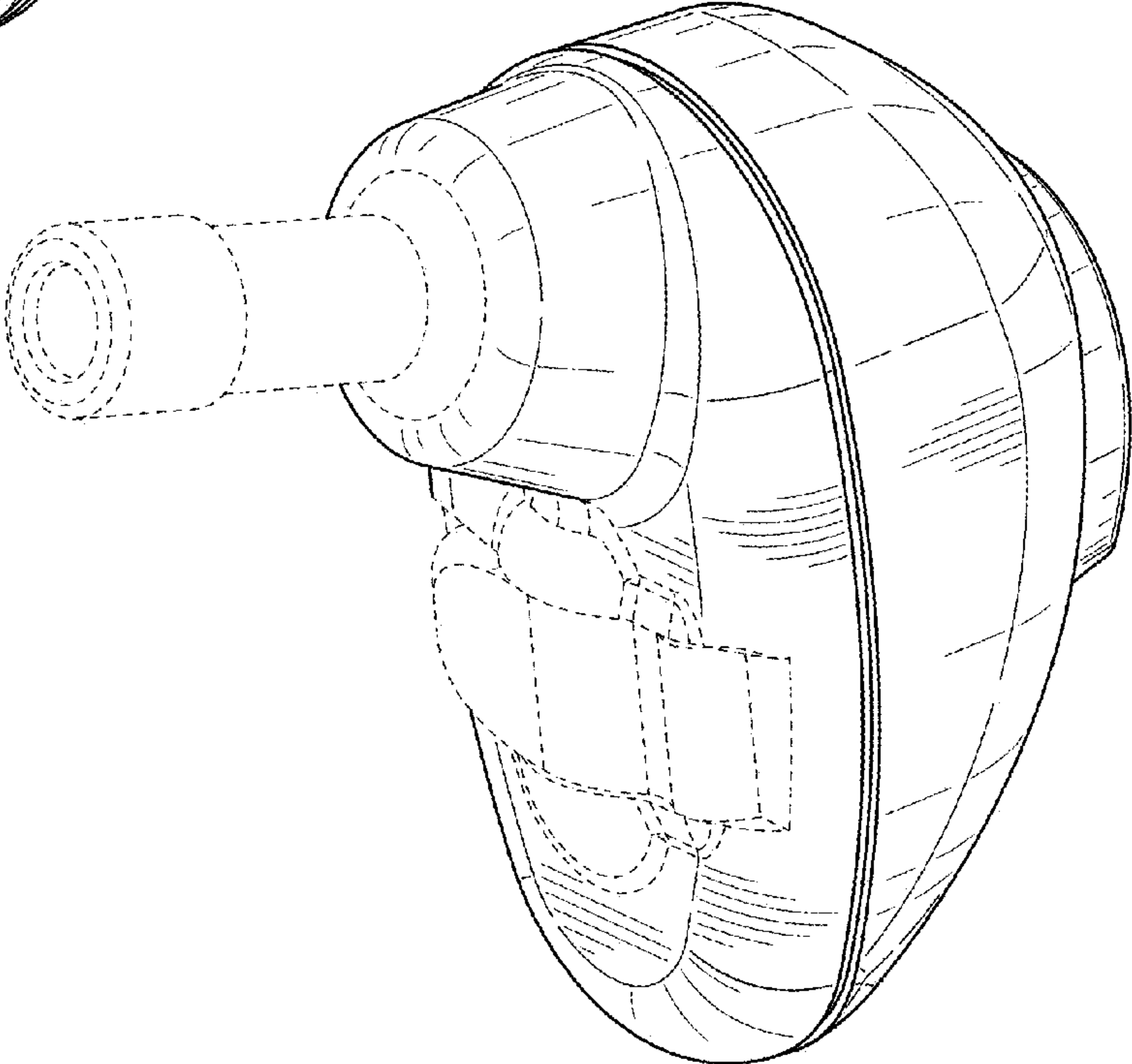


FIG. 2

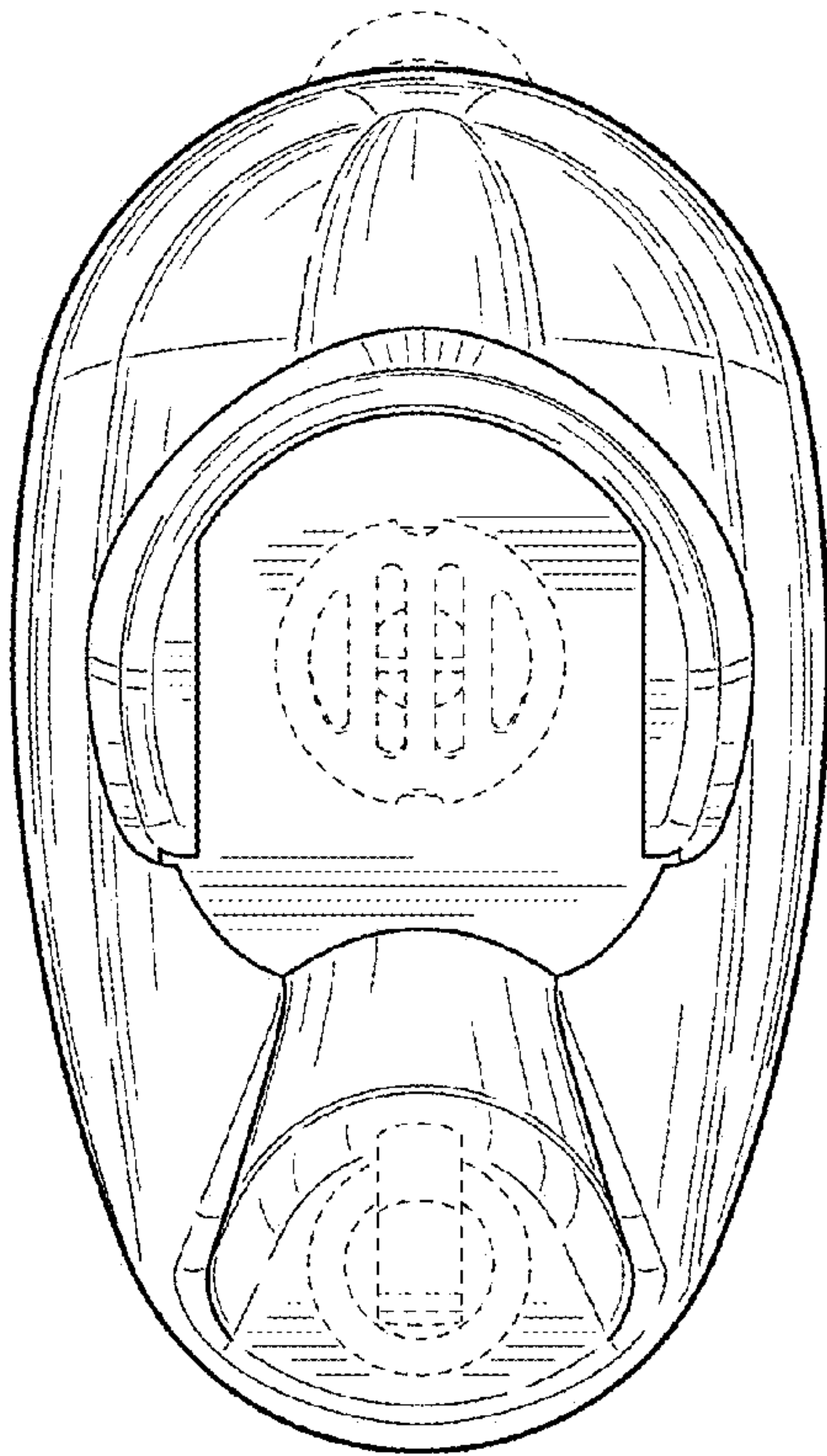


FIG. 3

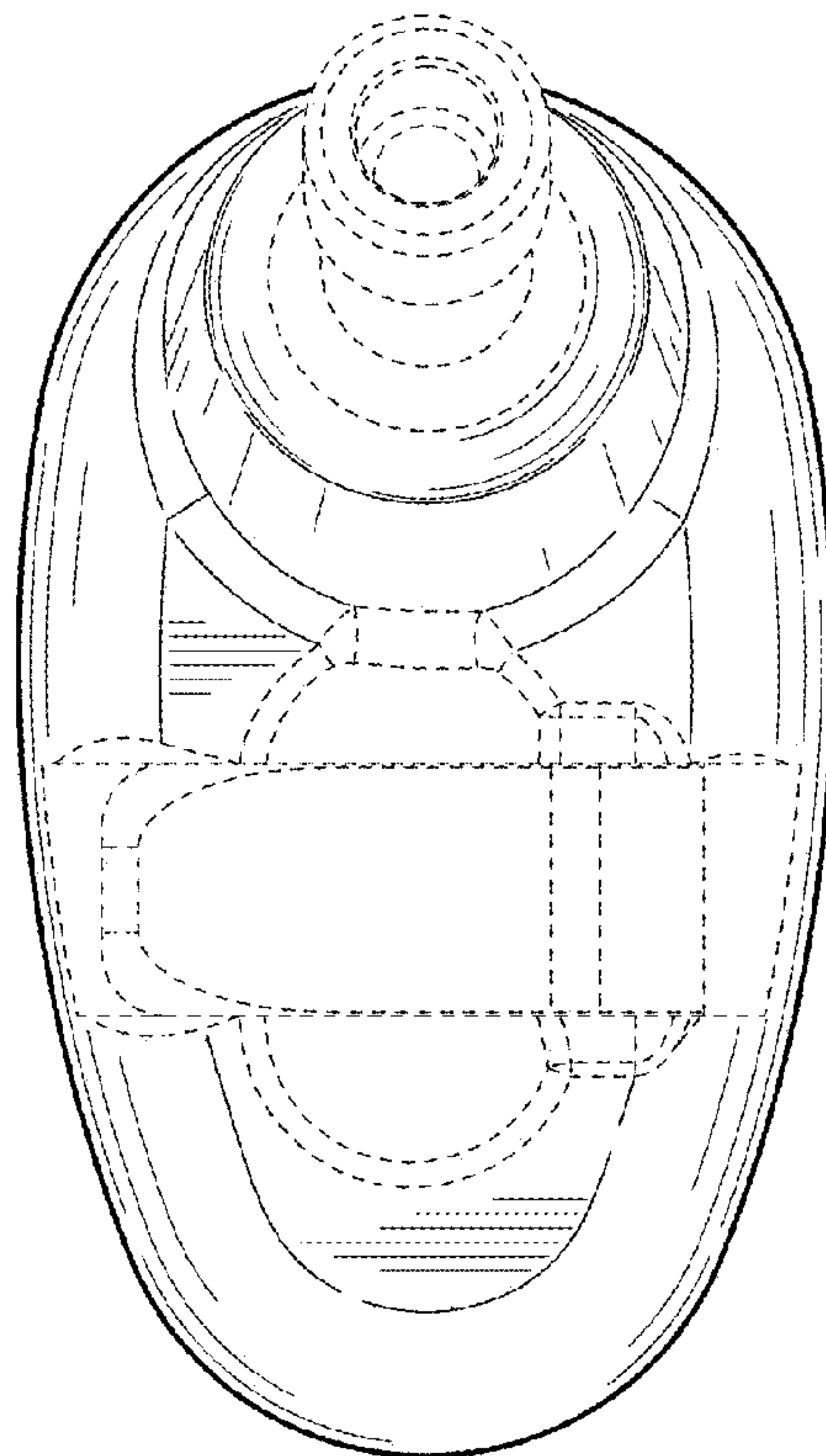


FIG. 4

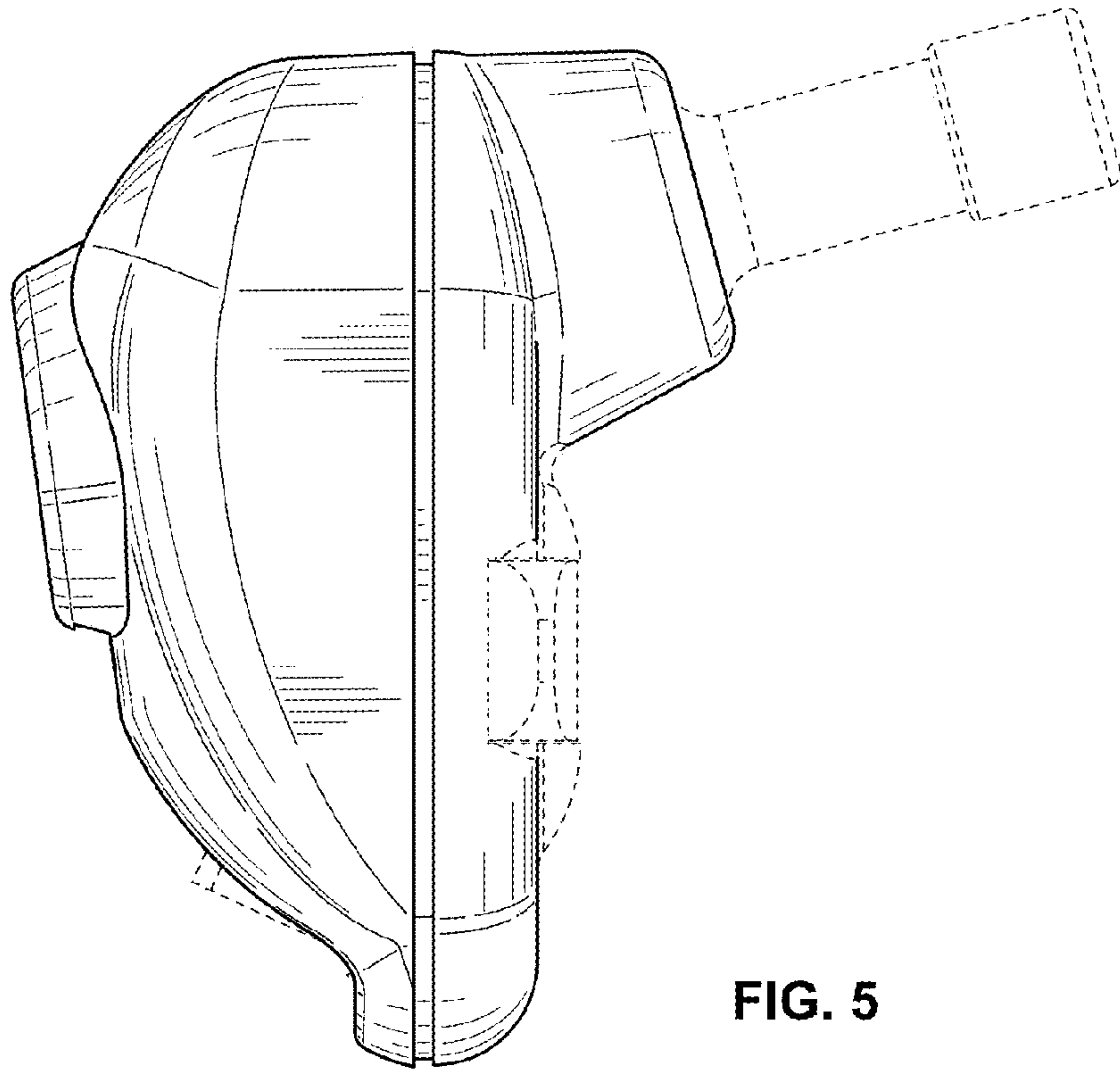


FIG. 5

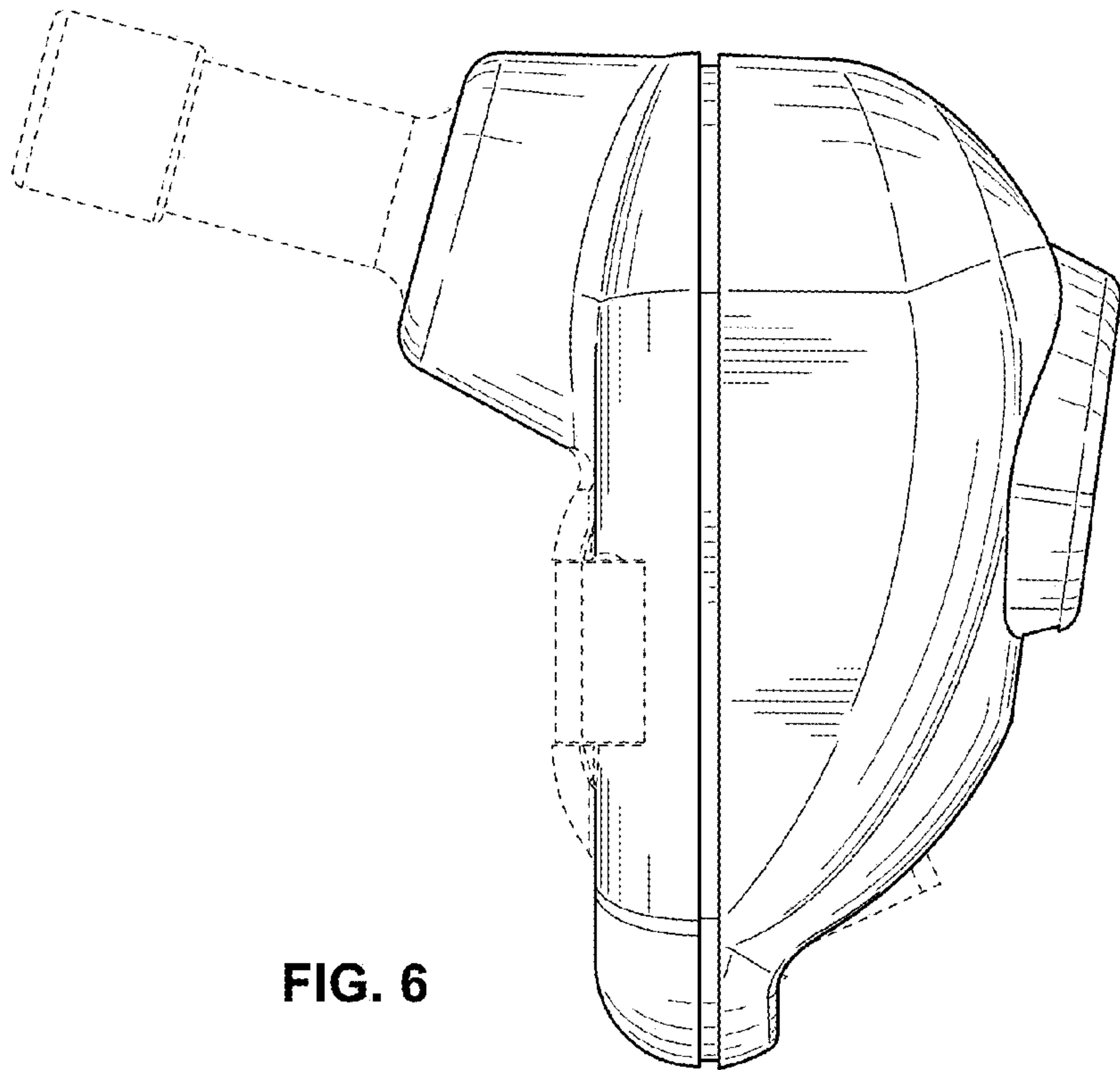


FIG. 6

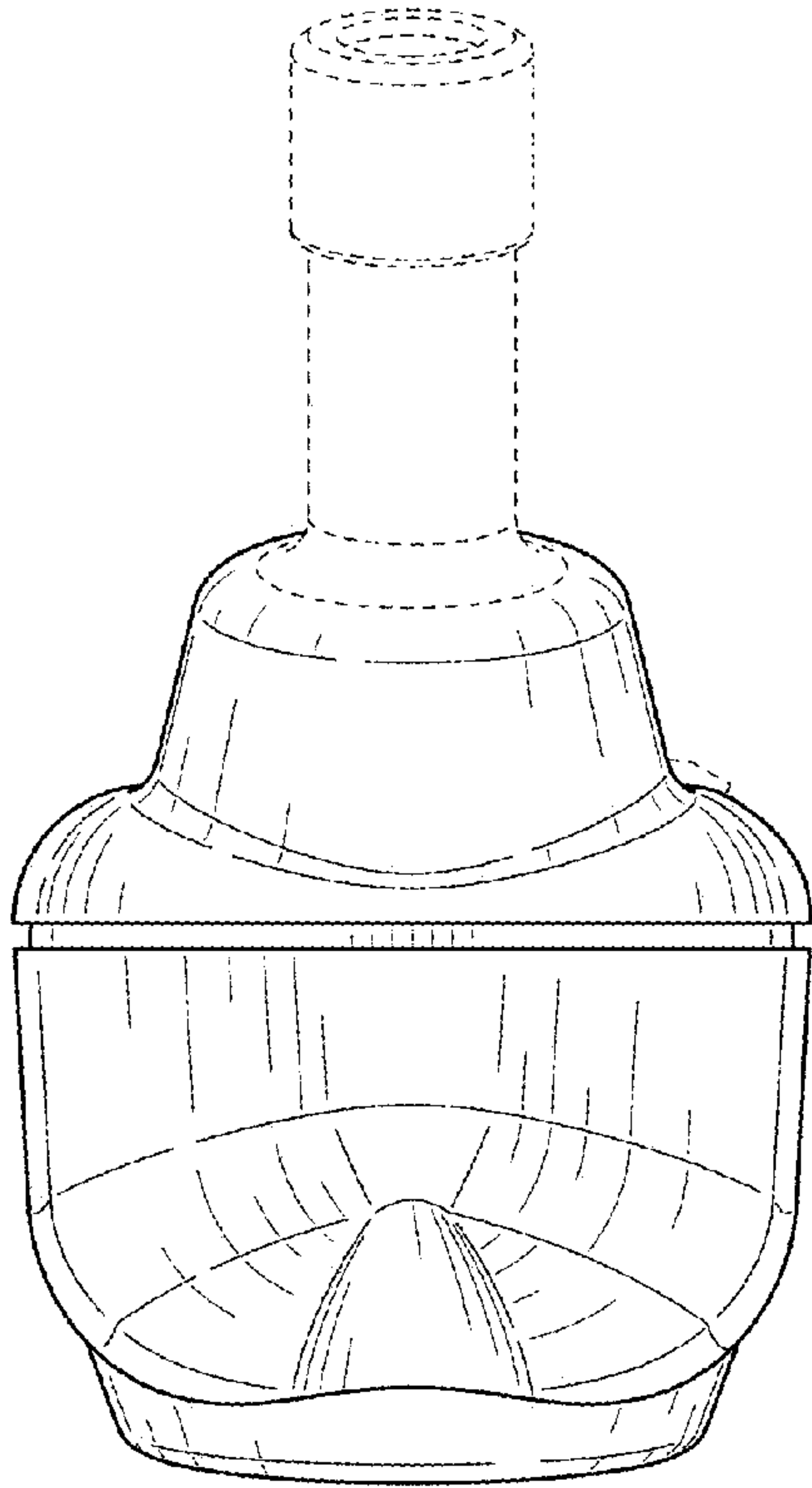


FIG. 7

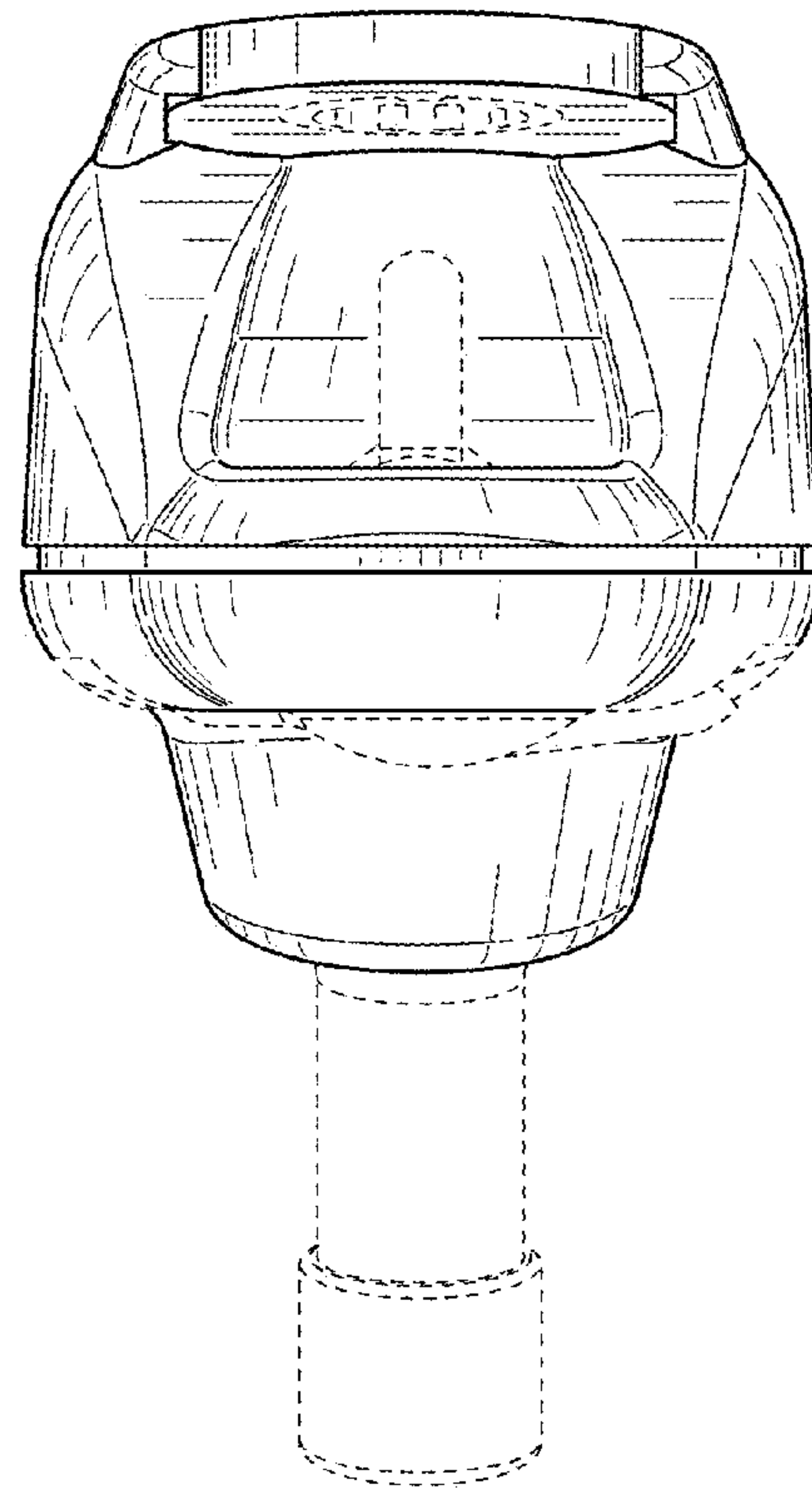


FIG. 8