



US00D705195S

(12) **United States Design Patent**
Inukai

(10) **Patent No.:** **US D705,195 S**

(45) **Date of Patent:** **** May 20, 2014**

(54) **EARPHONE**

(71) Applicant: **Sony Corporation**, Tokyo (JP)

(72) Inventor: **Hiromi Inukai**, Tokyo (JP)

(73) Assignee: **Sony Corporation**, Tokyo (JP)

(**) Term: **14 Years**

(21) Appl. No.: **29/454,947**

(22) Filed: **May 15, 2013**

(30) **Foreign Application Priority Data**

Dec. 28, 2012	(JP)	D2012-032136
Dec. 28, 2012	(JP)	D2012-032137
Dec. 28, 2012	(JP)	D2012-032138
Dec. 28, 2012	(JP)	D2012-032139

(51) **LOC (10) Cl.** **14-01**

(52) **U.S. Cl.**
 CPC **H04R 1/10** (2013.01)
 USPC **D14/223**

(58) **Field of Classification Search**
 CPC H04R 1/10
 USPC D14/223; D24/174; 379/430, 431;
 381/380, 381, 322; 128/864, 865, 866;
 D28/91.1; D9/434, 522; 455/90.3,
 455/575.2; D20/11, 28; 446/431
 See application file for complete search history.

(56) **References Cited**

U.S. PATENT DOCUMENTS

D88,504 S	*	12/1932	Delaize	D9/552
4,595,369 A	*	6/1986	Downs	434/302
4,736,430 A	*	4/1988	Schroder	381/322
4,991,838 A	*	2/1991	Groves	473/451
5,800,244 A	*	9/1998	Barton, Jr.	446/431

(Continued)

Primary Examiner — Paula Greene

(74) *Attorney, Agent, or Firm* — Rader, Fishman & Grauer PLLC

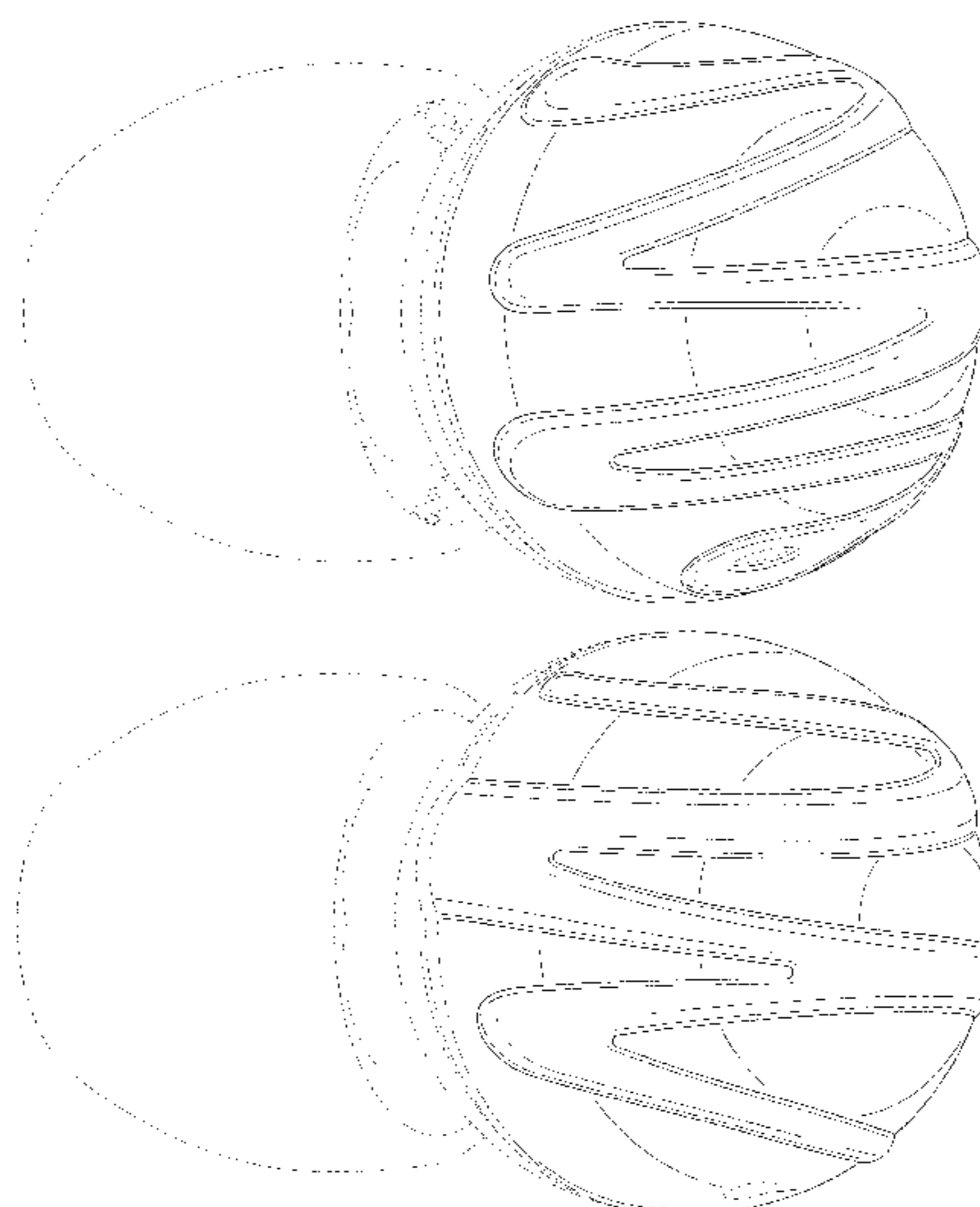
(57) **CLAIM**

The ornamental design for an earphone, as shown and described.

DESCRIPTION

FIG. 1 is a perspective view of a first embodiment of an earphone showing my new design;
 FIG. 2 is a front elevational view thereof;
 FIG. 3 is a rear elevational view thereof;
 FIG. 4 is a left side elevational view thereof;
 FIG. 5 is a right side elevational view thereof;
 FIG. 6 is a top plan view thereof; and
 FIG. 7 is a bottom plan view thereof.
 FIG. 8 is a perspective view of a second embodiment of an earphone showing my new design;
 FIG. 9 is a front elevational view thereof;
 FIG. 10 is a rear elevational view thereof;
 FIG. 11 is a left side elevational view thereof;
 FIG. 12 is a right side elevational view thereof;
 FIG. 13 is a top plan view thereof; and
 FIG. 14 is a bottom plan view thereof
 FIG. 15 is a perspective view of a third embodiment of an earphone showing my new design;
 FIG. 16 is a front elevational view thereof;
 FIG. 17 is a rear elevational view thereof;
 FIG. 18 is a left side elevational view thereof;
 FIG. 19 is a right side elevational view thereof;
 FIG. 20 is a top plan view thereof; and
 FIG. 21 is a bottom plan view thereof
 FIG. 22 is a perspective view of a fourth embodiment of an earphone showing my new design;
 FIG. 23 is a front elevational view thereof;
 FIG. 24 is a rear elevational view thereof;
 FIG. 25 is a left side elevational view thereof;
 FIG. 26 is a right side elevational view thereof;
 FIG. 27 is a top plan view thereof; and,
 FIG. 28 is a bottom plan view thereof.
 Portions shown as broken lines are for illustrative purposes only and form no part of the claimed design.

1 Claim, 28 Drawing Sheets



(56)

References Cited

U.S. PATENT DOCUMENTS

D429,146 S *	8/2000	Thibiant et al.	D9/697	D627,766 S *	11/2010	Arimoto	D14/223
D487,077 S *	2/2004	Obata	D14/223	D629,793 S *	12/2010	Goransson	D14/223
6,738,487 B1 *	5/2004	Nageno et al.	381/322	D633,086 S *	2/2011	Chen	D14/223
D512,982 S *	12/2005	Rodarte	D14/205	D641,008 S *	7/2011	Lee et al.	D14/223
D591,721 S *	5/2009	Densho	D14/205	D648,708 S	11/2011	Katsuraku et al.	
D602,905 S	10/2009	Morisawa		D653,242 S	1/2012	Katsuraku et al.	
D605,182 S *	12/2009	Fagnot	D14/223	D663,291 S *	7/2012	Gondo	D14/223
D619,122 S *	7/2010	Nomura	D14/223	D664,523 S *	7/2012	Naitou	D14/223
D621,389 S *	8/2010	Nagayama et al.	D14/223	D669,453 S *	10/2012	Katsuraku et al.	D14/223
				D674,377 S *	1/2013	Schaefer	D14/223
				D685,769 S *	7/2013	Mogili	D14/223
				2013/0034260 A1 *	2/2013	Greger et al.	381/380

* cited by examiner

FIG.1

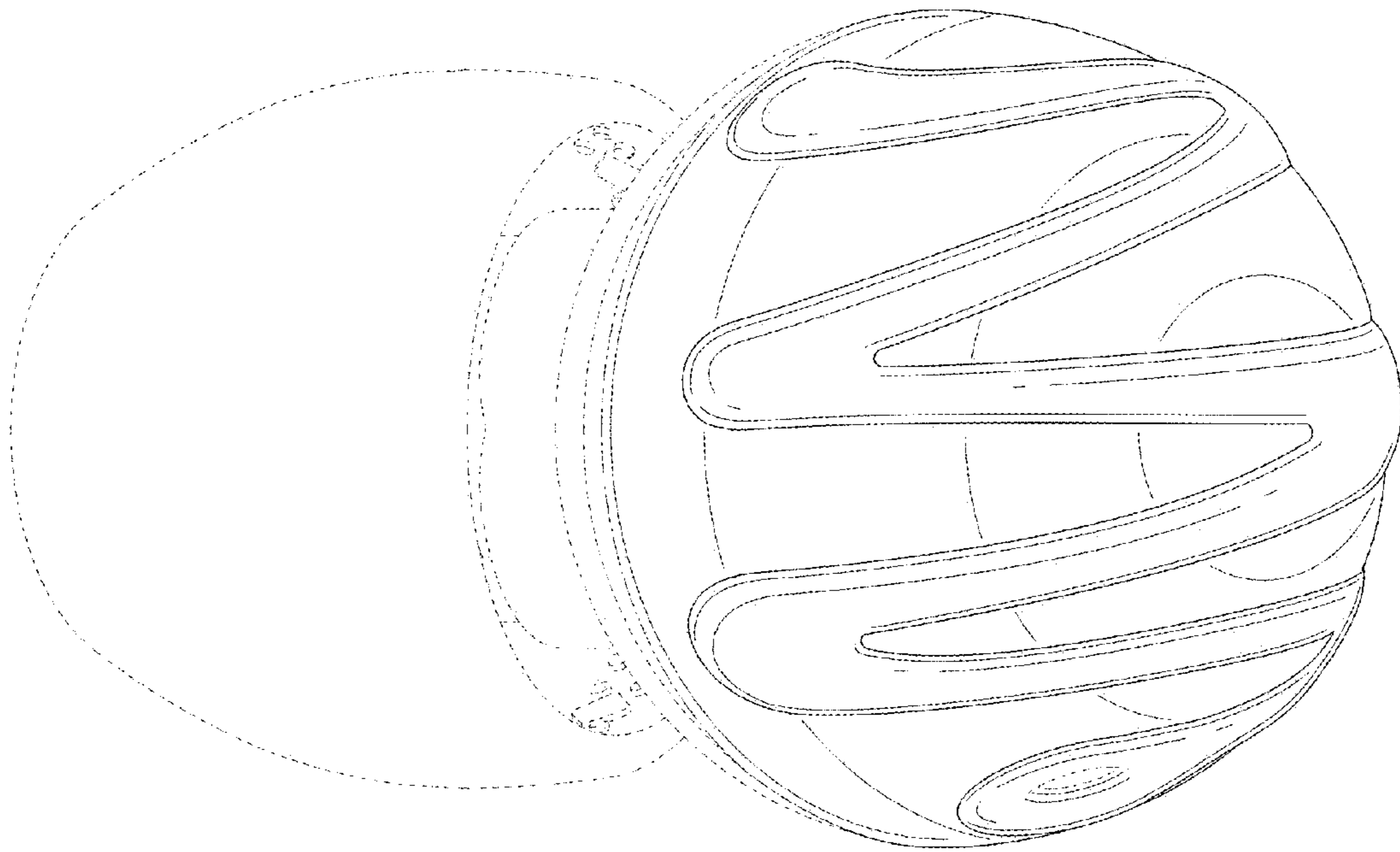


FIG.2

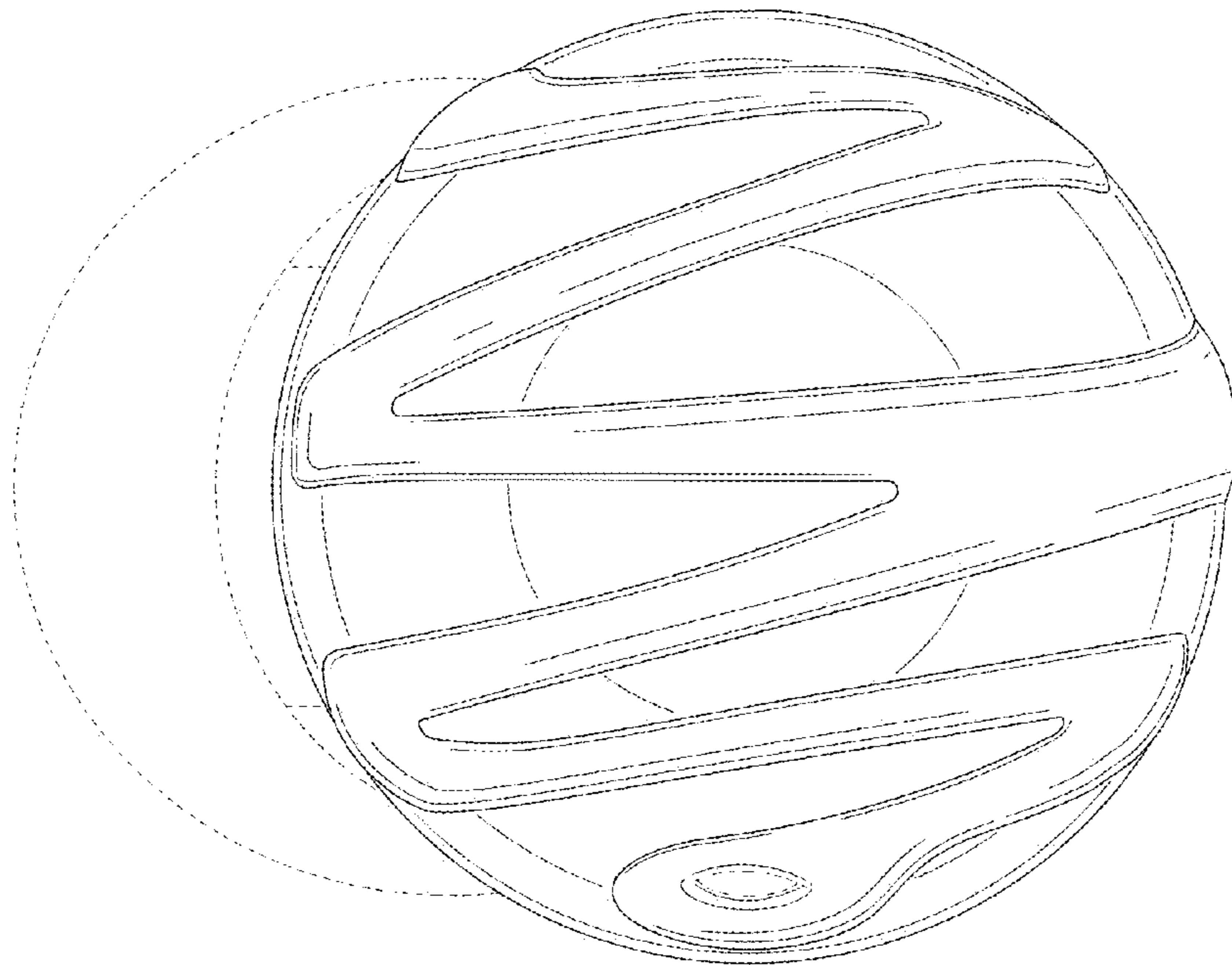


FIG.3

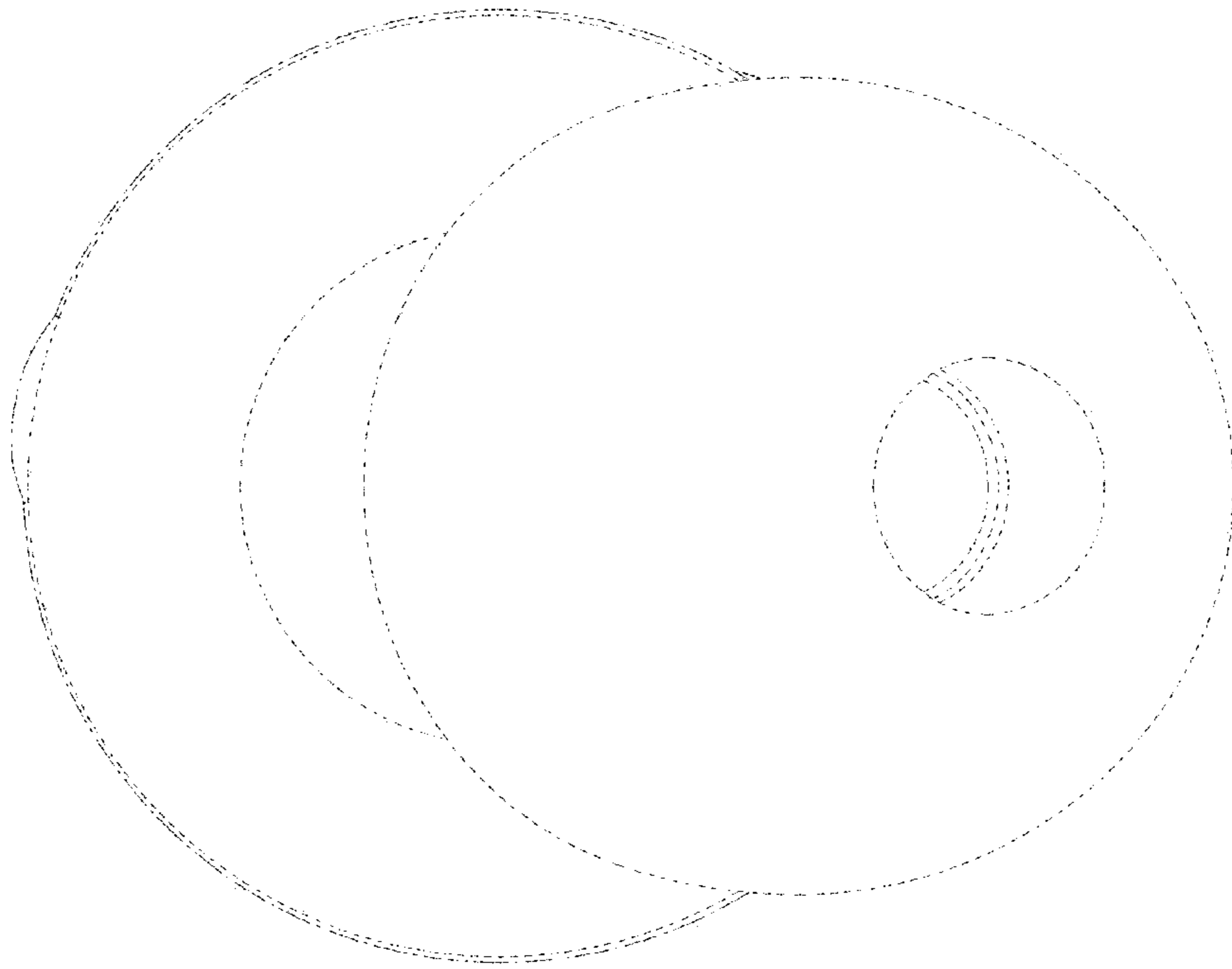


FIG.4

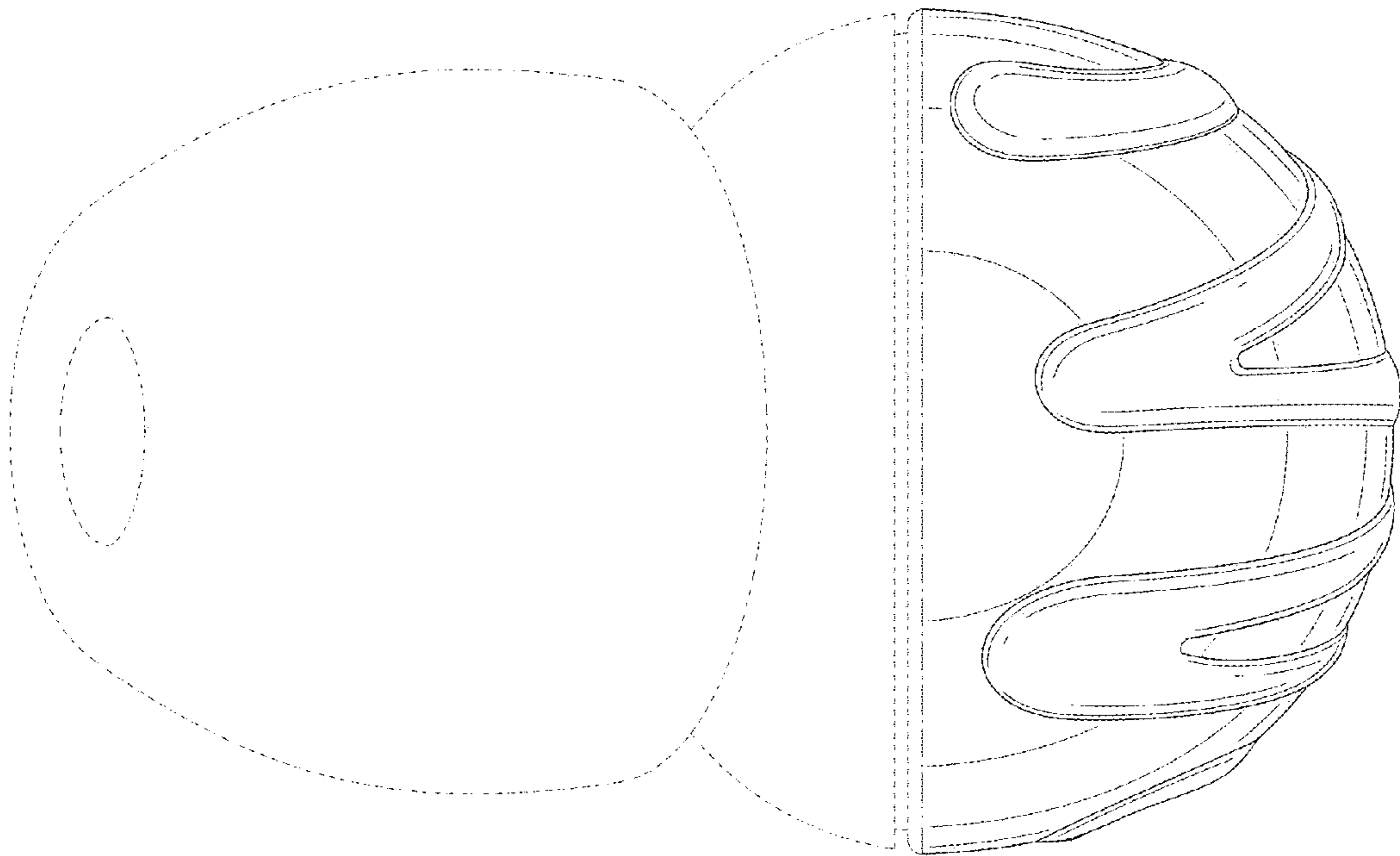


FIG.5

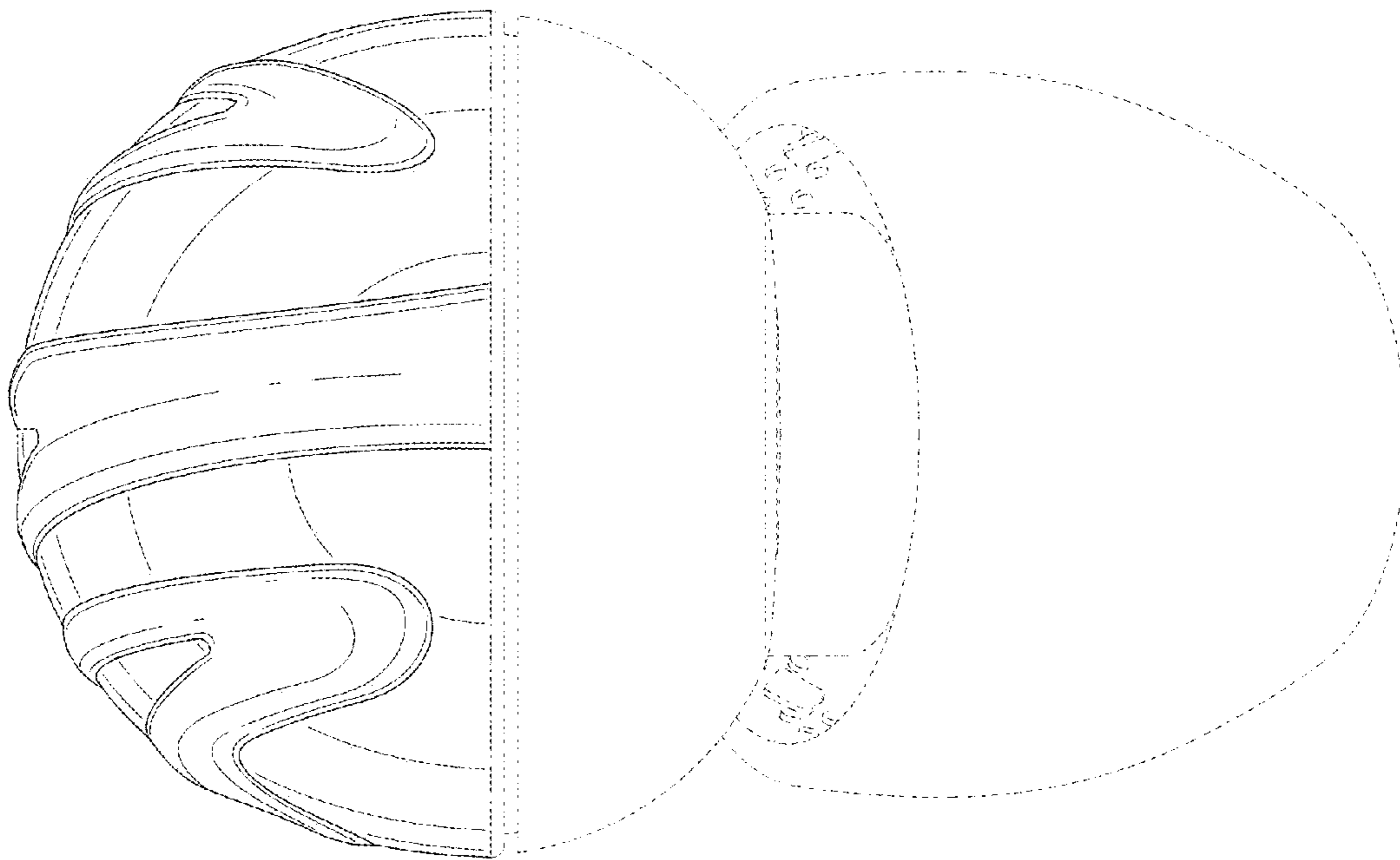


FIG.6

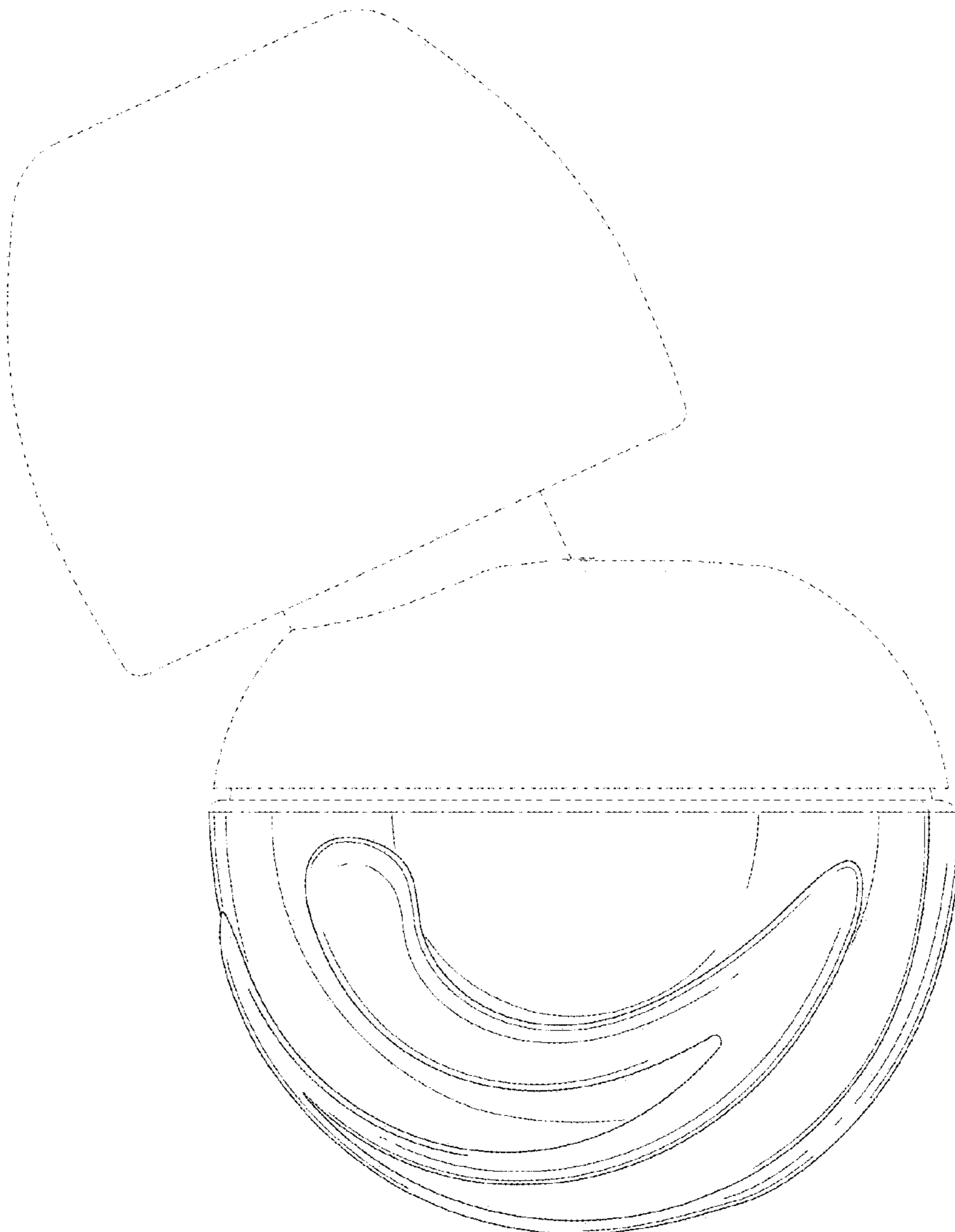


FIG.7

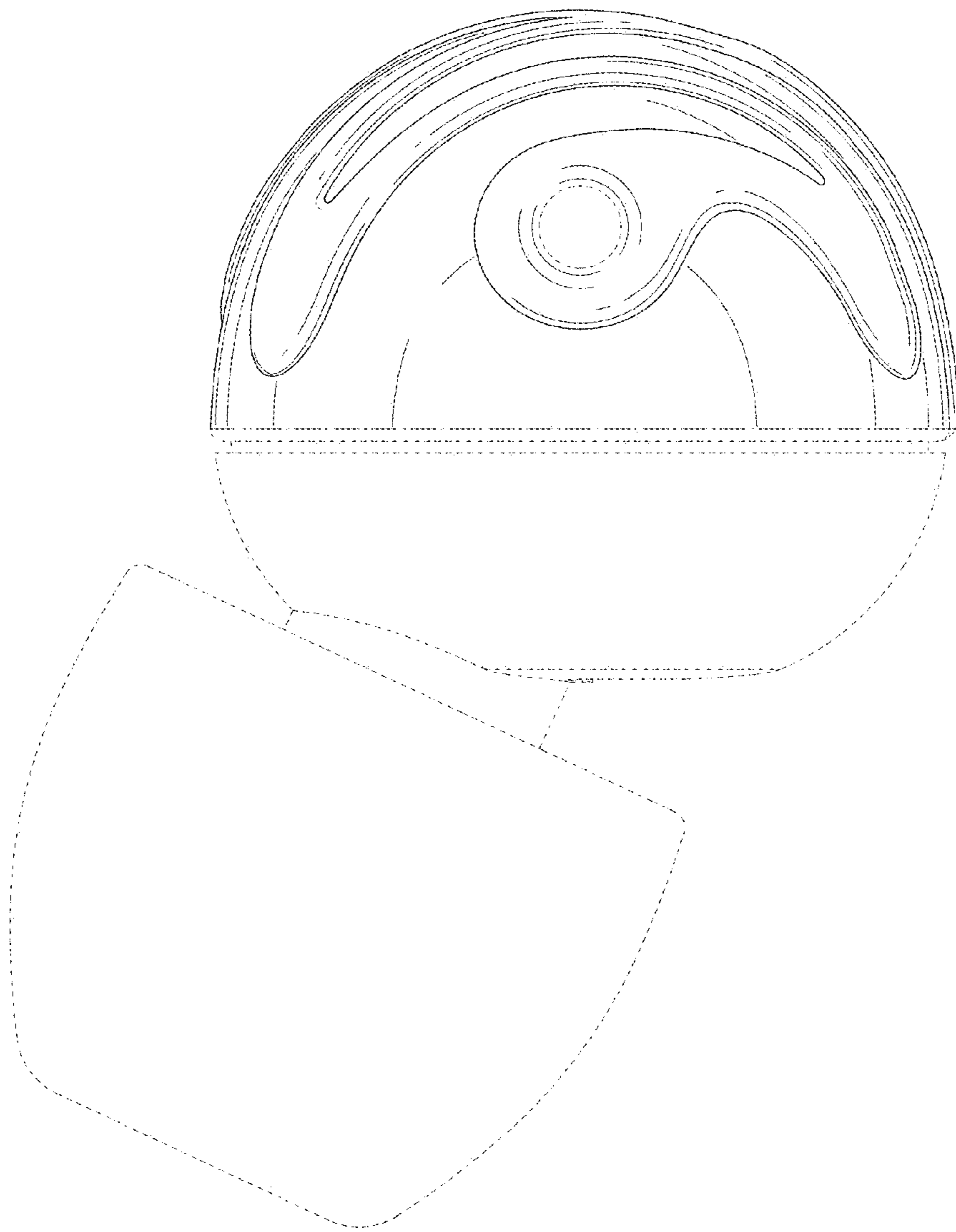


FIG. 8

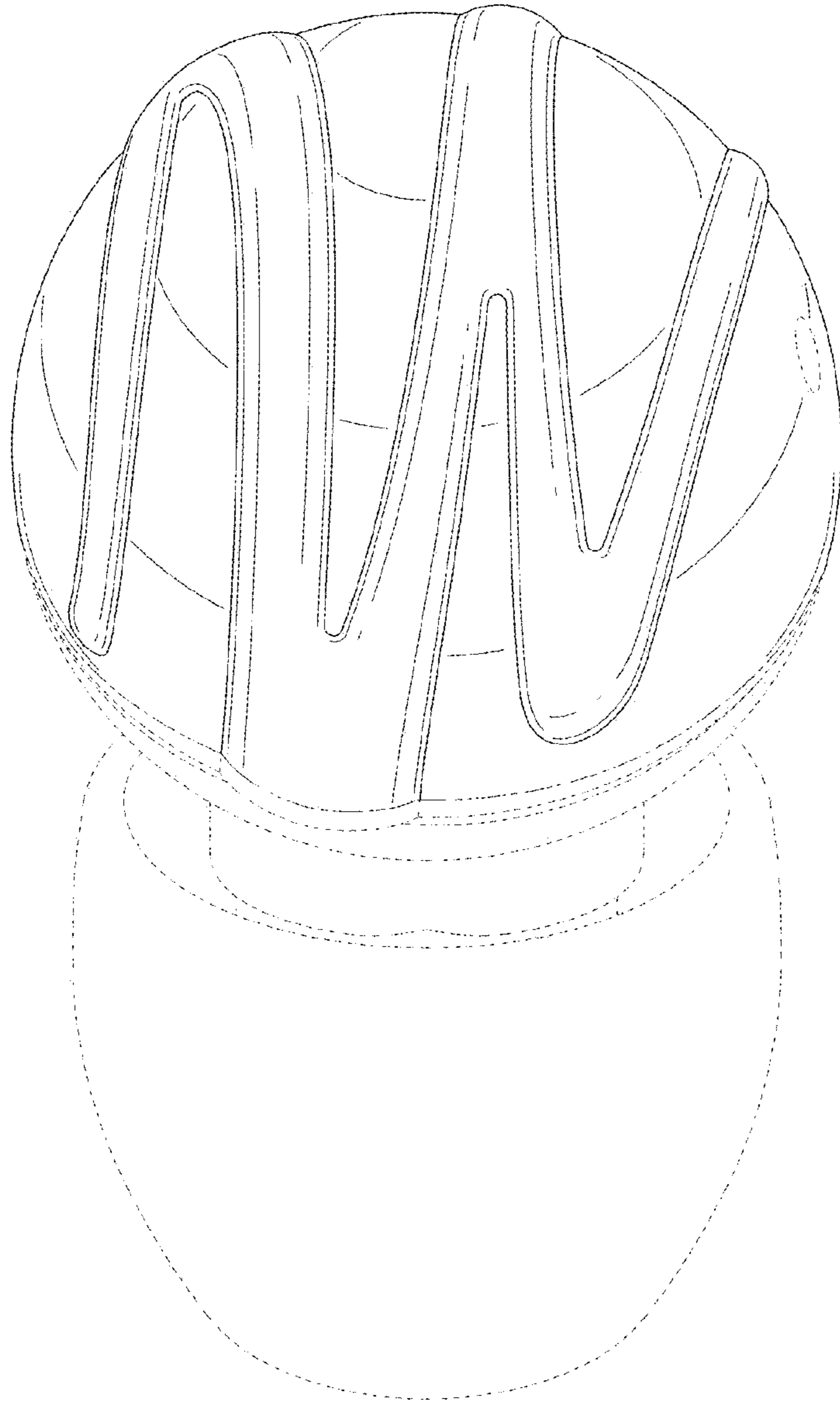


FIG.9

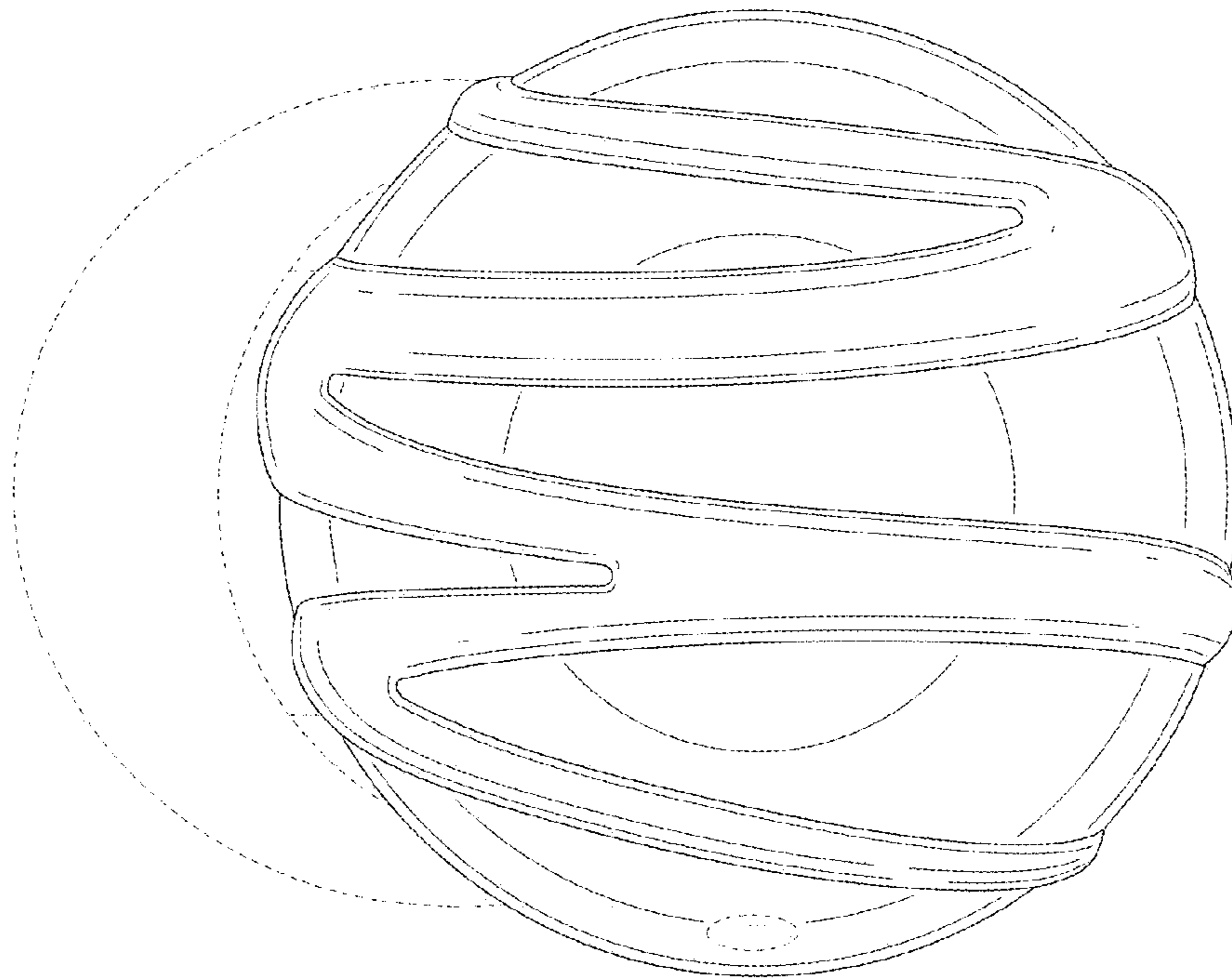


FIG.10

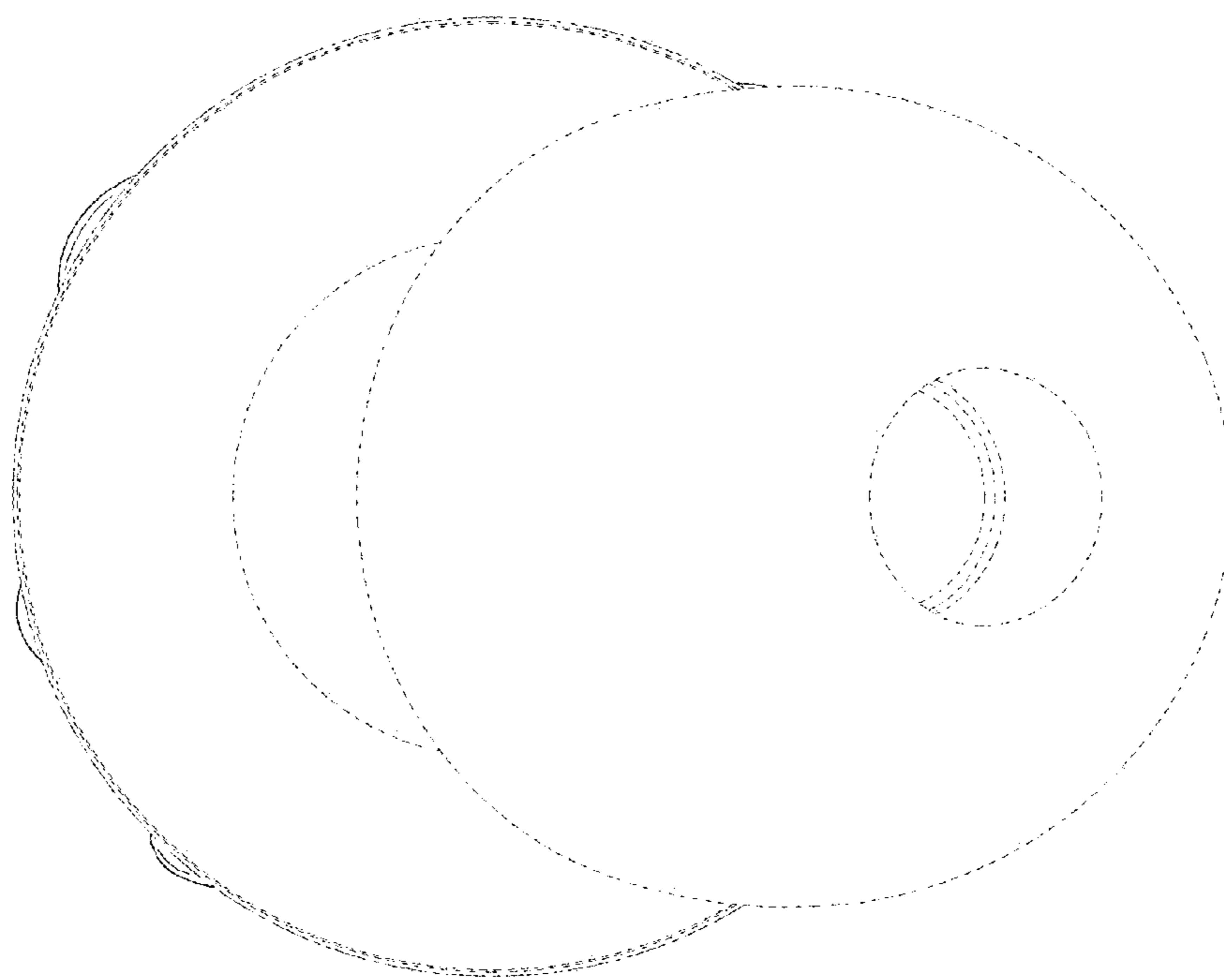


FIG.11

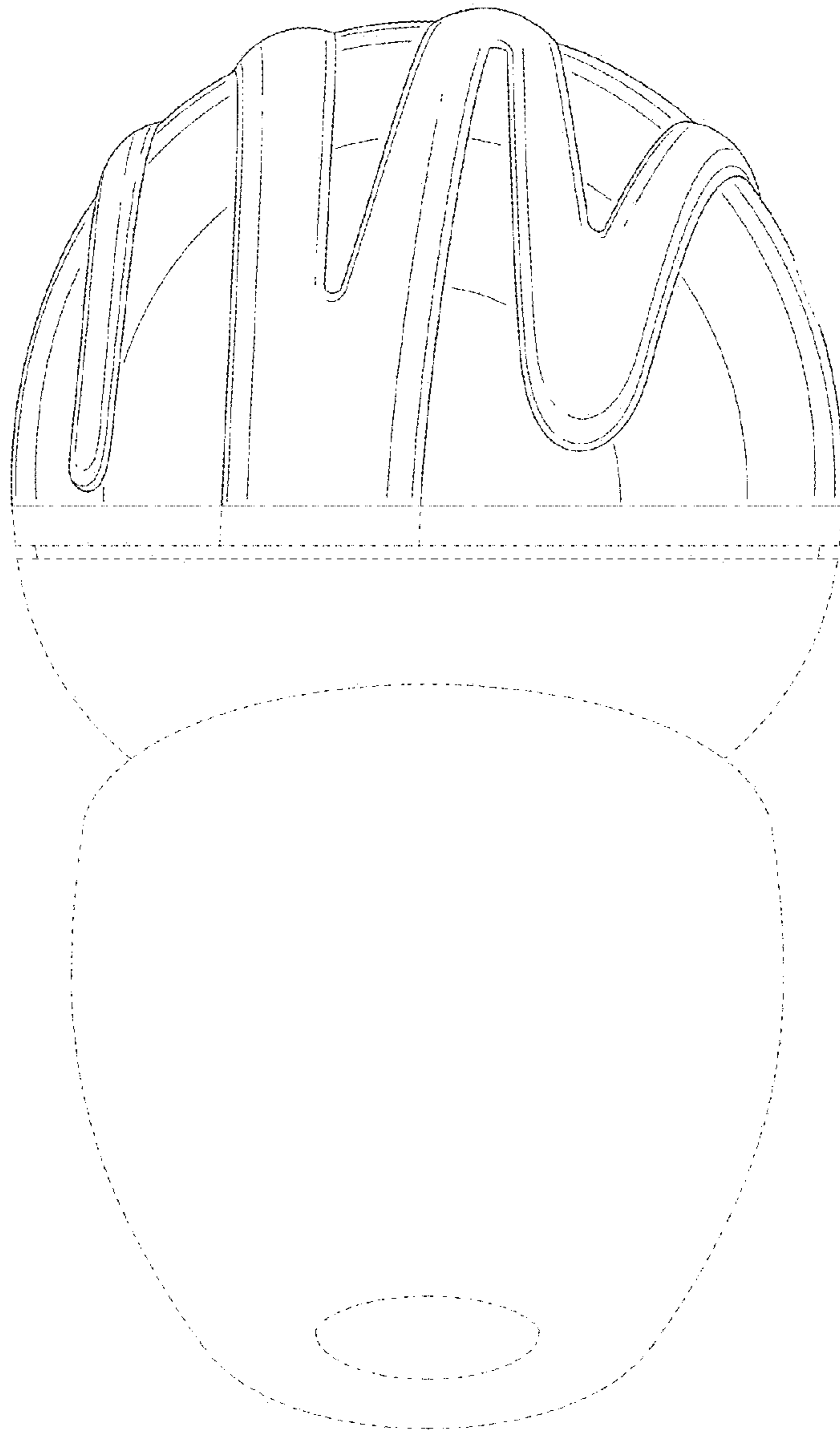


FIG.12

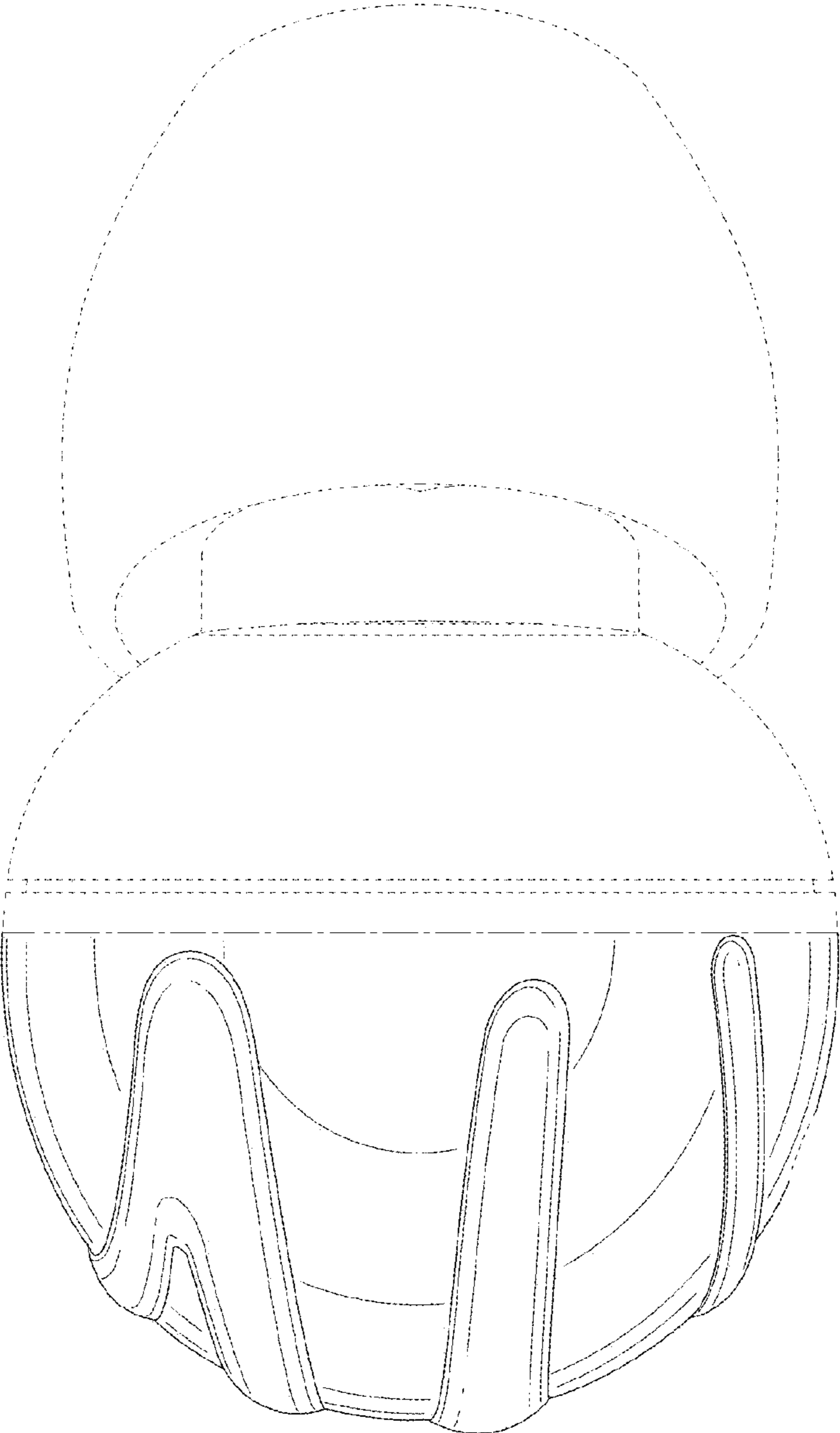


FIG.13

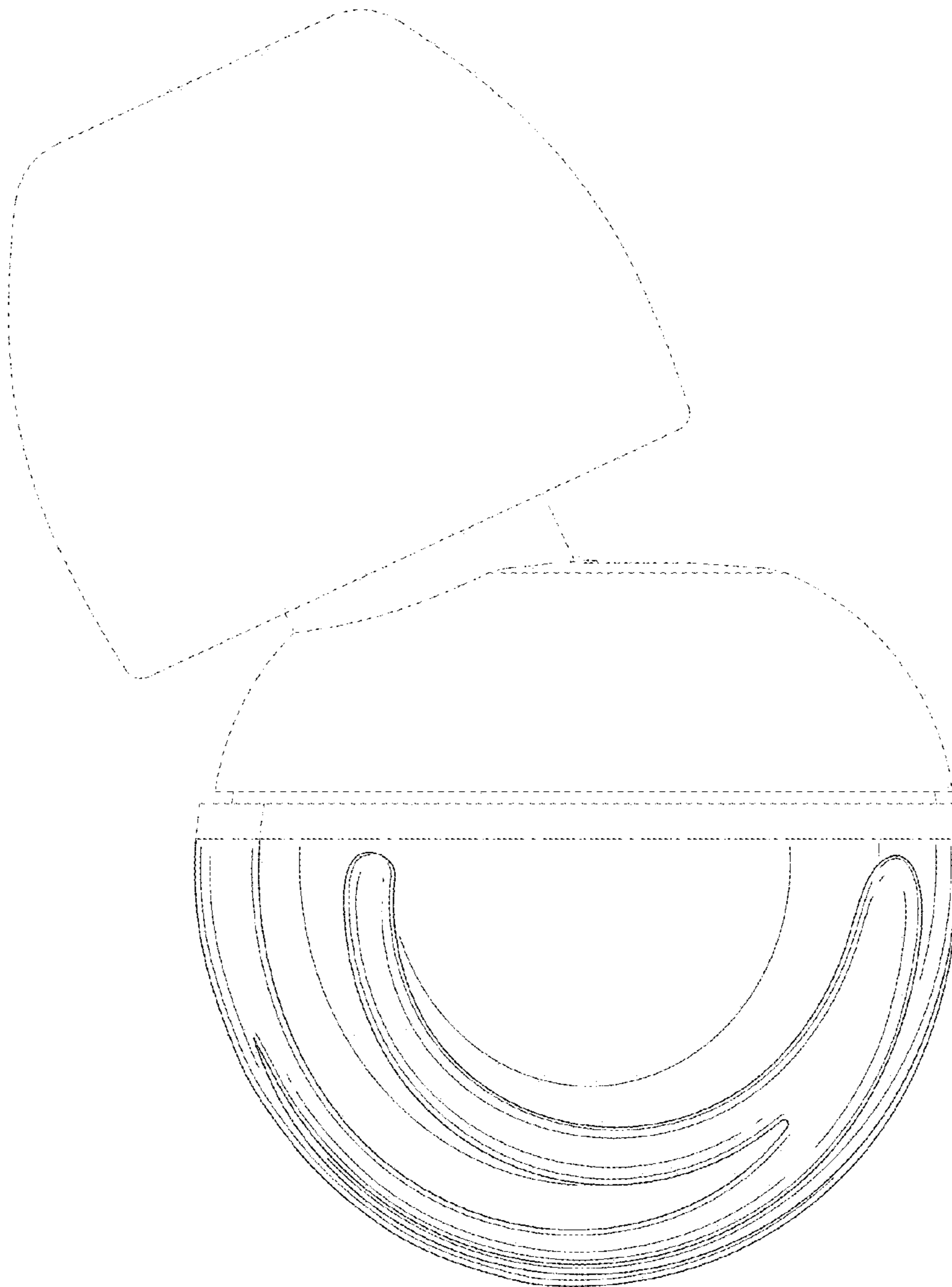


FIG.14

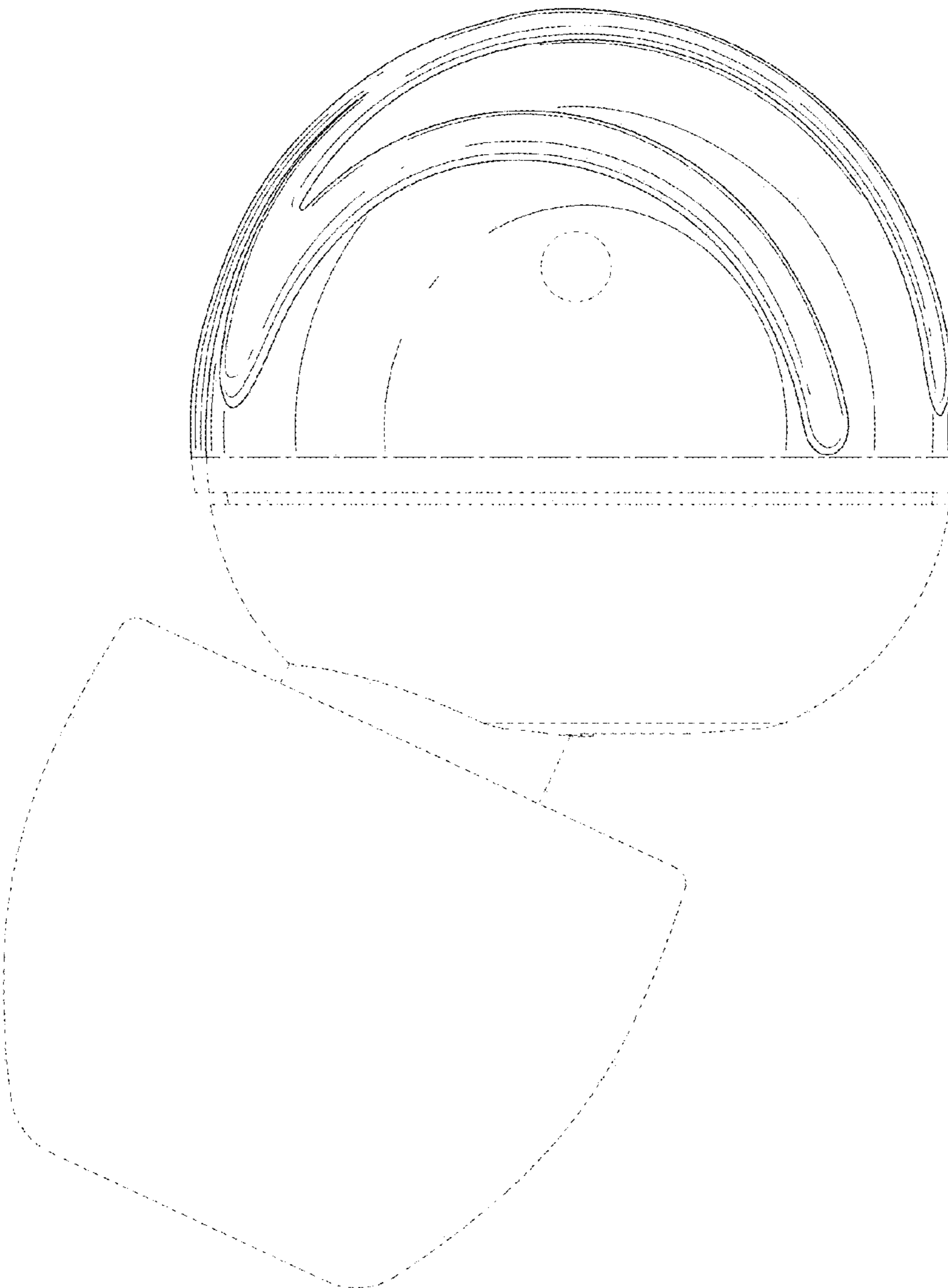


FIG.15

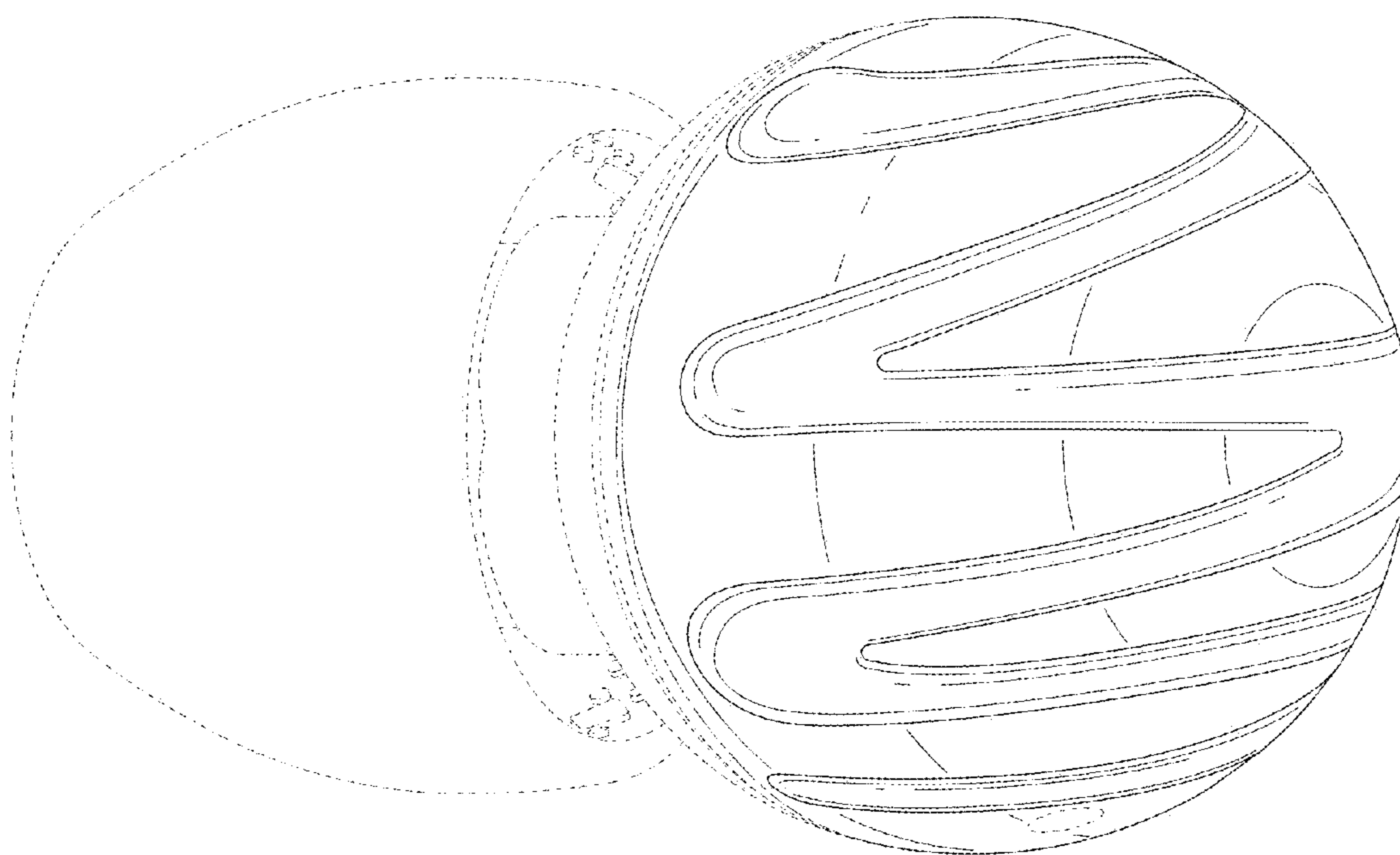


FIG.16

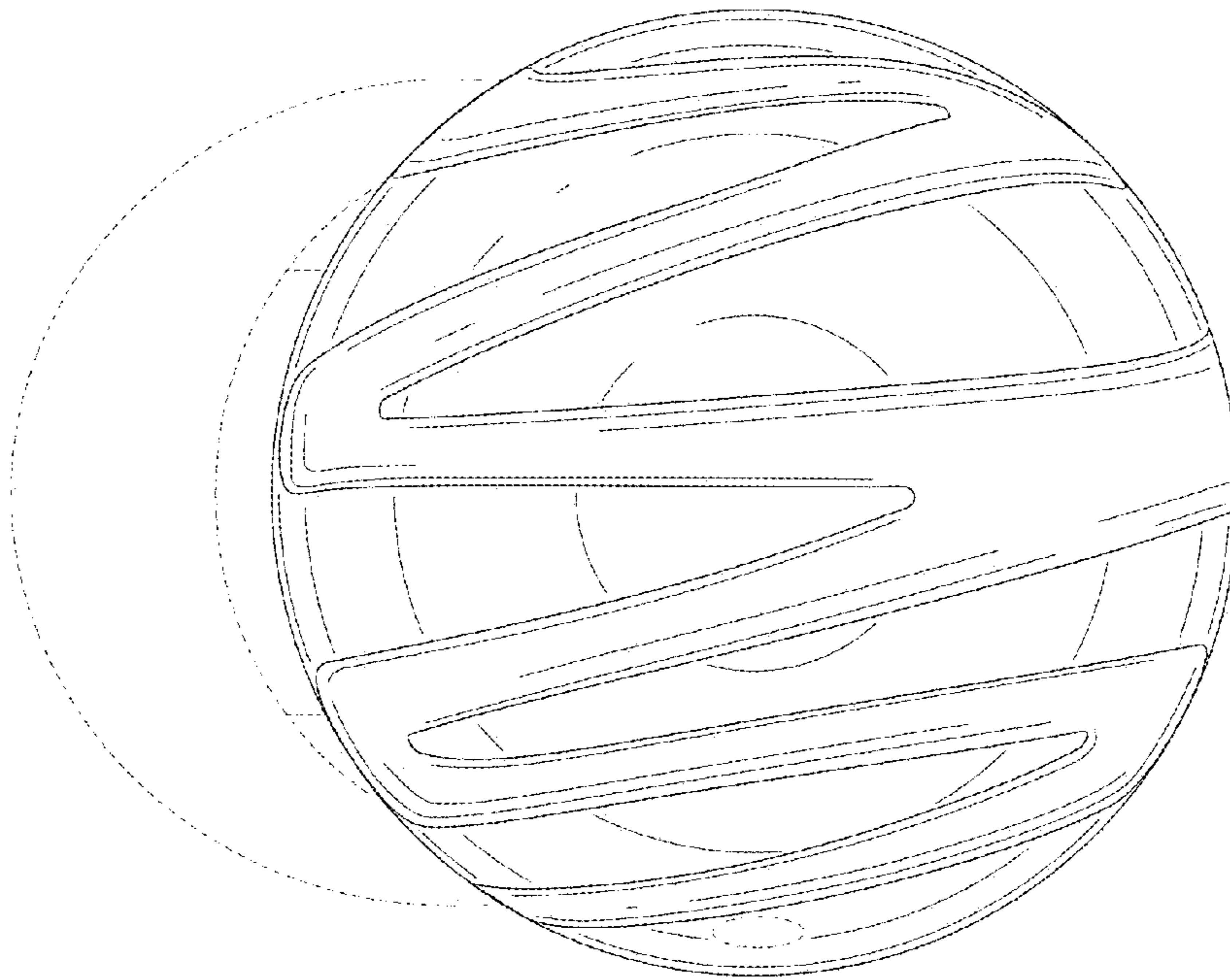


FIG.17

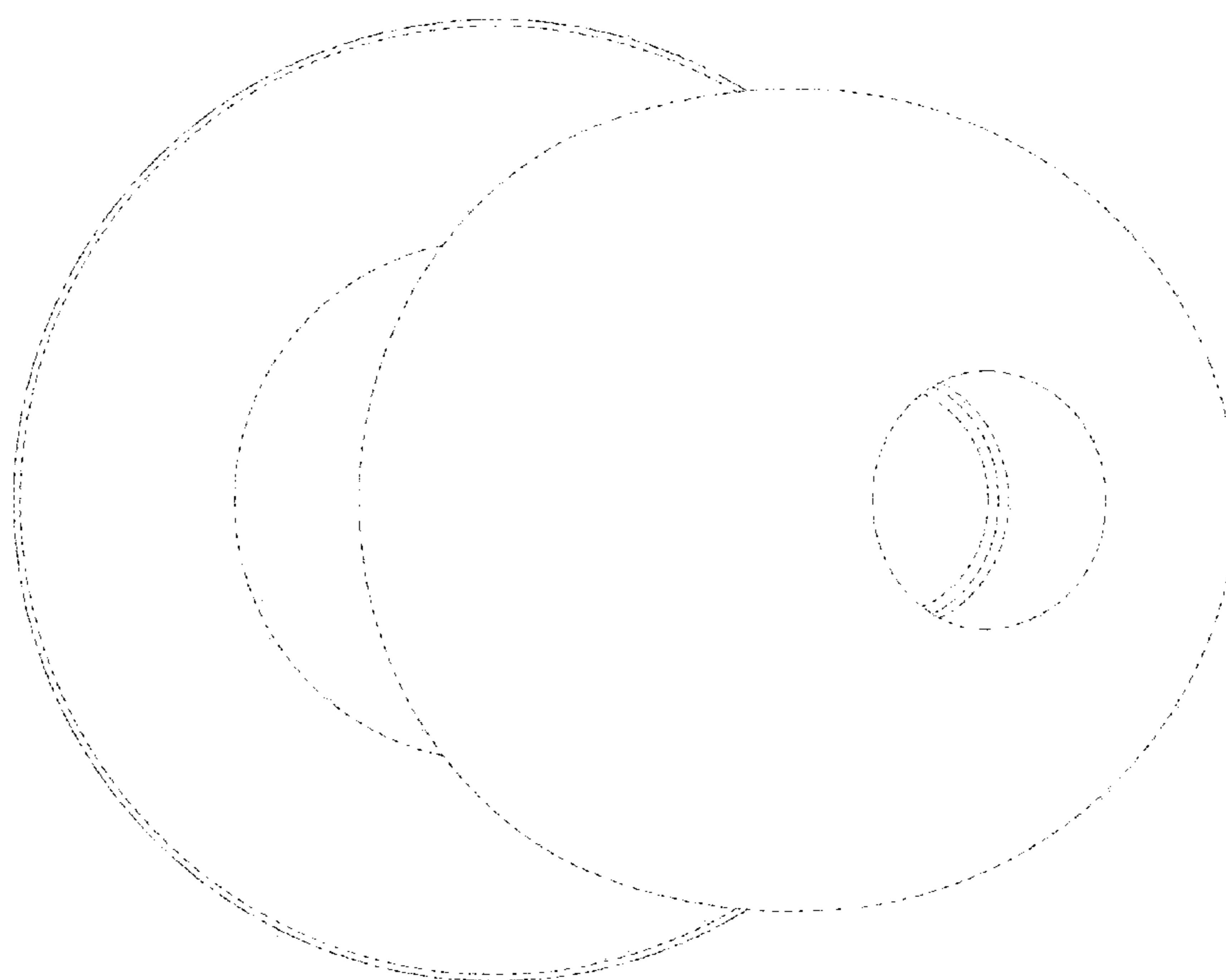


FIG.18

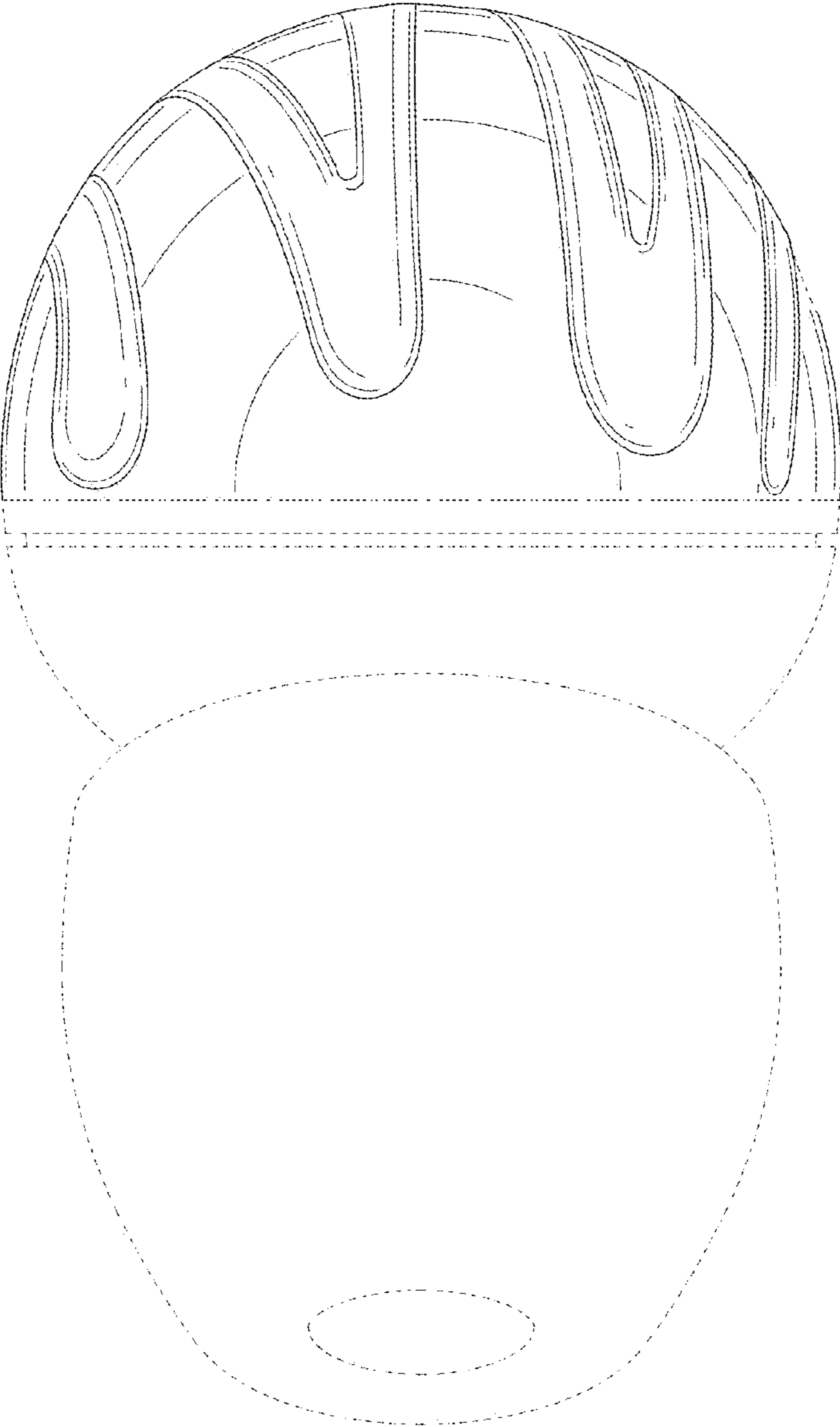


FIG. 19

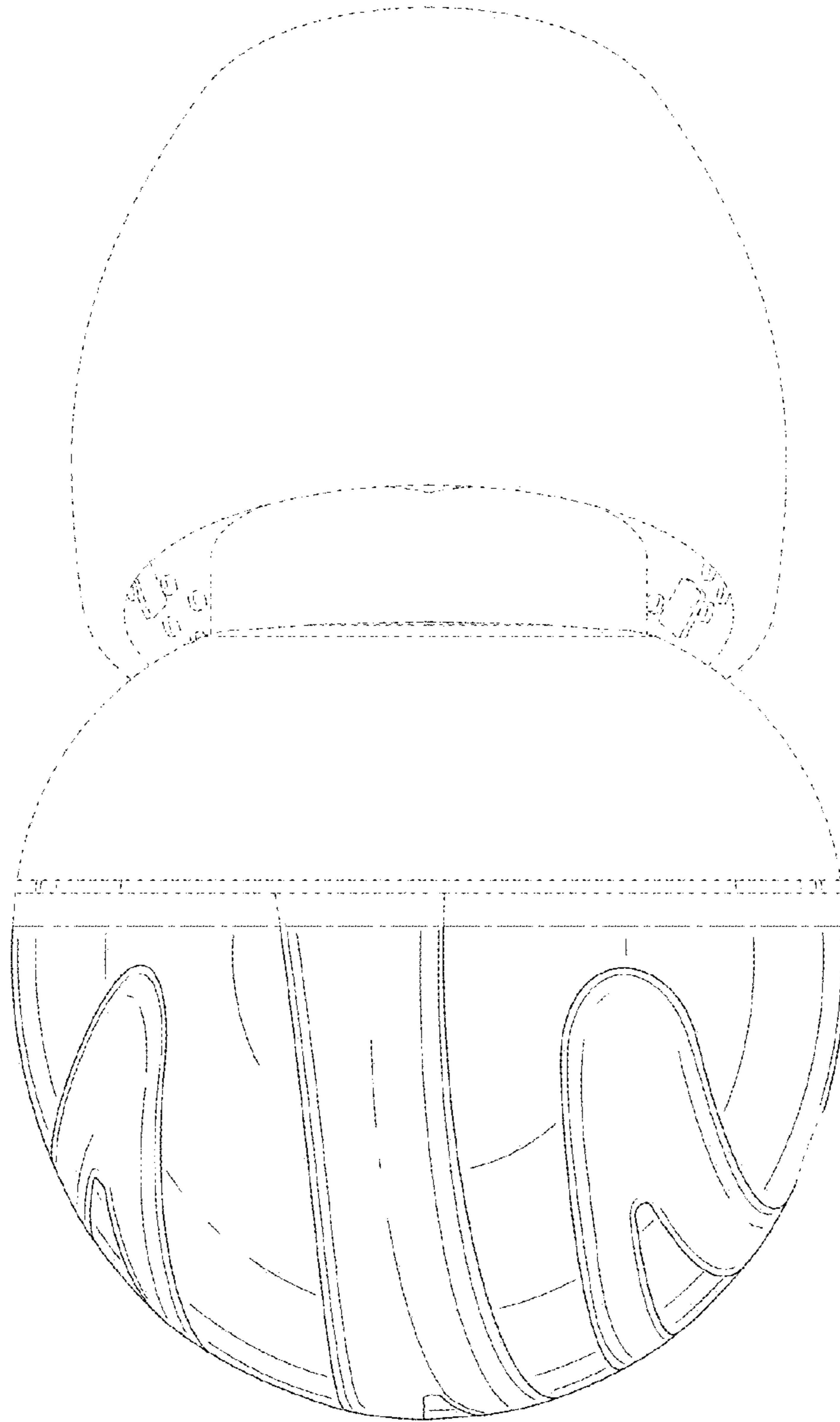


FIG.20

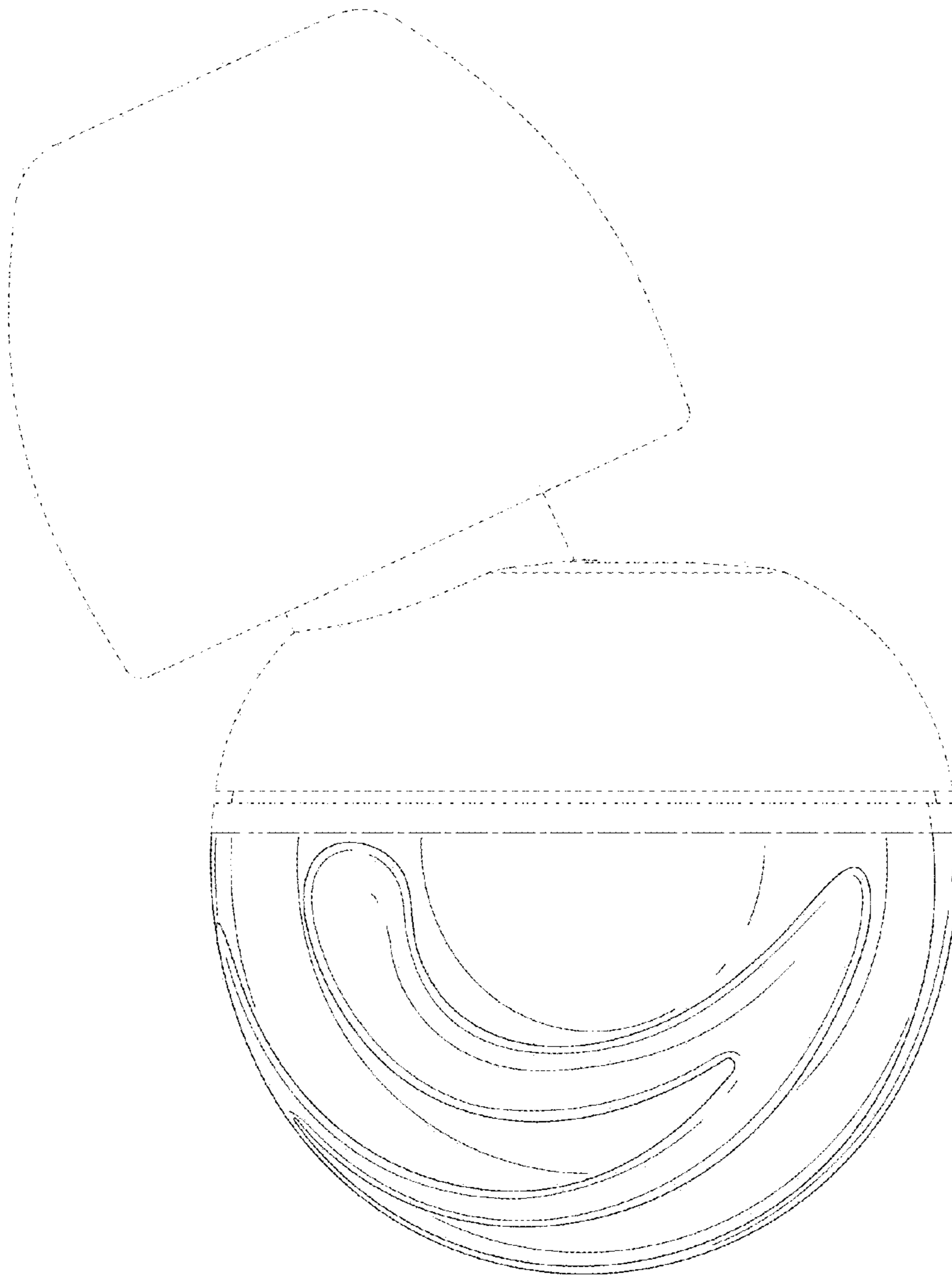


FIG.21

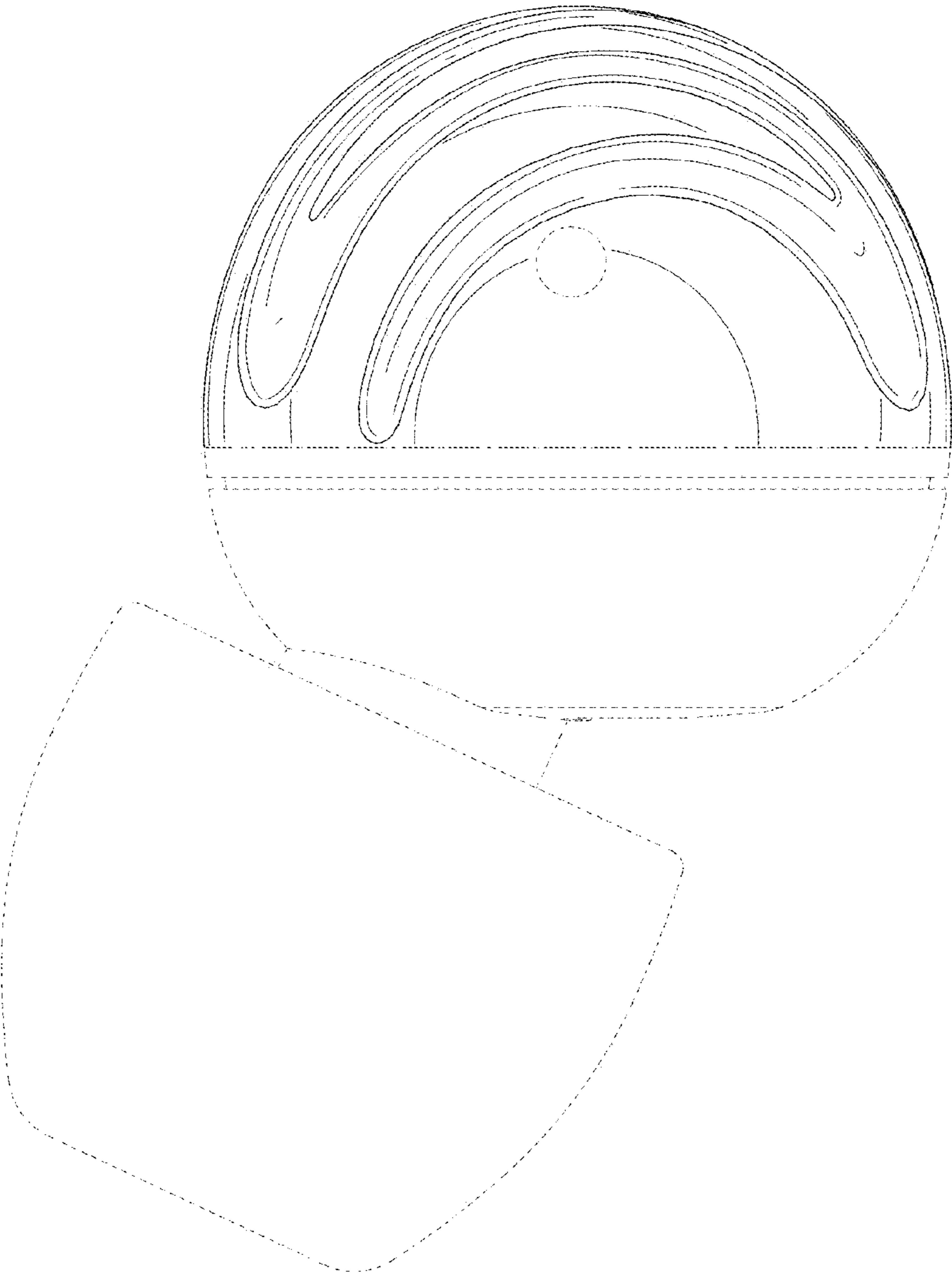


FIG.22

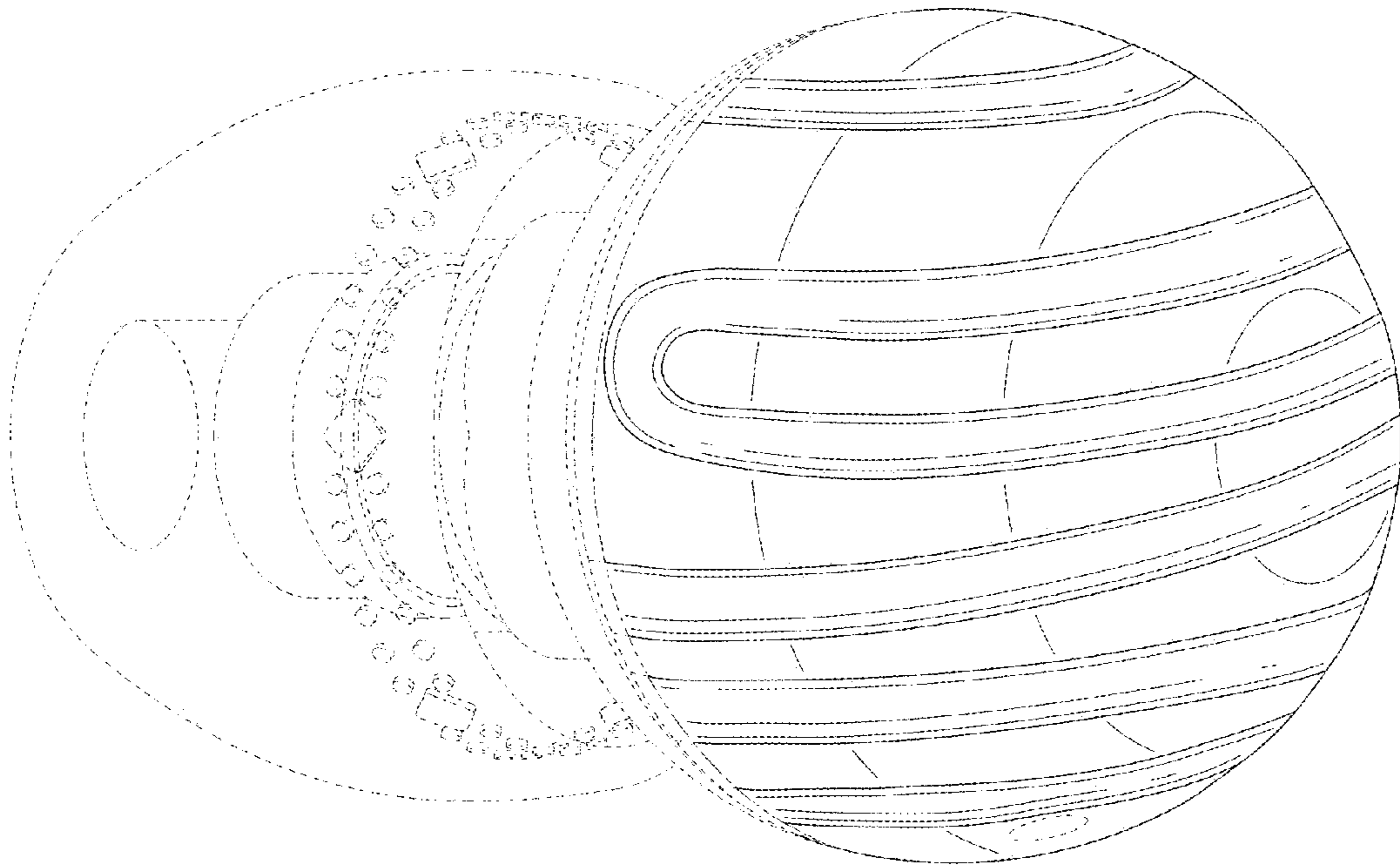


FIG.23

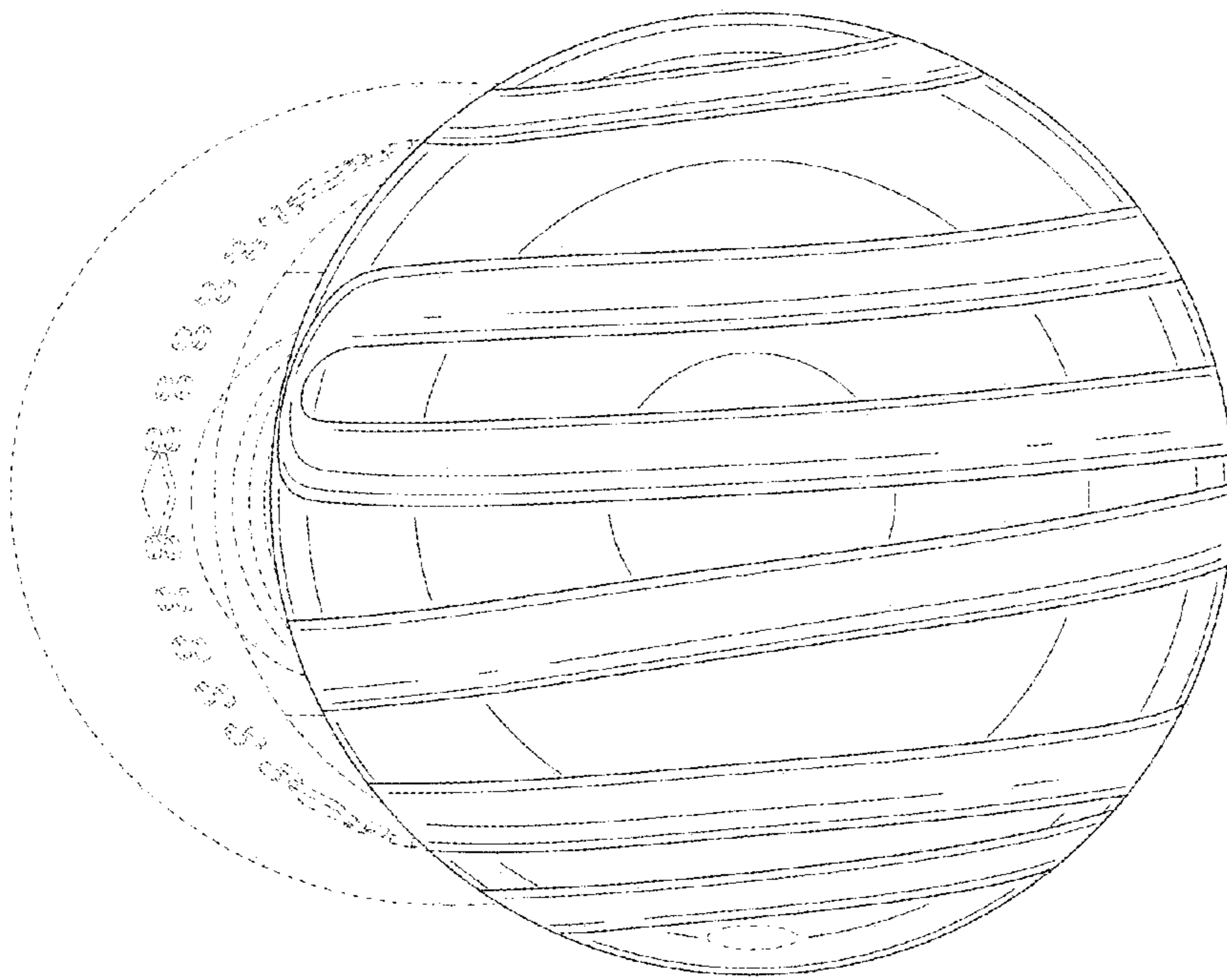


FIG.24

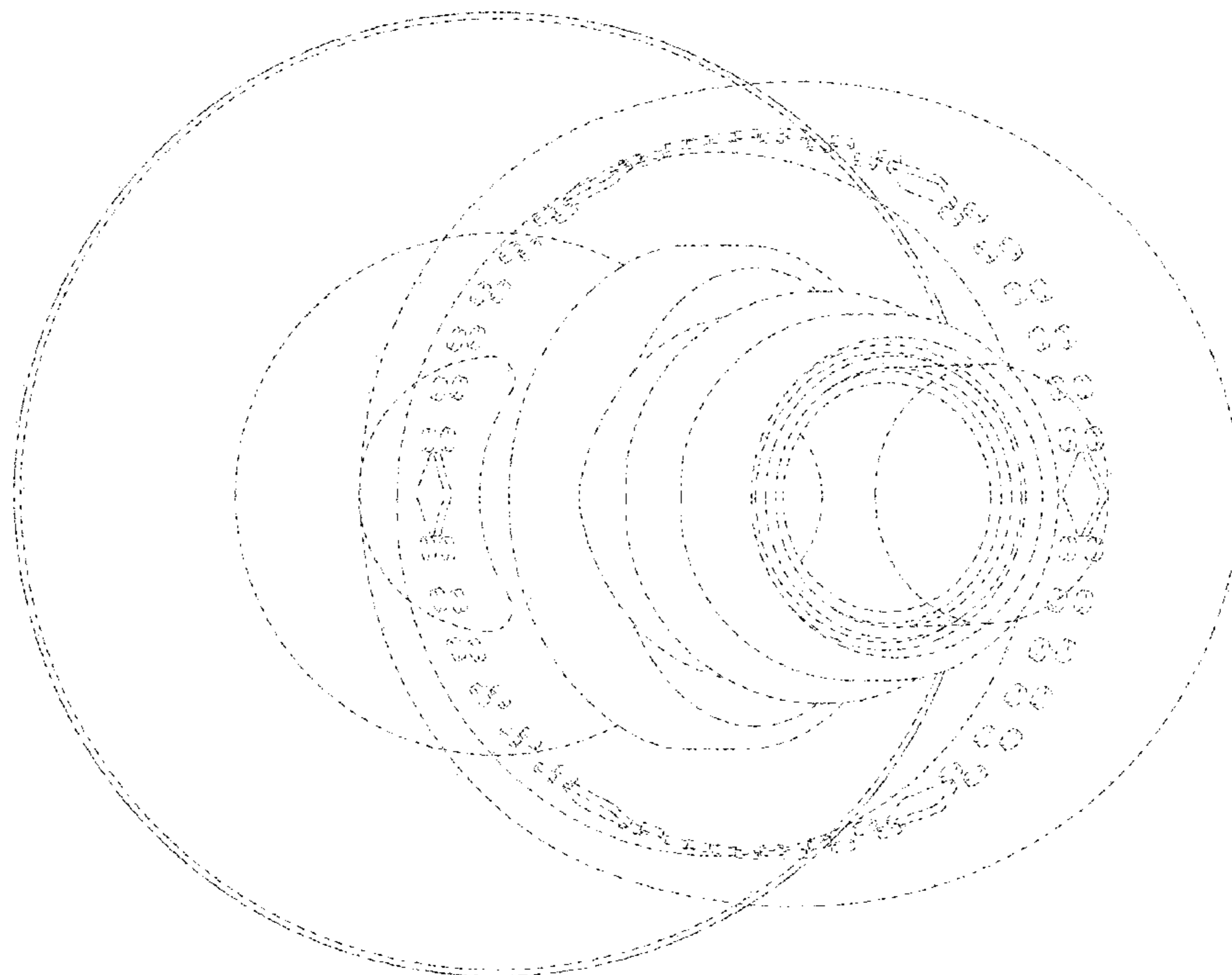


FIG.25

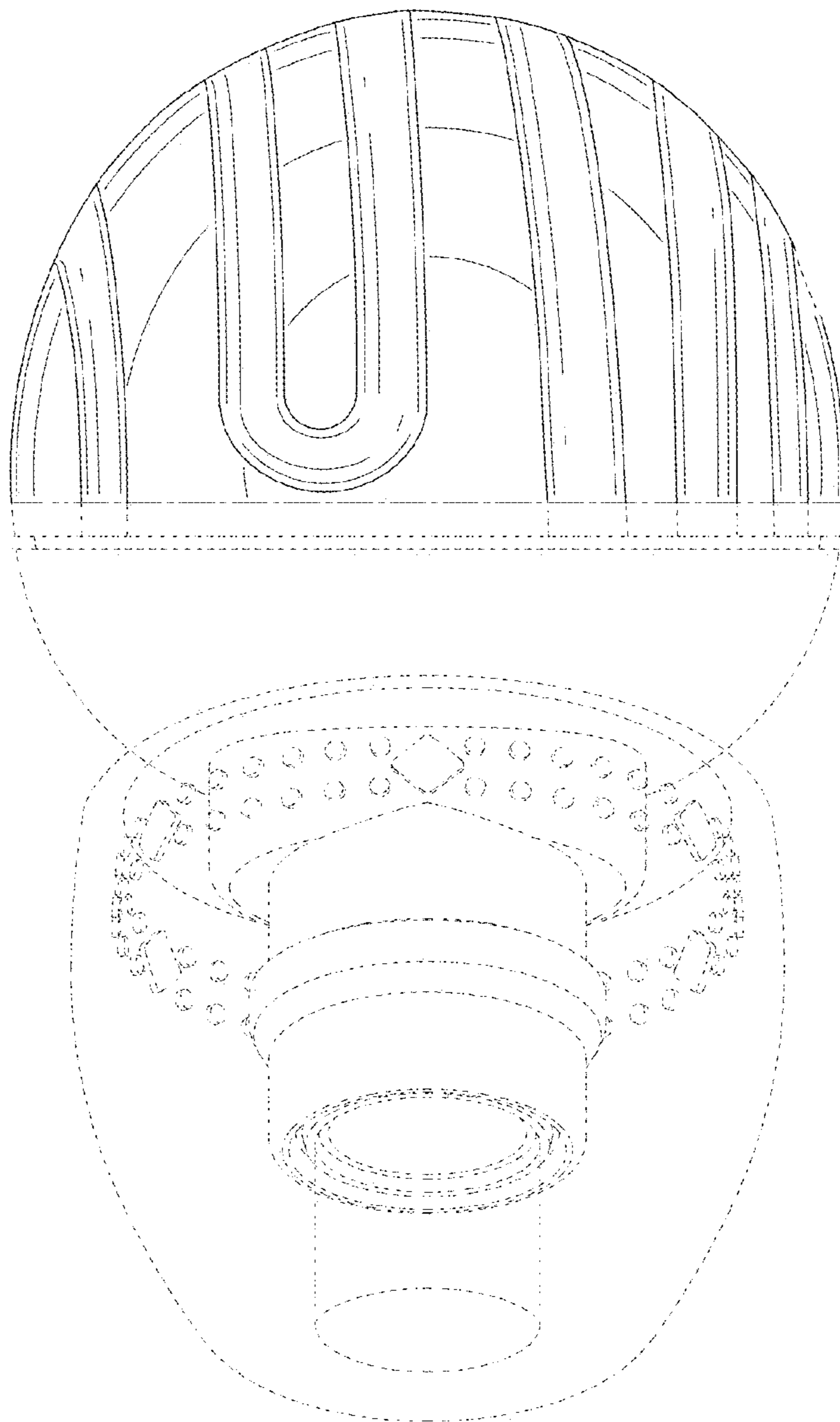


FIG.26

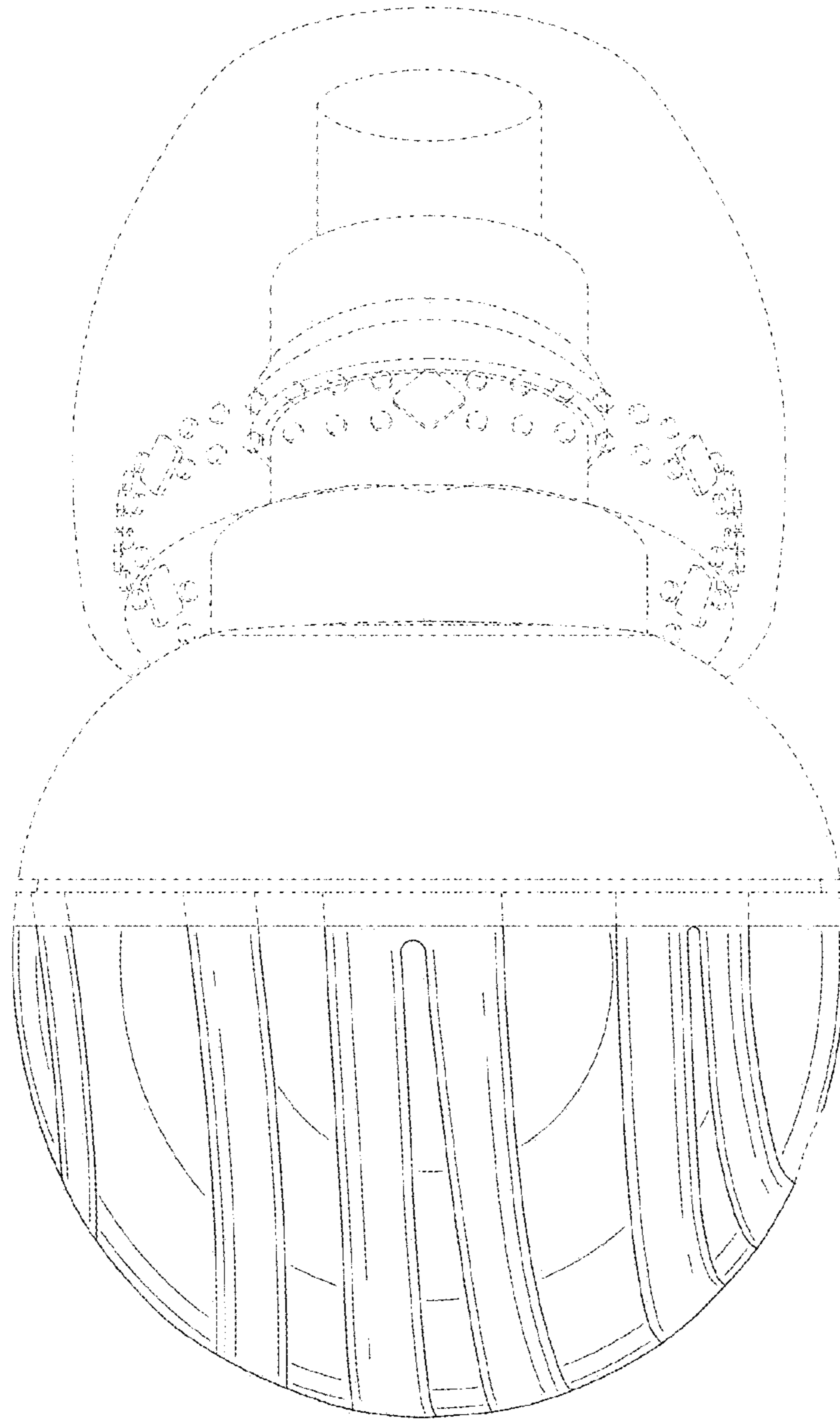


FIG.27

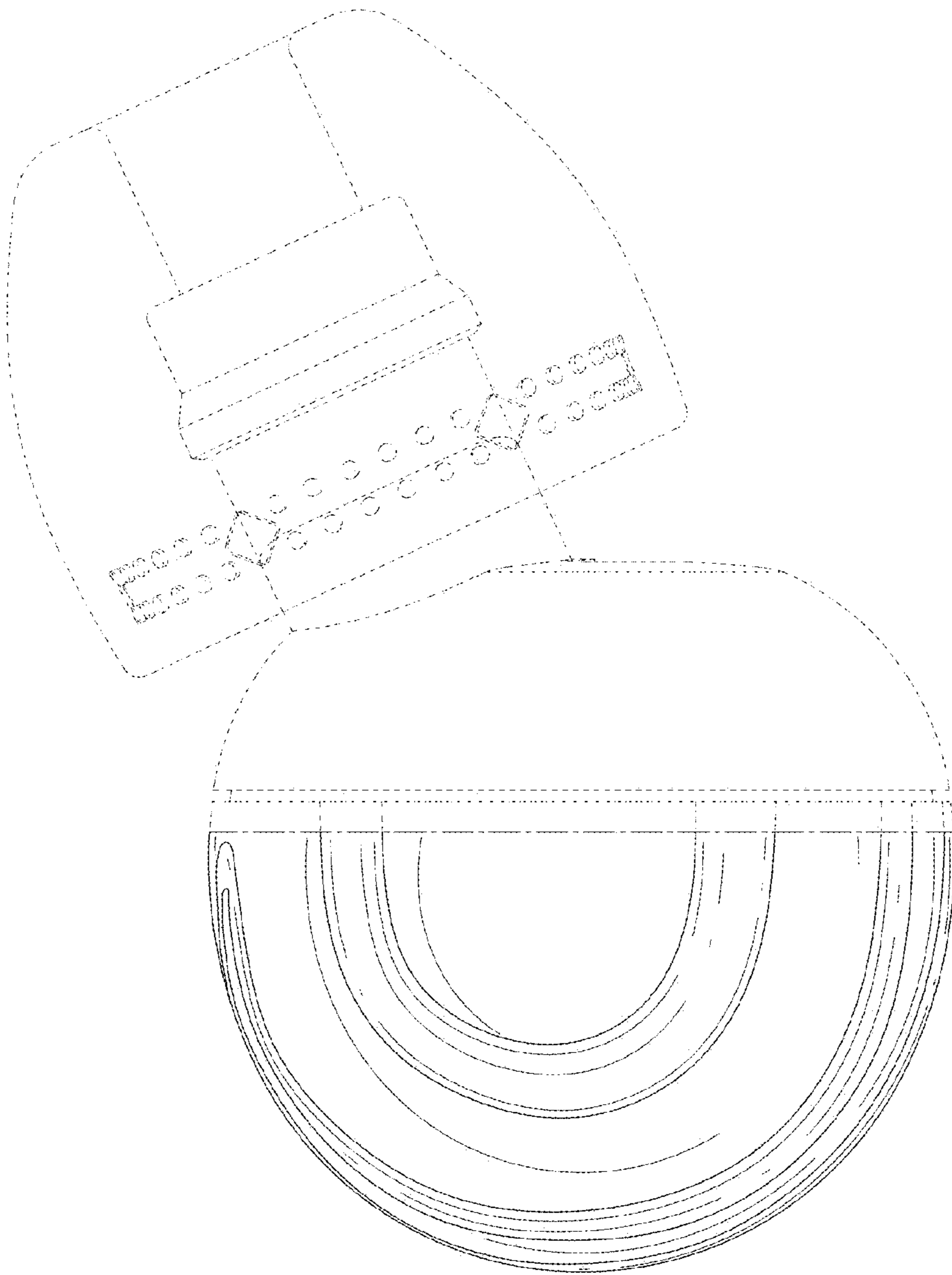


FIG.28

