



US00D705194S

(12) **United States Design Patent**
Woo et al.

(10) **Patent No.:** **US D705,194 S**
(45) **Date of Patent:** **** May 20, 2014**

(54) **SPEAKER**

(71) Applicant: **Samsung Electronics Co., Ltd.**,
Suwon-si (KR)
(72) Inventors: **Byung-Min Woo**, Bucheon-Si (KR);
Chae-Joo Son, Namyangjoo-Si (KR)

(73) Assignee: **Samsung Electronics Co., Ltd.**,
Suwon-si (KR)

(**) Term: **14 Years**

(21) Appl. No.: **29/447,024**

(22) Filed: **Feb. 28, 2013**

(30) **Foreign Application Priority Data**

Aug. 29, 2012 (KR) 30-2012-0041593

(51) **LOC (10) Cl.** **14-01**

(52) **U.S. Cl.**
USPC **D14/221**; D14/209.1

(58) **Field of Classification Search**
USPC D14/204, 218, 172, 210–216, 209.1,
D14/496, 497, 137, 168, 181, 185, 188, 299,
D14/203.1–203.8; 181/143, 147, 148, 150,
181/153, 157, 198, 199, 166, 144;
381/300–303, 306, 332, 333, 336, 345,
381/361–364, 370, 386–388; 455/344–351;
84/609–614, 634–638; 434/307 A,
434/307 R, 309, 318; 352/1, 6–10

See application file for complete search history.

(56) **References Cited**

U.S. PATENT DOCUMENTS

4,221,929	A *	9/1980	Fukuda	381/386
4,805,729	A *	2/1989	Wascom	181/144
5,875,255	A *	2/1999	Campbell	381/345
5,933,509	A *	8/1999	Wu	381/345
D417,217	S *	11/1999	Heath	D14/215
6,561,311	B2 *	5/2003	Chuang	181/199
D525,236	S *	7/2006	Hibi	D14/221
D565,029	S *	3/2008	Ching	D14/214
D671,527	S *	11/2012	Lee et al.	D14/215
D672,751	S *	12/2012	Davies et al.	D14/215
D680,097	S *	4/2013	Davies et al.	D14/215

* cited by examiner

Primary Examiner — Prabhakar Deshmukh

(74) *Attorney, Agent, or Firm* — NSIP Law

(57) **CLAIM**

The ornamental design for a speaker, as shown and described.

DESCRIPTION

FIG. 1 is a front perspective view of a speaker;
FIG. 2 is a front view of the speaker of FIG. 1;
FIG. 3 is a left-side view of the speaker of FIG. 1;
FIG. 4 is a right-side view of the speaker of FIG. 1; and,
FIG. 5 is an enlarged front perspective view of the speaker of
FIG. 1.

The dash-dot-dot-dash broken line immediately adjacent the solid-line portions of the design represents an unclaimed boundary of the design. Features shown in other broken lines in FIGS. 1, 2, 3, and 4, form no part of the claimed design.

1 Claim, 4 Drawing Sheets

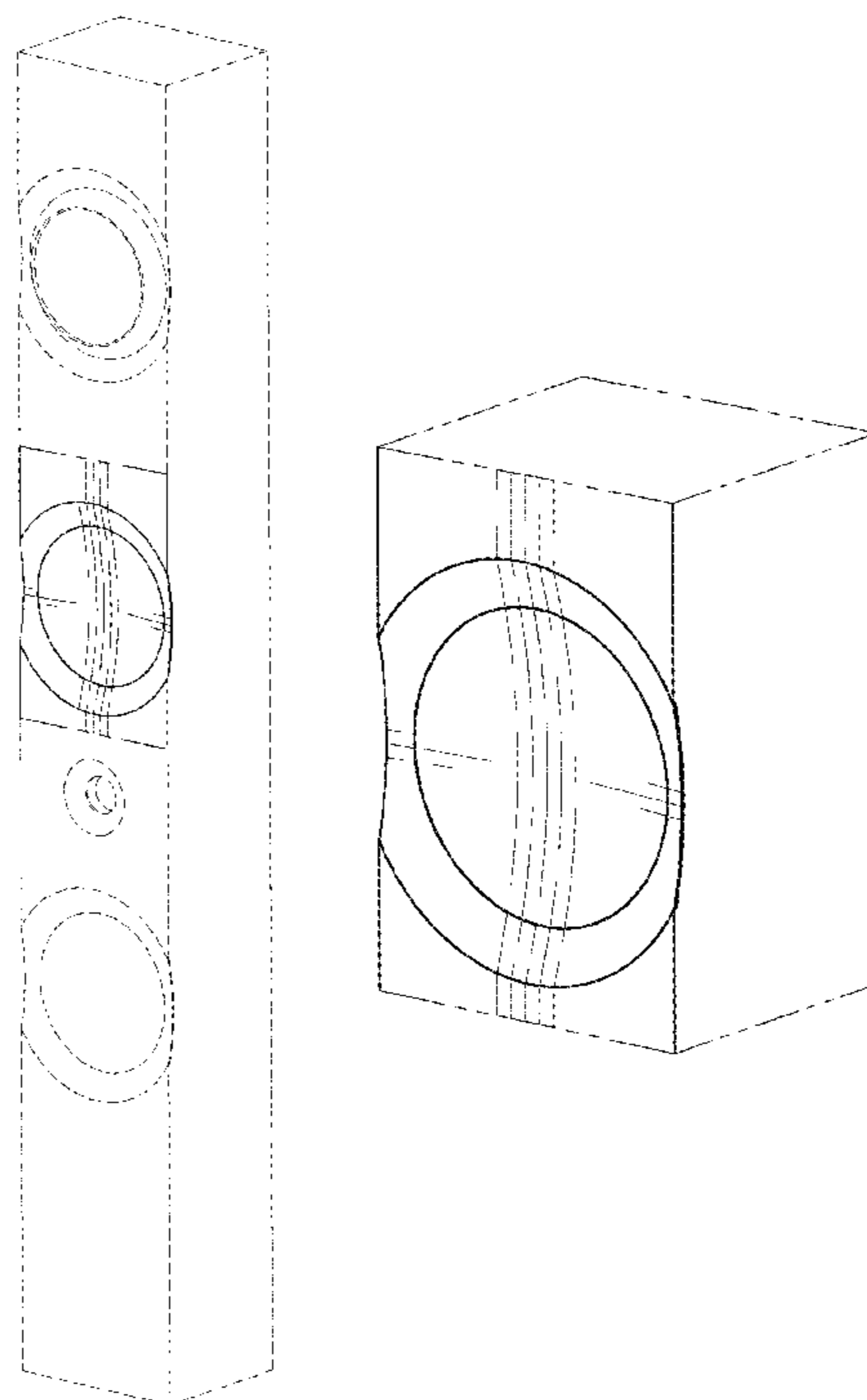


FIG. 1

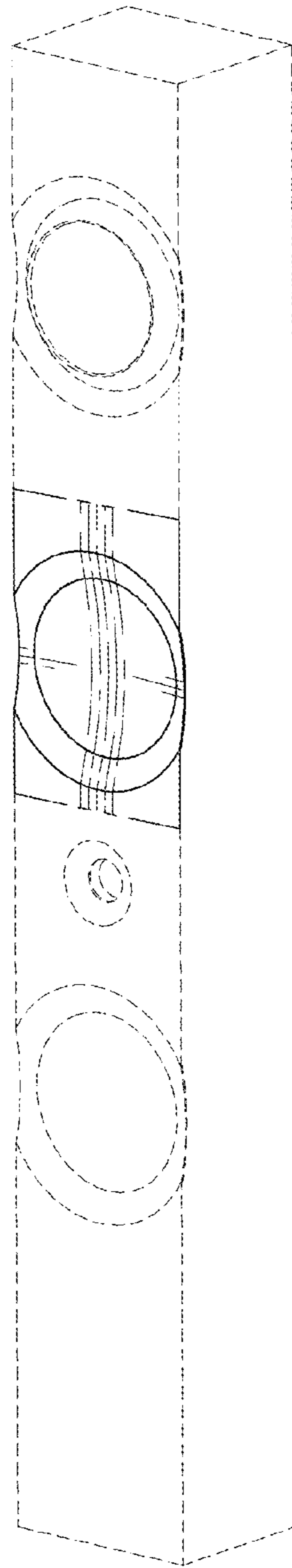


FIG. 2

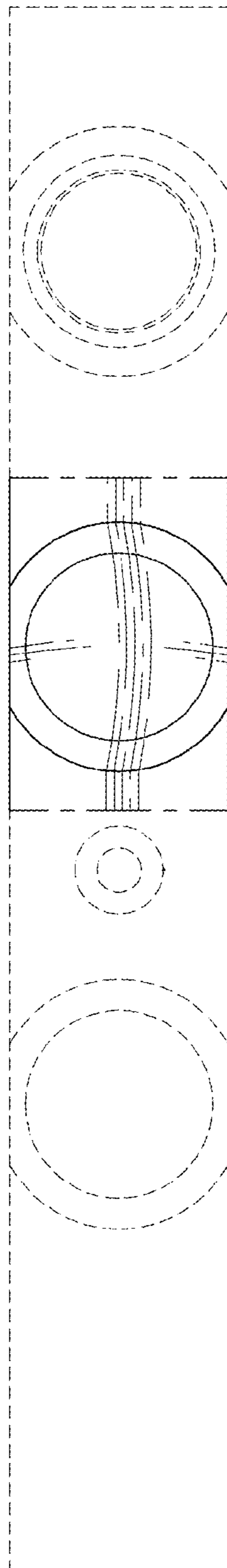


FIG. 3

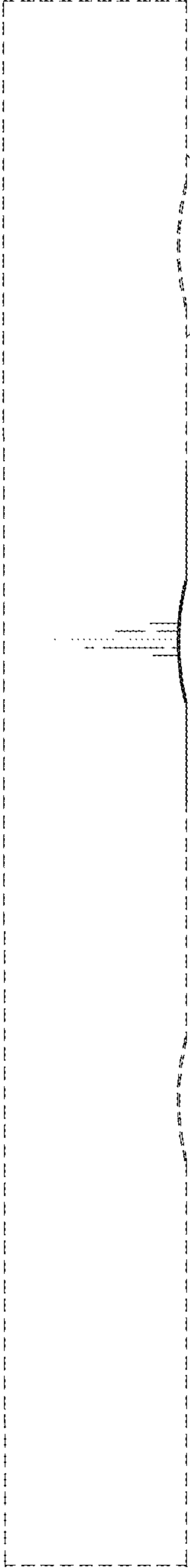


FIG. 4

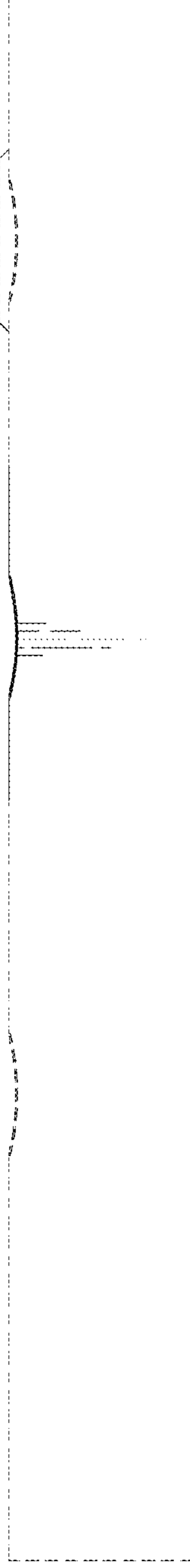


FIG. 5

