



US00D705193S

(12) **United States Design Patent**
Yoon et al.

(10) **Patent No.:** **US D705,193 S**

(45) **Date of Patent:** **** May 20, 2014**

(54) **SOUND WAVE GUIDE SYSTEM FOR LOUDSPEAKER**

(71) Applicants: **Jackie Yoon**, La Crescenta, CA (US);
Jong Moo Yoon, La Crescenta, CA (US)

(72) Inventors: **Jackie Yoon**, La Crescenta, CA (US);
Jong Moo Yoon, La Crescenta, CA (US)

(73) Assignee: **Yoon Tone**, Los Angeles, CA (US)

(**) Term: **14 Years**

(21) Appl. No.: **29/434,643**

(22) Filed: **Oct. 15, 2012**

(51) **LOC (10) Cl.** **14-02**

(52) **U.S. Cl.**
USPC **D14/221; D14/185**

(58) **Field of Classification Search**
USPC D14/204, 210–216, 172, 221, 222, 158,
D14/261, 208; 181/143, 144, 147, 148,
181/150–153, 157, 159, 198, 199, 175, 206,
181/284; 381/300–303, 306, 332, 333, 336,
381/340, 343, 345, 361–354, 386–388, 61,
381/73.1, 94.1, 96

See application file for complete search history.

(56) **References Cited**

U.S. PATENT DOCUMENTS

1,904,534 A * 4/1933 Rice 116/19
D135,104 S * 2/1943 Cottrell, Jr. et al. D14/185

D135,150 S * 3/1943 Cottrell, Jr. et al. D14/185
D139,237 S * 10/1944 Eaves D14/185
5,952,621 A * 9/1999 Curtis et al. 181/213
6,516,076 B1 * 2/2003 Marlin 381/340
6,801,629 B2 * 10/2004 Brimhall et al. 381/72
D607,436 S * 1/2010 Khoo et al. D14/215
D615,532 S * 5/2010 Dodd et al. D14/221
D674,375 S * 1/2013 Robineau D14/221
8,428,290 B2 * 4/2013 Cheng 381/386

* cited by examiner

Primary Examiner — Prabhakar Deshmukh

(57) **CLAIM**

The ornamental design for a sound wave guide system for loudspeakers, as shown and described.

DESCRIPTION

FIG. 1 is a perspective view of a sound wave guide system for loudspeakers showing my new design;

FIG. 2 is a front elevational view thereof;

FIG. 3 is a sectional view thereof, taken along line 3-3 of FIG. 2;

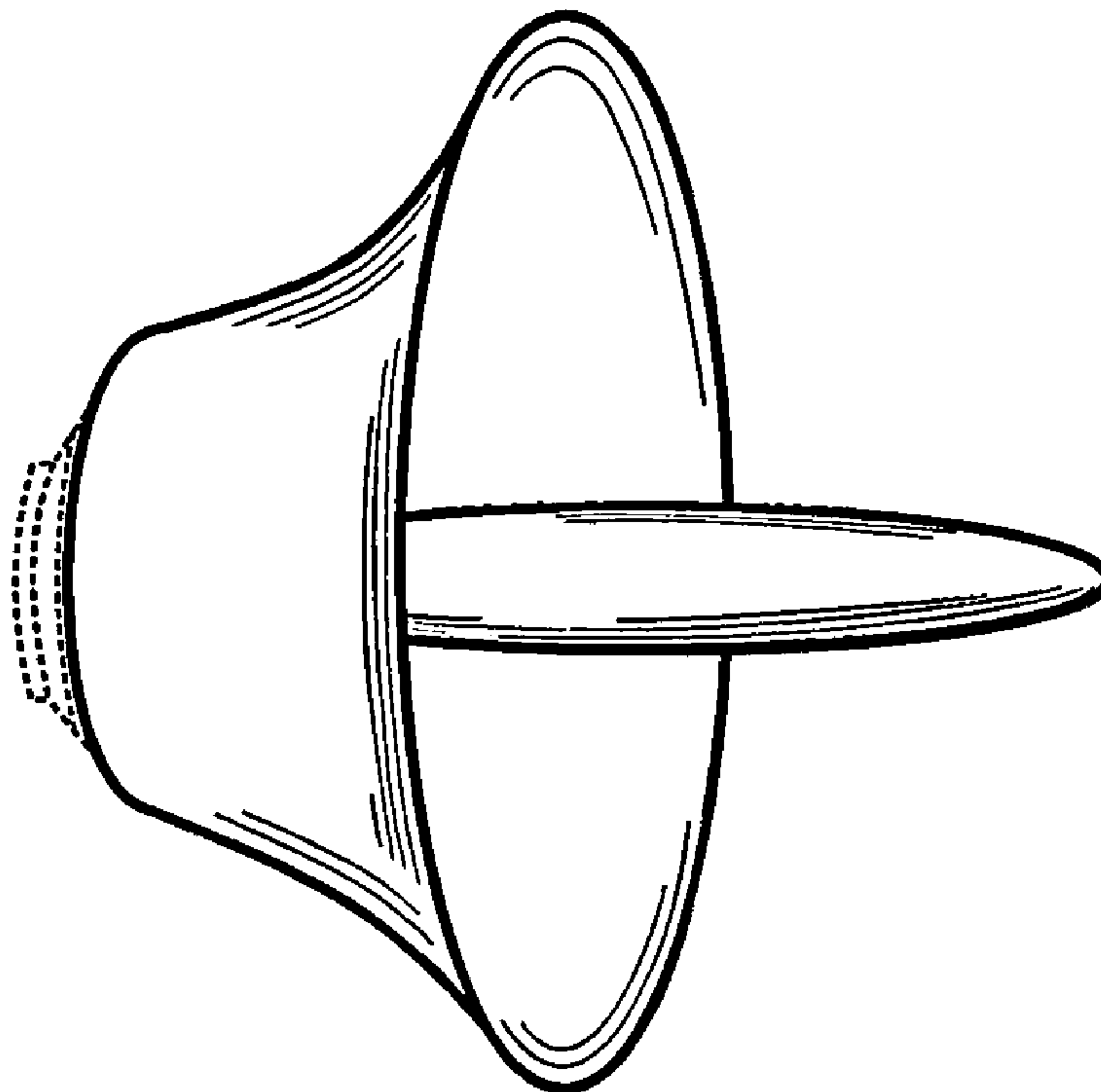
FIG. 4 is a perspective view of a second embodiment of a sound wave guide system;

FIG. 5 is a front elevational view of FIG. 4; and,

FIG. 6 is a sectional view thereof, taken along line 6-6 of FIG. 5.

The broken lines indicate disclaimed portions and form no part of the claimed design. The inside horn is shown in full for clarity of illustration.

1 Claim, 2 Drawing Sheets



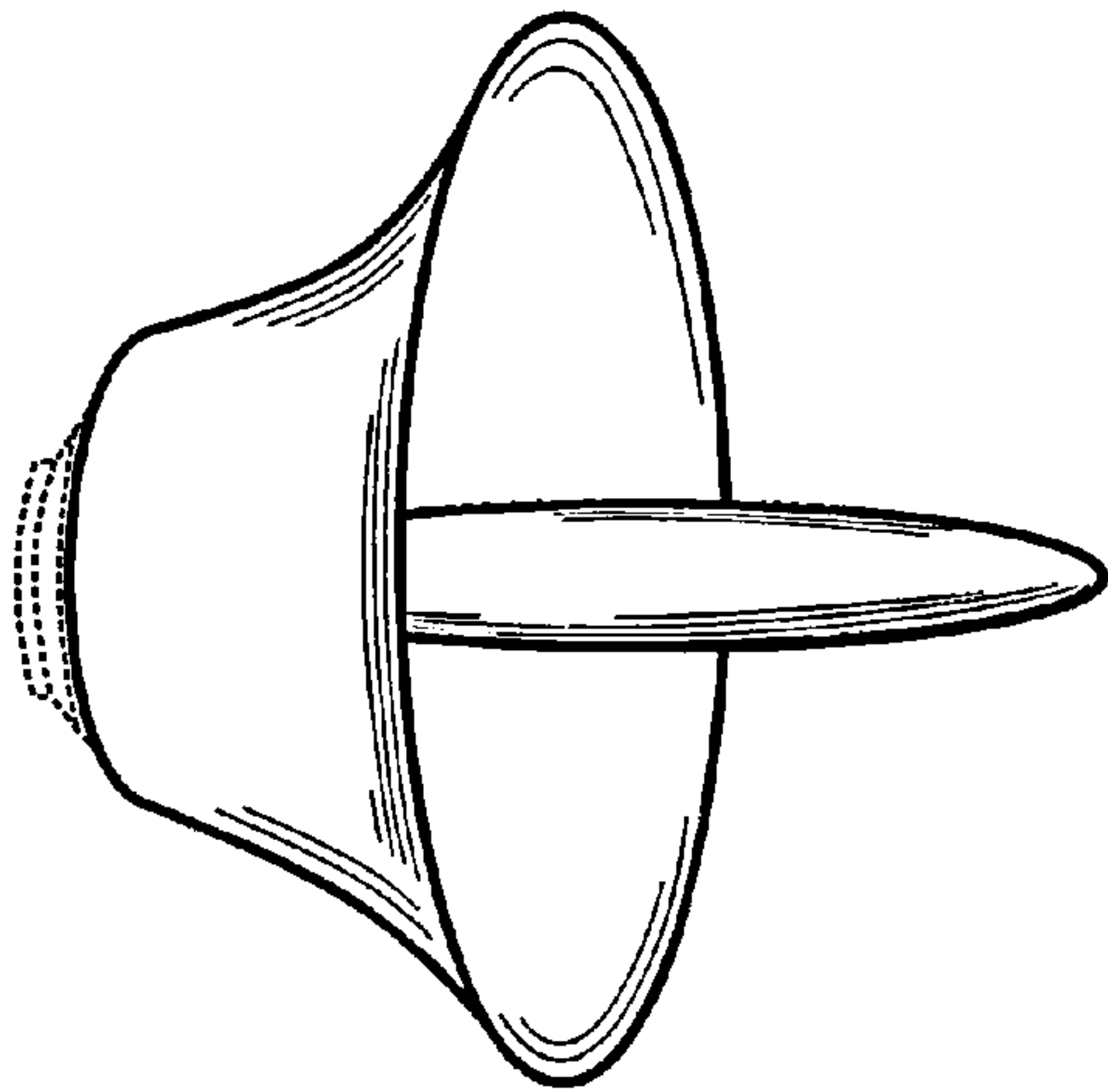


Fig. 1

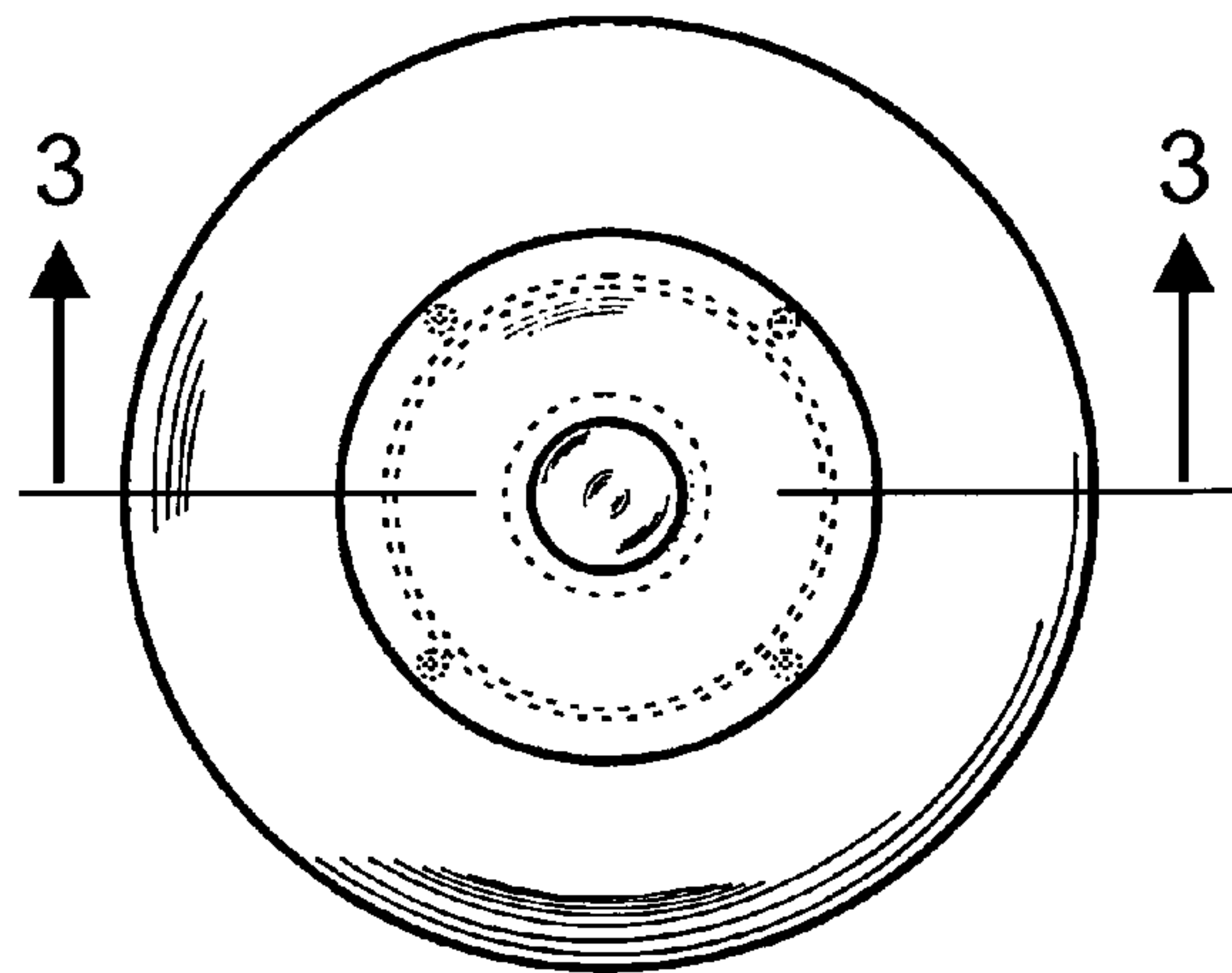


Fig. 2

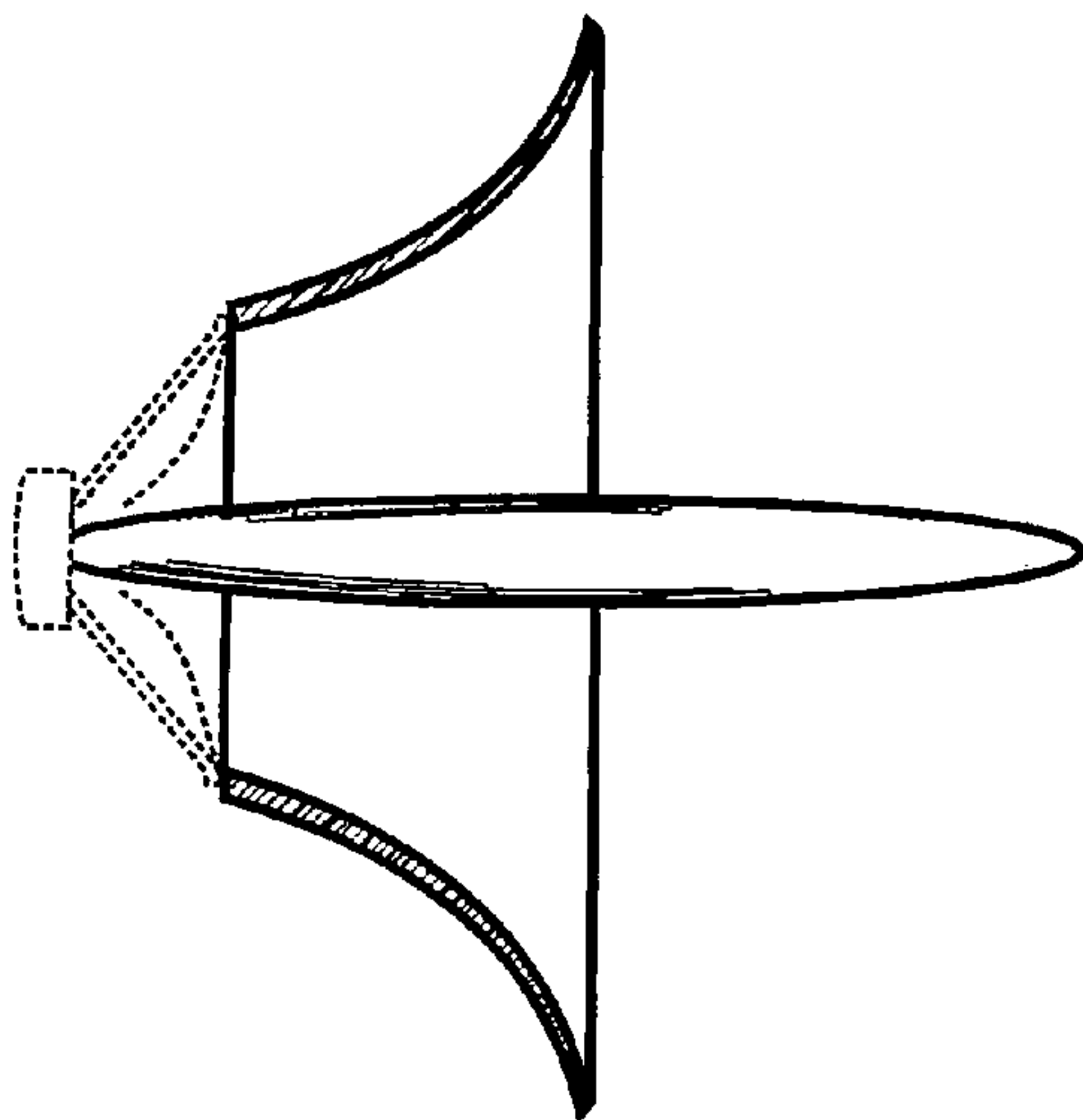


Fig. 3

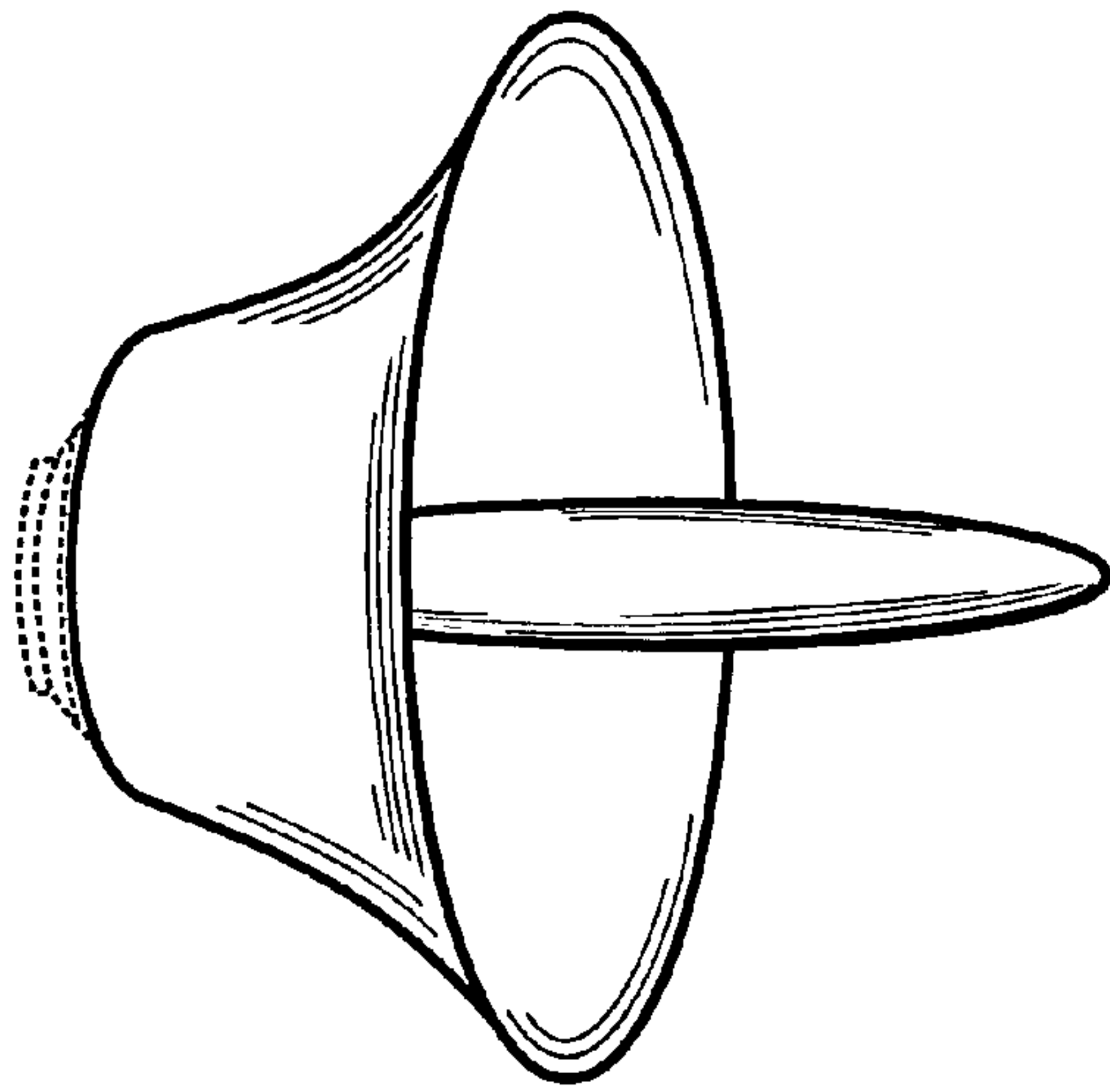


Fig. 4

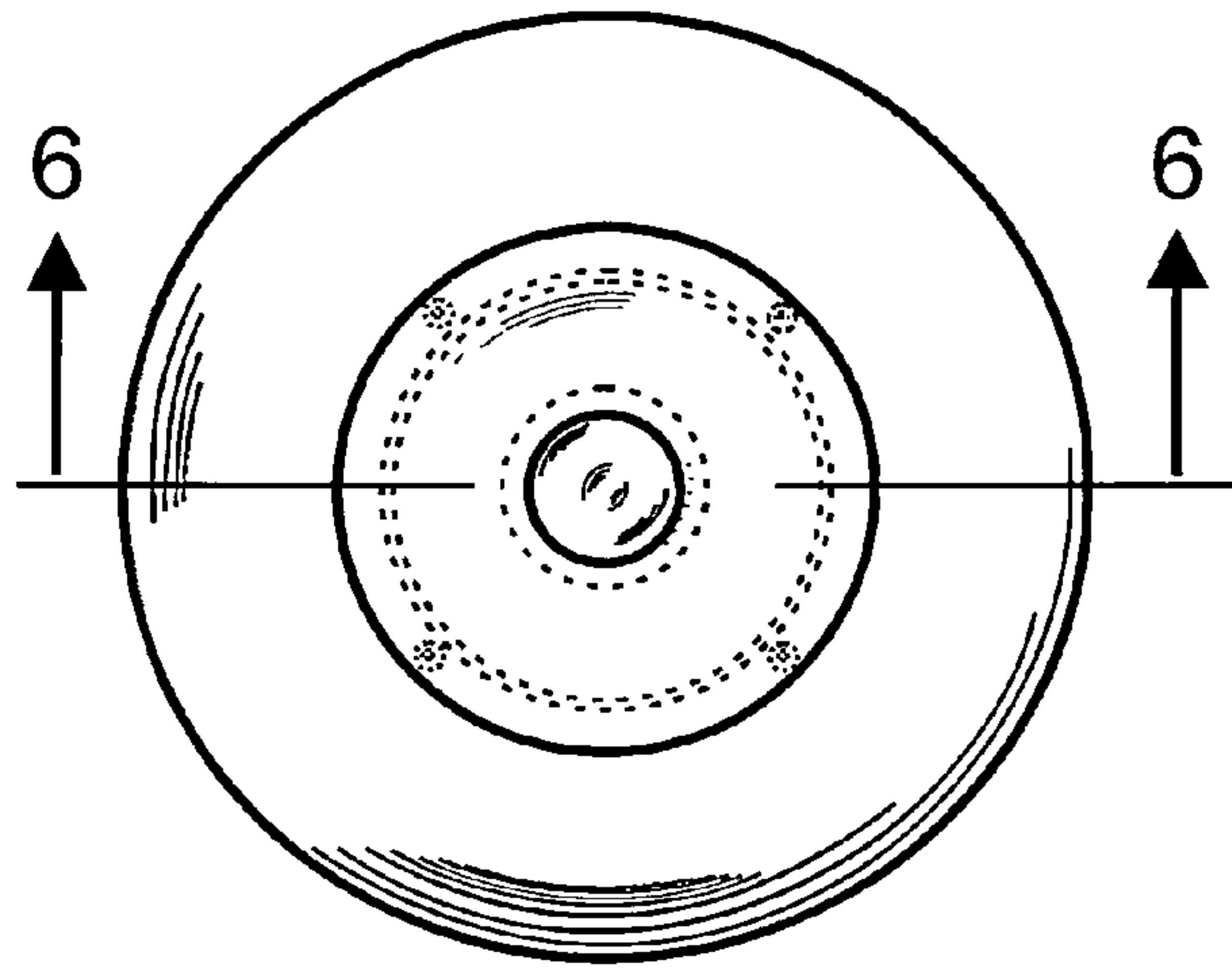


Fig. 5

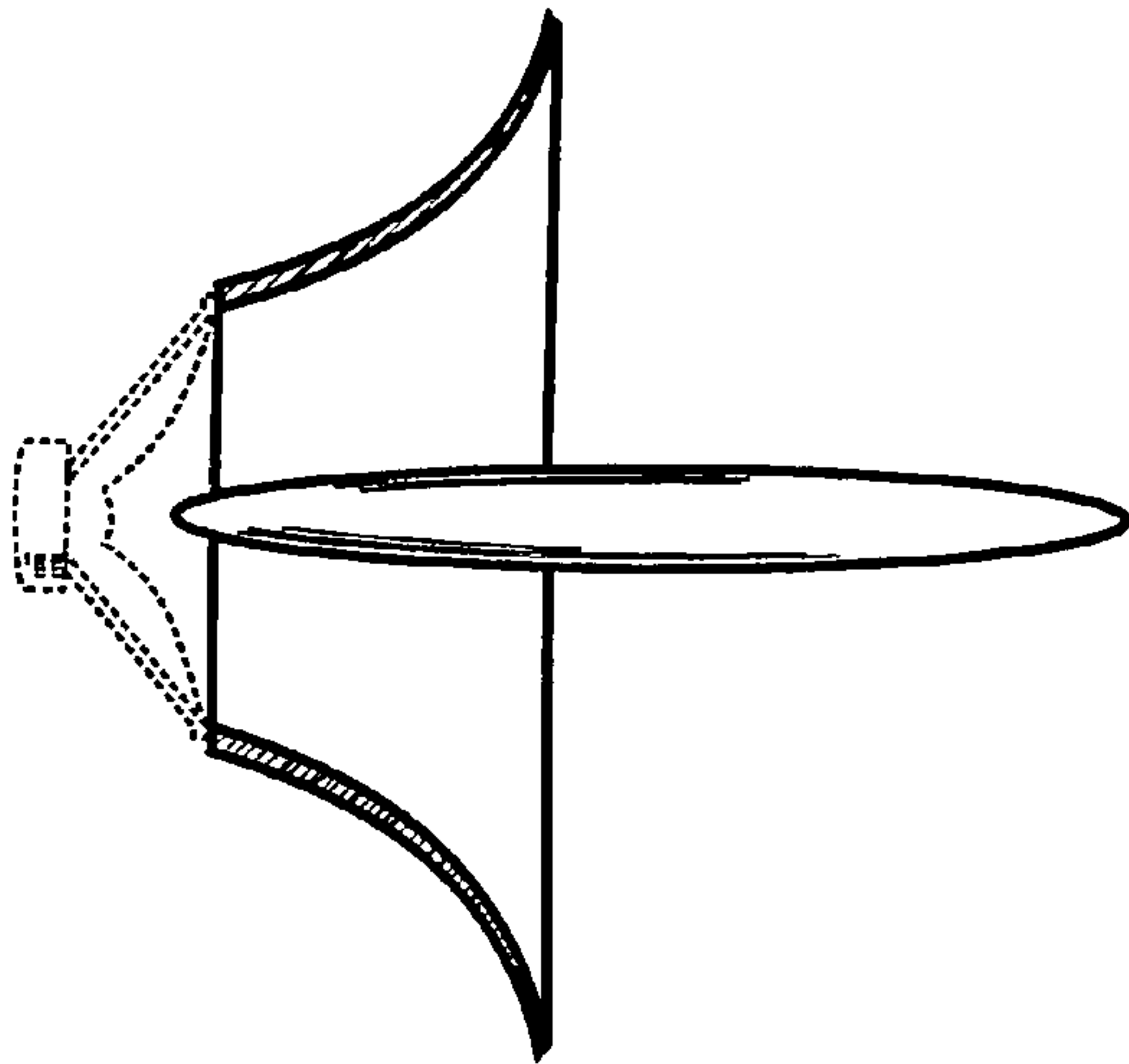


Fig. 6