



US00D705191S

(12) **United States Design Patent**
Boudreau et al.

(10) **Patent No.:** **US D705,191 S**

(45) **Date of Patent:** **** May 20, 2014**

(54) **SPEAKER**

(75) Inventors: **John Phillip Boudreau**, Seattle, WA (US); **Timothy Eugene Cochran**, Woodinville, WA (US); **Christopher Lee Deckard**, Shoreline, WA (US); **Frank Larry Frederick**, Monroe, WA (US); **Nathan Pius O'Neill**, Snohomish, WA (US); **Robert Michael Riggs**, Lynnwood, WA (US); **Kimberly Ann VanHorn**, Seattle, WA (US)

(73) Assignee: **LOUD Technologies Inc.**, Woodinville, WA (US)

(**) Term: **14 Years**

(21) Appl. No.: **29/429,811**

(22) Filed: **Aug. 16, 2012**

(51) **LOC (10) Cl.** **14-03**

(52) **U.S. Cl.**
USPC **D14/214**

(58) **Field of Classification Search**
USPC D14/172, 194, 196, 204, 207, 209.1, D14/210-217, 219-222, 224; 181/143, 144, 181/147, 148, 150, 153, 157, 198, 199; 381/300-303, 306, 332, 333, 336, 345, 381/361-364, 386-388

See application file for complete search history.

(56) **References Cited**

U.S. PATENT DOCUMENTS

D637,580	S	*	5/2011	Aranda et al.	D14/214
D654,474	S	*	2/2012	Hawkins et al.	D14/214
D663,719	S	*	7/2012	Warden et al.	D14/214
D676,827	S	*	2/2013	Desrosiers	D14/204
D682,250	S	*	5/2013	Mattioli	D14/172

* cited by examiner

Primary Examiner — Keli L Hill

(74) *Attorney, Agent, or Firm* — Christensen O'Connor Johnson Kindness PLLC

(57) **CLAIM**

The ornamental design for a speaker, as shown and described.

DESCRIPTION

FIG. 1 is a front perspective view of the design of the present application;

FIG. 2 is a bottom perspective view of the design of FIG. 1;

FIG. 3 is a front elevation view of the design of FIG. 1;

FIG. 4 is a rear elevation view of the design of FIG. 1;

FIG. 5 is a top view of the design of FIG. 1;

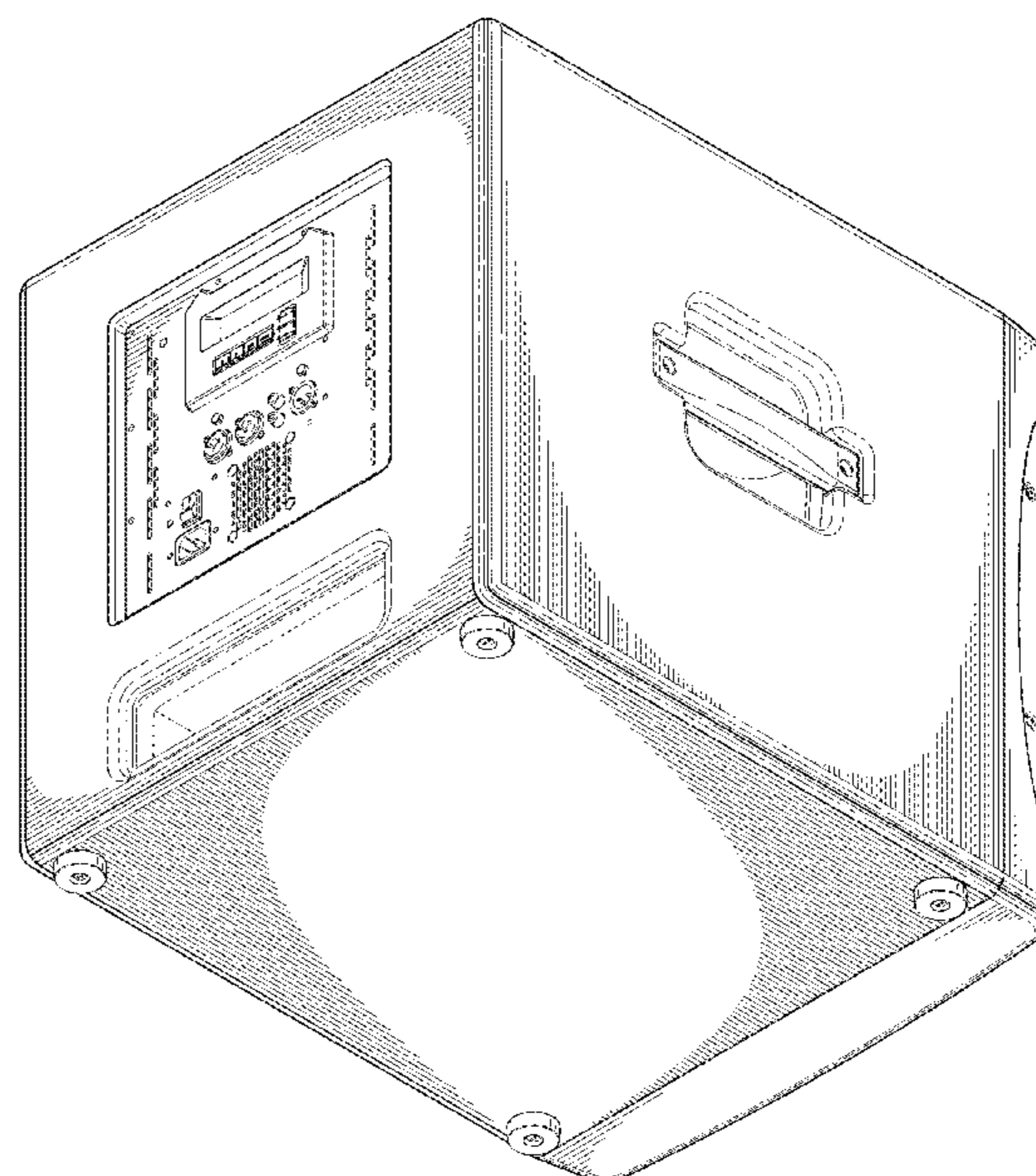
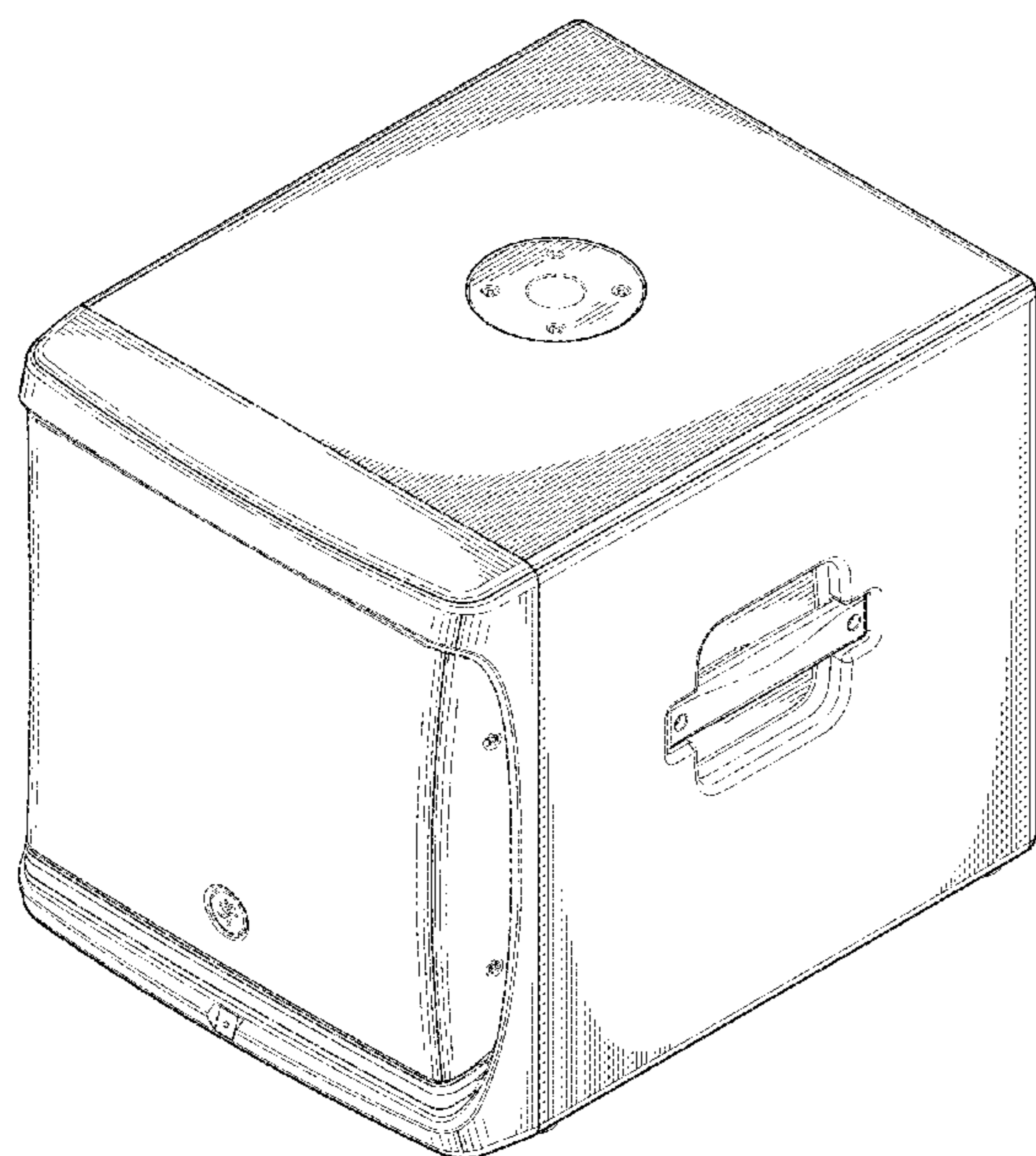
FIG. 6 is a bottom view of the design of FIG. 1;

FIG. 7 is a side elevational view of the design of FIG. 1; and,

FIG. 8 is a side elevational view of the design of FIG. 1, taken from the opposite side of the design relative to FIG. 7.

The broken lines shown are included for the purpose of illustrating portions of the speaker that form no part of the claim.

1 Claim, 8 Drawing Sheets



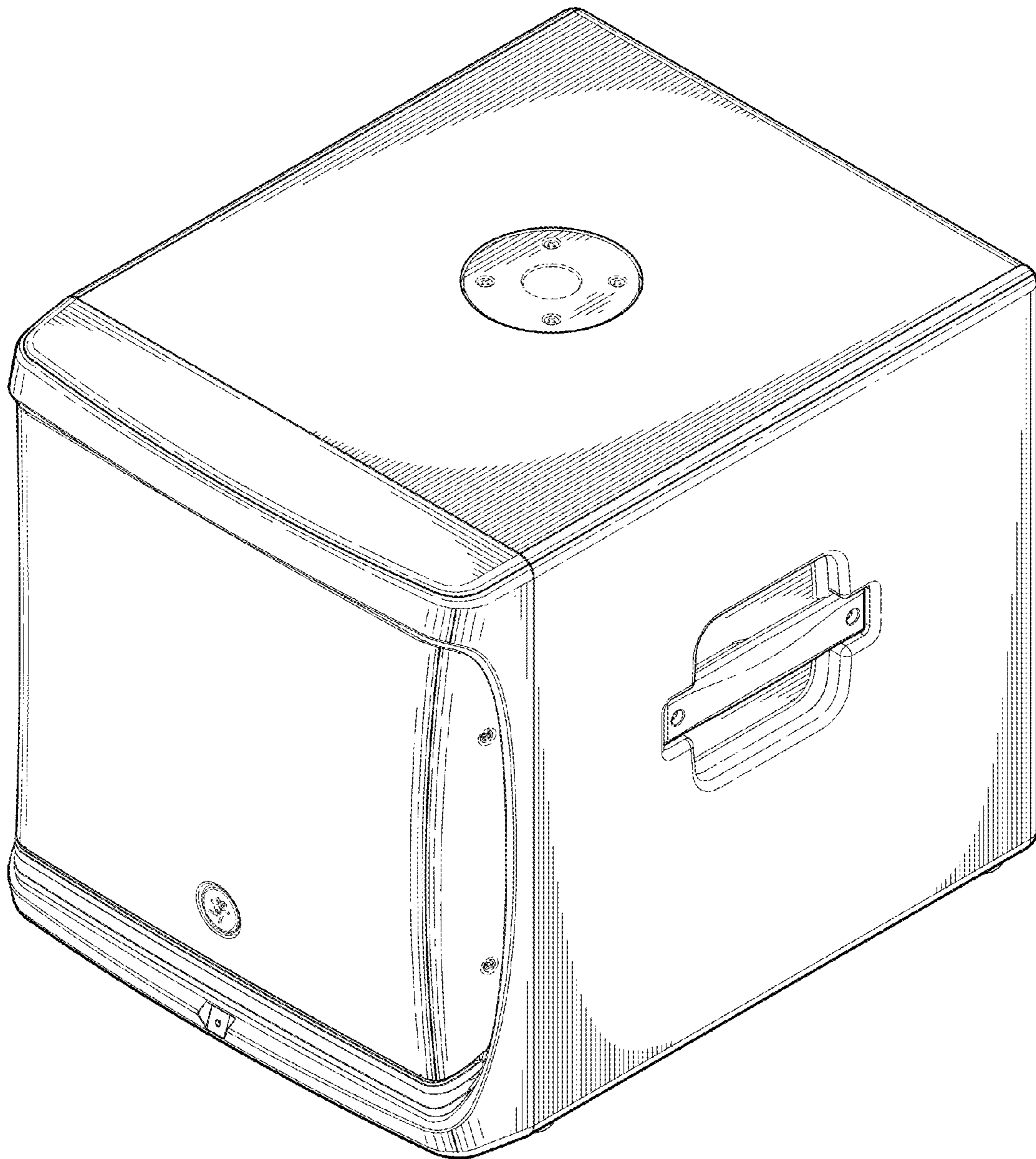


Fig. 1.

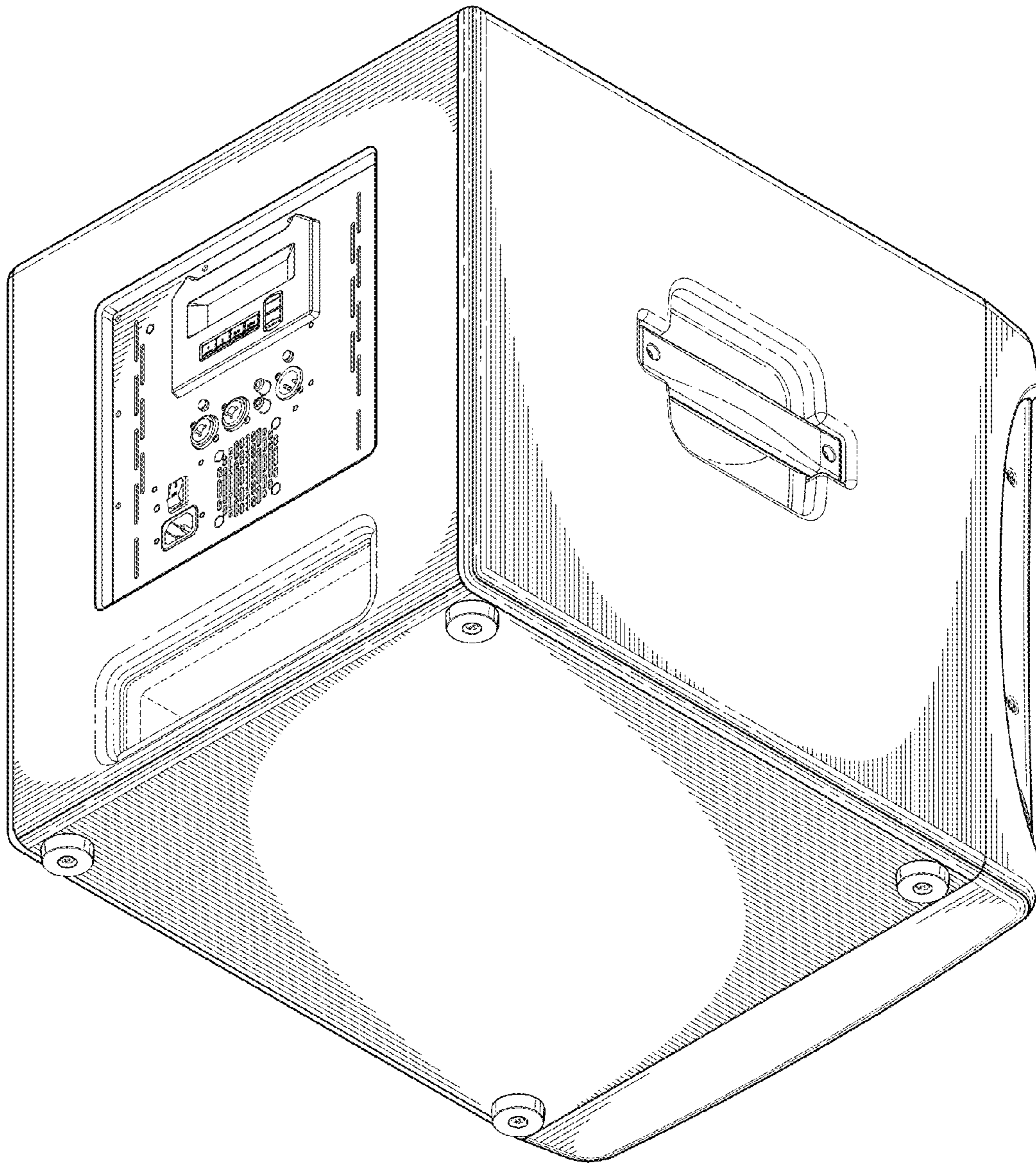


Fig. 2.

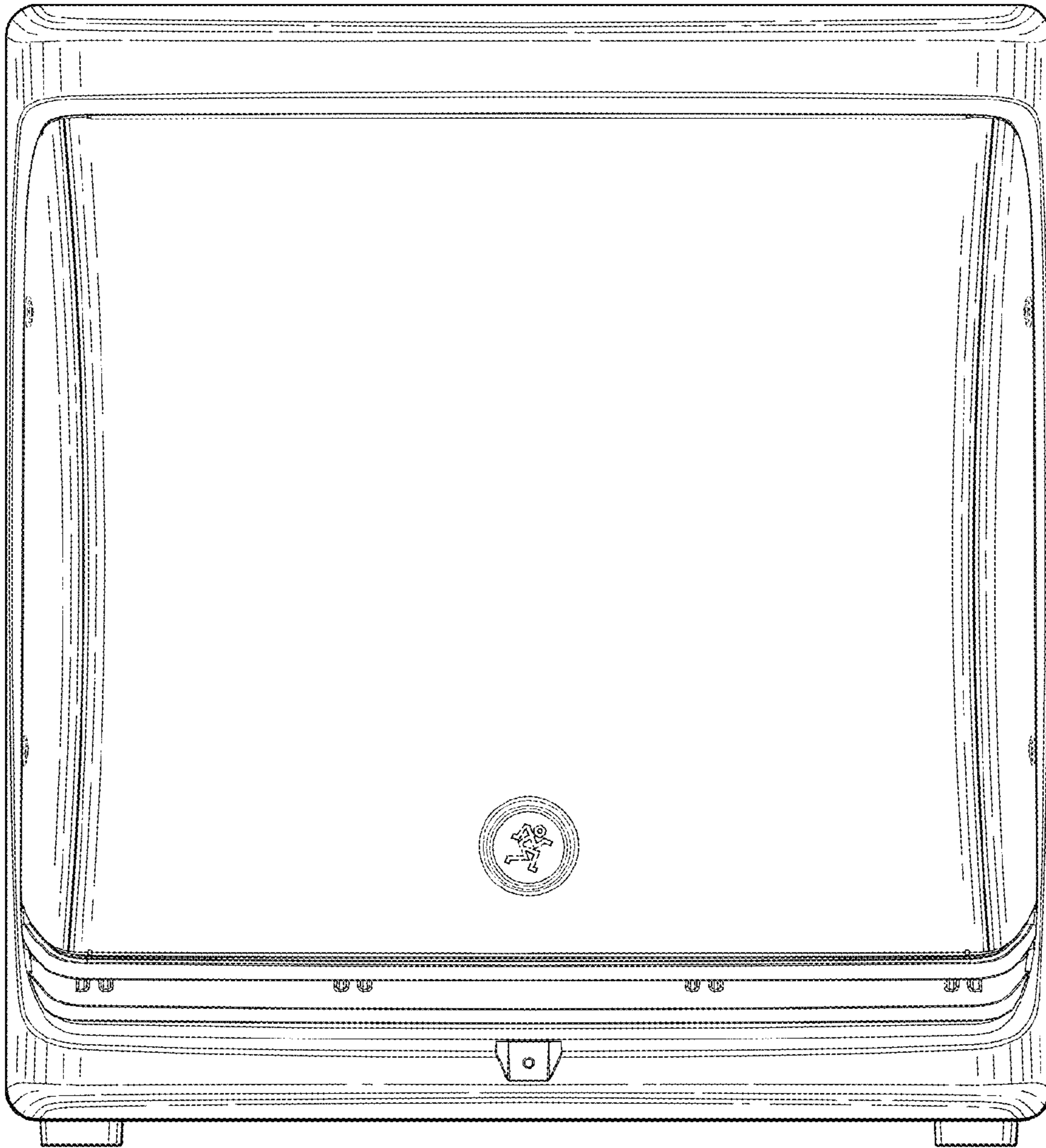


Fig. 3.

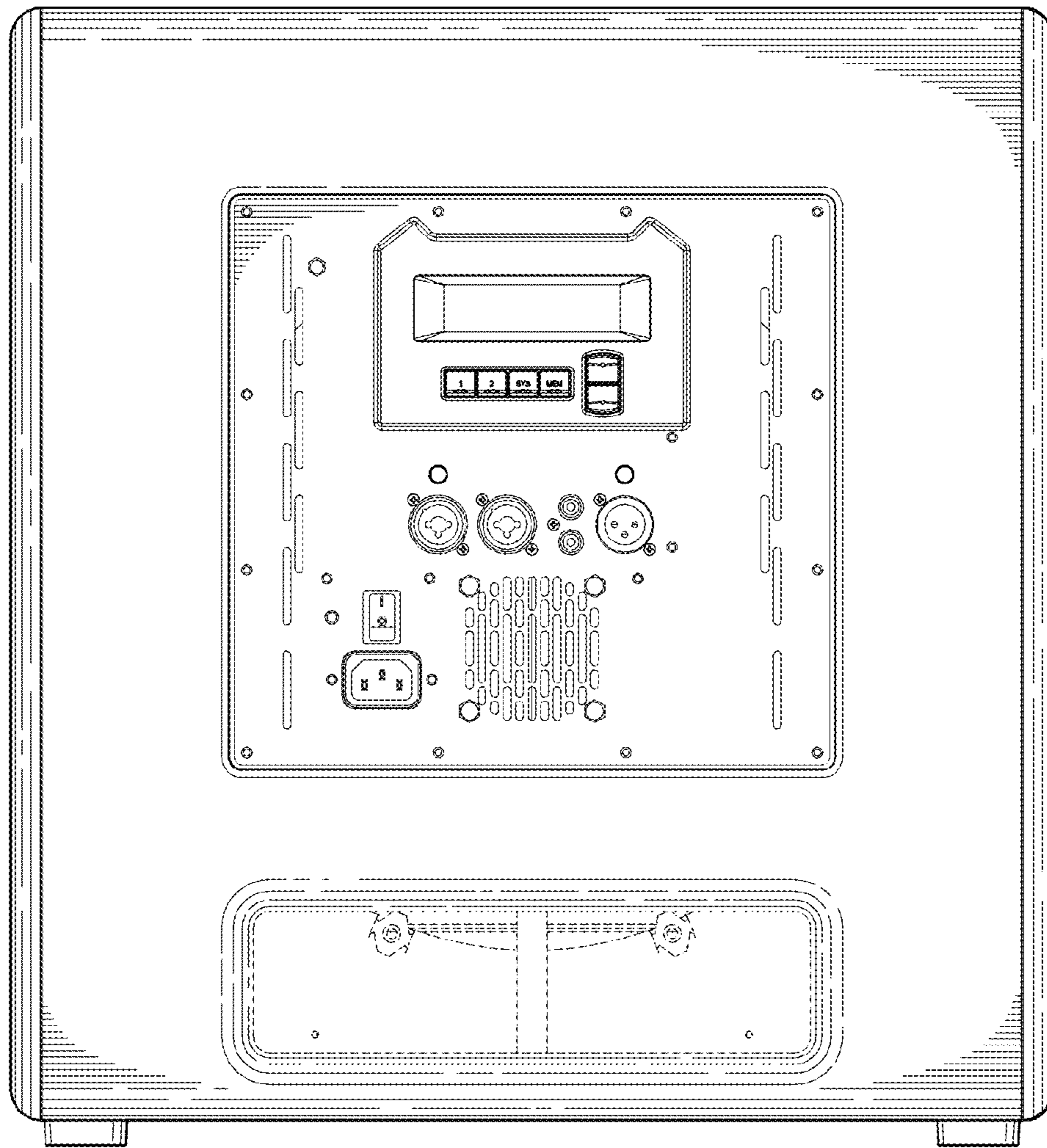


Fig. 4.

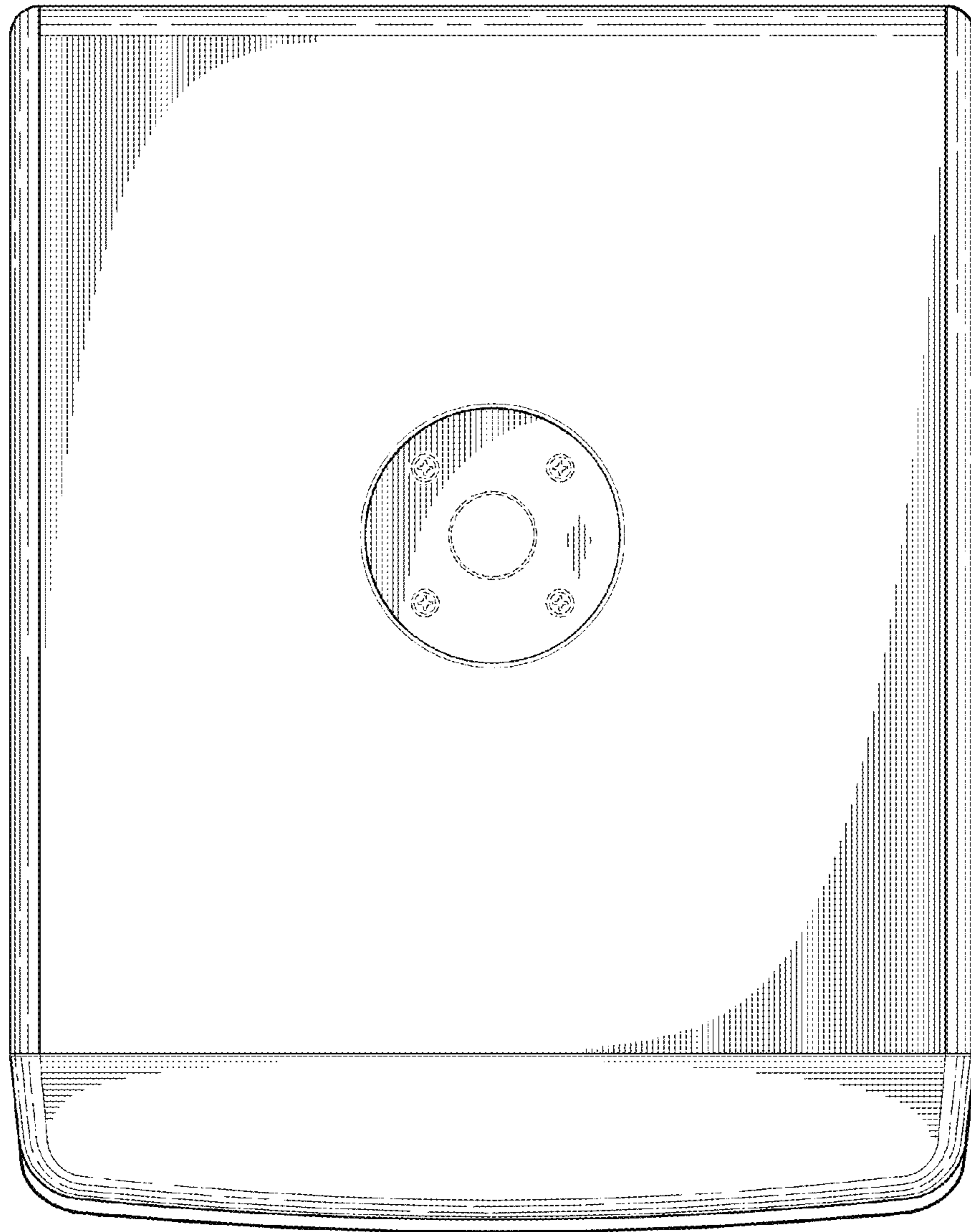


Fig. 5.

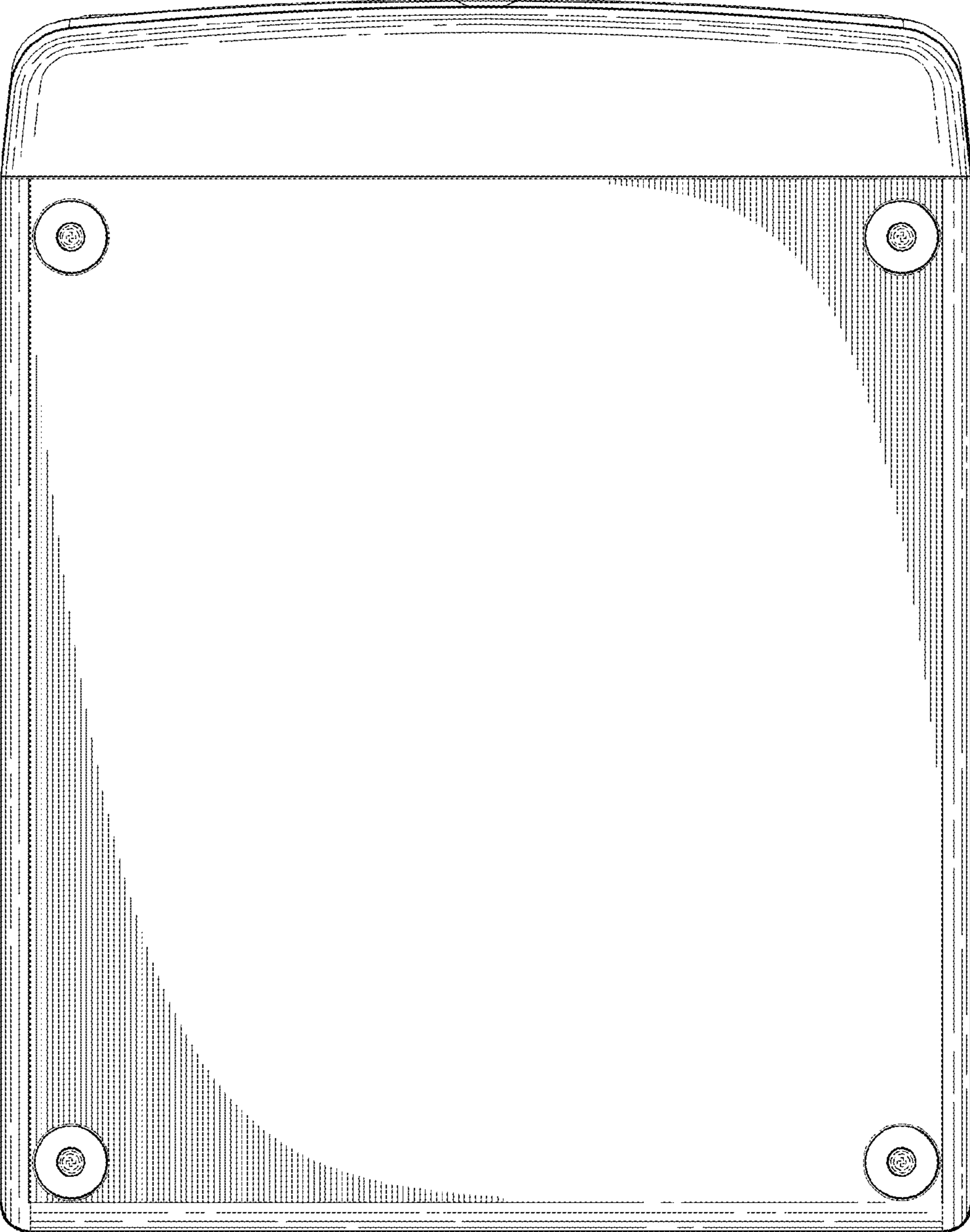


Fig. 6.

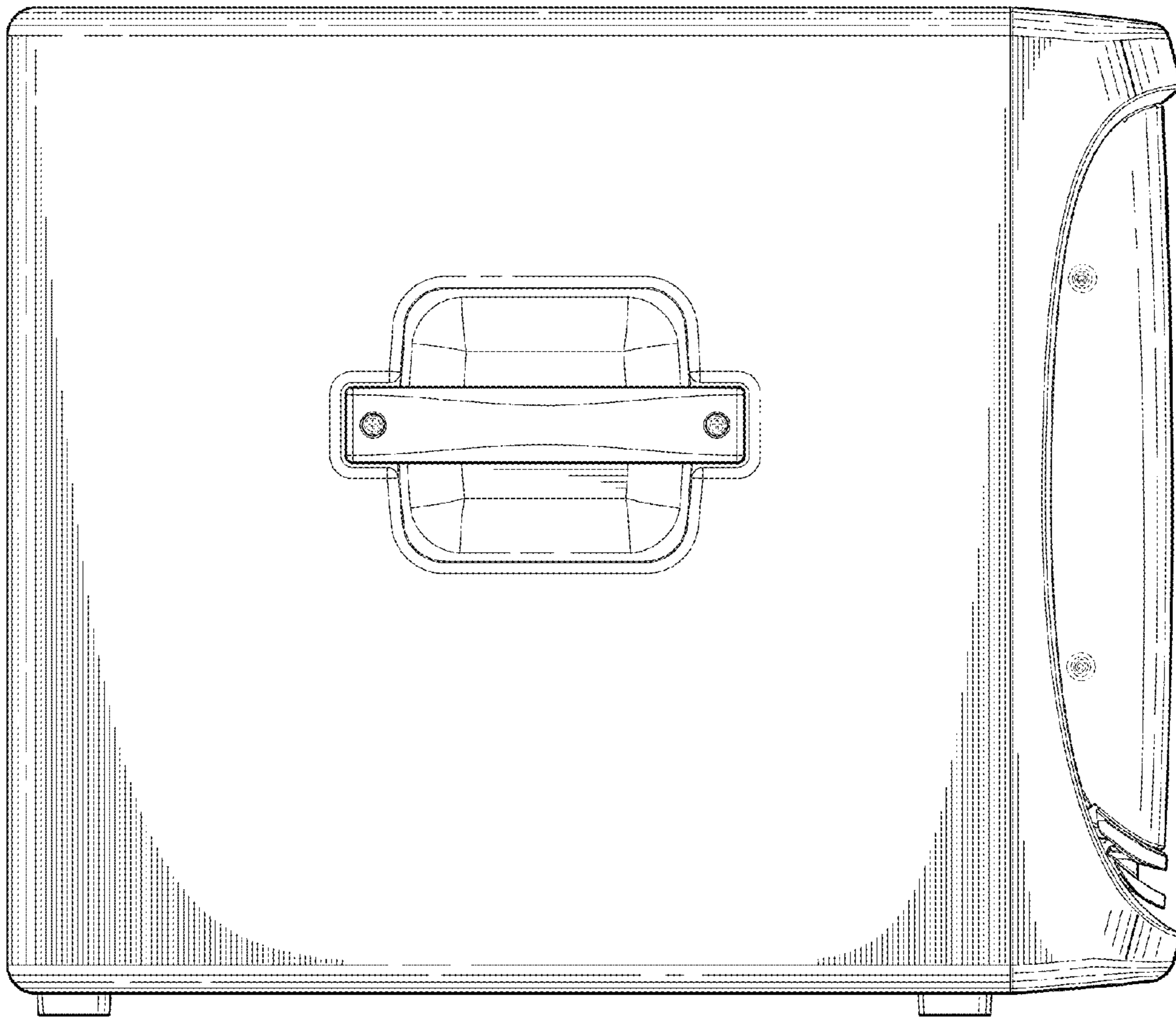


Fig. 7.

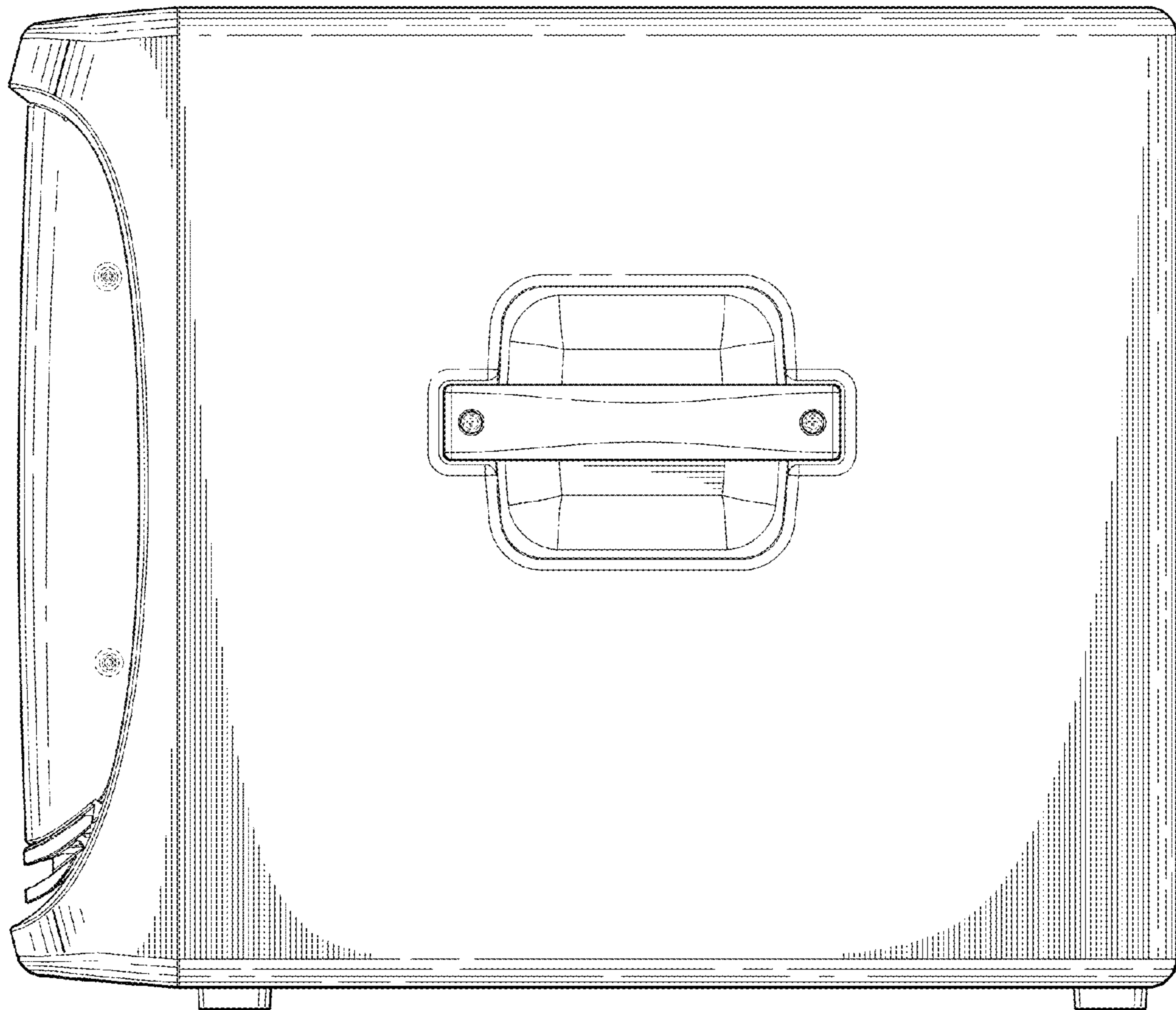


Fig. 8.