



US00D705190S

(12) **United States Design Patent**
Shigeno et al.

(10) **Patent No.:** **US D705,190 S**

(45) **Date of Patent:** **** May 20, 2014**

(54) **VITAL SIGNS MONITOR**

(71) Applicants: **Takashi Shigeno**, Kawasaki (JP);
Kazuya Andachi, Tokyo (JP);
Yoshikazu Inami, Akashi (JP); **Ayumu Okada**, Aichi (JP); **Tomonori Inoue**,
Kyoto (JP); **Yoshihisa Miwa**, Kusatsu
(JP)

(72) Inventors: **Takashi Shigeno**, Kawasaki (JP);
Kazuya Andachi, Tokyo (JP);
Yoshikazu Inami, Akashi (JP); **Ayumu Okada**, Aichi (JP); **Tomonori Inoue**,
Kyoto (JP); **Yoshihisa Miwa**, Kusatsu
(JP)

(73) Assignee: **OMRON HEALTHCARE Co., Ltd.**,
Kyoto (JP)

(**) Term: **14 Years**

(21) Appl. No.: **29/451,932**

(22) Filed: **Apr. 10, 2013**

Related U.S. Application Data

(62) Division of application No. 29/399,180, filed on Aug.
10, 2011, now Pat. No. Des. 683,034.

(30) **Foreign Application Priority Data**

Feb. 15, 2011	(JP)	2011-003114
Feb. 15, 2011	(JP)	2011-003115
Jul. 15, 2011	(JP)	2011-016363
Jul. 15, 2011	(JP)	2011-016364
Jul. 15, 2011	(JP)	2011-016365
Jul. 15, 2011	(JP)	2011-016366

(51) **LOC (10) Cl.** **24-01**

(52) **U.S. Cl.**
USPC **D14/186**

(58) **Field of Classification Search**
USPC D24/107, 111, 144, 164-169, 185-187,
D24/232; 600/301, 481, 483-485, 509, 513,
600/519, 544; D10/81

See application file for complete search history.

(56) **References Cited**

U.S. PATENT DOCUMENTS

D414,870 S 10/1999 Saltzstein et al.
D427,315 S 6/2000 Saltzstein et al.

(Continued)

FOREIGN PATENT DOCUMENTS

JP D1239076 5/2005

Primary Examiner — T. Chase Nelson

Assistant Examiner — Mark Cavanna

(74) *Attorney, Agent, or Firm* — Capitol City TechLaw

(57) **CLAIM**

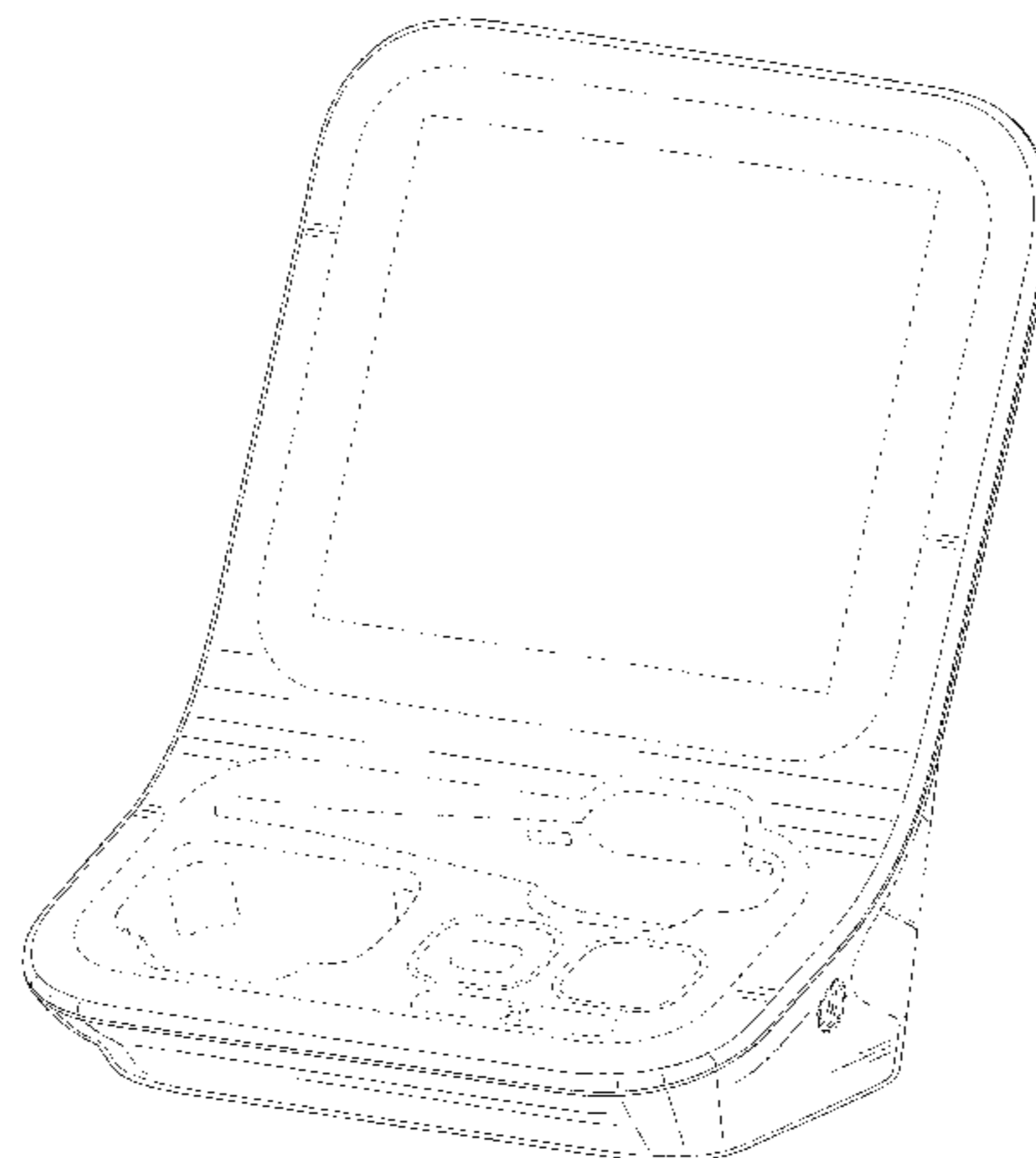
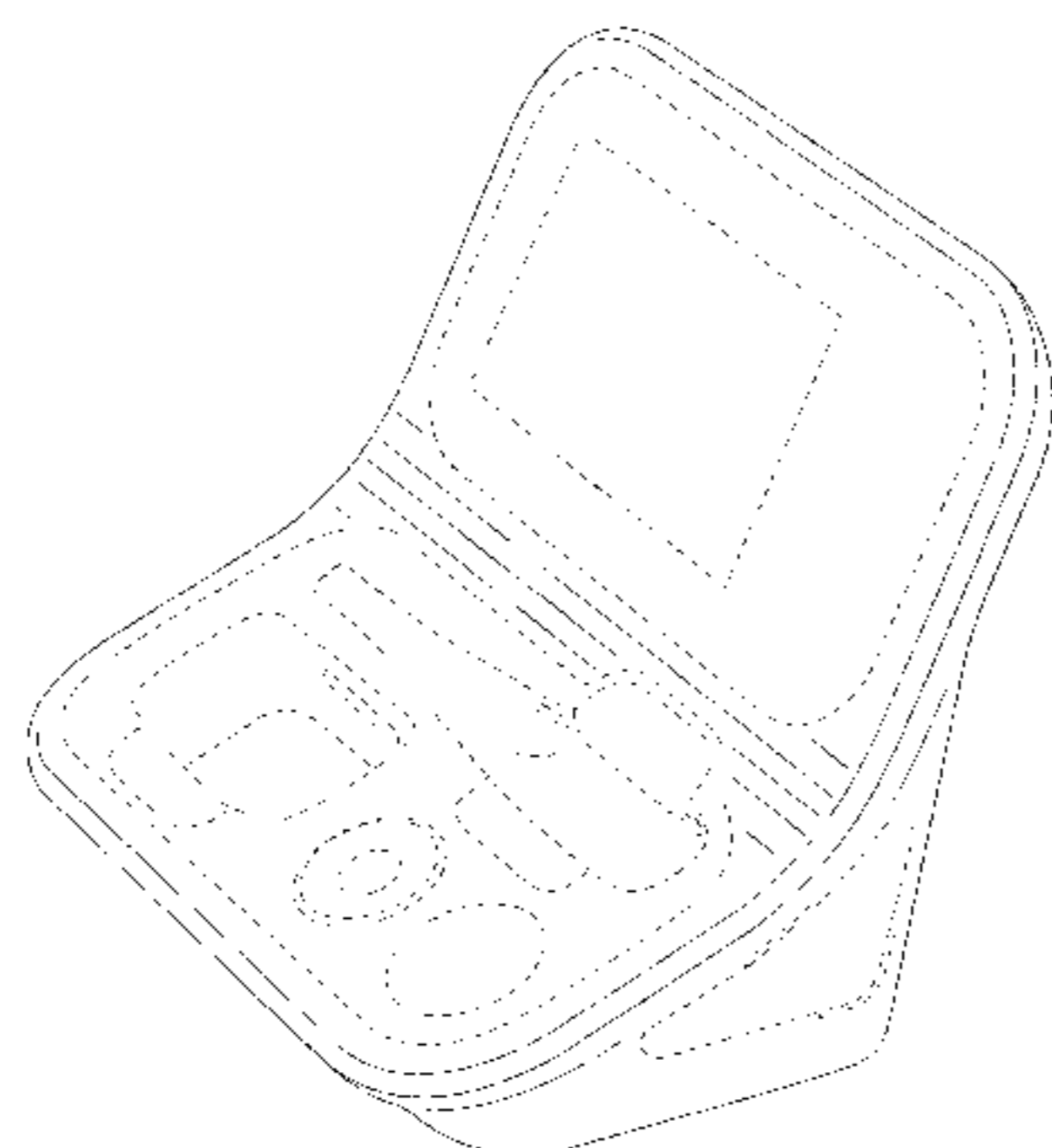
The ornamental design for a vital signs monitor, as shown and described.

DESCRIPTION

FIG. 1 is a front, top, and right side perspective view of a first embodiment of a vital signs monitor showing our new design; FIG. 2 is a rear, bottom, and left side perspective view thereof; FIG. 3 is a front view thereof; FIG. 4 is a rear view thereof; FIG. 5 is a top view thereof; FIG. 6 is a bottom view thereof; FIG. 7 is a right side view thereof; FIG. 8 is a left side view thereof; FIG. 9 is a front, top, and right side perspective view of a second embodiment of a vital signs monitor showing our new design; FIG. 10 is a front view thereof; FIG. 11 is a rear view thereof; FIG. 12 is a top view thereof; FIG. 13 is a bottom view thereof; FIG. 14 is a right side view thereof; and, FIG. 15 is a left side view thereof.

The broken lines shown in the figures are included for the purpose of illustrating portions of the vital signs monitor that form no part of the claimed design.

1 Claim, 15 Drawing Sheets



(56)

References Cited

U.S. PATENT DOCUMENTS

D445,190 S 7/2001 Byler et al.
D446,306 S 8/2001 Ochi et al.
D460,559 S 7/2002 Knieriem et al.
D467,349 S 12/2002 Niedbala et al.
D489,816 S 5/2004 Ross
D490,516 S 5/2004 Takahashi et al.
D522,657 S 6/2006 Murphy et al.
D535,031 S 1/2007 Barrett et al.
D536,793 S 2/2007 Assad et al.

D588,702 S * 3/2009 Cirelli D24/188
D597,216 S * 7/2009 McGuigan et al. D24/216
D598,551 S 8/2009 Miwa et al.
D600,814 S 9/2009 Lathrop et al.
D607,569 S * 1/2010 Yukikado et al. D24/186
D609,343 S 2/2010 Omaki
D609,344 S 2/2010 Hara
D616,100 S 5/2010 Moscovita et al.
D644,544 S * 9/2011 Yukikado D10/81
D647,209 S * 10/2011 Muller et al. D24/216
D651,319 S 12/2011 Hara

* cited by examiner

FIG. 1

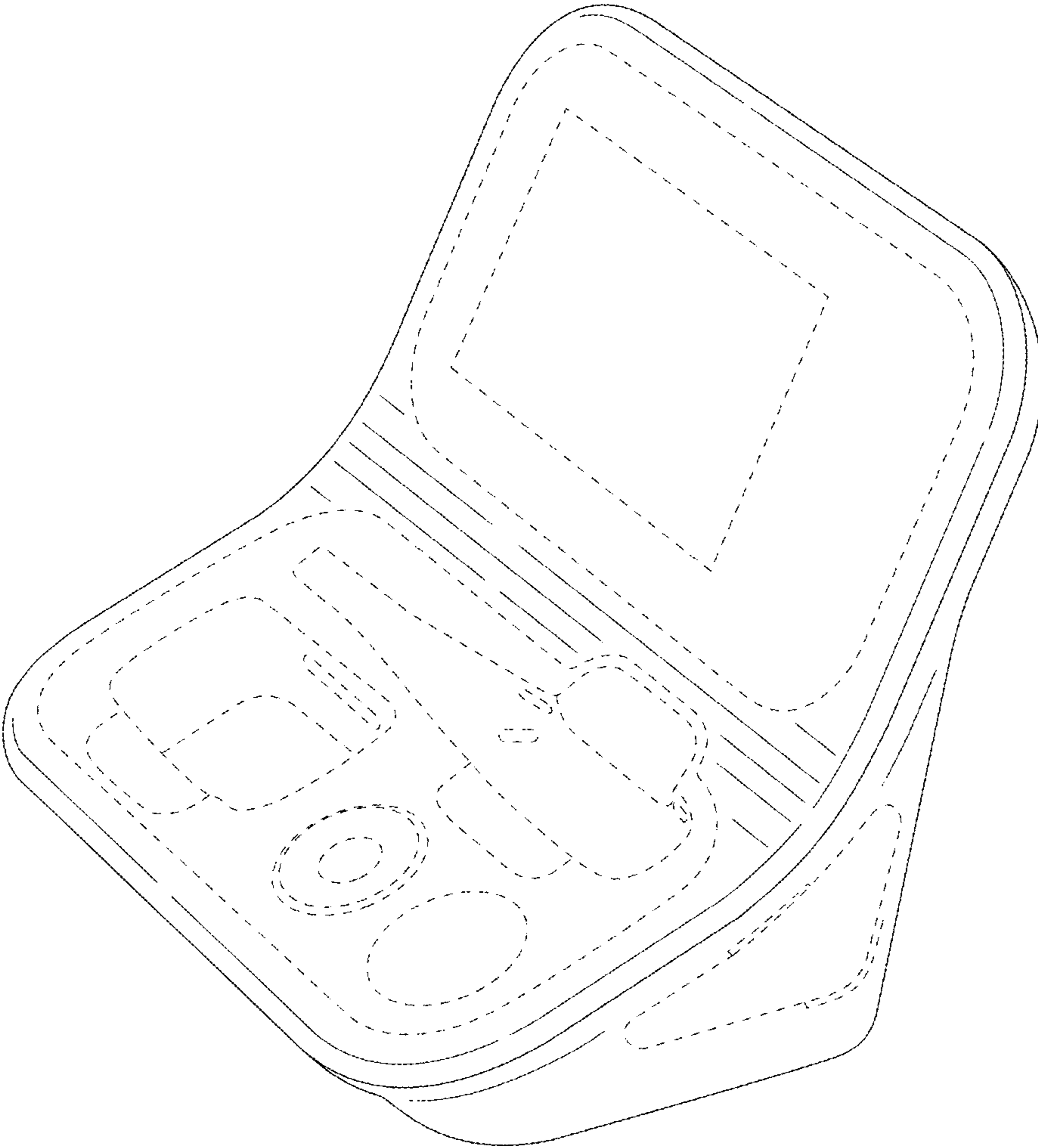


FIG. 2

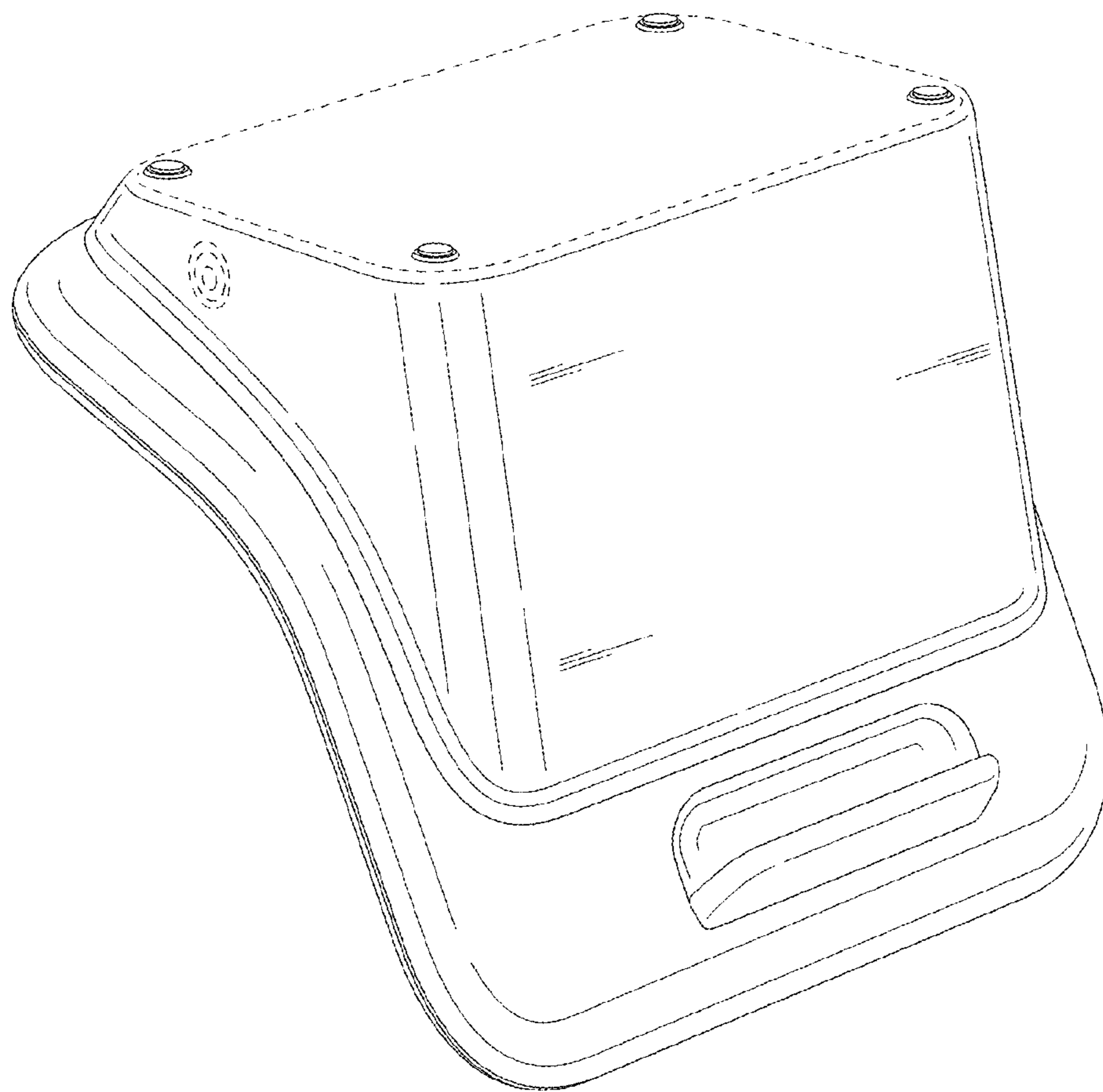


FIG. 3

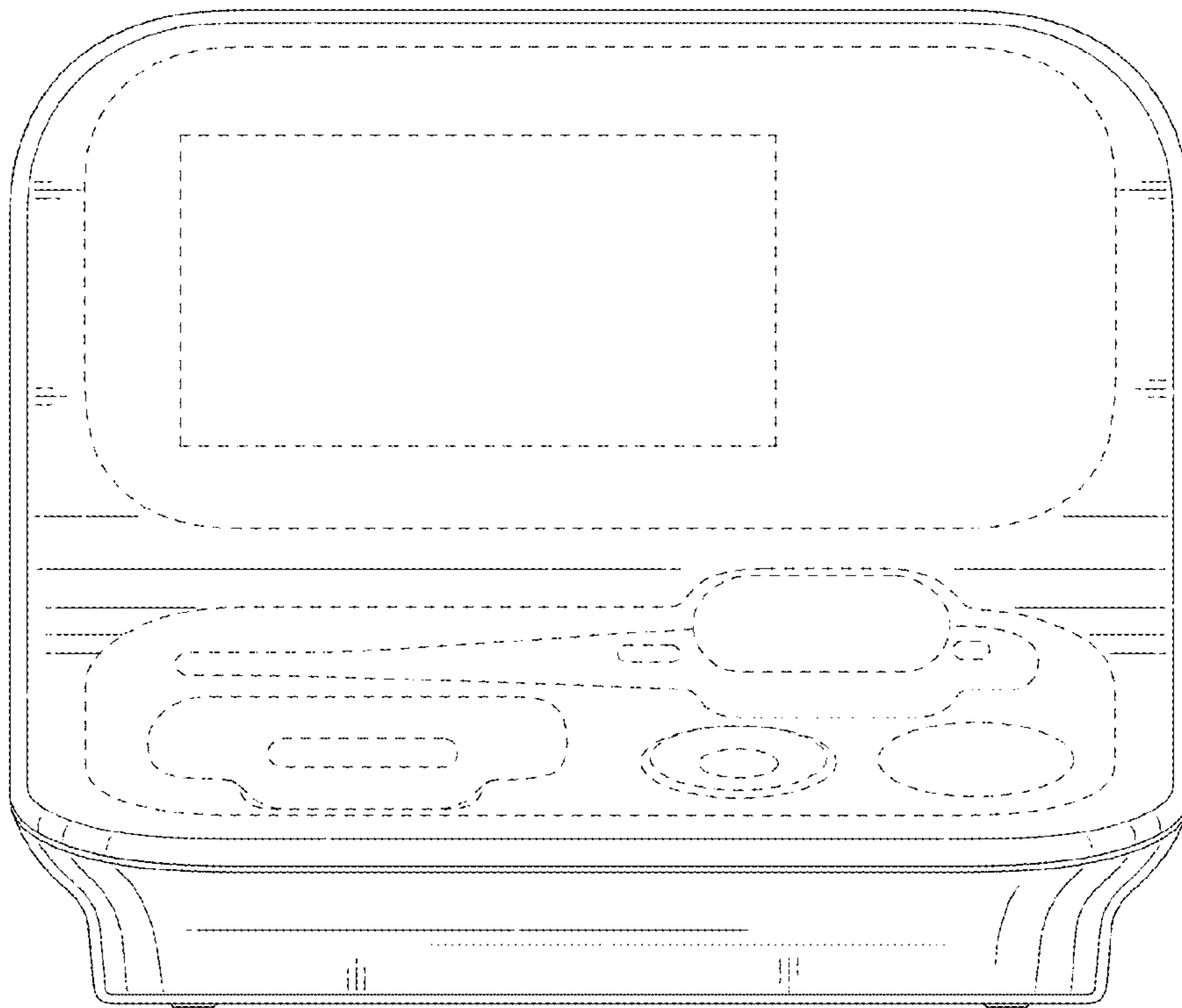


FIG. 4

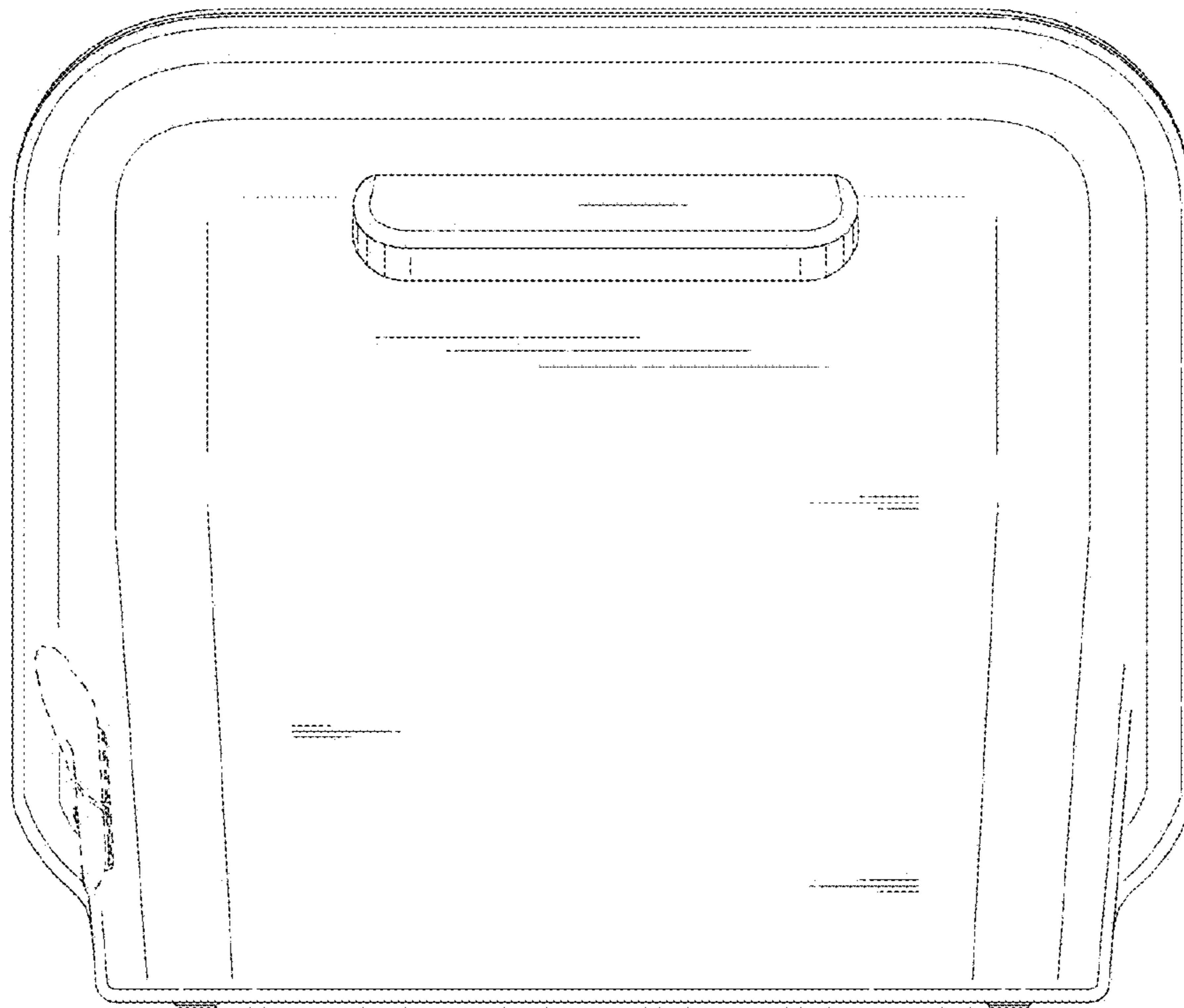


FIG. 5



FIG. 6

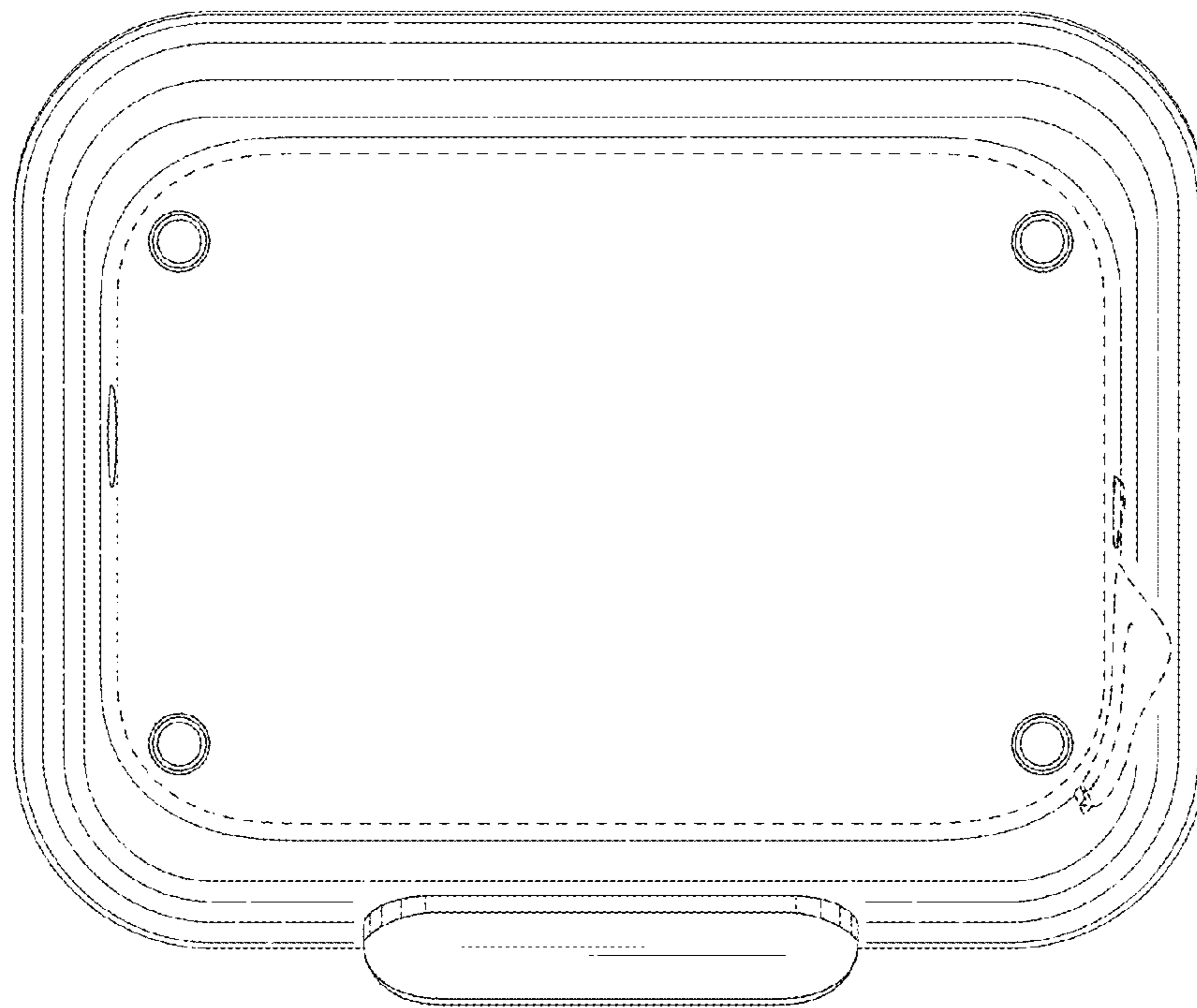


FIG. 7

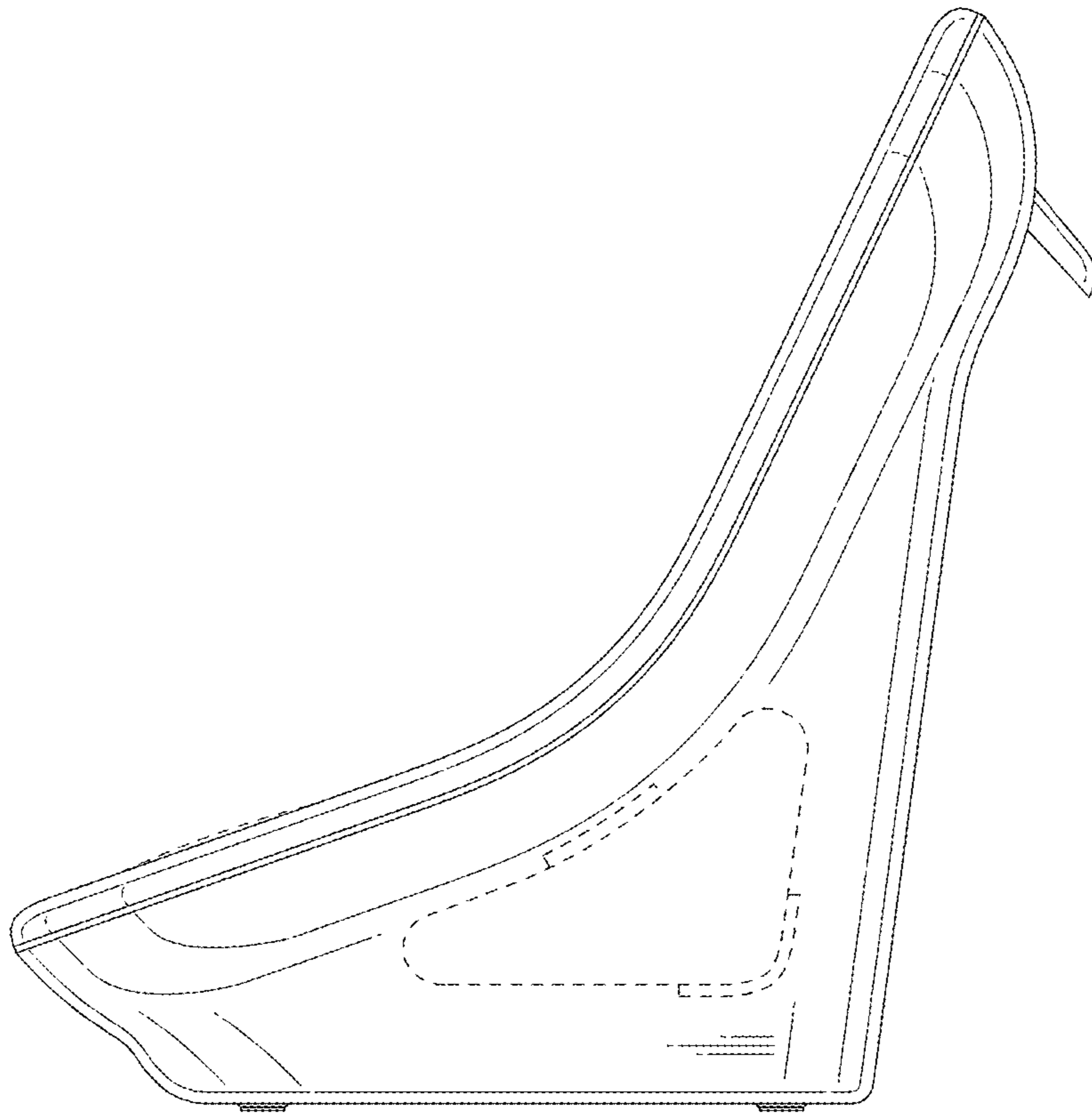


FIG. 8

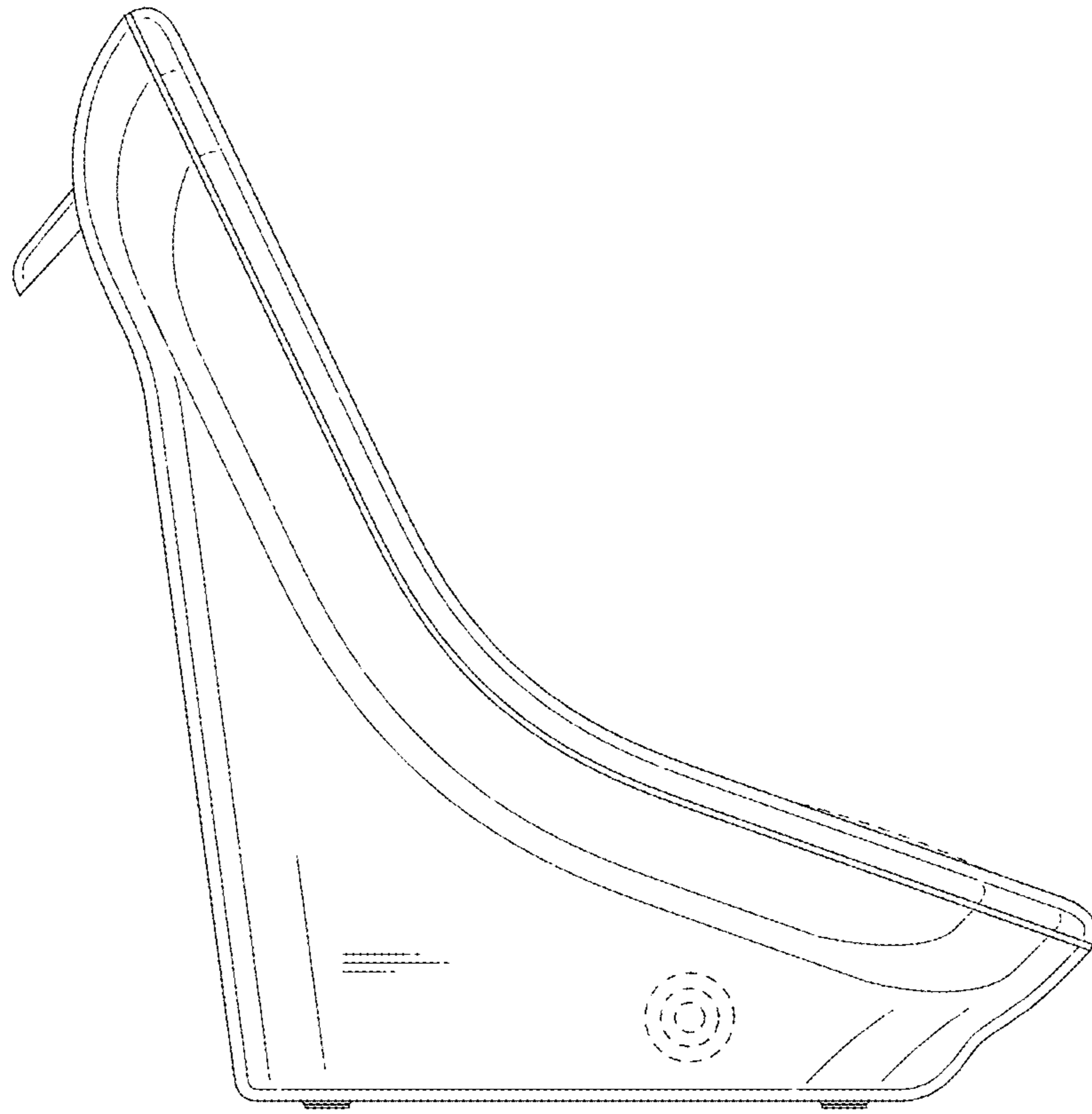


FIG. 9



FIG.10

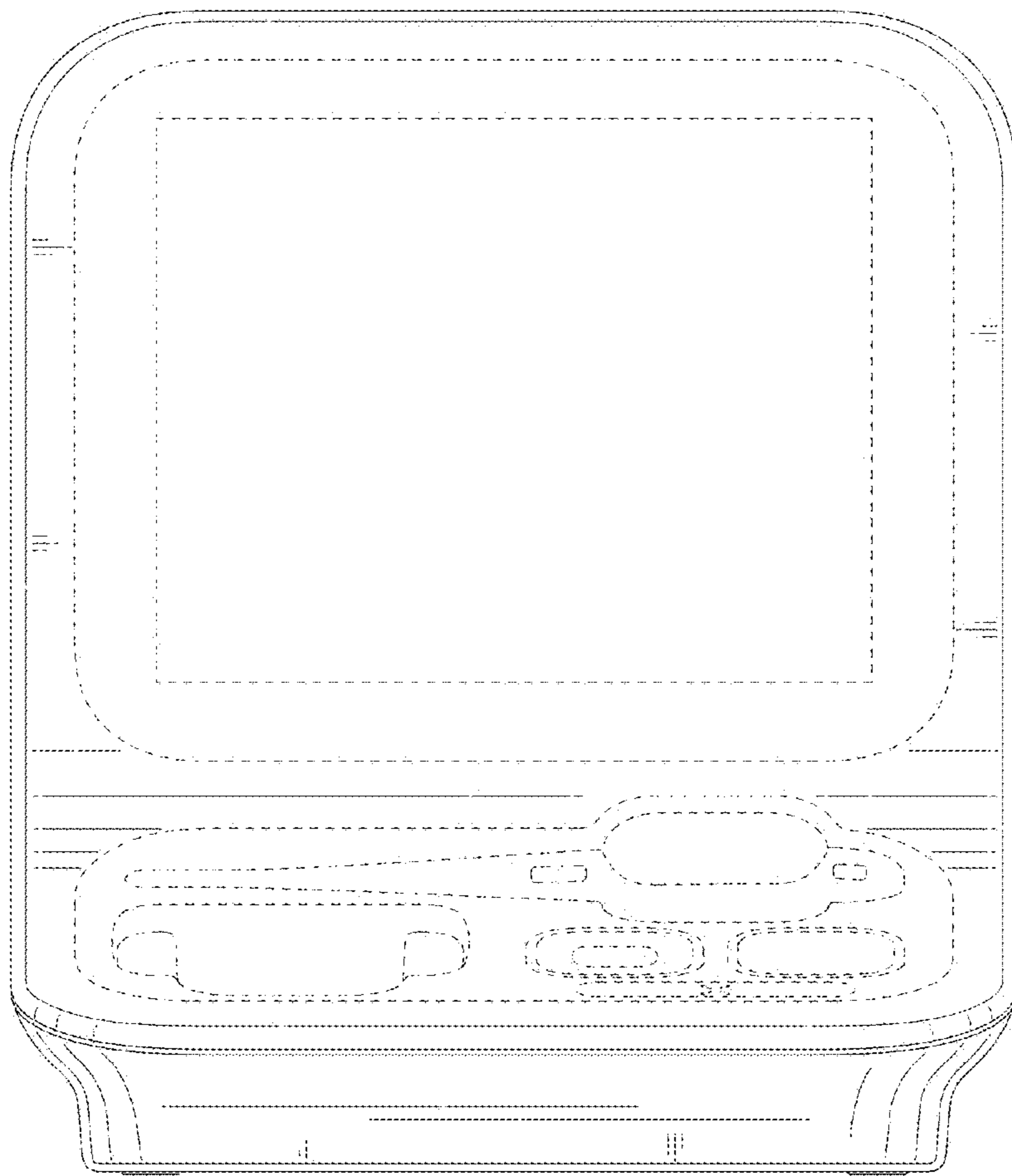


FIG. 11



FIG.12



FIG. 13

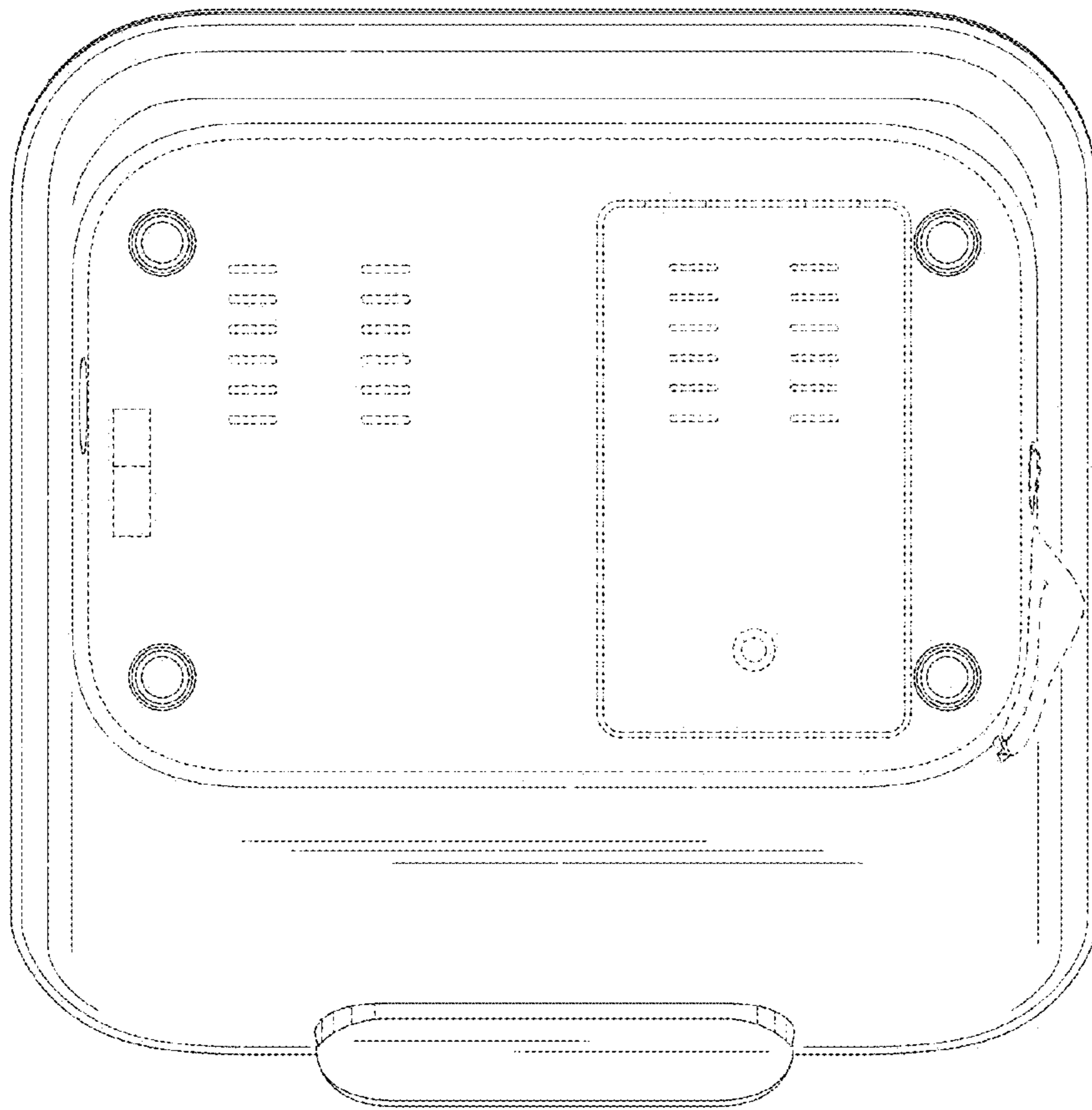


FIG.14

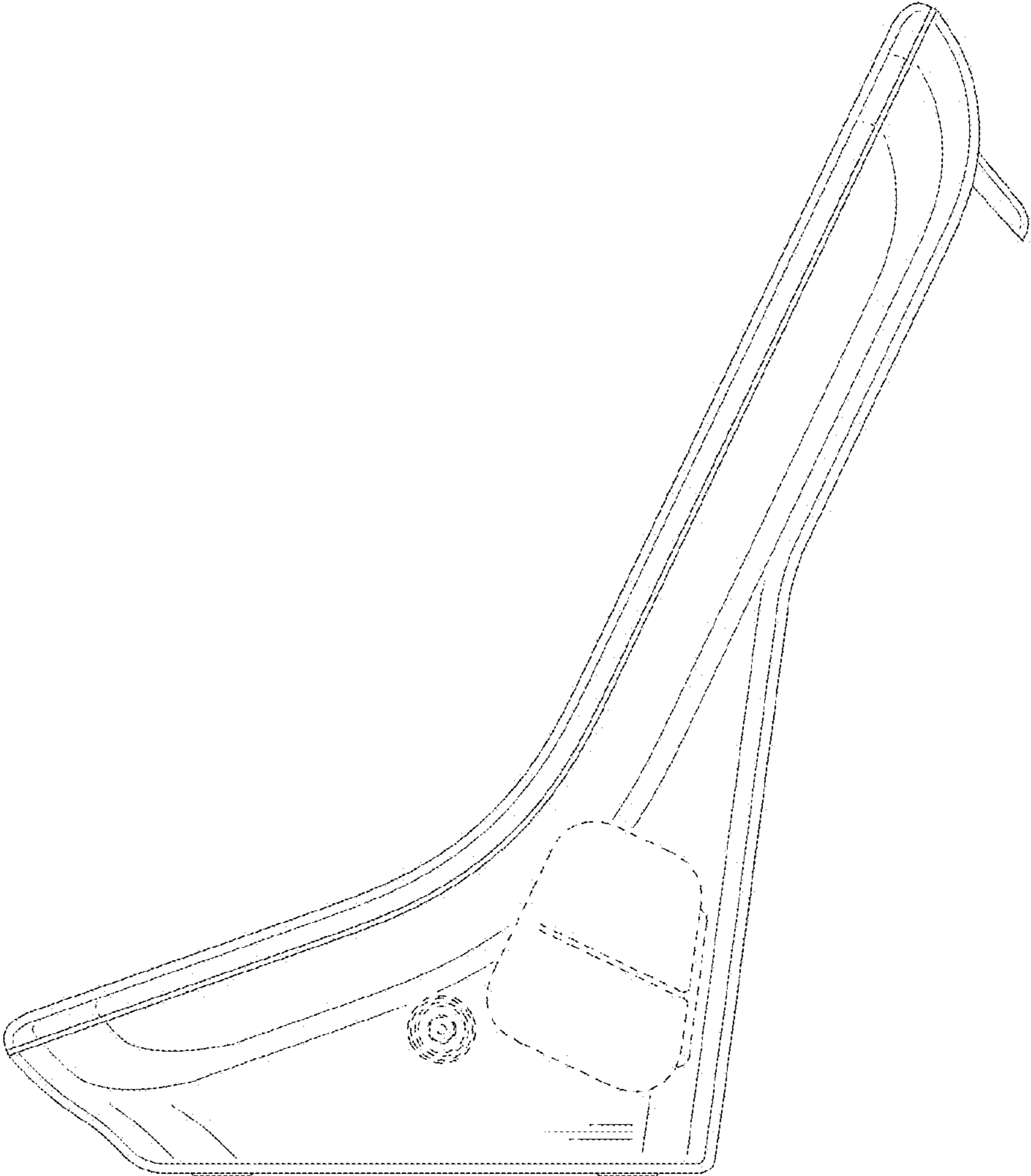


FIG. 15

