



US00D705186S

(12) **United States Design Patent**
Park et al.

(10) **Patent No.:** **US D705,186 S**

(45) **Date of Patent:** **** *May 20, 2014**

(54) **COMMUNICATION DEVICE**

(75) Inventors: **Cheol Woo Park**, Chicago, IL (US); **Xin Se**, Beijing (CN)

(73) Assignee: **Motorola Mobility LLC**, Libertyville, IL (US)

(*) Notice: This patent is subject to a terminal disclaimer.

(**) Term: **14 Years**

(21) Appl. No.: **29/417,968**

(22) Filed: **Apr. 11, 2012**

(51) **LOC (10) Cl.** **14-03**

(52) **U.S. Cl.**
USPC **D14/138 G**

(58) **Field of Classification Search**
USPC D14/138 R, 138 AD, 138 AC, 138 C, D14/138 G, 191, 203.1–203.8, 496, 138 AA, D14/138 AB, 137, 147, 218, 341–347, D14/247–248; D10/65, 78, 104; D13/168; D18/7; 455/566, 575.1, 575.3, 575.4
See application file for complete search history.

(56) **References Cited**

U.S. PATENT DOCUMENTS

D577,704 S * 9/2008 Park et al. D14/138 AD
D579,902 S * 11/2008 Kim et al. D14/138 AD

(Continued)

OTHER PUBLICATIONS

Gigabyte GSmart G1355, announced Feb. 2012, [online], [retrieved on Mar. 15, 2012]. Retrieved from Internet ,<URL: <http://www.gsmarena.com>>.*

(Continued)

Primary Examiner — Bridget L Eland

(74) *Attorney, Agent, or Firm* — Gary J. Cunningham

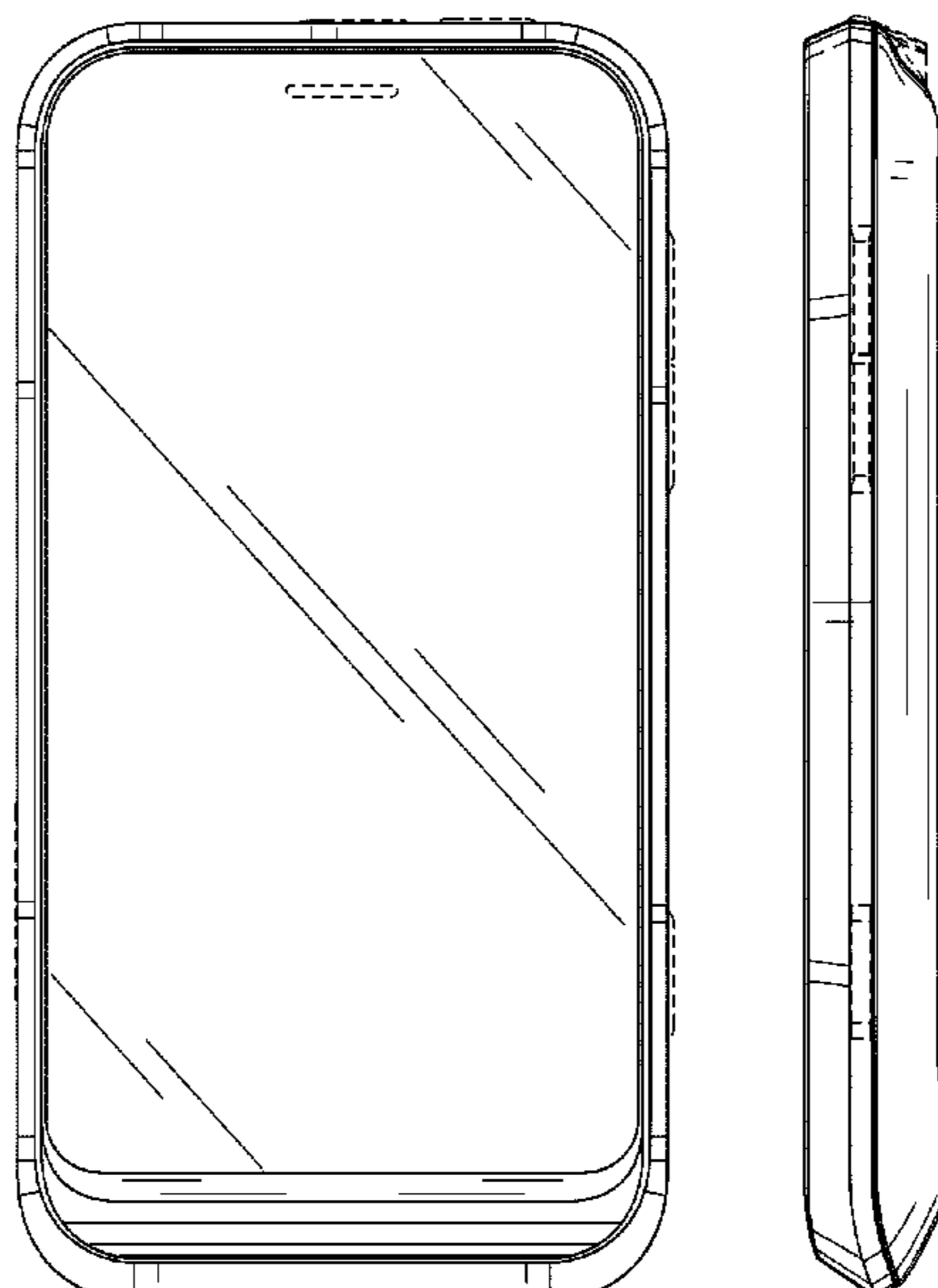
(57) **CLAIM**

The ornamental design for a communication device, as shown and described.

DESCRIPTION

FIG. 1 is a front perspective view of a first embodiment of an ornamental design for a communication device; FIG. 2 is a rear perspective view of the first embodiment thereof; FIG. 3 is a front view of the first embodiment thereof; FIG. 4 is a rear view of the first embodiment thereof; FIG. 5 is a first side view of the first embodiment thereof; FIG. 6 is a second side view of the first embodiment thereof; FIG. 7 is a top view of the first embodiment thereof; and FIG. 8 is a bottom view of the first embodiment thereof. FIG. 9 is a front perspective view of a second embodiment of an ornamental design for a communication device; FIG. 10 is a rear perspective view of the second embodiment thereof; FIG. 11 is a front view of the second embodiment thereof; FIG. 12 is a rear view of the second embodiment thereof; FIG. 13 is a first side view of the second embodiment thereof; FIG. 14 is a second side view of the second embodiment thereof; FIG. 15 is a top view of the second embodiment thereof; and FIG. 16 is a bottom view of the second embodiment thereof. The broken lines shown in FIGS. 1-8, that are immediately adjacent to the shaded areas, and define unshaded regions, represent the bounds of the first embodiment, while all other broken lines are directed to environment and are for illustrative purposes only; the broken lines form no part of the first embodiment.

1 Claim, 12 Drawing Sheets



(56)

References Cited

OTHER PUBLICATIONS

U.S. PATENT DOCUMENTS

D589,487 S * 3/2009 Park et al. D14/138 AD
 D593,059 S * 5/2009 Kim et al. D14/138 G
 D594,840 S * 6/2009 Kim et al. D14/138 G
 D597,067 S * 7/2009 Oh et al. D14/203.7
 D604,716 S * 11/2009 Oh et al. D14/203.7
 D606,506 S * 12/2009 Choi et al. D14/138 AD
 D615,059 S * 5/2010 Price et al. D14/138 G
 D615,519 S * 5/2010 Kim et al. D14/138 G
 D635,537 S * 4/2011 Kim D14/138 G
 D639,261 S 6/2011 Garnham et al.
 D640,219 S 6/2011 Sutherland et al.
 D641,001 S * 7/2011 Finney et al. D14/138 G
 D643,007 S * 8/2011 Song D14/138 G
 D650,352 S * 12/2011 Cho D14/138 G
 D657,332 S * 4/2012 Veiga et al. D14/138 G
 D658,147 S * 4/2012 Yoon D14/138 G
 D658,148 S * 4/2012 Park D14/138 AD
 D663,280 S * 7/2012 Lee D14/138 AD
 D664,941 S * 8/2012 Price et al. D14/138 G
 D665,371 S * 8/2012 Finney et al. D14/138 G
 D665,762 S * 8/2012 Fujimura et al. D14/138 G
 D665,765 S * 8/2012 Oh D14/138 G
 D668,627 S * 10/2012 Chung D14/138 G
 D670,260 S * 11/2012 Kim et al. D14/138 G
 D675,585 S 2/2013 Park et al.
 D676,818 S 2/2013 Park et al.
 D682,238 S 5/2013 Park et al.
 2010/0248796 A1 * 9/2010 Higashigawa et al. 455/575.4

LG Revolution, announced Jan. 2011, [online], [retrieved on Feb. 1, 2011]. Retrieved from Internet ,<URL: <http://www.gsmarena.com>>.*
 Motorola Defy XT, announced Jul. 2012, [online], [retrieved on Aug. 21, 2012]. Retrieved from Internet ,<URL: <http://www.gsmarena.com>>.*
 ZTE Skate Acqua, announced Feb. 2012, [online], [retrieved on Mar. 15, 2012]. Retrieved from Internet ,<URL: <http://www.gsmarena.com>>.*
 ZTE N880E, announced May 2012, [online], [retrieved on Aug. 22, 2012]. Retrieved from Internet ,<URL: <http://www.gsmarena.com>>.*
 Motorola XT928, announced Dec. 2011, [online], [retrieved on Feb. 3, 2012]. Retrieved from Internet ,<URL: <http://www.gsmarena.com>>.*
 Motorola Defy Mini XT320, announced Jan. 2012, [online], [retrieved on Feb. 3, 2012]. Retrieved from Internet ,<URL: <http://www.gsmarena.com>>.*
 Motorola Defy XT535, announced Mar. 2012, [online], [retrieved on Mar. 15, 2012]. Retrieved from Internet ,<URL: <http://www.gsmarena.com>>.*
 Ye Xu, "Communication Device", Jul. 27, 2012, U.S. Appl. No. 29/366,531.

* cited by examiner

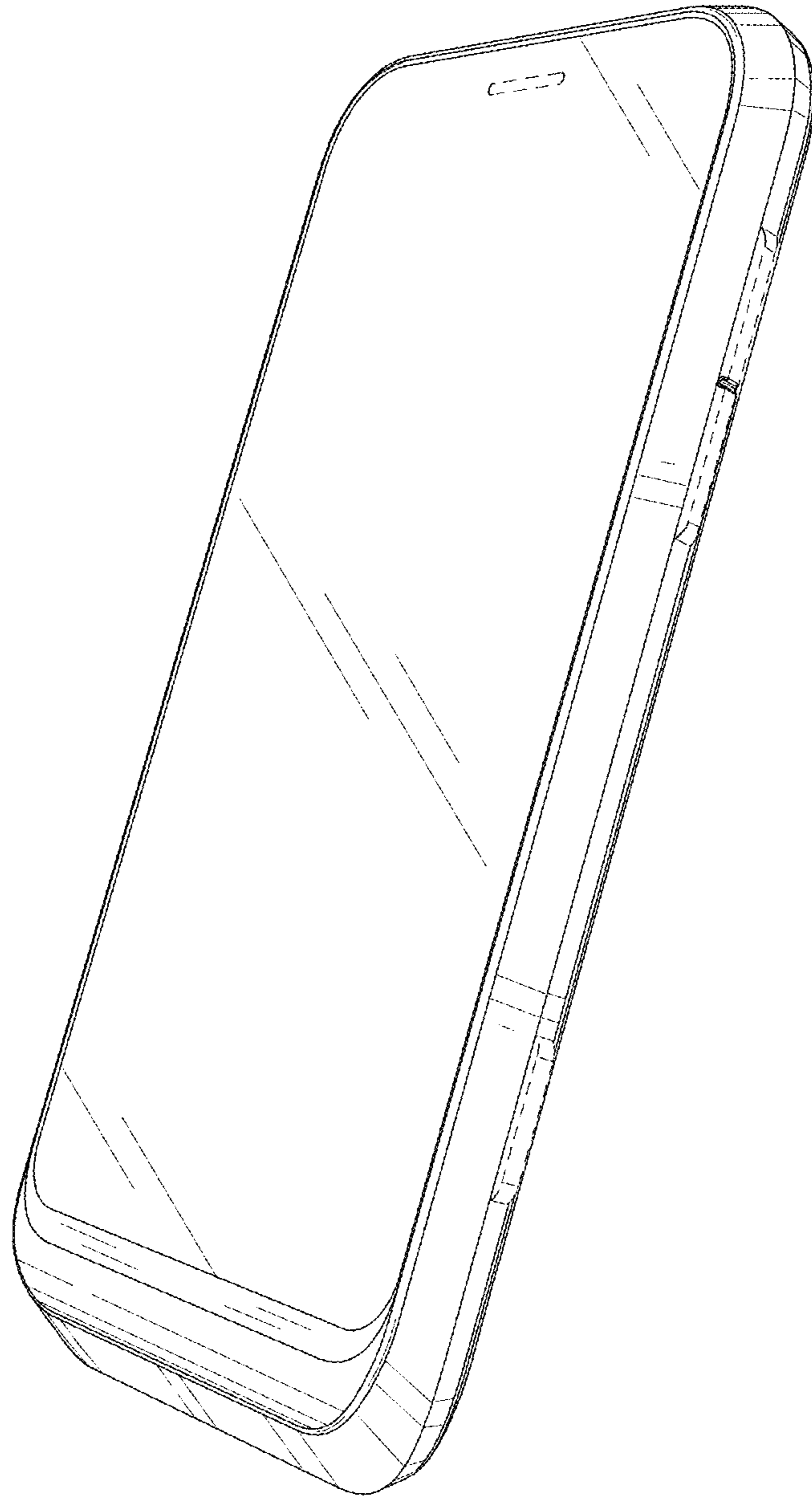


FIG. 1

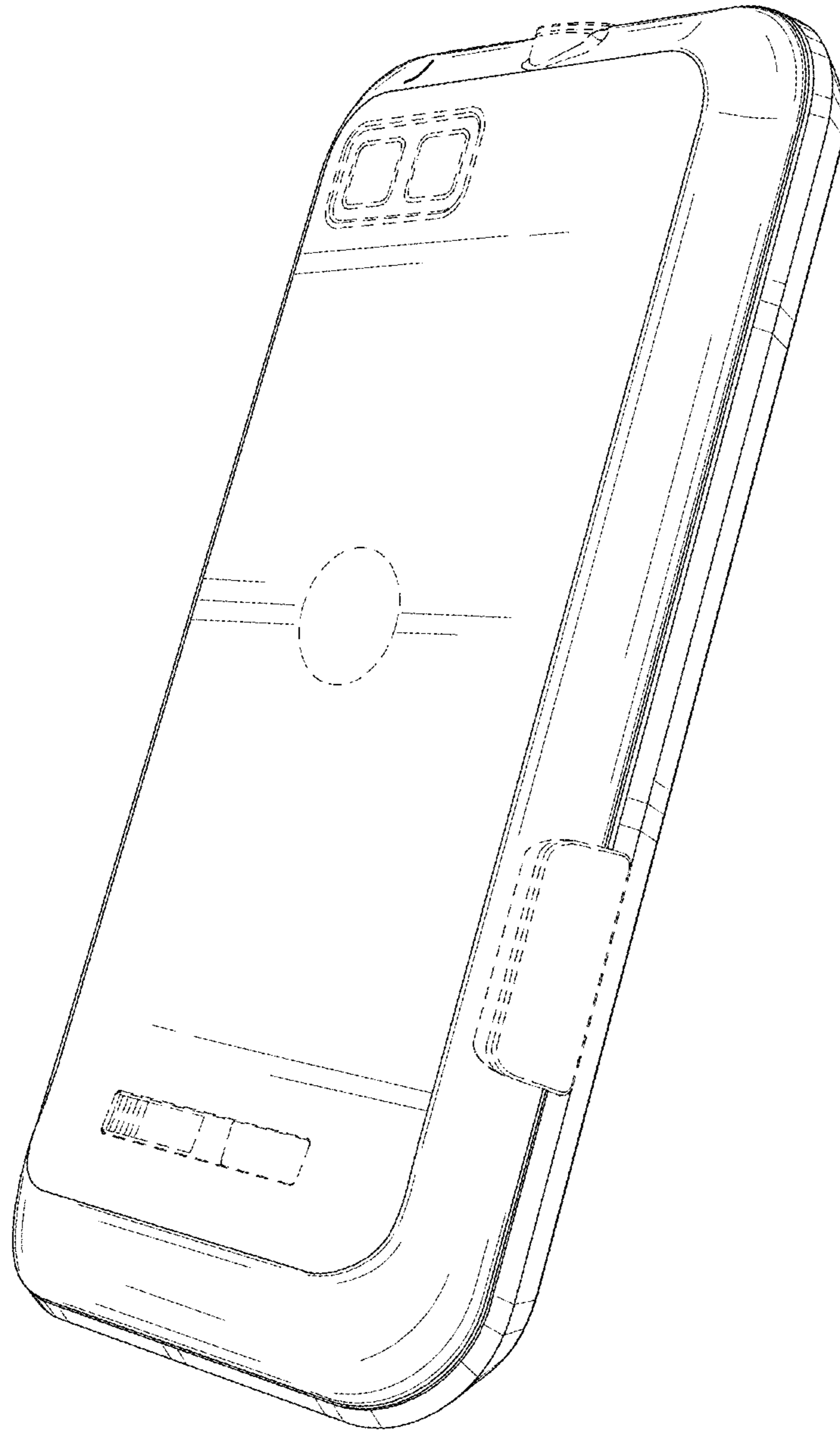


FIG. 2

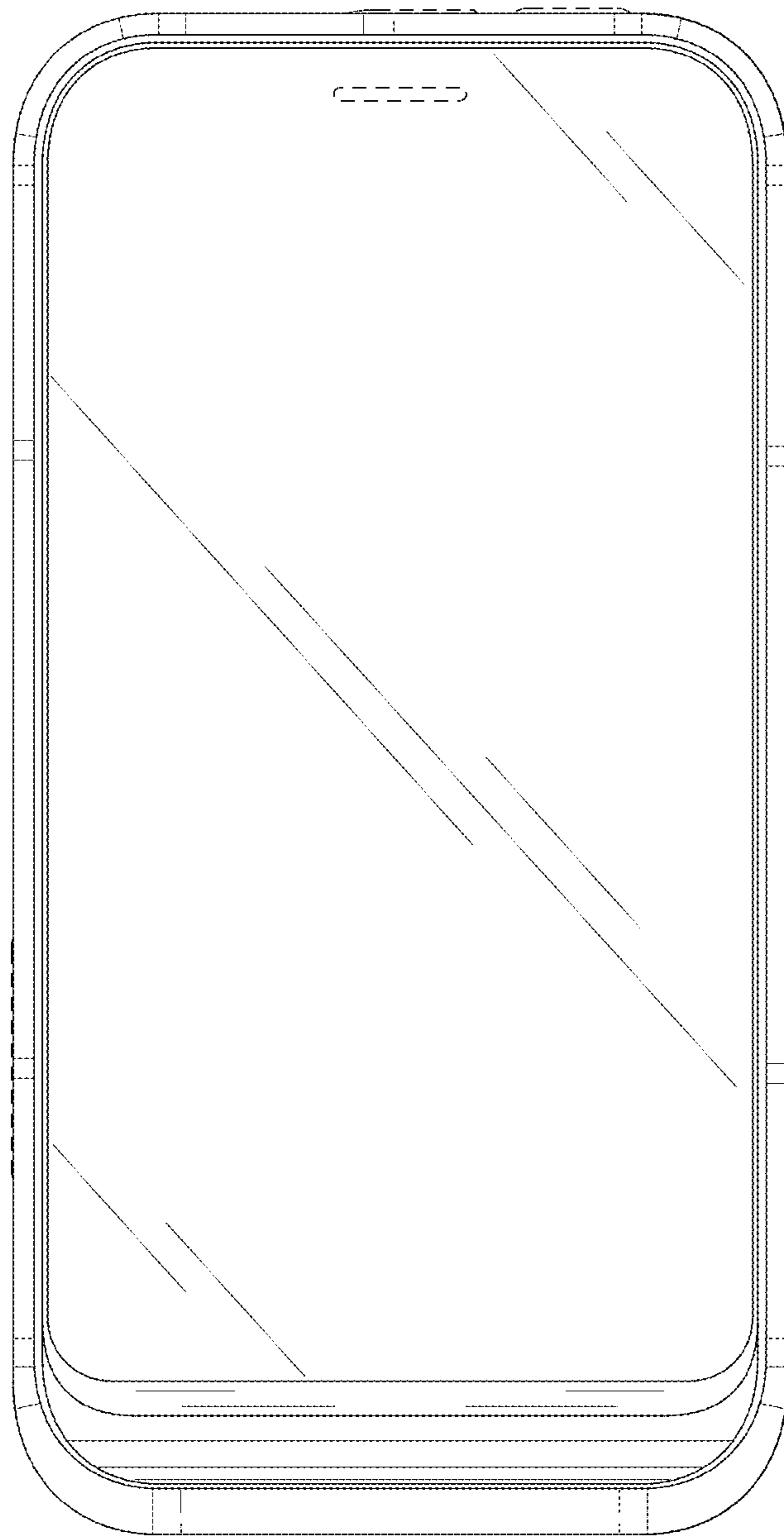


FIG. 3

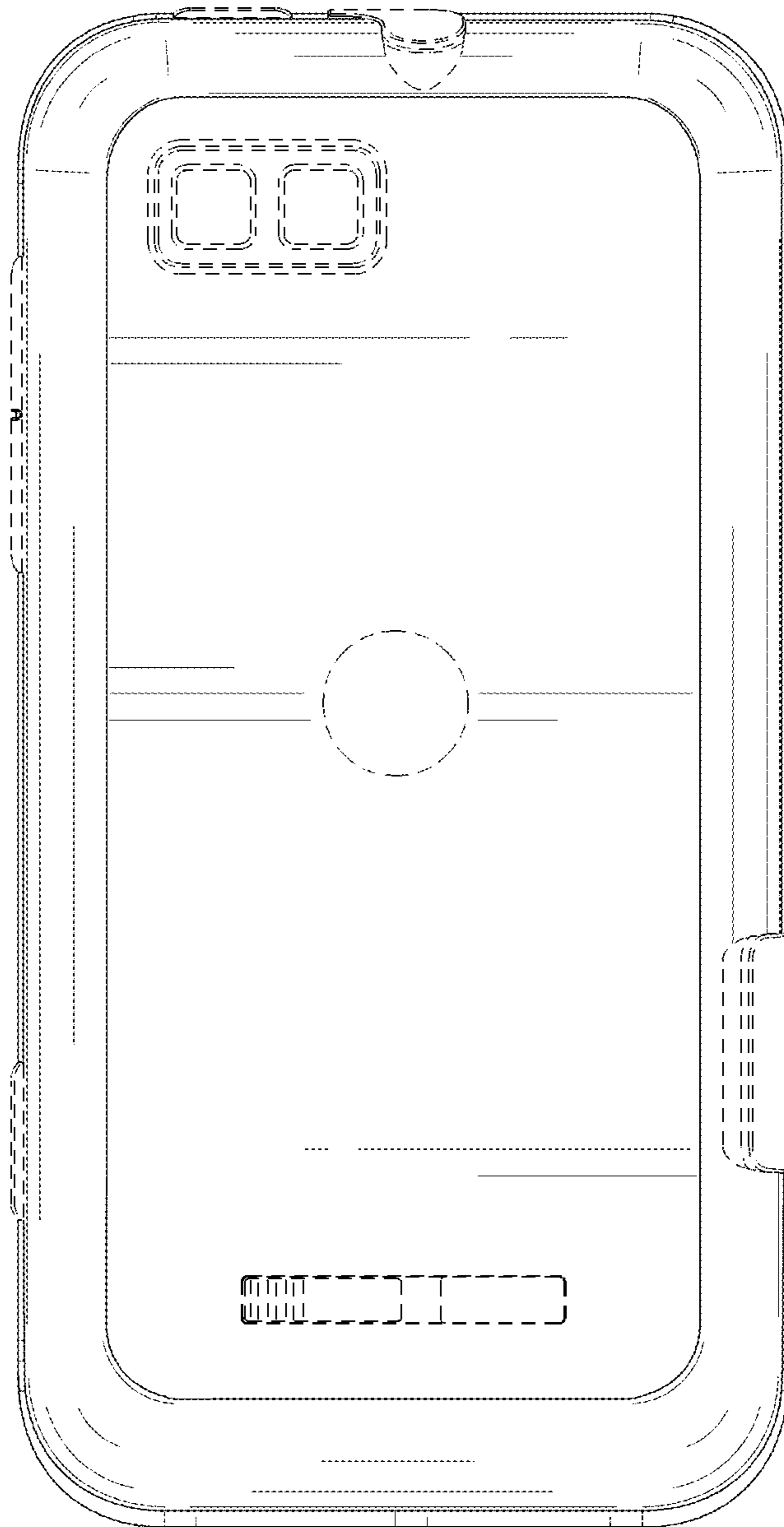


FIG. 4

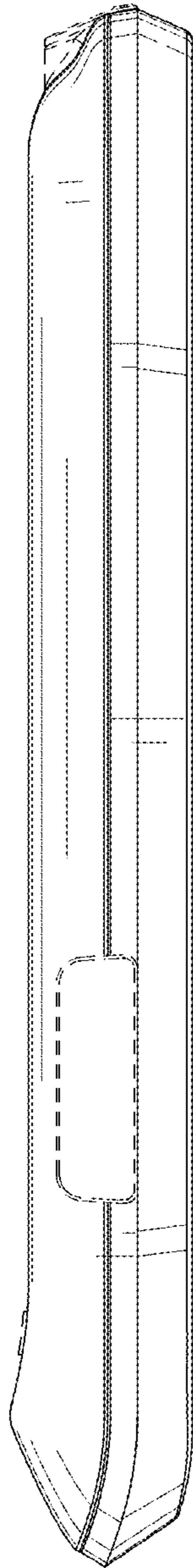


FIG. 5

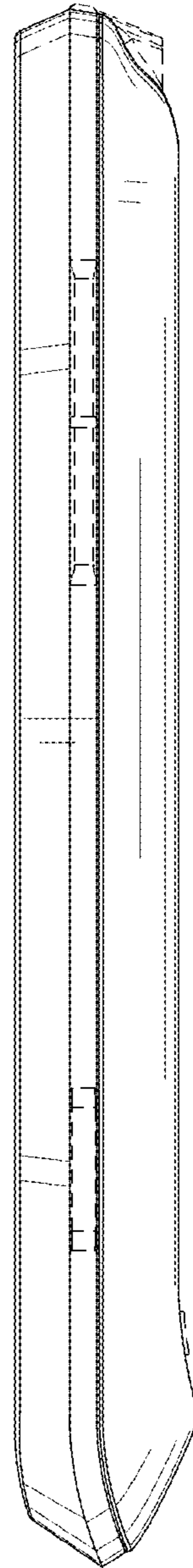


FIG. 6

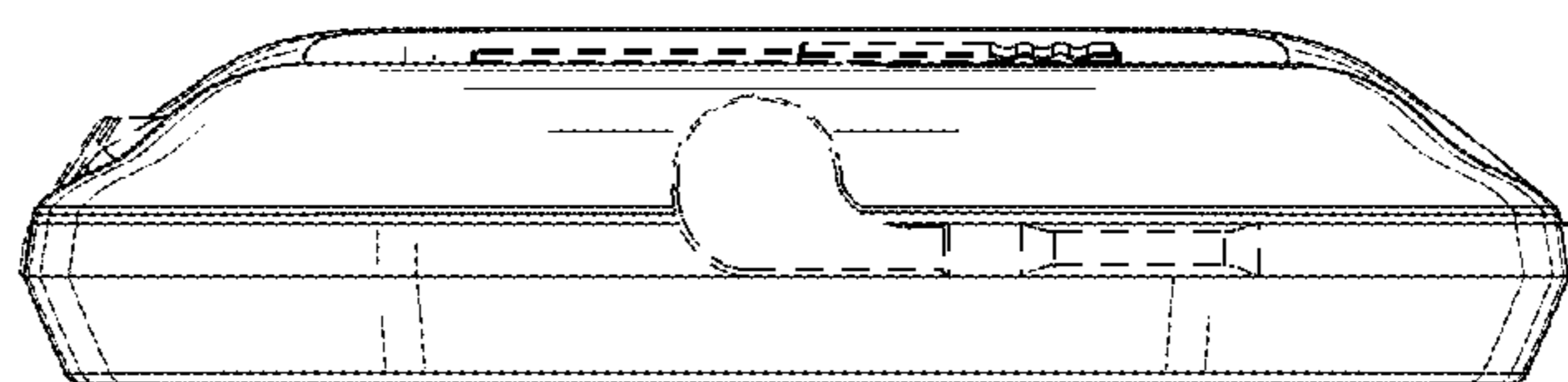


FIG. 7

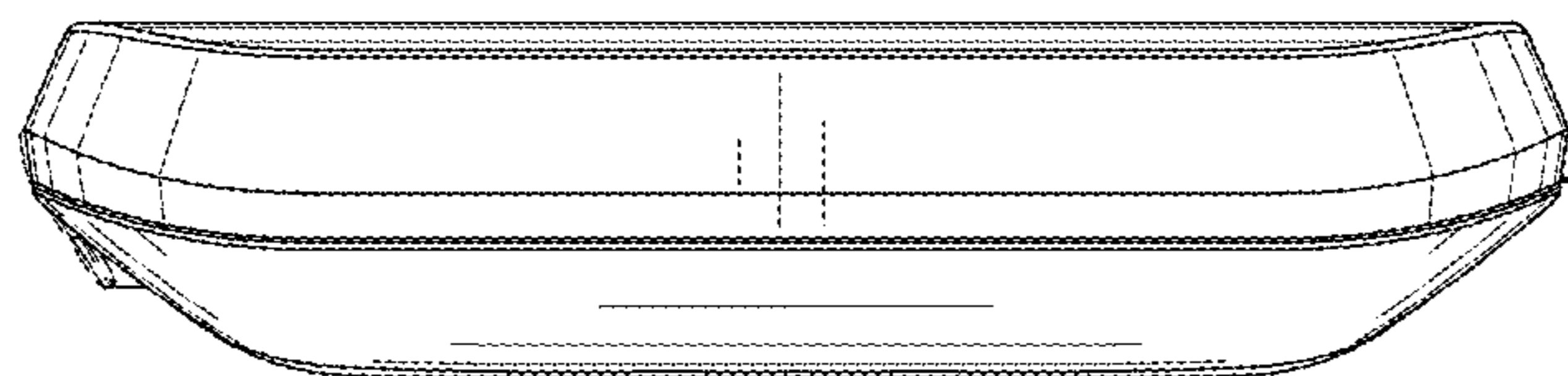


FIG. 8

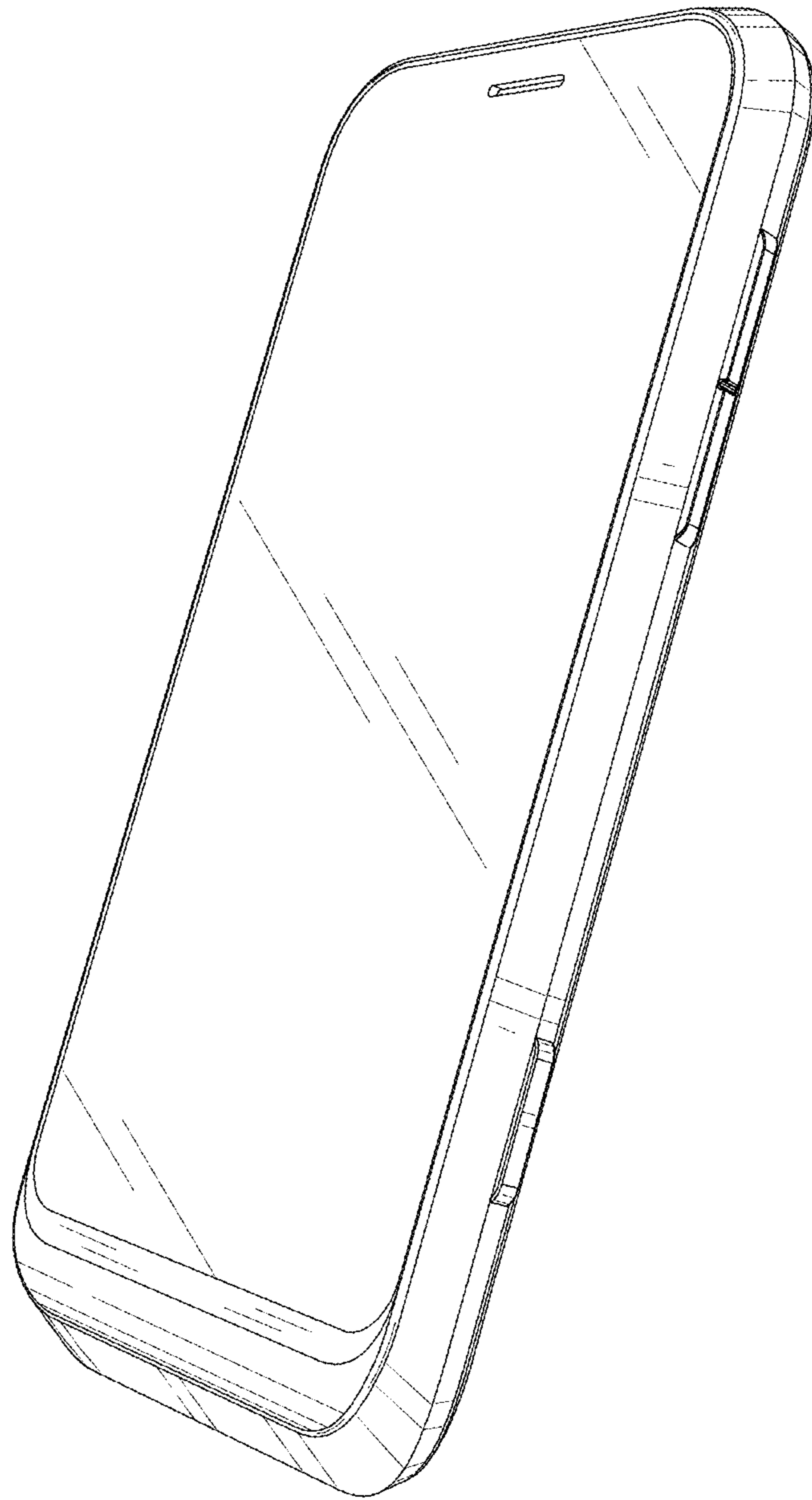


FIG. 9

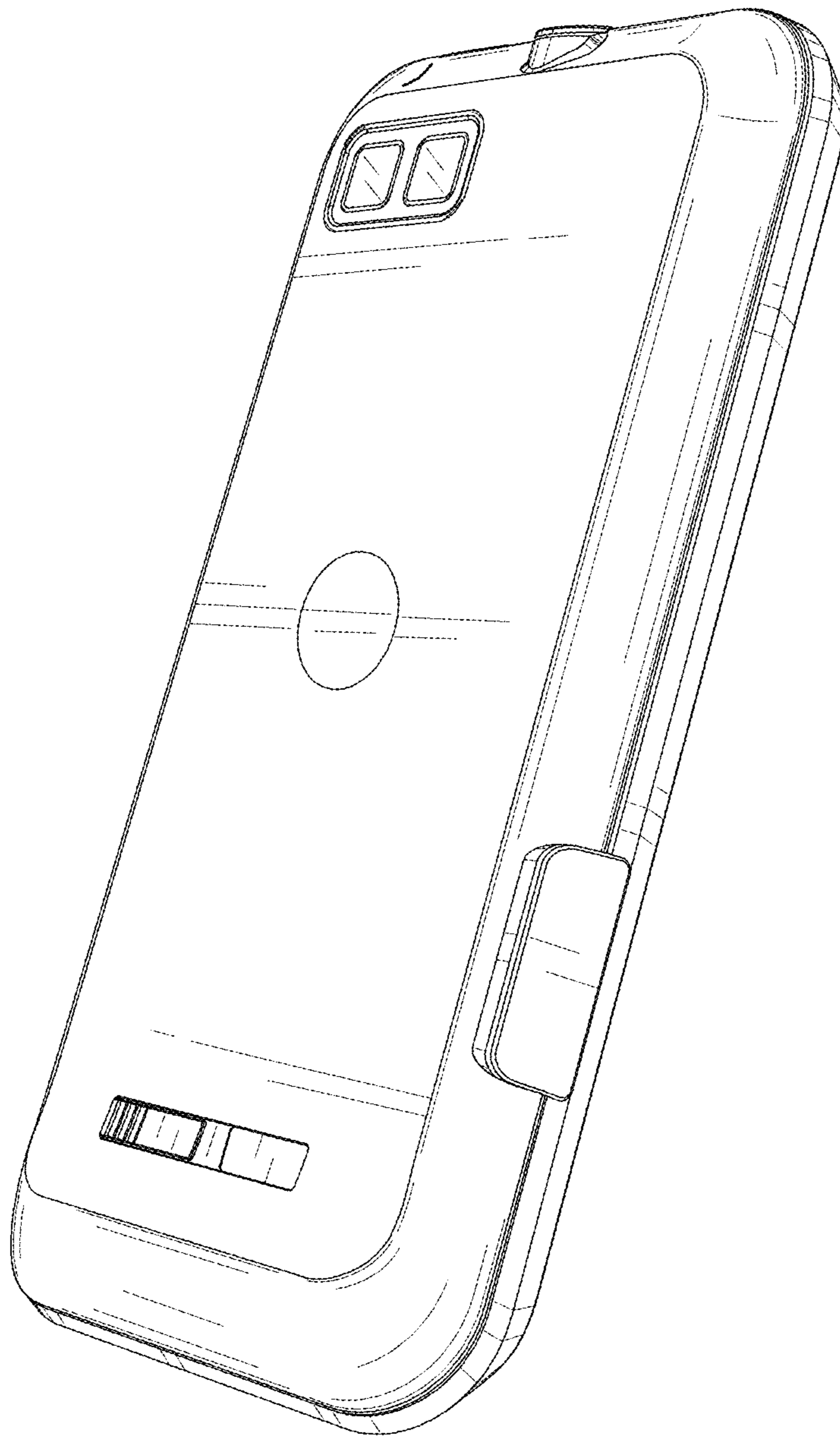


FIG. 10

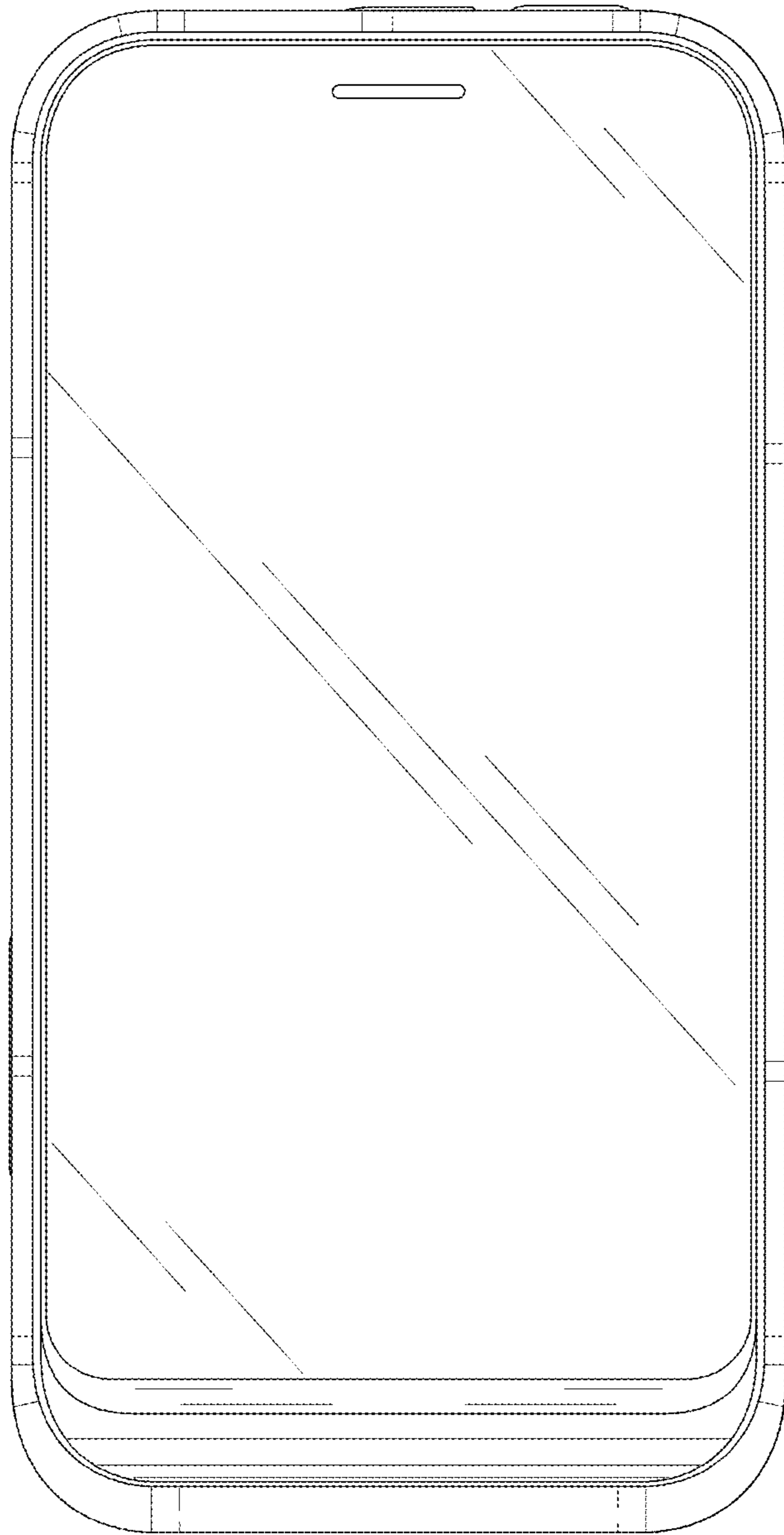


FIG. 11

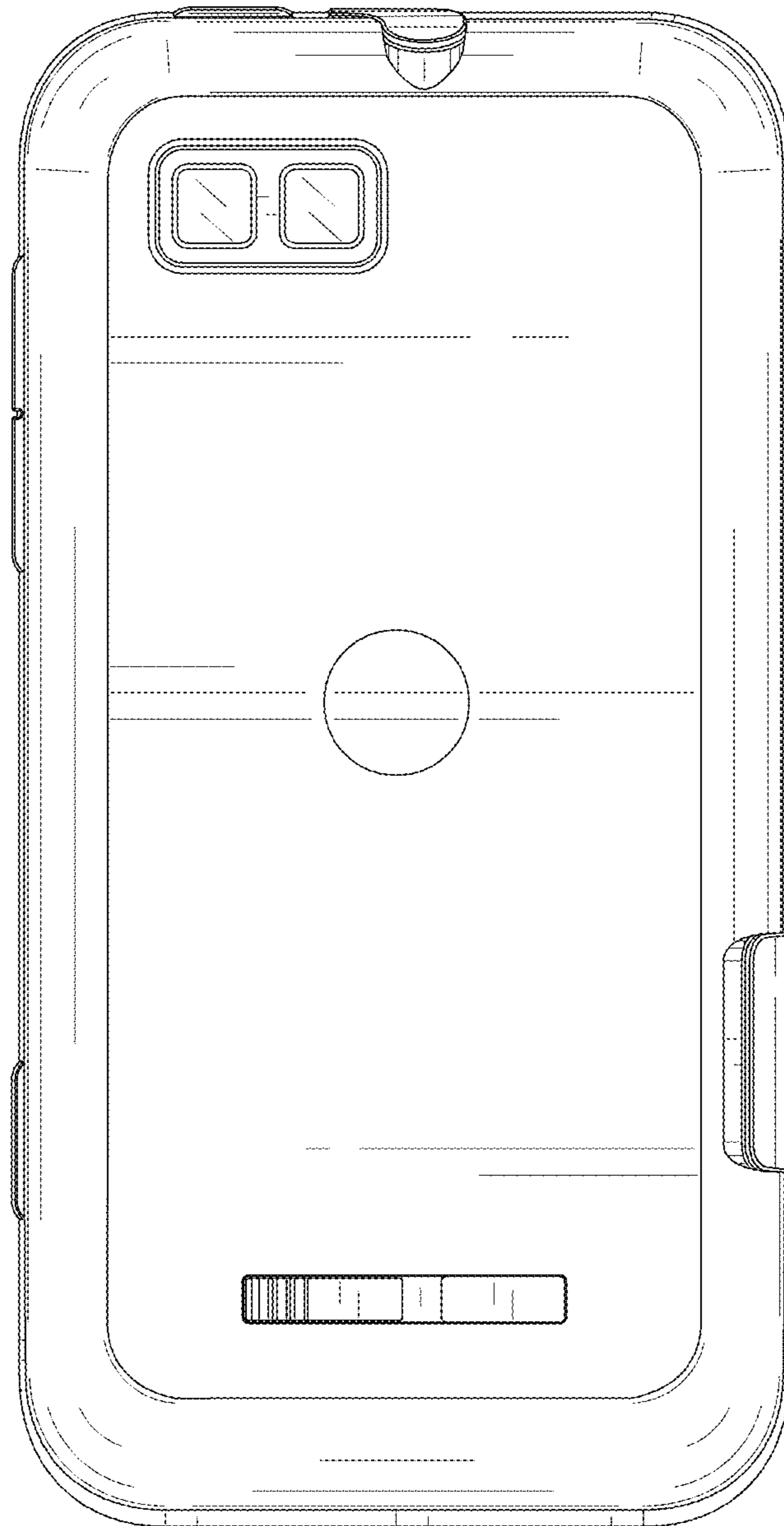


FIG. 12

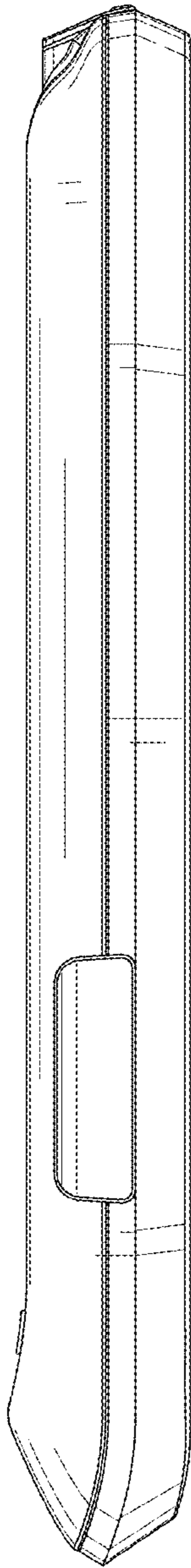


FIG. 13

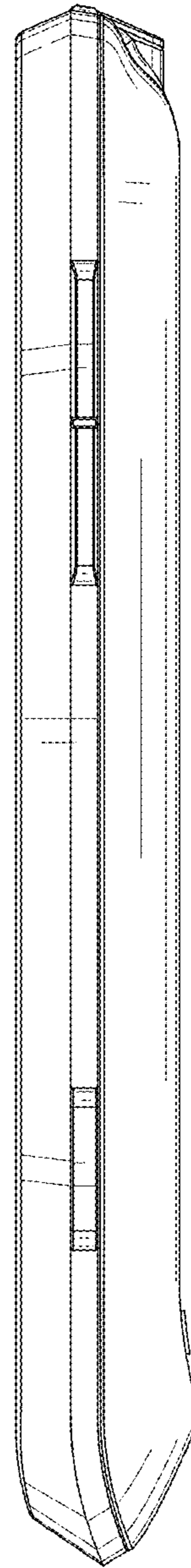


FIG. 14

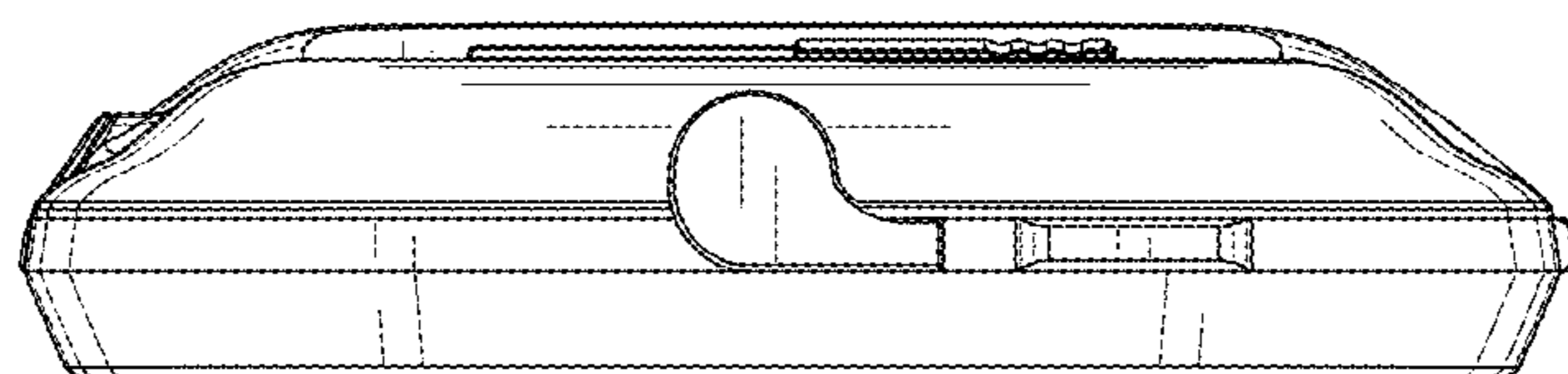


FIG. 15

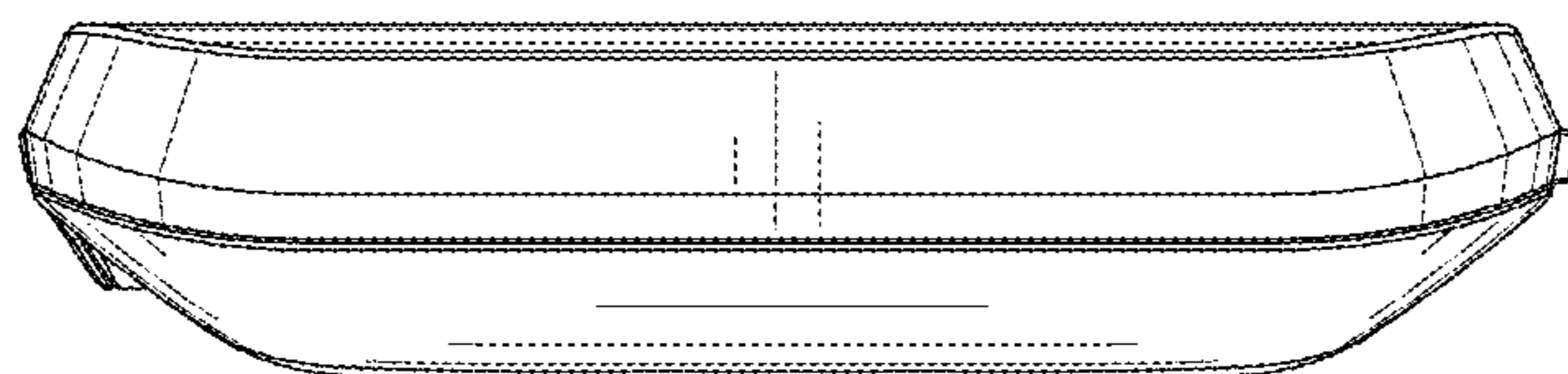


FIG. 16