



US00D705185S

(12) **United States Design Patent**  
**Jeon et al.**

(10) **Patent No.:** **US D705,185 S**  
(45) **Date of Patent:** **\*\* May 20, 2014**

(54) **TELEVISION RECEIVER**  
(71) Applicant: **LG Electronics Inc.**, Seoul (KR)  
(72) Inventors: **Seongahn Jeon**, Seoul (KR); **Hyojin Won**, Seoul (KR)  
(73) Assignee: **LG Electronics Inc.**, Seoul (KR)

D597,041 S \* 7/2009 Cho et al. .... D14/126  
D597,978 S \* 8/2009 Won et al. .... D14/126  
D603,816 S \* 11/2009 Kim et al. .... D14/126  
D609,658 S \* 2/2010 Kim et al. .... D14/126  
D621,375 S \* 8/2010 Nagase ..... D14/126  
D626,924 S \* 11/2010 Miyaji ..... D14/126  
D634,323 S \* 3/2011 Park et al. .... D14/374  
D639,256 S \* 6/2011 Lee et al. .... D14/126

(\*\*) Term: **14 Years**  
(21) Appl. No.: **29/460,052**

\* cited by examiner

*Primary Examiner* — Randall Gholson

(22) Filed: **Jul. 8, 2013**

(74) *Attorney, Agent, or Firm* — Morgan, Lewis & Bockius LLP

(30) **Foreign Application Priority Data**

Jan. 7, 2013 (KR) ..... 30-2013-0001044

(51) **LOC (10) Cl.** ..... **14-03**

(52) **U.S. Cl.**  
USPC ..... **D14/126**

(58) **Field of Classification Search**  
USPC ..... D14/125–134, 239, 371, 136, 374–377,  
D14/440, 450, 448, 336, 342, 159; 312/7.2;  
348/836, 838, 180, 184, 325, 739;  
341/12; 248/917–924, 465; 345/104,  
345/133, 156, 168, 87, 173; 720/605, 669,  
720/600, 655; 369/99, 197; D6/477, 479,  
D6/300; 273/148 B; 446/484, 175, 356;  
D10/15, 26

See application file for complete search history.

(56) **References Cited**

**U.S. PATENT DOCUMENTS**

D579,889 S \* 11/2008 Noh ..... D14/129  
D596,596 S \* 7/2009 Honda ..... D14/126

(57) **CLAIM**

The ornamental design for a television receiver, as shown and described.

**DESCRIPTION**

FIG. 1 is a perspective view of a television receiver showing our new design;  
FIG. 2 is a front view thereof;  
FIG. 3 is a rear view thereof;  
FIG. 4 is a left side view thereof;  
FIG. 5 is a right side view thereof;  
FIG. 6 is a top plan view thereof;  
FIG. 7 is a bottom plan view thereof;  
FIG. 8 is a rear perspective view thereof; and,  
FIG. 9 is an enlarged view taken from FIG. 4.  
The broken lines show unclaimed subject matter only and form no part of the claimed design.

**1 Claim, 8 Drawing Sheets**

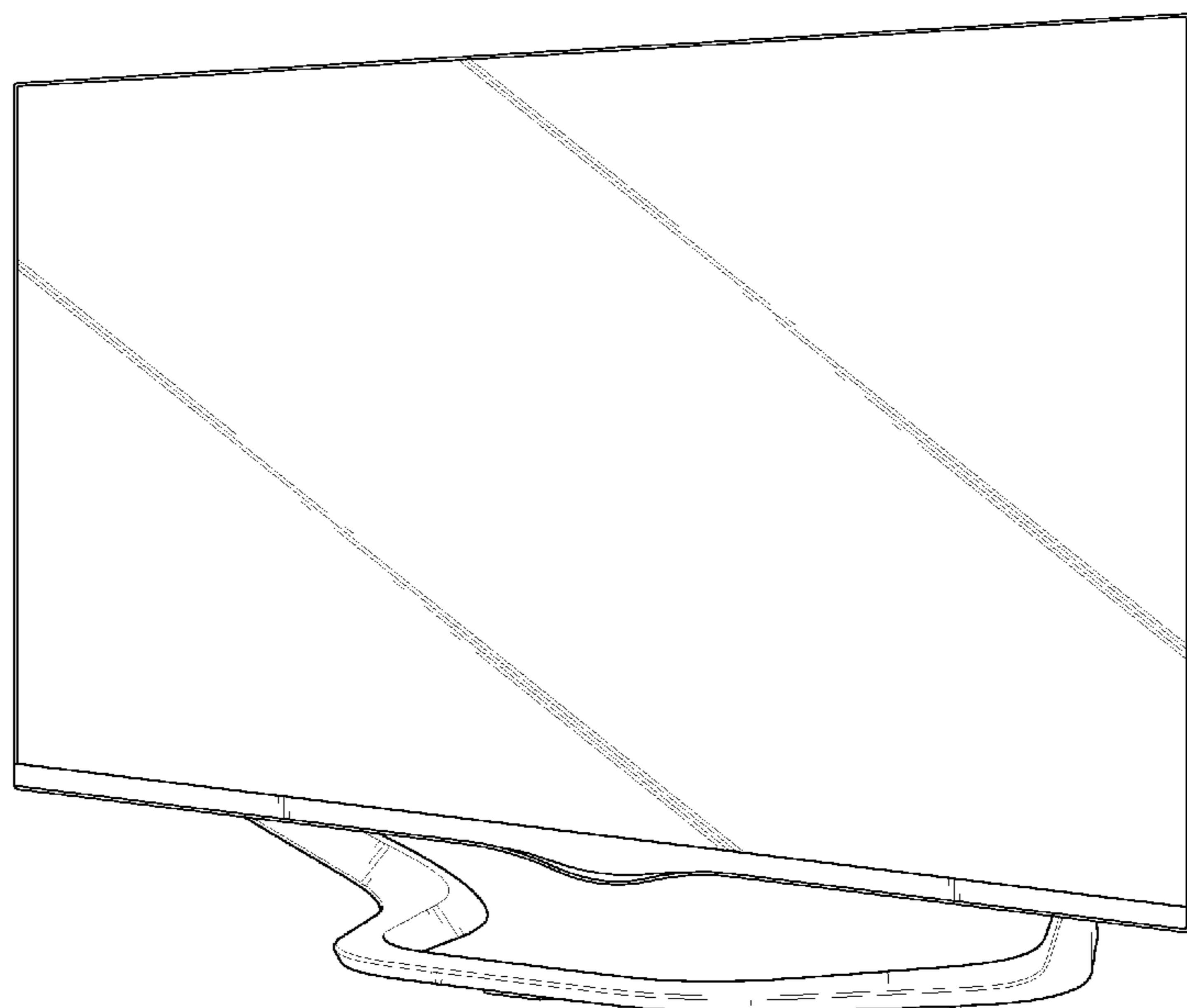


FIG. 1

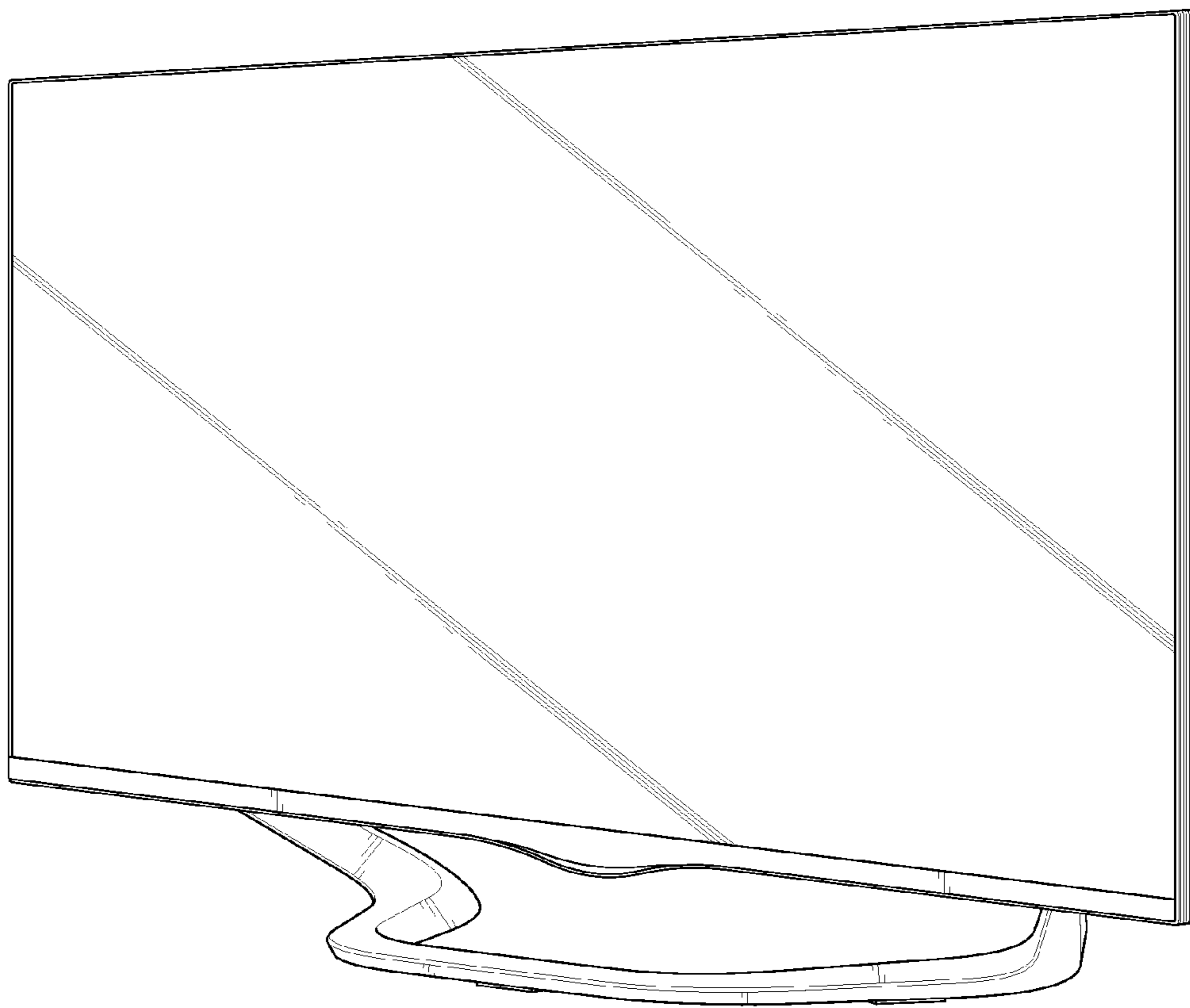


FIG. 2

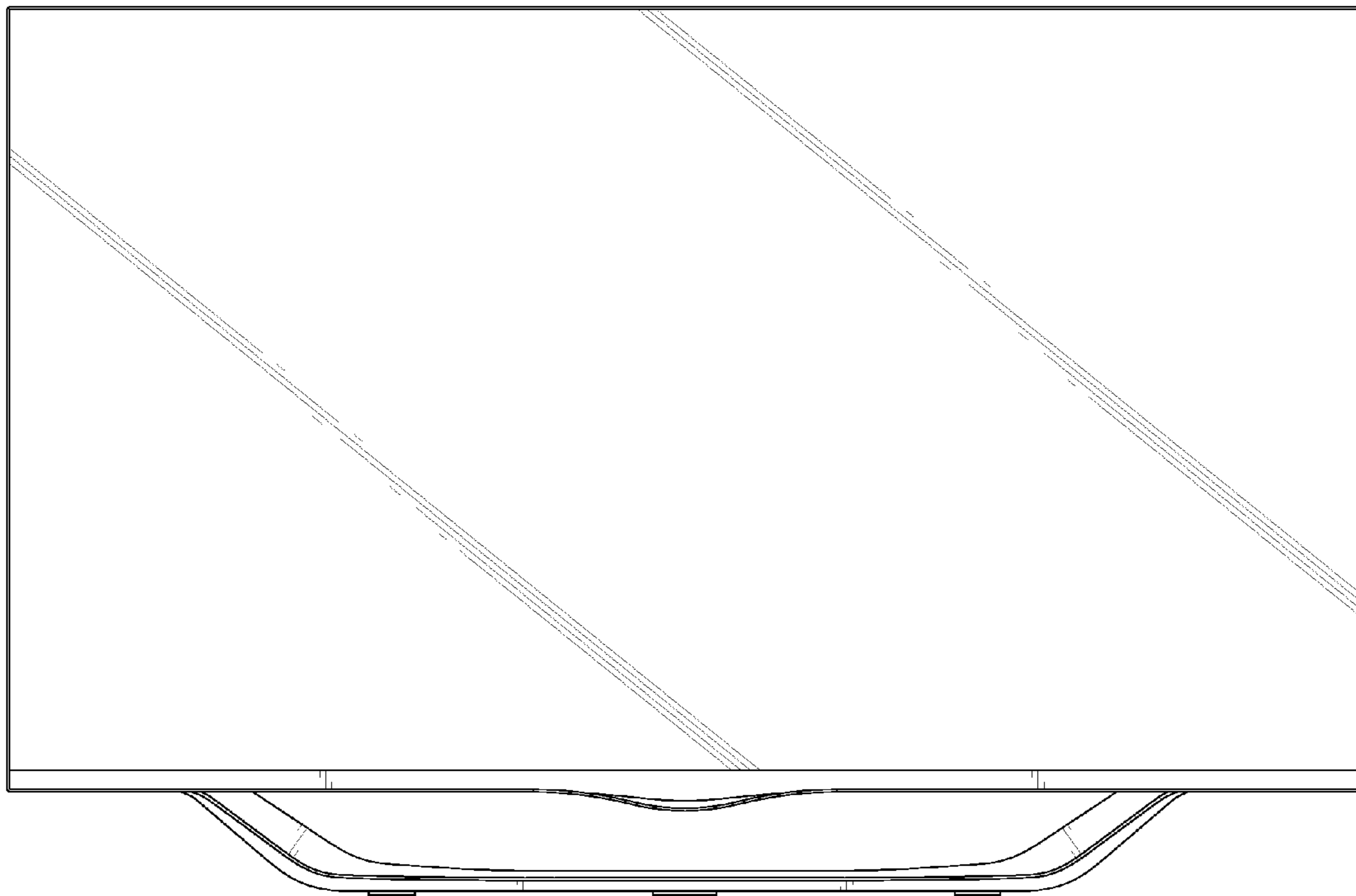


FIG. 3

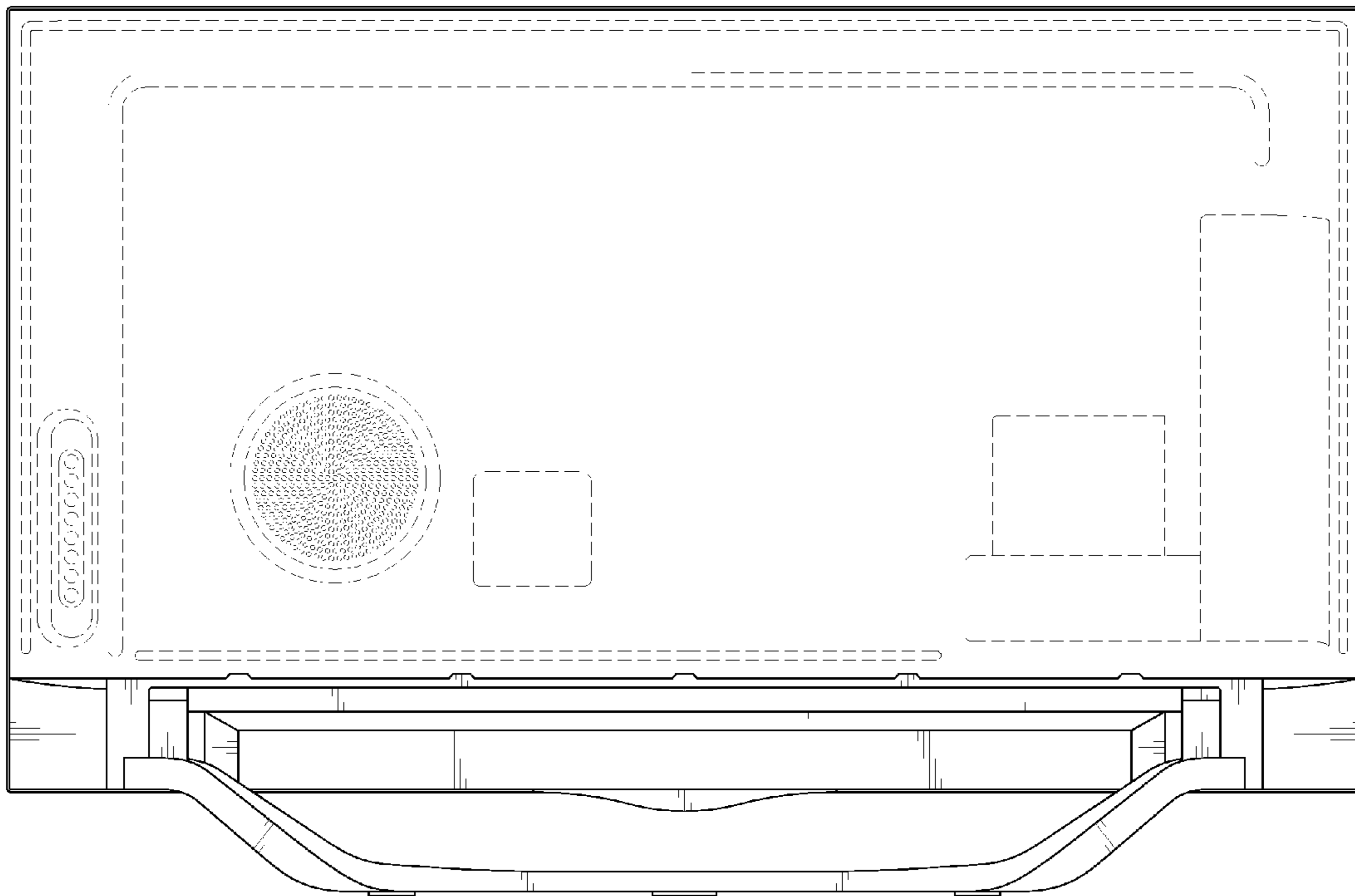


FIG. 4

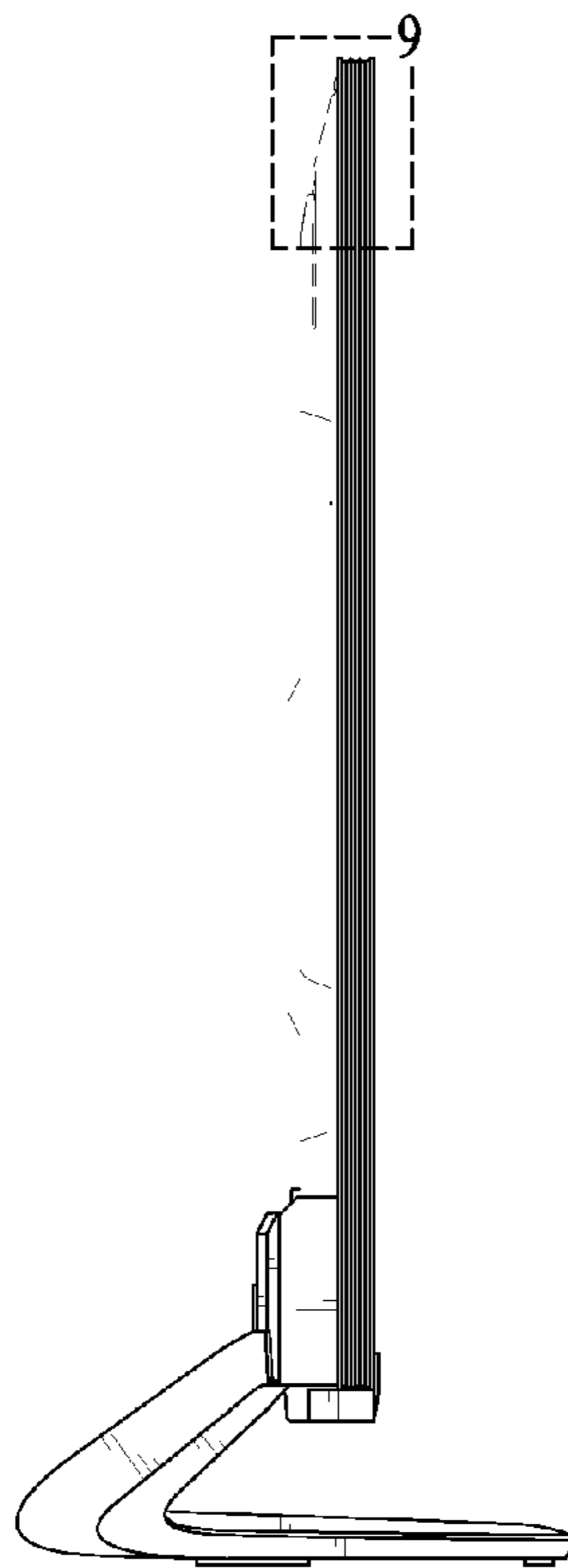


FIG. 5

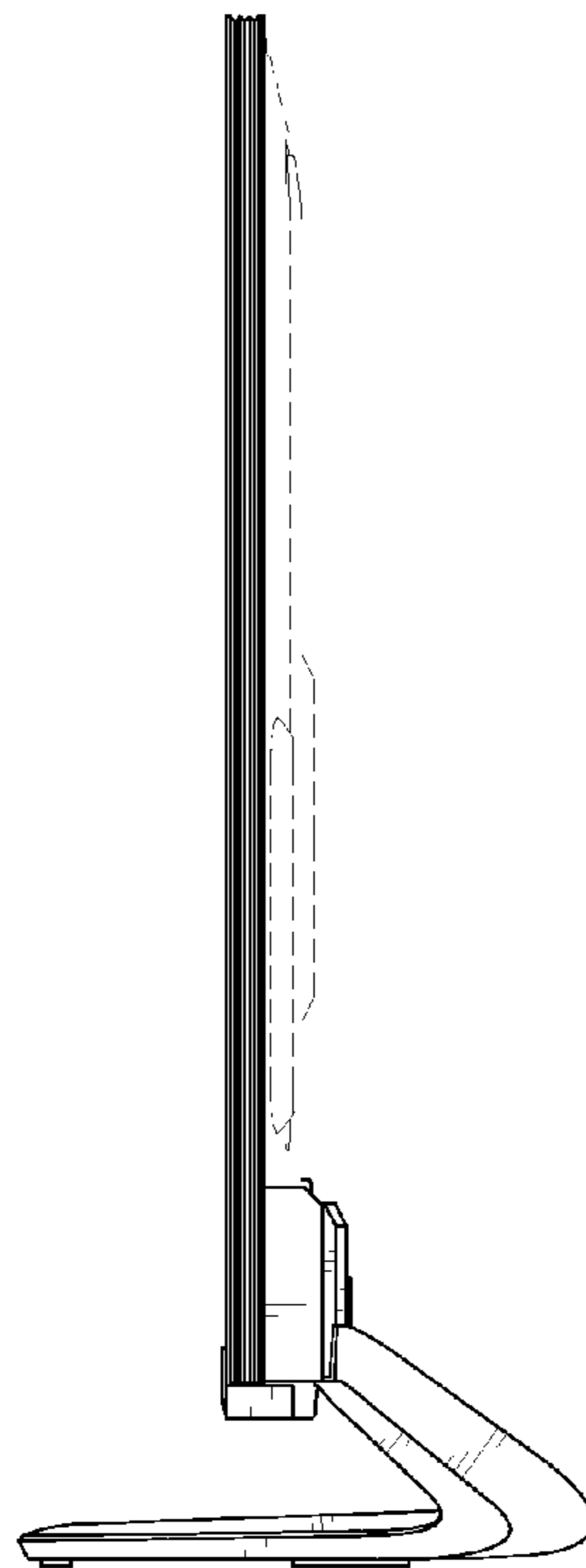


FIG. 6

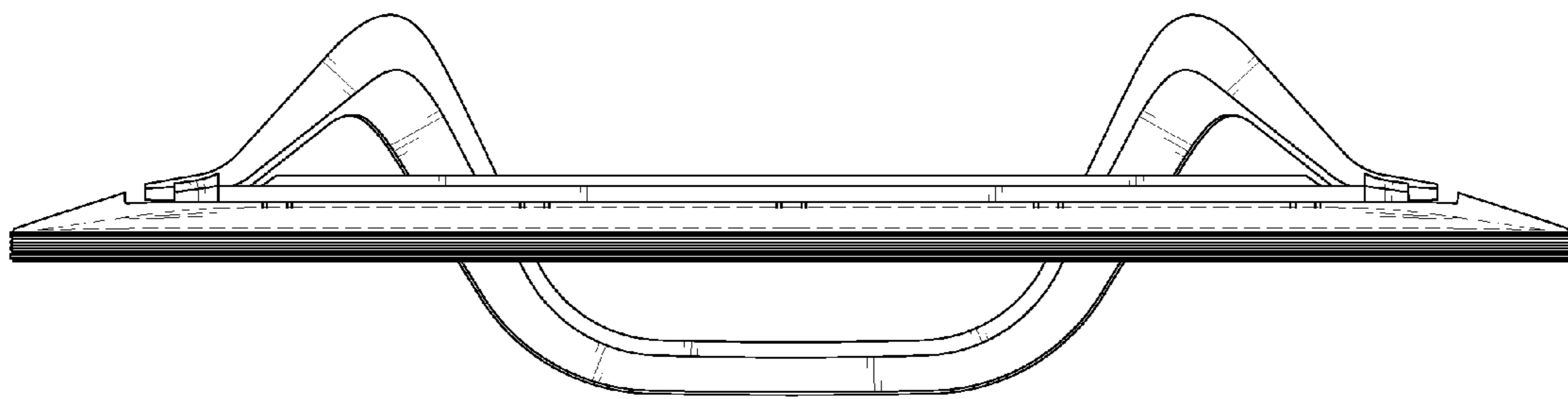


FIG. 7

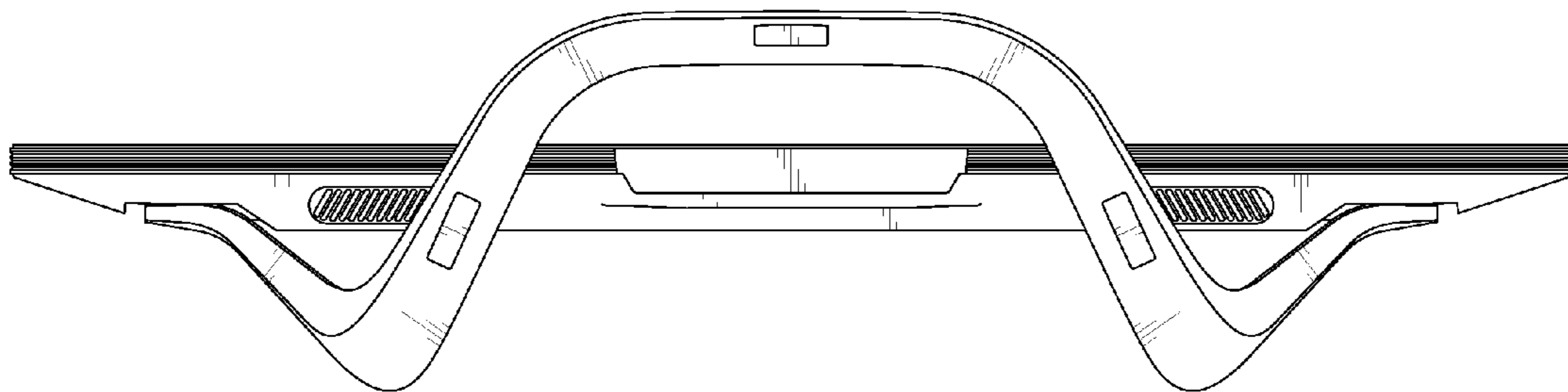


FIG. 8

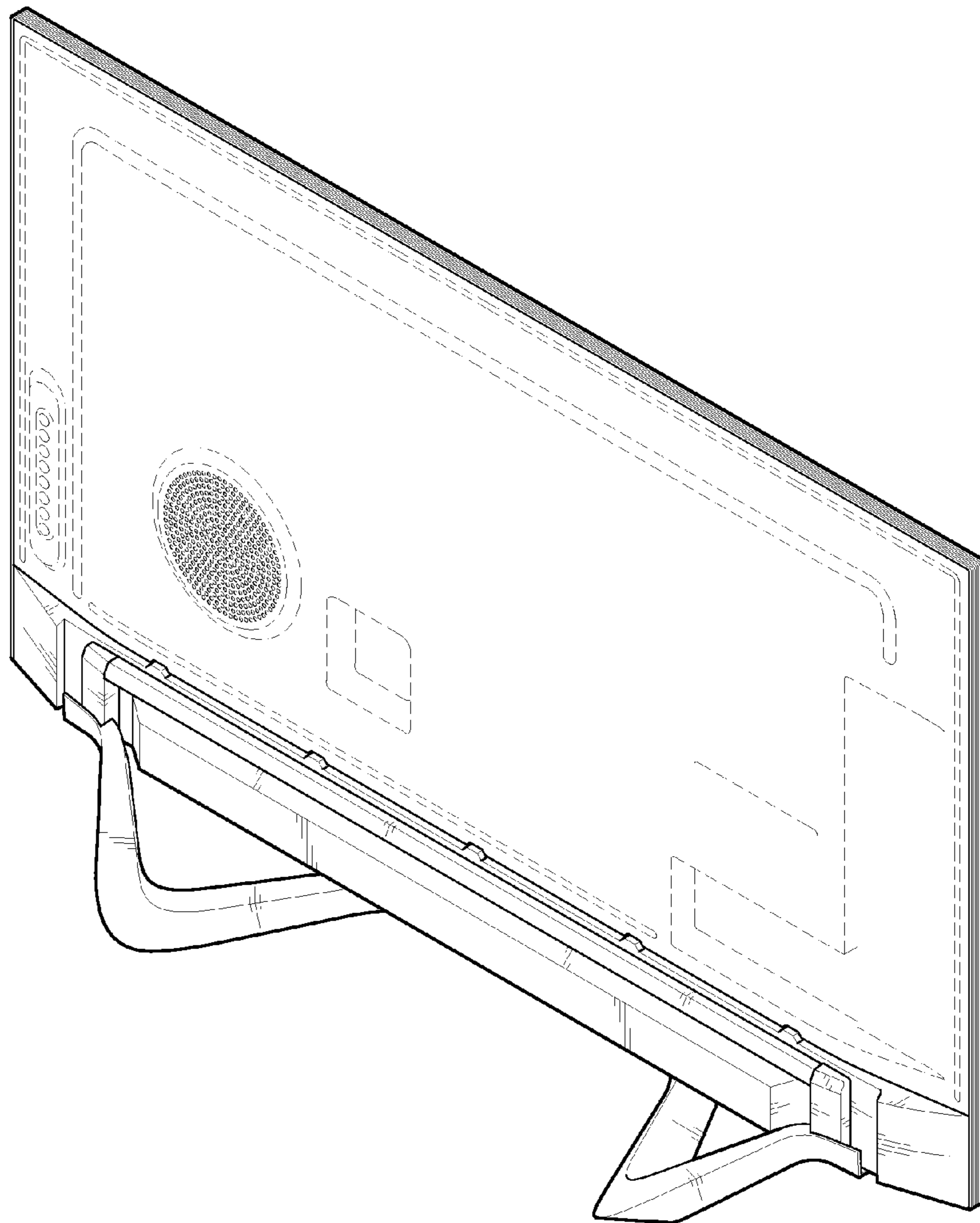




FIG. 9

