



US00D705180S

(12) **United States Design Patent**
Arioka et al.

(10) **Patent No.:** **US D705,180 S**

(45) **Date of Patent:** **** May 20, 2014**

(54) **CONDUCTOR TERMINAL FOR VACUUM
CIRCUIT BREAKER**

(56) **References Cited**

U.S. PATENT DOCUMENTS

(71) Applicant: **Mitsubishi Electric Corporation,**
Tokyo (JP)

(72) Inventors: **Masahiro Arioka,** Chiyoda-Ku (JP);
Tomotaka Yano, Chiyoda-Ku (JP);
Kyoichi Otsuka, Chiyoda-Ku (JP);
Satoru Yoshida, Chiyoda-Ku (JP);
Taehyun Kim, Chiyoda-Ku (JP); **Koji**
Sano, Chiyoda-Ku (JP); **Yuta**
Nakayama, Chiyoda-Ku (JP)

1,650,295	A *	11/1927	Patten	439/868
2,276,140	A *	3/1942	Andren et al.	439/877
2,373,843	A *	4/1945	Nicholas	174/73.1
4,099,021	A *	7/1978	Venezia	174/73.1
5,821,459	A *	10/1998	Cheenne-Astorino	174/73.1
			et al.	174/73.1
6,080,024	A *	6/2000	Miller et al.	439/812
2008/0257865	A1 *	10/2008	Yoshitomo et al.	218/68
2009/0071684	A1 *	3/2009	Zhang	174/73.1
2011/0028034	A1 *	2/2011	Morikawa	439/578

* cited by examiner

(73) Assignee: **Mitsubishi Electric Corporation,**
Tokyo (JP)

Primary Examiner — Selina Sikder

(74) *Attorney, Agent, or Firm* — Sughrue Mion, PLLC

(**) Term: **14 Years**

(57) **CLAIM**

The ornamental design for a conductor terminal for vacuum circuit breaker, as shown and described.

(21) Appl. No.: **29/432,743**

DESCRIPTION

(22) Filed: **Sep. 20, 2012**

(30) **Foreign Application Priority Data**

Mar. 23, 2012 (JP) 2012-006596

(51) **LOC (10) Cl.** **13-03**

(52) **U.S. Cl.**
USPC **D13/178**

(58) **Field of Classification Search**
USPC D13/120, 133, 158, 160, 173, 178;
D8/16, 21; 29/874; 174/68.3, 72 C,
174/73.1; 218/120, 143; 200/284; 439/578,
439/585, 865, 877

See application file for complete search history.

FIG. 1 is a bottom, right side and front perspective view of a conductor terminal for vacuum circuit breaker, showing our new design;

FIG. 2 is a front elevational view thereof;

FIG. 3 is a left side elevational view thereof;

FIG. 4 is a right side elevational view thereof;

FIG. 5 is a top plan view thereof;

FIG. 6 is a bottom plan view thereof;

FIG. 7 is an enlarged cross-sectional view thereof; taken along line 7-7 of FIG. 2; and,

FIG. 8 is a cross-sectional view thereof; taken along line 8-8 of FIG. 3.

1 Claim, 4 Drawing Sheets

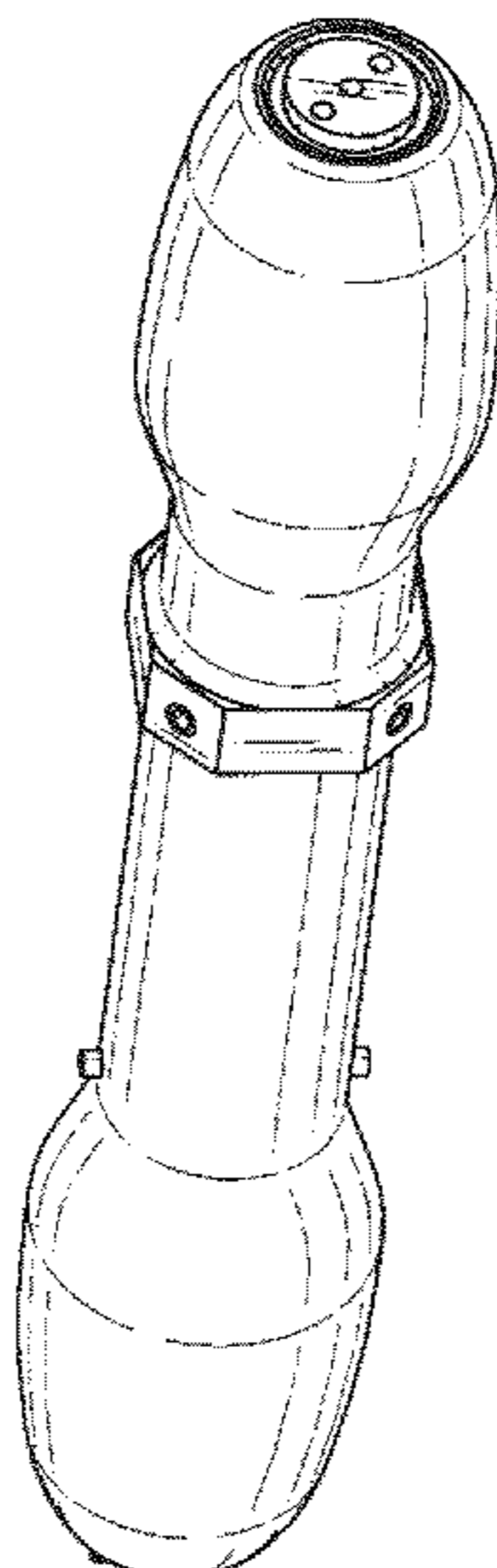


Fig. 1

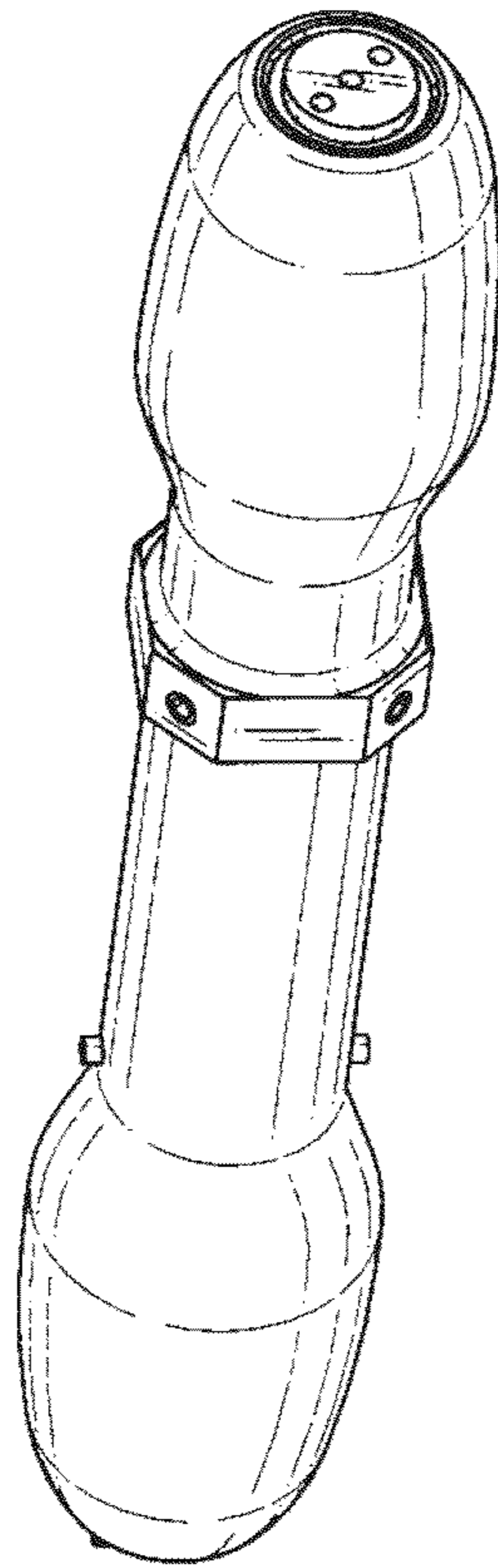


Fig. 2

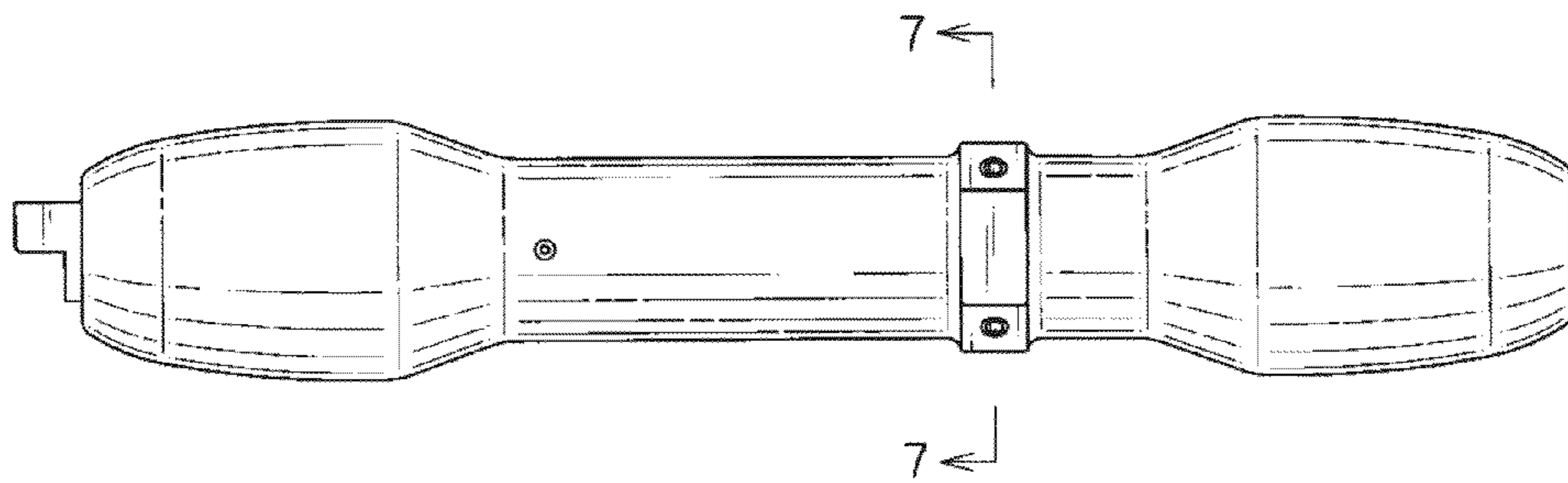


Fig. 3

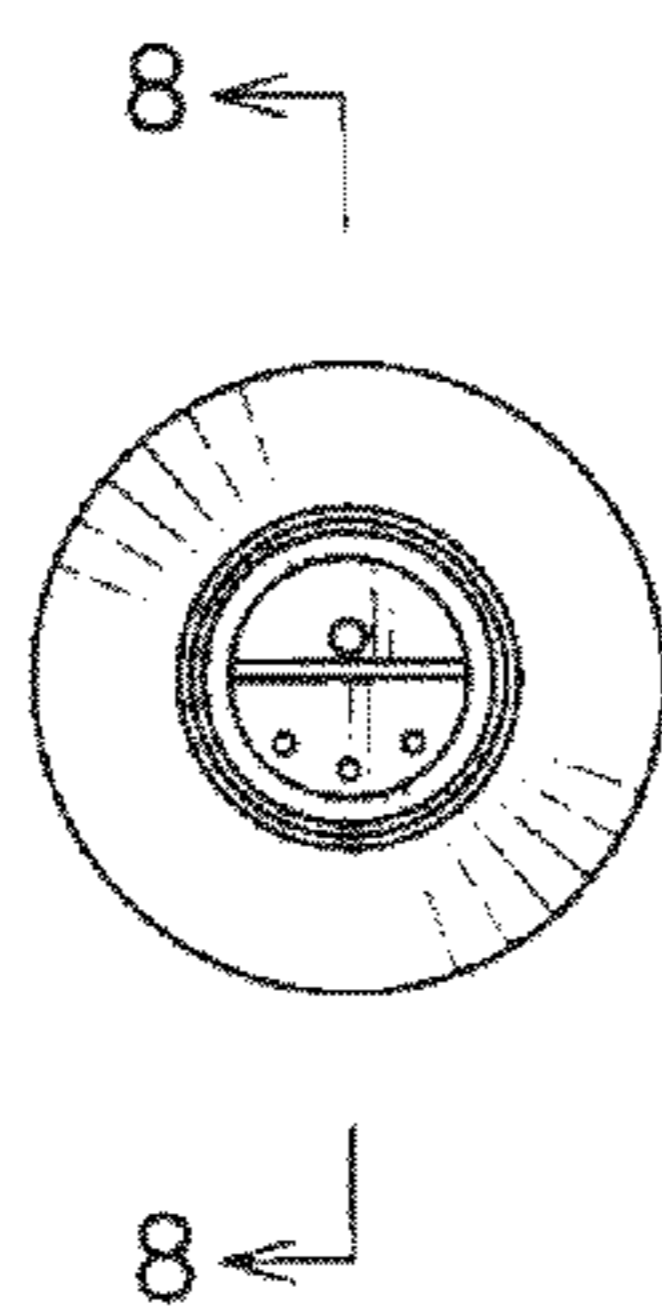


Fig. 4

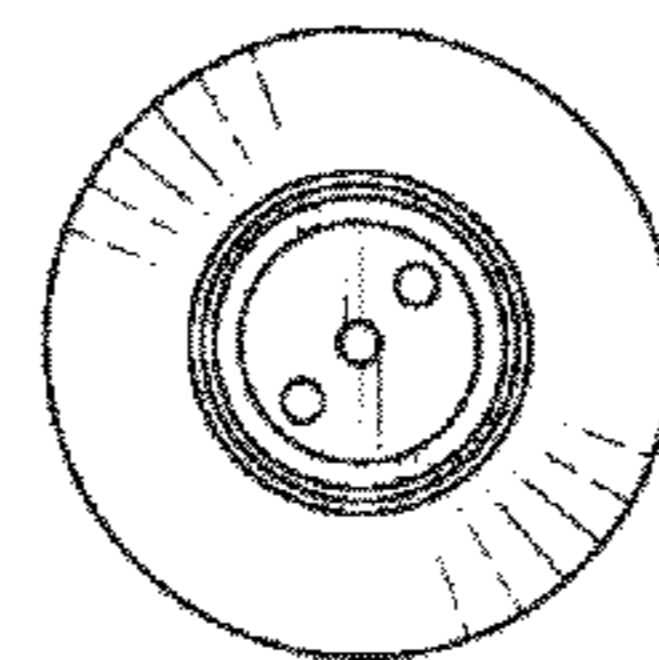


Fig. 5

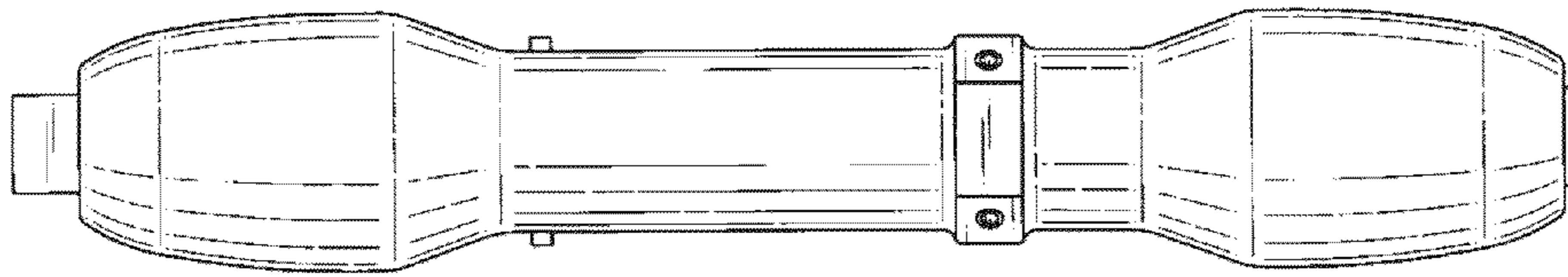


Fig. 6

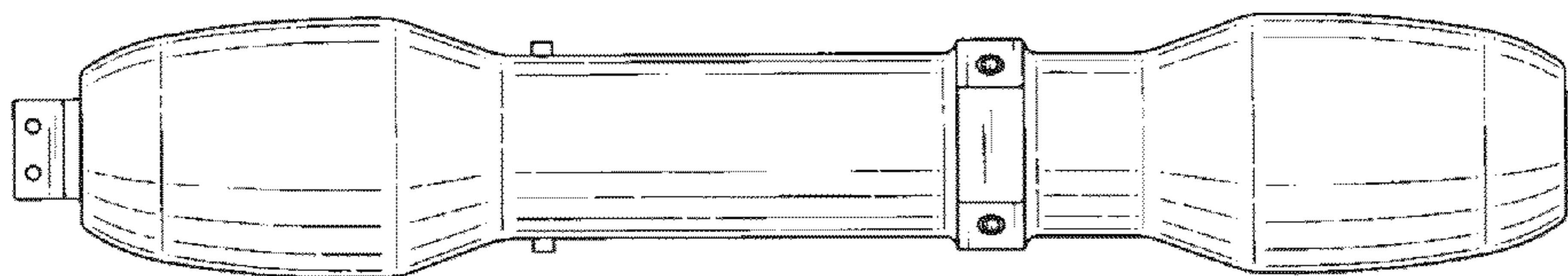


Fig. 7

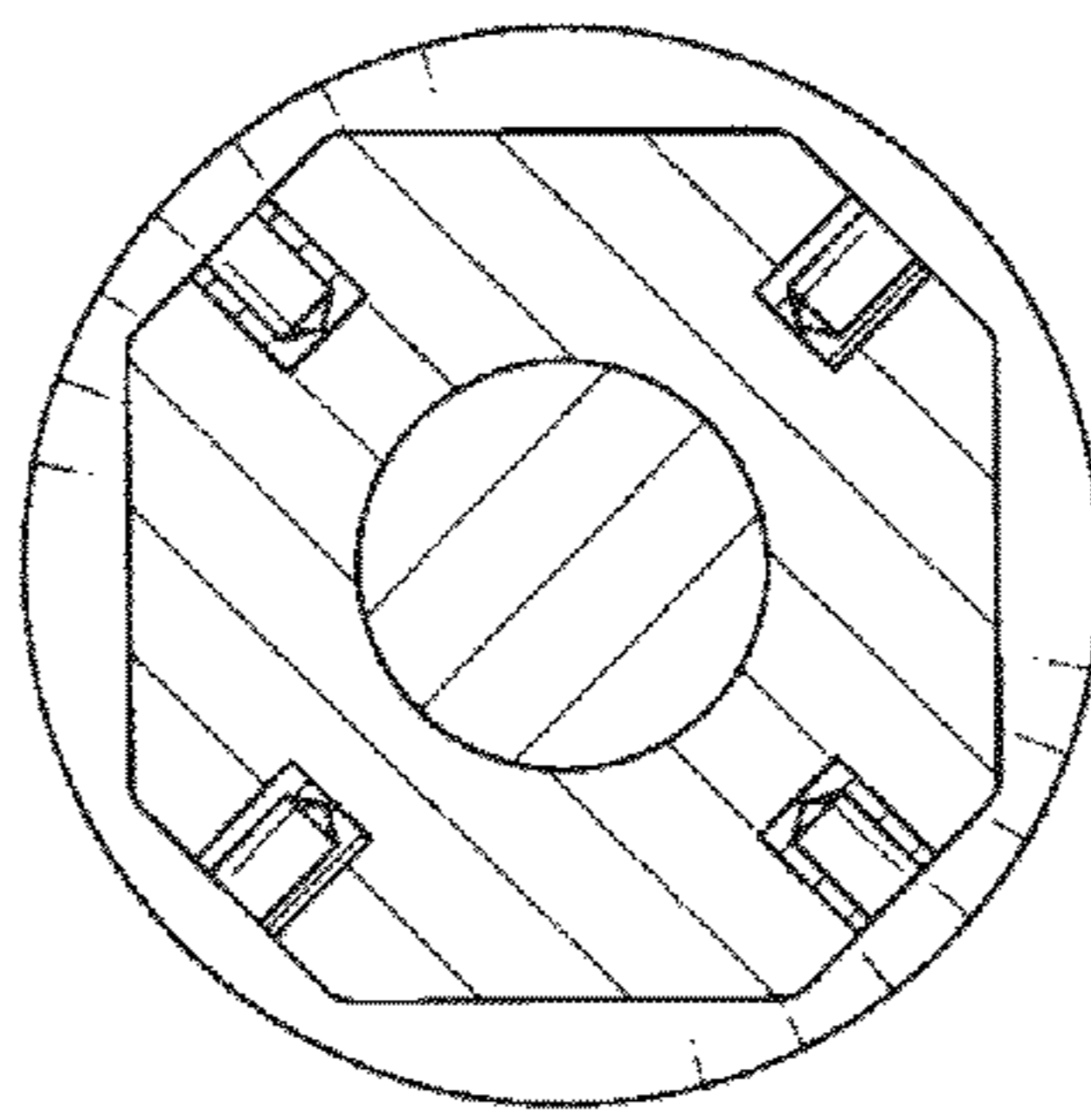


Fig. 8

