



US00D705178S

(12) **United States Design Patent**  
**Olsson et al.**

(10) **Patent No.:** **US D705,178 S**

(45) **Date of Patent:** **\*\* May 20, 2014**

(54) **DEVICE CONNECTION CABLE**

(75) Inventors: **Maj Isabelle Olsson**, San Francisco, CA (US); **Matthew Wyatt Martin**, Ross, CA (US)

(73) Assignee: **Google Inc.**, Mountain View, CA (US)

(\*\*) Term: **14 Years**

(21) Appl. No.: **29/416,448**

(22) Filed: **Mar. 22, 2012**

(30) **Foreign Application Priority Data**

Sep. 23, 2011 (WO) ..... DM/077 317

(51) **LOC (10) Cl.** ..... **13-03**

(52) **U.S. Cl.**  
USPC ..... **D13/153**

(58) **Field of Classification Search**  
USPC ..... D13/152, 164, 184, 137.1, 139.1, 153,  
D13/137.2, 133, 137.4, 139.7, 130, 128,  
D13/132, 138.2, 139.3, 139.4, 139.8, 139.6,  
D13/123, 160, 107; D14/205, 228;  
D7/300.2

See application file for complete search history.

(56) **References Cited**

**U.S. PATENT DOCUMENTS**

D520,457 S \* 5/2006 Wada et al. .... D13/156  
D600,652 S \* 9/2009 Hong et al. .... D13/154  
D621,362 S \* 8/2010 Huang et al. .... D13/147  
D622,221 S \* 8/2010 Lin ..... D13/147  
D636,337 S \* 4/2011 Smith et al. .... D13/147  
D680,077 S \* 4/2013 Richards et al. .... D13/147

\* cited by examiner

*Primary Examiner* — Robert M Spear

*Assistant Examiner* — Rhea Shields

(74) *Attorney, Agent, or Firm* — Lerner, David, Littenberg, Krumholz & Mentlik, LLP

(57) **CLAIM**

The ornamental design for a device connection cable, as shown and described.

**DESCRIPTION**

FIG. 1 is a front perspective view of a device connection cable according to a first embodiment of our design;

FIG. 2 is a front elevation view of the device connection cable of FIG. 1;

FIG. 3 is a back elevation view of the device connection cable of FIG. 1;

FIG. 4 is a right elevation view of the device connection cable of FIG. 1;

FIG. 5 is a left elevation view of the device connection cable of FIG. 1;

FIG. 6 is a top elevation view of the device connection cable of FIG. 1;

FIG. 7 is a bottom elevation view of the device connection cable of FIG. 1;

FIG. 8 is a front perspective view of a device connection cable according to a second embodiment of our design;

FIG. 9 is a front elevation view of the device connection cable of FIG. 8;

FIG. 10 is a back elevation view of the device connection cable of FIG. 8;

FIG. 11 is a right elevation view of the device connection cable of FIG. 8;

FIG. 12 is a left elevation view of the device connection cable of FIG. 8;

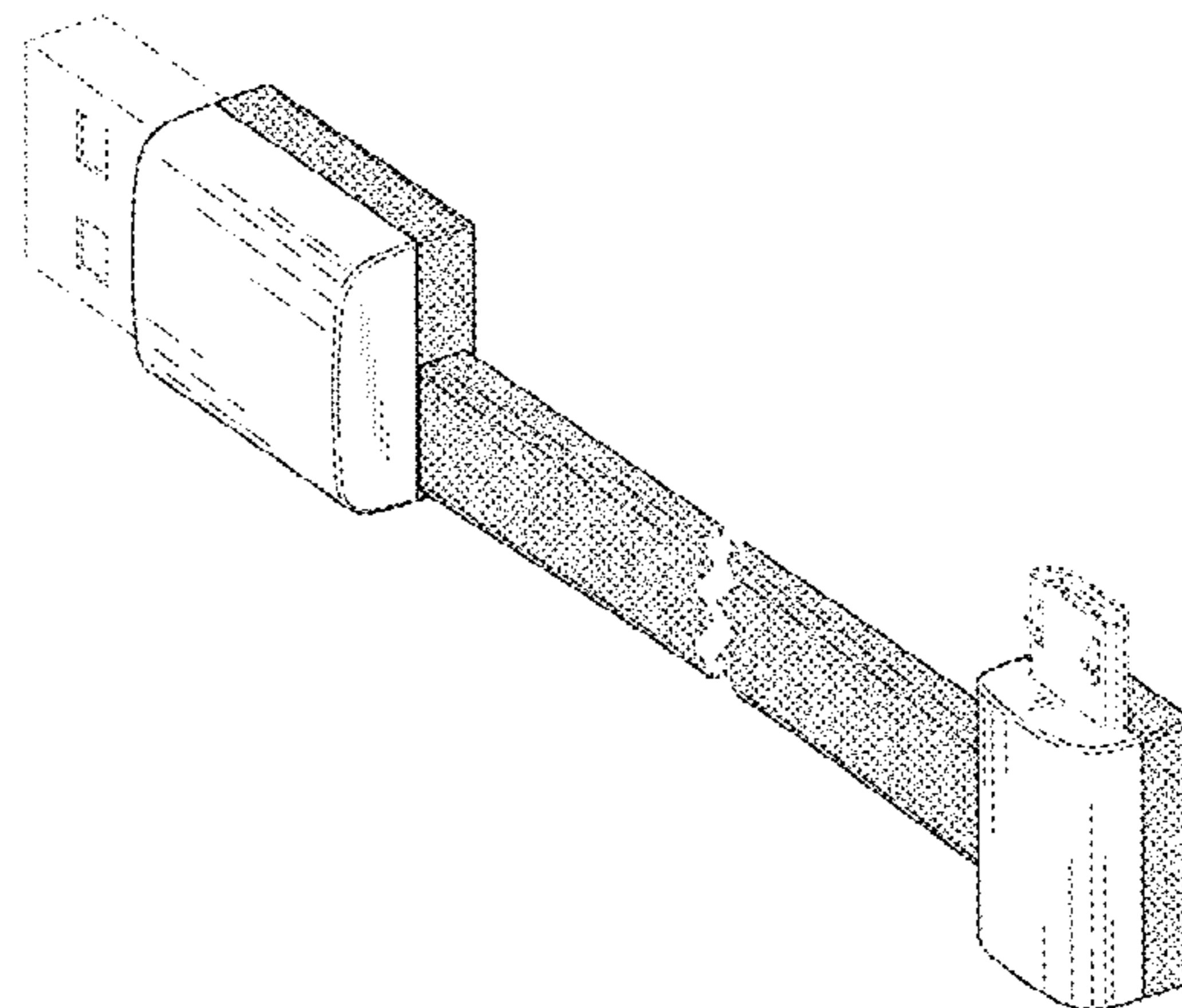
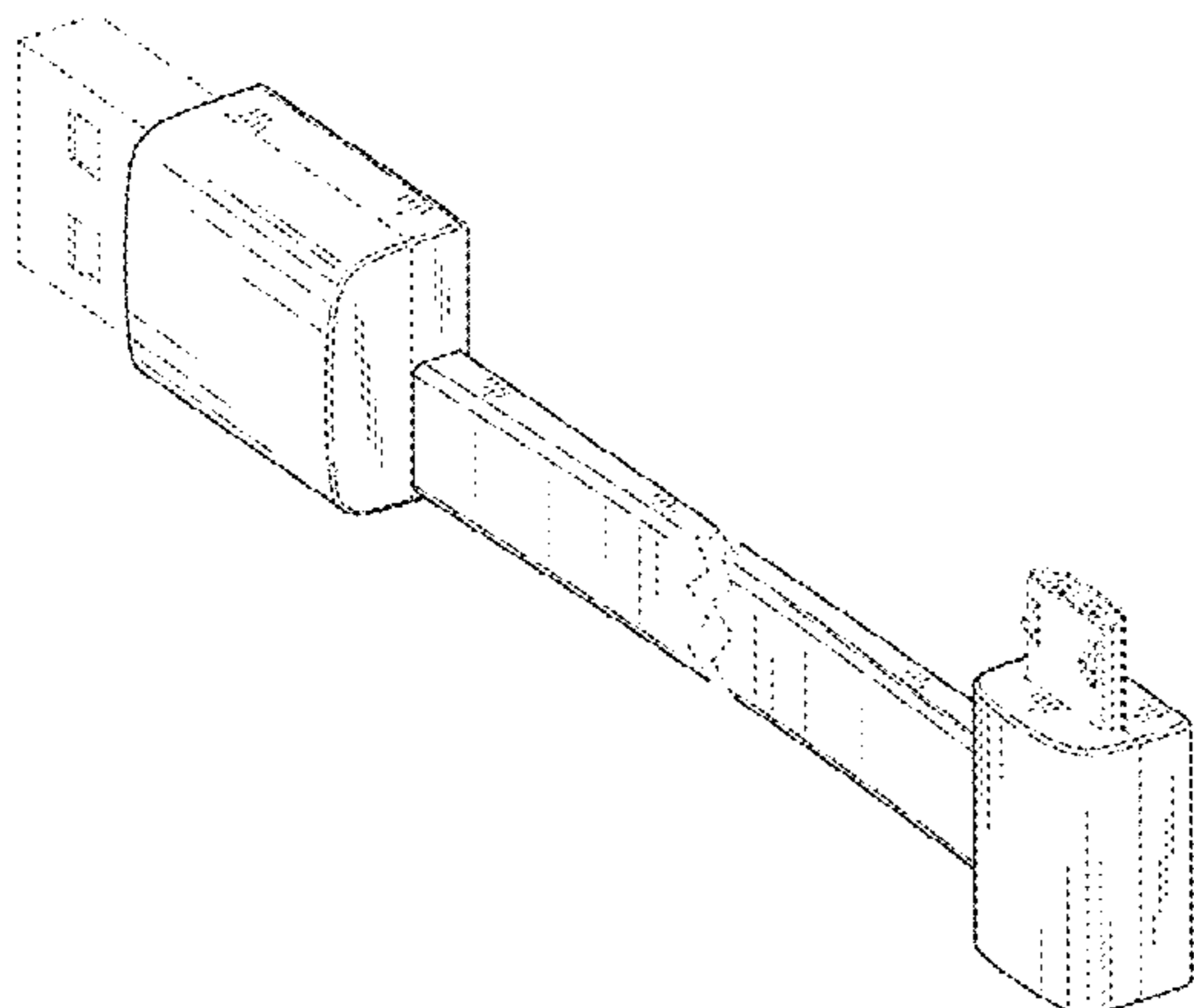
FIG. 13 is a top elevation view of the device connection cable of FIG. 8; and,

FIG. 14 is a bottom elevation view of the device connection cable of FIG. 8.

The device connection cable is shown with a symbolic break in its length. The appearance of any portion of the article between the break lines forms no part of the claimed design. The broken lines in the drawings represent unclaimed environment and form no part of the claimed design.

The stippling shown in FIGS. 8-14 indicates a contrast in appearance.

**1 Claim, 6 Drawing Sheets**



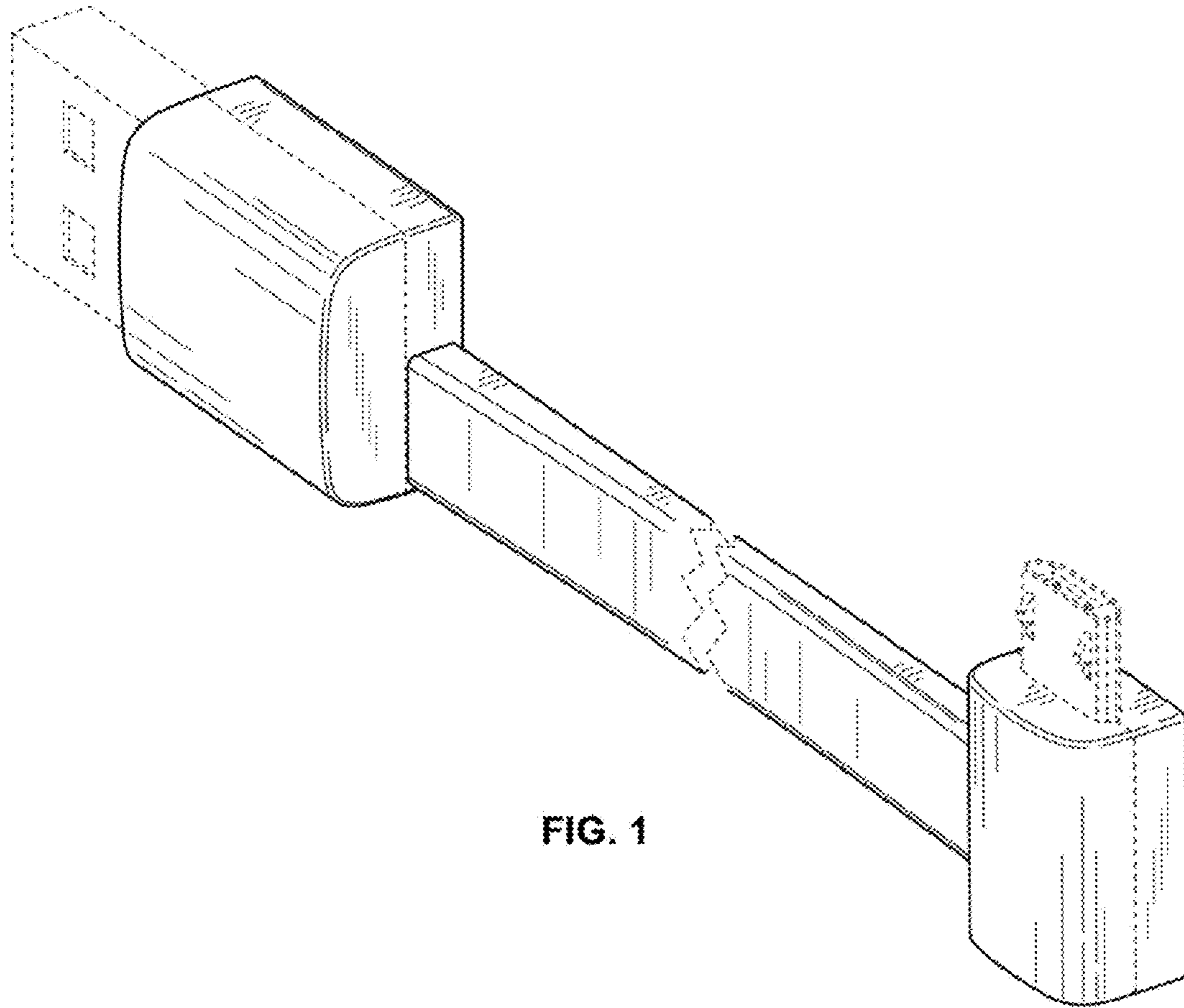


FIG. 1

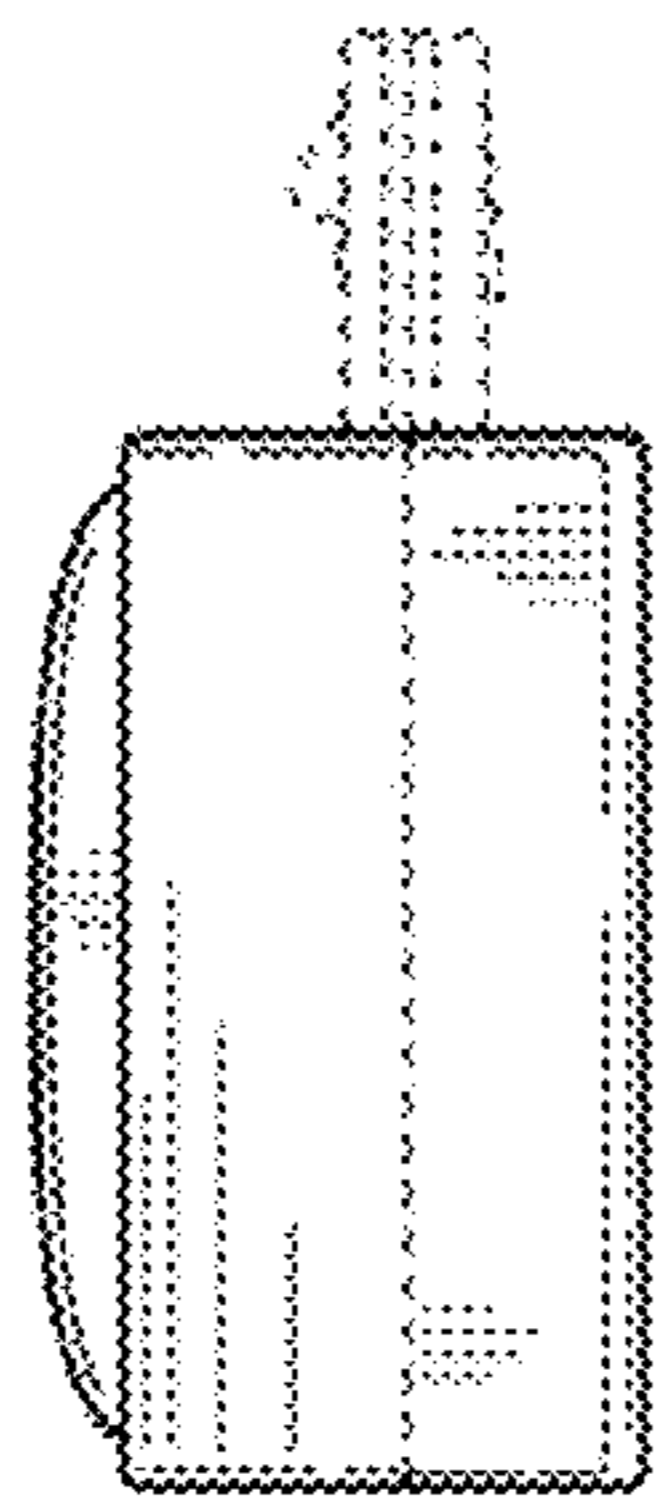


FIG. 2

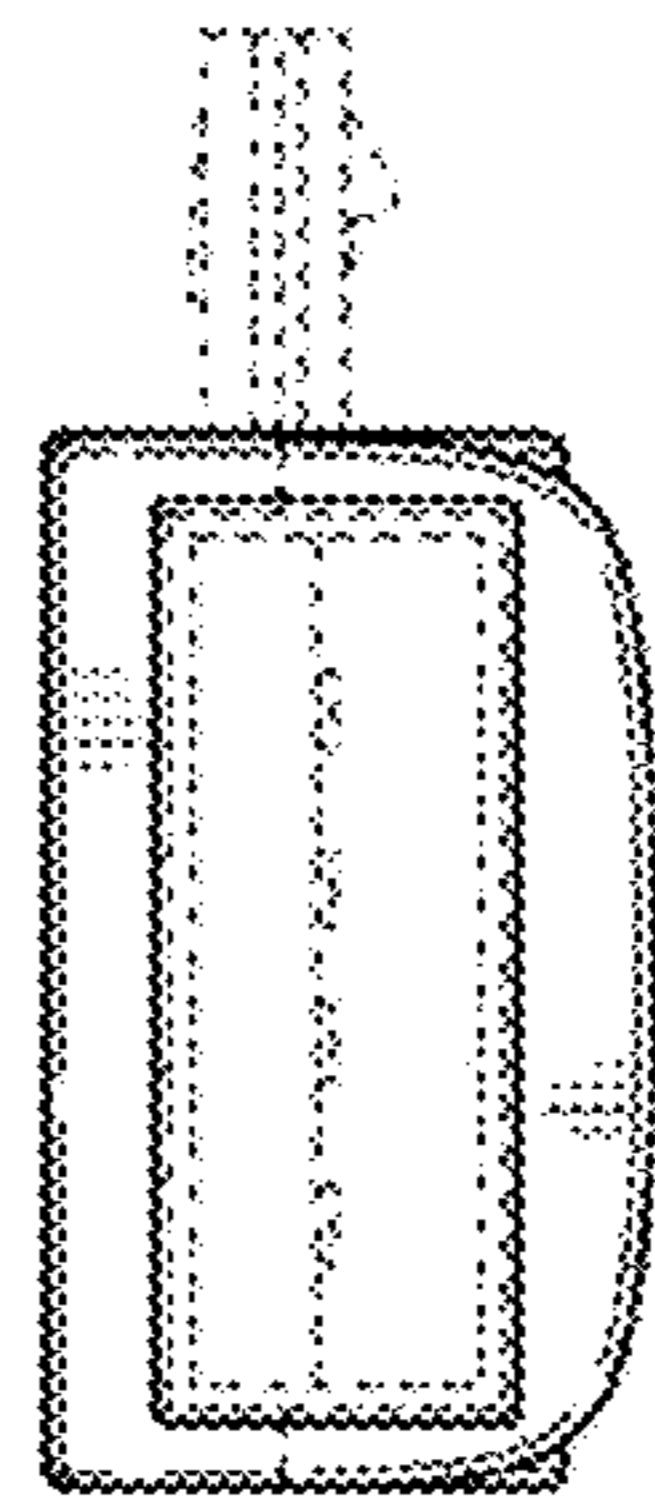


FIG. 3

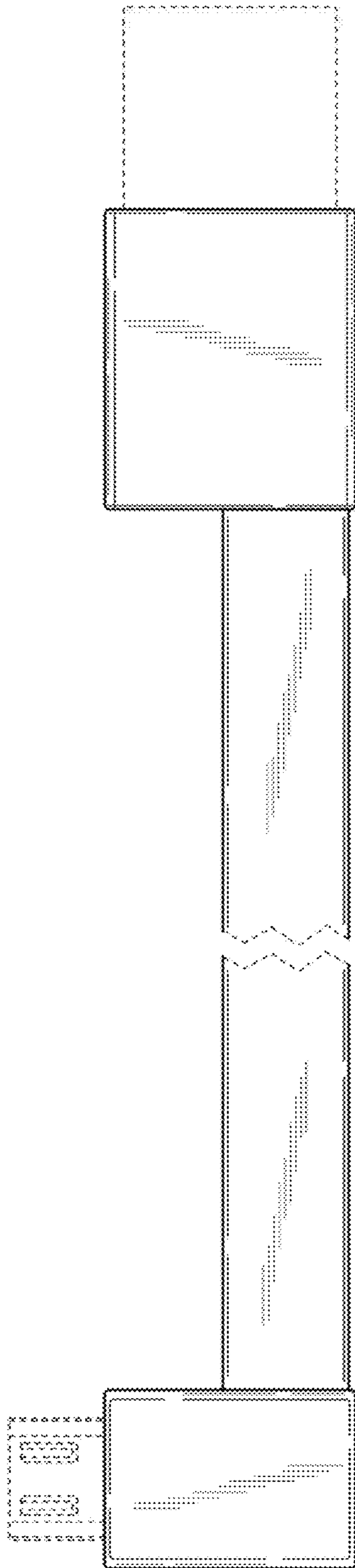


FIG. 4

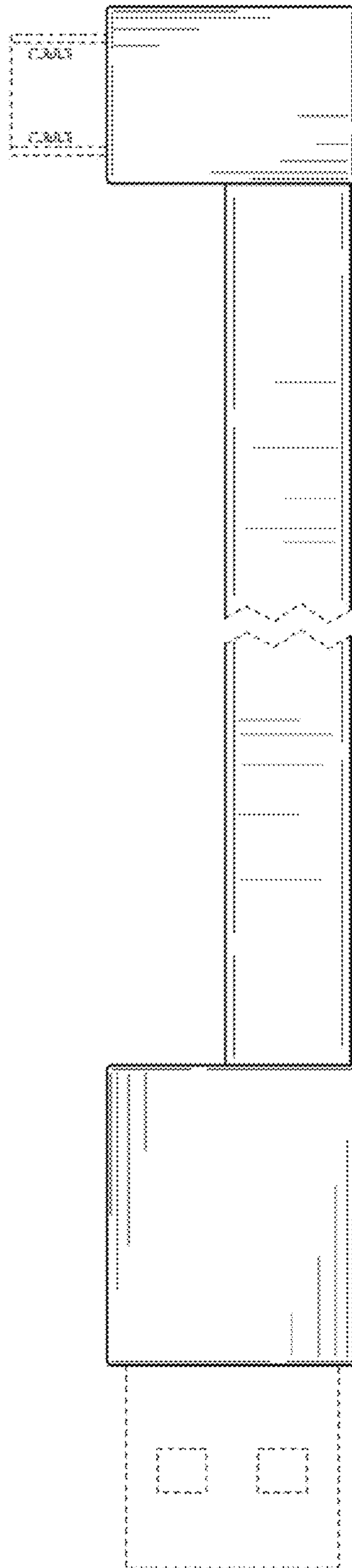


FIG. 5

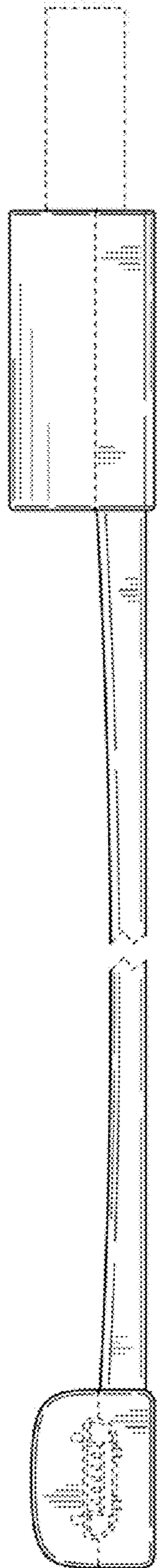


FIG. 6

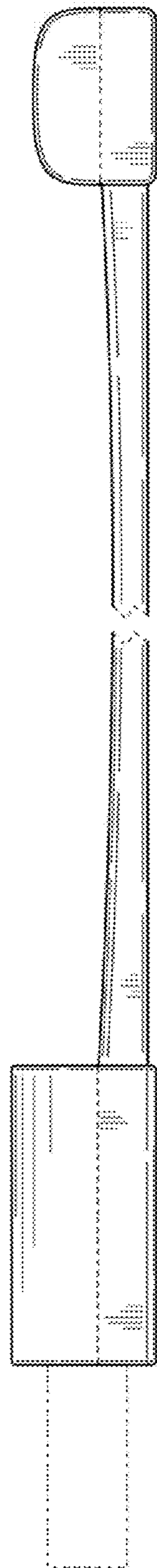


FIG. 7

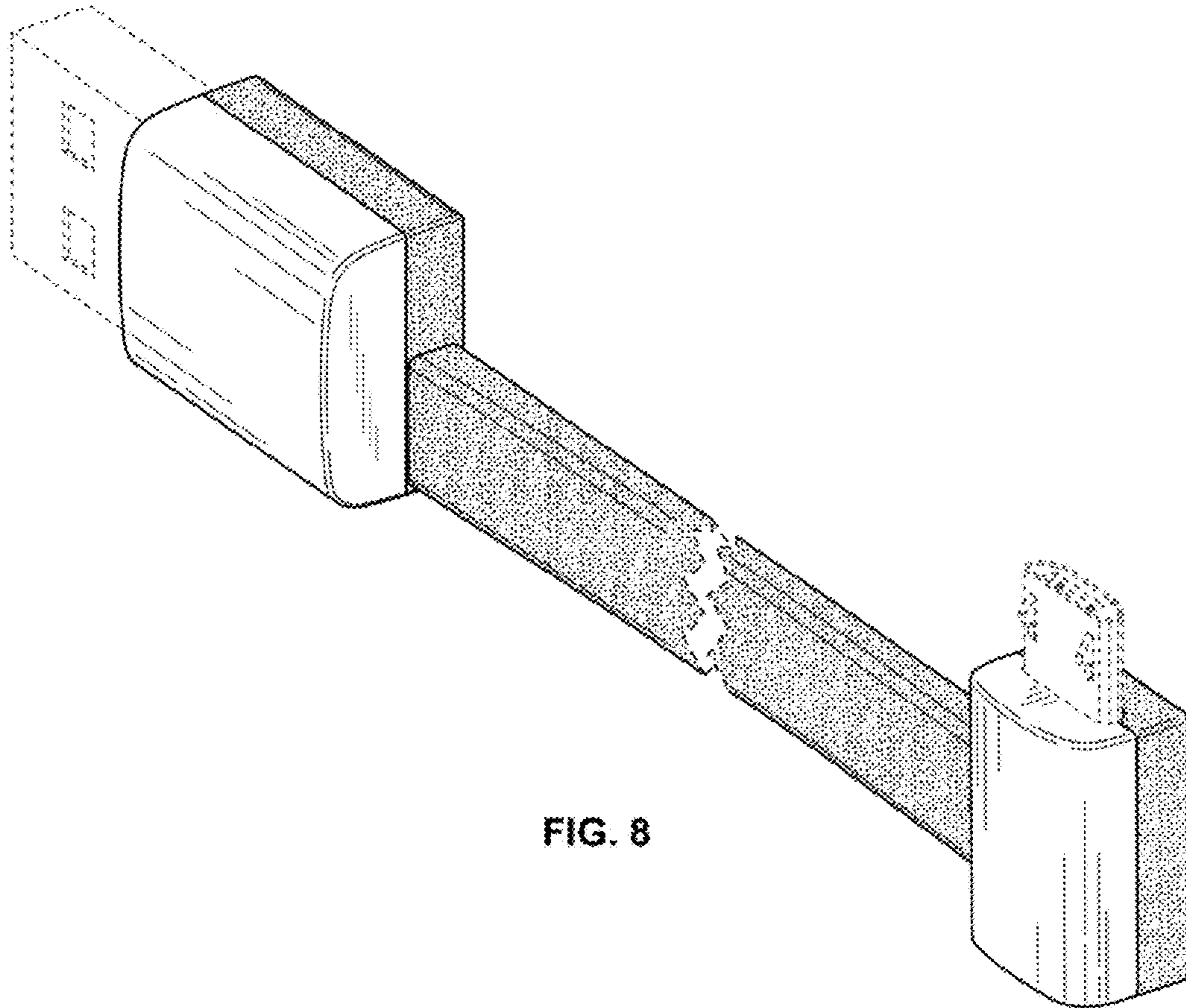


FIG. 8

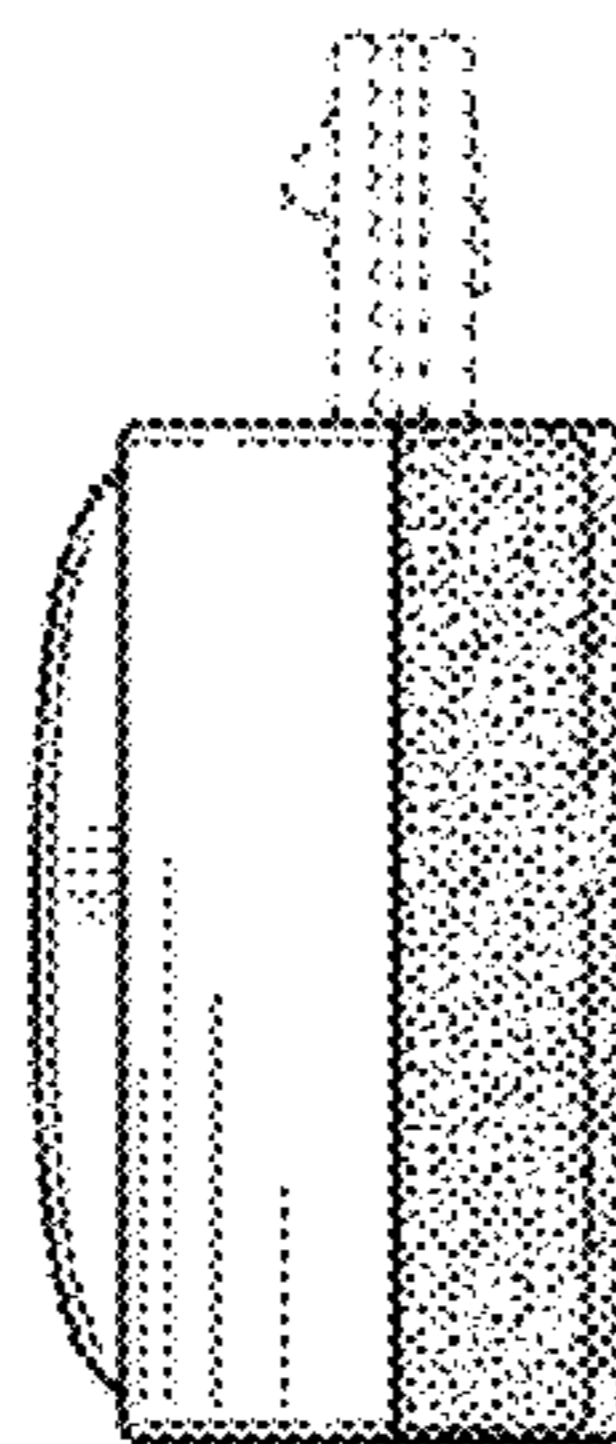


FIG. 9

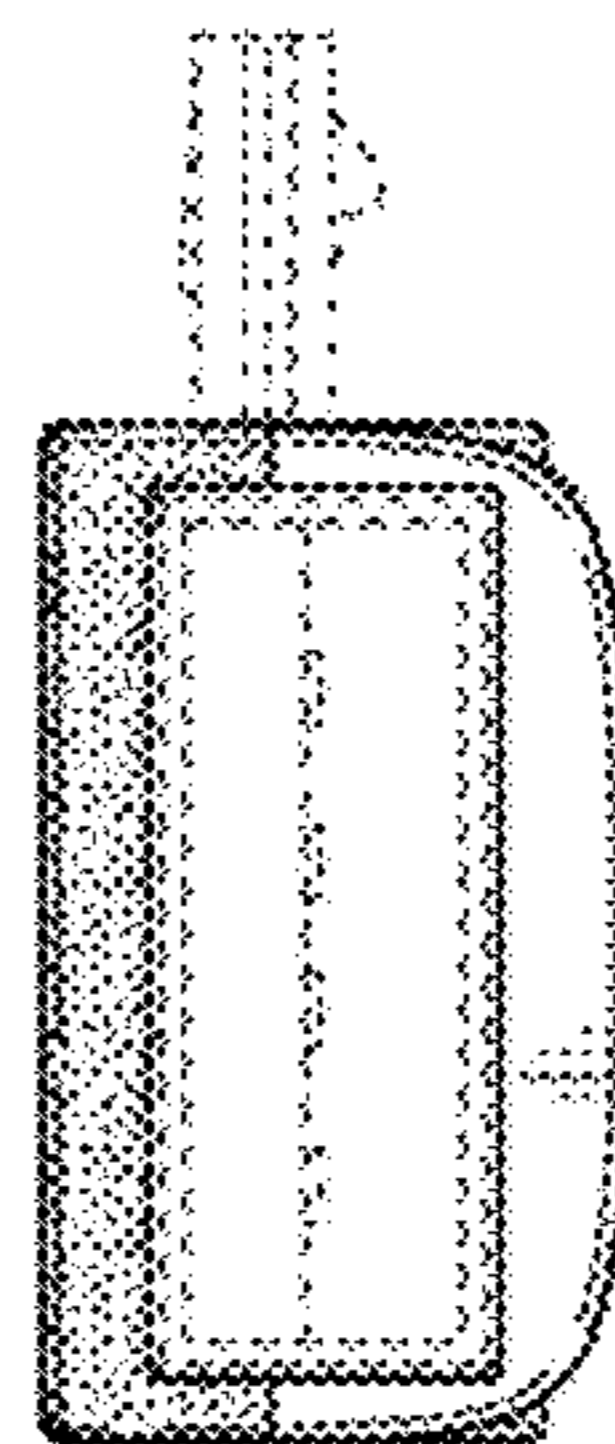


FIG. 10

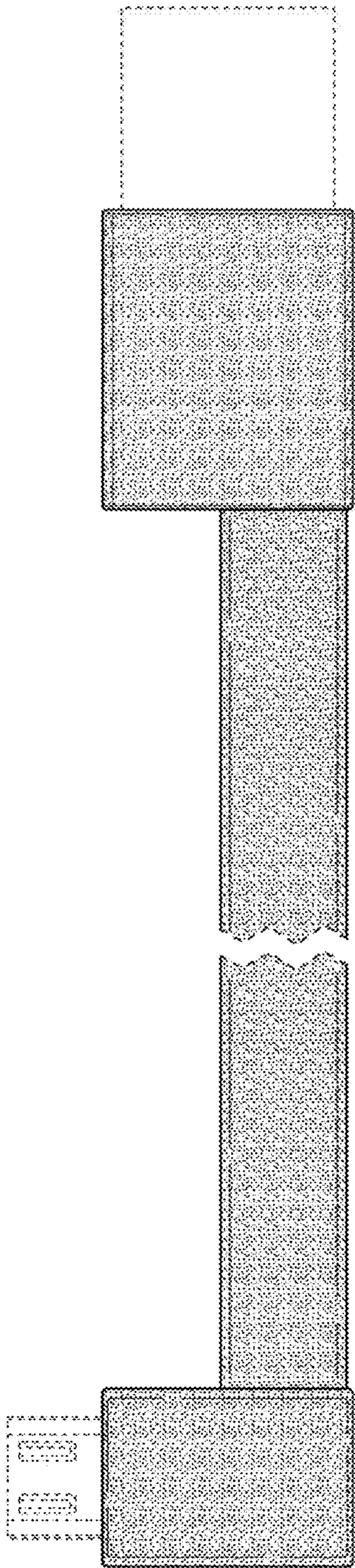


FIG. 11

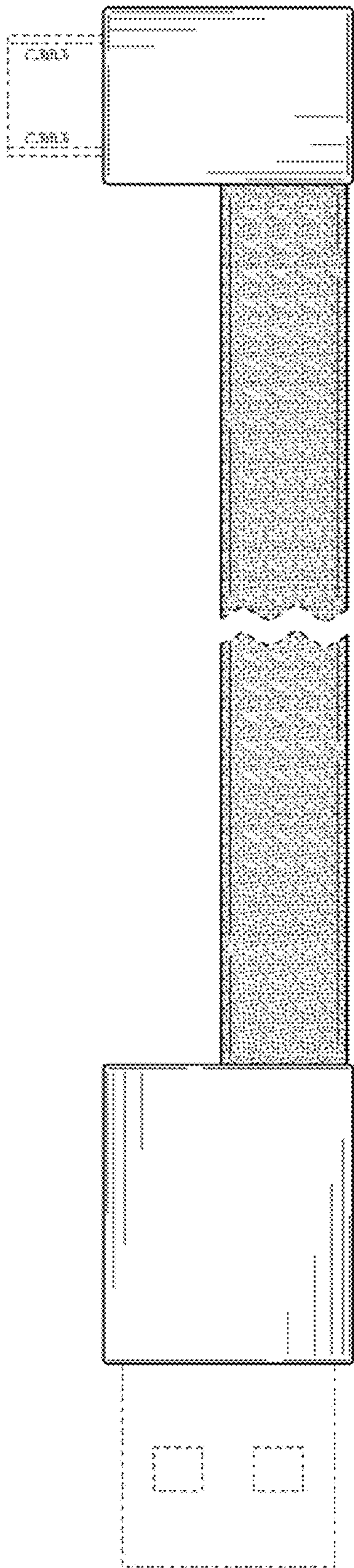


FIG. 12

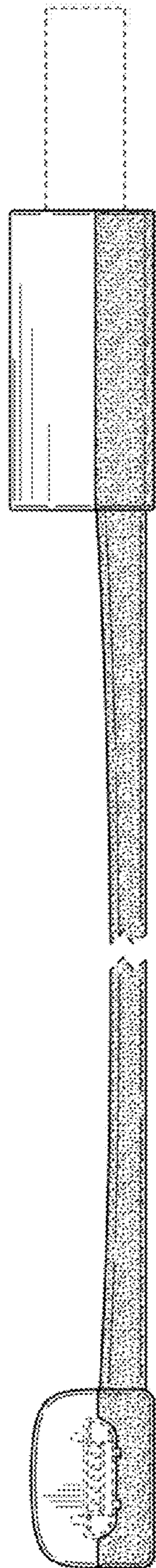


FIG. 13

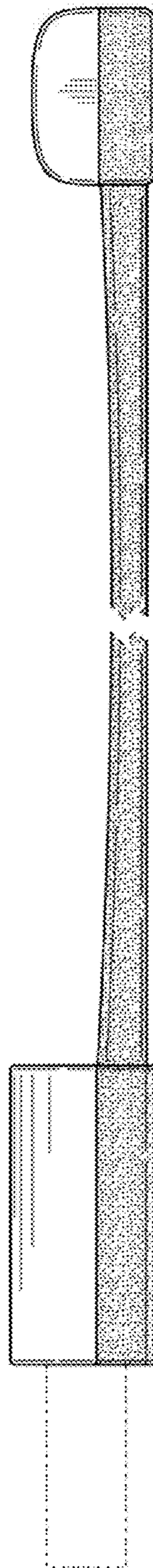


FIG. 14