



US00D705176S

(12) **United States Design Patent**
Akana et al.

(10) **Patent No.:** **US D705,176 S**

(45) **Date of Patent:** **** May 20, 2014**

(54) **CONNECTOR**

(71) Applicant: **Apple Inc.**, Cupertino, CA (US)

(72) Inventors: **Jody Akana**, San Francisco, CA (US);
Bartley K. Andre, Palo Alto, CA (US);
Jeremy Bataillou, San Francisco, CA (US);
Daniel J. Coster, San Francisco, CA (US);
Daniele De Iuliis, San Francisco, CA (US);
M. Evans Hankey, San Francisco, CA (US);
Julian Hoenig, San Francisco, CA (US);
Richard P. Howarth, San Francisco, CA (US);
Jonathan P. Ive, San Francisco, CA (US);
Duncan Robert Kerr, San Francisco, CA (US);
Shin Nishibori, Kailua, HI (US);
Matthew Dean Rohrbach, San Francisco, CA (US);
Peter Russell-Clarke, San Francisco, CA (US);
Christopher J. Stringer, Woodside, CA (US);
Eugene Antony Whang, San Francisco, CA (US);
Rico Zörkendörfer, San Francisco, CA (US)

(73) Assignee: **Apple Inc.**, Cupertino, CA (US)

(**) Term: **14 Years**

(21) Appl. No.: **29/455,174**

(22) Filed: **May 17, 2013**

Related U.S. Application Data

(63) Continuation of application No. 29/426,587, filed on Jul. 6, 2012, now Pat. No. Des. 684,539.

(51) **LOC (10) Cl.** **13-03**

(52) **U.S. Cl.**
USPC **D13/147**

(58) **Field of Classification Search**
USPC D13/133, 146, 147, 153, 154, 156, 157, D13/184, 199; D14/432, 433, 435, 435.1, D14/438; 345/156; 361/58, 814; 439/38-40, 439/66, 74, 77, 79, 129-130, 135, 146, 439/149-150, 176-177, 180, 188, 217-218, 439/225, 246, 252, 278-279, 290-291, 329,

439/344-346, 350-353, 357-358, 374, 378, 439/381, 476.1, 607.01, 607.04, 607.5, 439/607.6, 607.17, 607.21, 607.23, 607.25, 439/607.34, 607.41, 607.53, 623, 660, 668, 439/677, 678, 680, 682, 874, 883, 887, 892, 439/894

See application file for complete search history.

(56) **References Cited**

U.S. PATENT DOCUMENTS

D304,028 S 10/1989 Matsuzaki
(Continued)

FOREIGN PATENT DOCUMENTS

WO WO 2006/074348 A1 7/2006
(Continued)

OTHER PUBLICATIONS

U.S. Appl. No. 29/424,270, filed Jun. 10, 2012 (Not Published).
(Continued)

Primary Examiner — Daniel Bui

(74) *Attorney, Agent, or Firm* — Sterne, Kessler, Goldstein & Fox PLLC

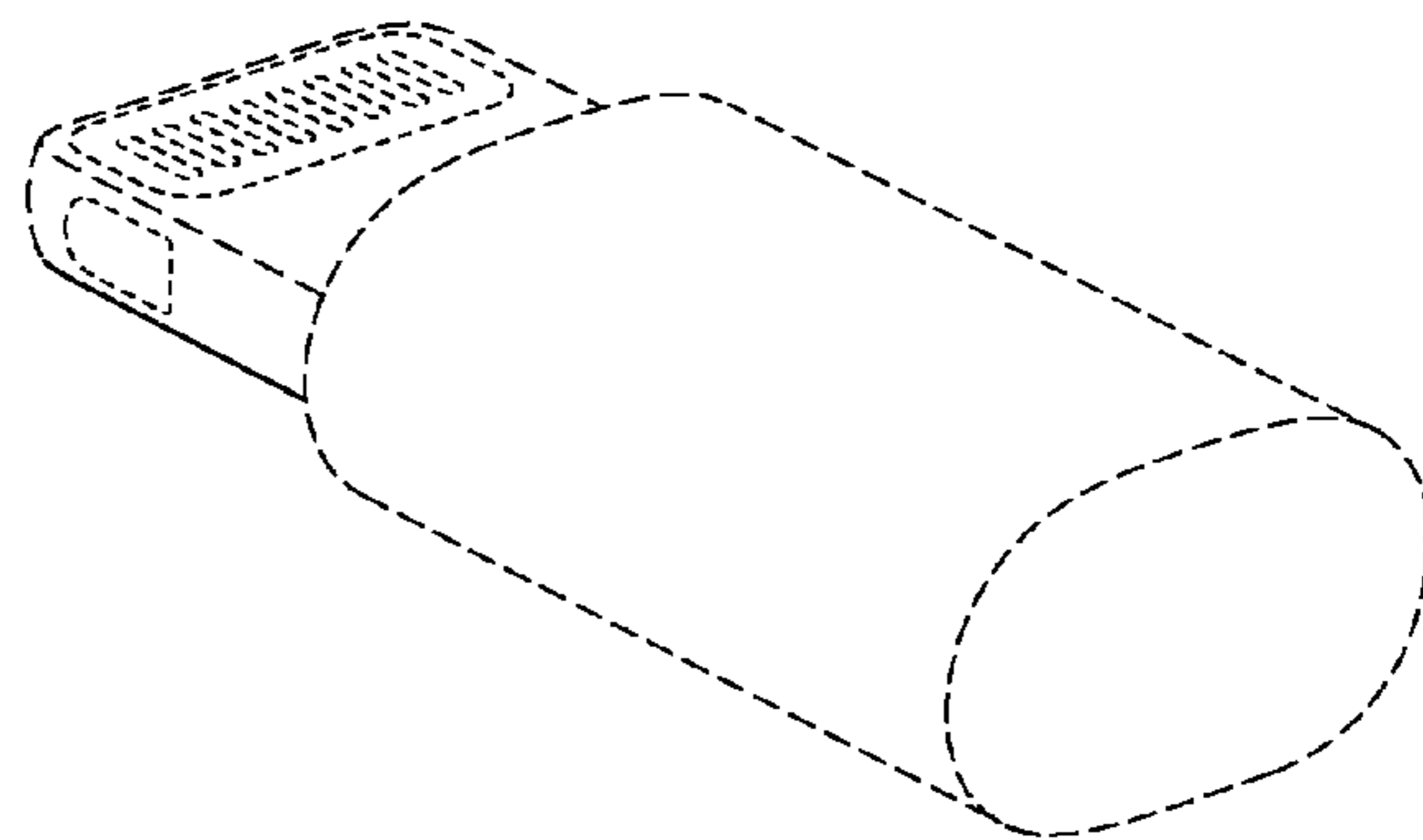
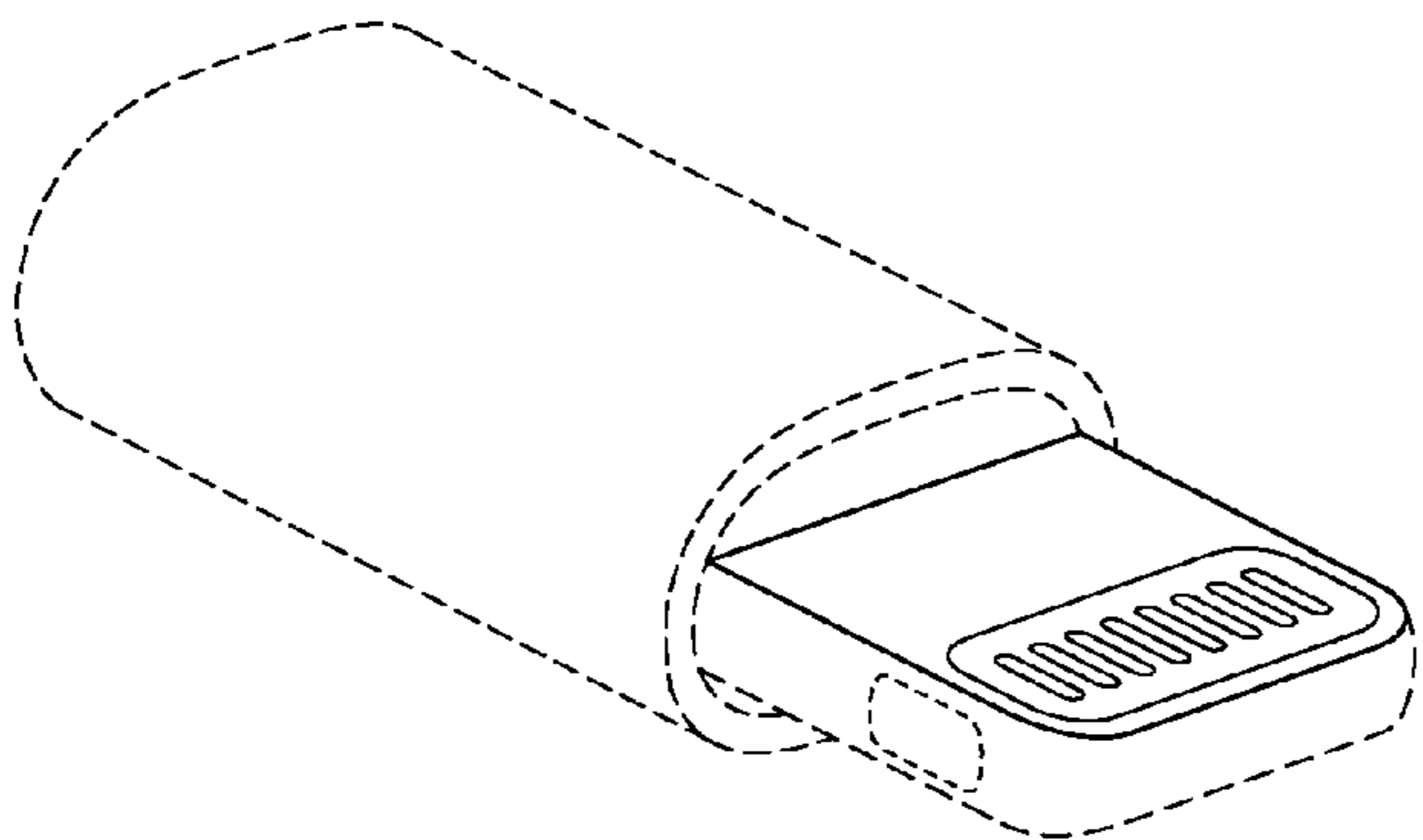
(57) **CLAIM**

The ornamental design for a connector, as shown and described.

DESCRIPTION

FIG. 1 is a top front perspective view of a connector showing our new design;
FIG. 2 is a bottom rear perspective view thereof;
FIG. 3 is a top view thereof;
FIG. 4 is a bottom view thereof;
FIG. 5 is a side view thereof;
FIG. 6 is another side view thereof;
FIG. 7 is a front view thereof; and,
FIG. 8 is a rear view thereof.
The broken lines in the Figures show portions of the connector which form no part of the claimed design.

1 Claim, 7 Drawing Sheets



(56)

References Cited

U.S. PATENT DOCUMENTS

D369,157	S	4/1996	Ohmori et al.
D399,047	S	10/1998	Yoshida et al.
6,137,710	A	10/2000	Iwasaki et al.
D452,245	S	12/2001	Wallace et al.
D452,246	S	12/2001	Wallace et al.
6,483,038	B2	11/2002	Lee et al.
D487,747	S	3/2004	Yu et al.
D525,977	S	8/2006	Yao
7,094,089	B2	8/2006	Andre et al.
D552,099	S	10/2007	Nishizawa et al.
7,354,312	B2	4/2008	Chuang
D594,418	S	6/2009	Fujino et al.
D607,886	S	1/2010	Bolotin et al.
D621,785	S	8/2010	Nickol
D637,193	S	5/2011	Andre et al.
D643,040	S	8/2011	Sedio et al.
D655,296	S	3/2012	Andre et al.
D656,147	S	3/2012	Schlossstein
D658,665	S	5/2012	Akana et al.
D659,150	S	5/2012	Andre
D665,754	S	8/2012	Cobbett et al.
D684,539	S	6/2013	Akana et al.
D684,976	S	6/2013	Akana et al.
8,454,388	B2	6/2013	Song
2002/0170972	A1	11/2002	Kim
2003/0225954	A1	12/2003	Wu
2005/0202727	A1	9/2005	Andre et al.
2011/0199729	A1	8/2011	Hsieh
2012/0252256	A1	10/2012	Zhu et al.
2013/0084760	A1	4/2013	Siahaan et al.
2013/0175326	A1	7/2013	Jol et al.

FOREIGN PATENT DOCUMENTS

WO	WO 2011/150403	A1	12/2011
WO	WO 2011/160138	A2	12/2011
WO	WO 2011/163256	A1	12/2011
WO	WO 2011/163260	A1	12/2011
WO	WO 2012/103383	A2	8/2012
WO	WO 2013/817041		6/2013

OTHER PUBLICATIONS

U.S. Appl. No. 29/431,841, filed Sep. 11, 2012 (Not Published).
 U.S. Appl. No. 29/431,876, filed Sep. 11, 2012 (Not Published).
 U.S. Appl. No. 29/432,034, filed Sep. 12, 2012 (Not Published).
 U.S. Appl. No. 13/607,366, filed Sep. 7, 2012 (Not Published).

U.S. Appl. No. 13/607,404, filed Sep. 7, 2012 (Not Published).
 U.S. Appl. No. 13/607,426, filed Sep. 7, 2012 (Not Published).
 U.S. Appl. No. 13/607,430, filed Sep. 7, 2012 (Not Published).
 U.S. Appl. No. 13/607,443, filed Sep. 7, 2012 (Not Published).
 U.S. Appl. No. 13/607,446, filed Sep. 7, 2012 (Not Published).
 U.S. Appl. No. 13/607,454, filed Sep. 7, 2012 (Not Published).
 U.S. Appl. No. 13/607,462, filed Sep. 7, 2012 (Not Published).
 U.S. Appl. No. 13/607,473, filed Sep. 7, 2012 (Not Published).
 U.S. Appl. No. 13/607,478, filed Sep. 7, 2012 (Not Published).
 U.S. Appl. No. 13/607,497, filed Sep. 7, 2012 (Not Published).
 U.S. Appl. No. 13/607,502, filed Sep. 7, 2012 (Not Published).
 U.S. Appl. No. 13/607,519, filed Sep. 7, 2012 (Not Published).
 U.S. Appl. No. 13/607,528, filed Sep. 7, 2012 (Not Published).
 U.S. Appl. No. 13/607,550, filed Sep. 7, 2012 (Not Published).
 U.S. Appl. No. 13/607,553, filed Sep. 7, 2012 (Not Published).
 U.S. Appl. No. 13/607,554, filed Sep. 7, 2012 (Not Published).
 U.S. Appl. No. 13/607,563, filed Sep. 7, 2012 (Not Published).
 U.S. Appl. No. 13/607,566, filed Sep. 7, 2012 (Not Published).
 U.S. Appl. No. 13/607,598, filed Sep. 7, 2012 (Not Published).
 U.S. Appl. No. 13/607,600, filed Sep. 7, 2012 (Not Published).
 U.S. Appl. No. 13/610,326, filed Sep. 11, 2012 (Not Published).
 U.S. Appl. No. 13/610,631, filed Sep. 11, 2012 (Not Published).
 U.S. Appl. No. 13/610,750, filed Sep. 11, 2012 (Not Published).
 U.S. Appl. No. 13/610,832, filed Sep. 11, 2012 (Not Published).
 U.S. Appl. No. 61/668,074, filed Jul. 5, 2012 (Not Published).
 U.S. Appl. No. 61/693,228, filed Aug. 24, 2012 (Not Published).
 U.S. Appl. No. 61/693,232, filed Aug. 24, 2012 (Not Published).
 U.S. Appl. No. 61/698,496, filed Sep. 7, 2012 (Not Published).
 U.S. Appl. No. 61/698,538, filed Sep. 7, 2012 (Not Published).
 U.S. Appl. No. 61/699,818, filed Sep. 11, 2012 (Not Published).
 U.S. Appl. No. 61/699,838, filed Sep. 11, 2012 (Not Published).
 International Patent Application No. PCT/CN2012/081245, filed Sep. 11, 2012 (Not Published).
 International Patent Application No. PCT/CN2012/081257, filed Sep. 11, 2012 (Not Published).
 Co-pending U.S. Appl. No. 29/449,244, filed Mar. 14, 2013 (Not Published).
 Co-pending U.S. Appl. No. 29/441,757, filed Jan. 9, 2013 (Not Published).
 Co-pending U.S. Appl. No. 29/455,174, filed May 17, 2013 (Not Published).
 Co-pending U.S. Appl. No. 29/456,392, filed May 30, 2013 (Not Published).
 Co-pending U.S. Appl. No. 29/456,487, filed May 31, 2013 (Not Published).
 Co-pending U.S. Appl. No. 29/456,394, filed May 30, 2013 (Not Published).

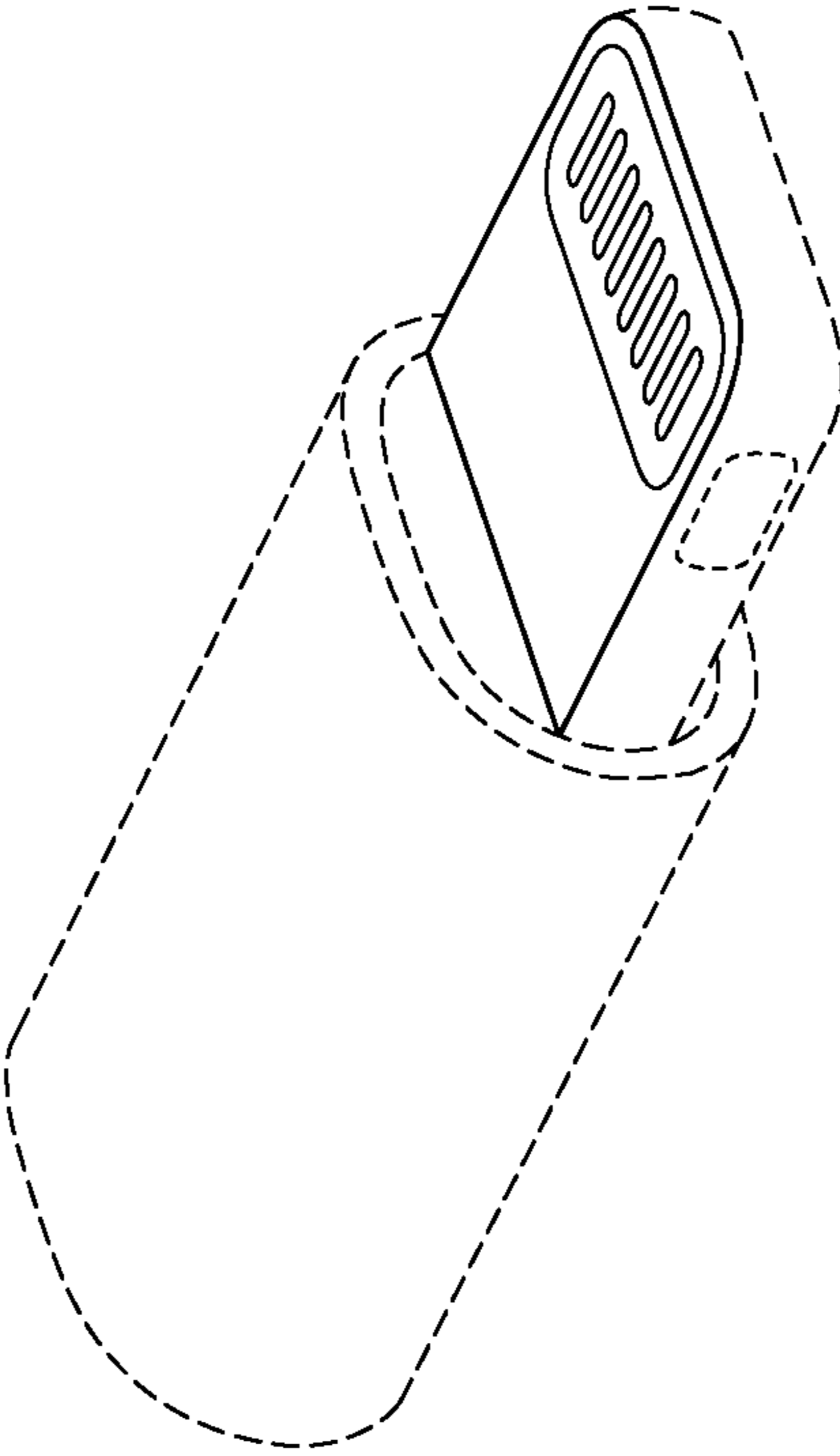


FIG. 1

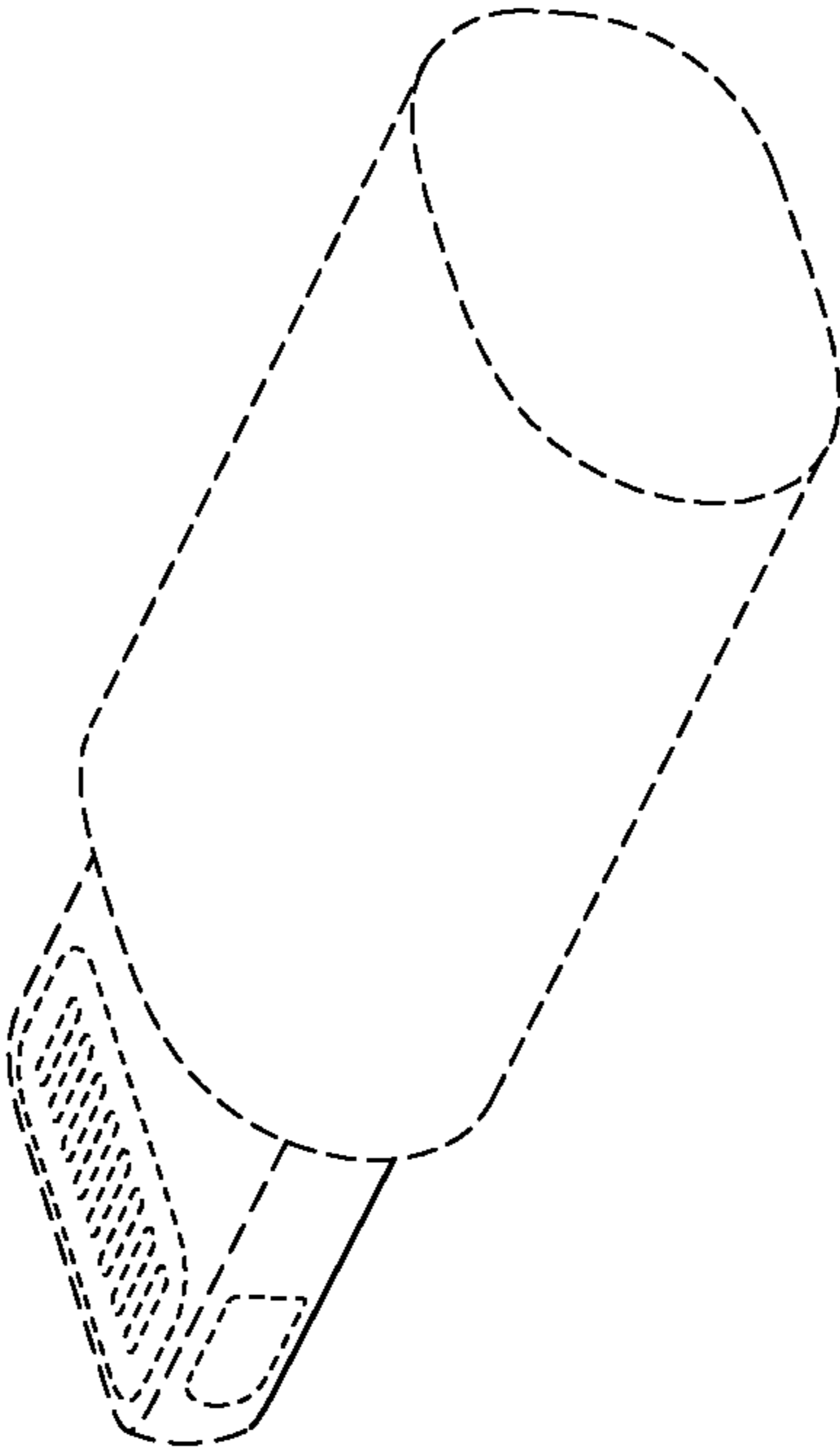


FIG. 2

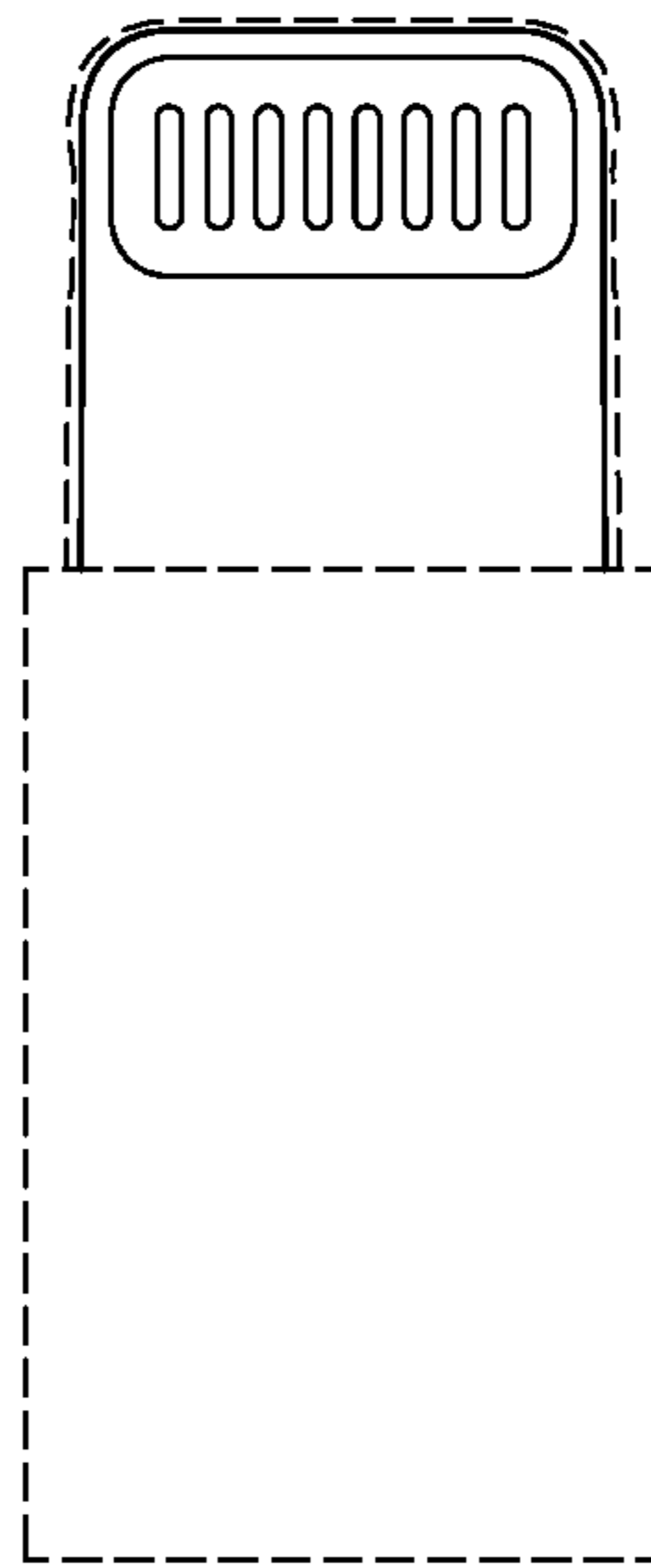


FIG. 3

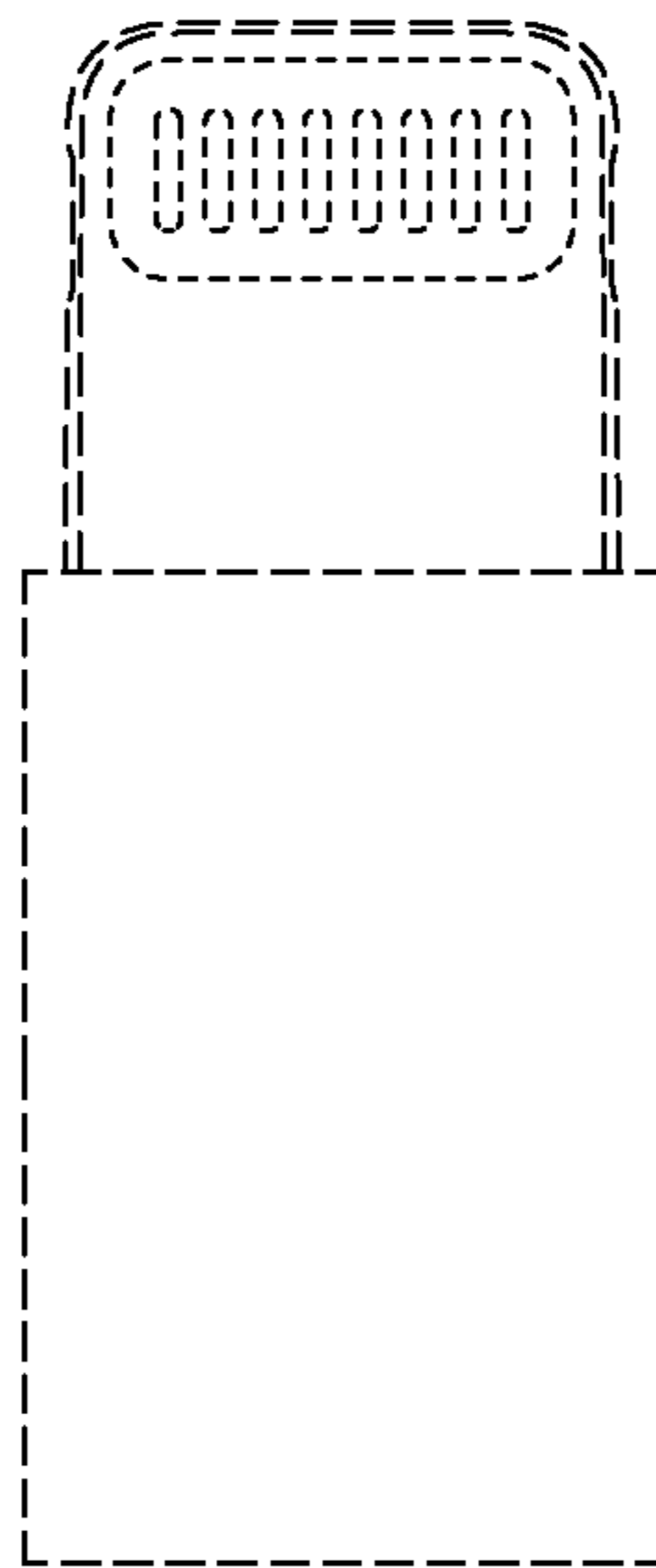


FIG. 4

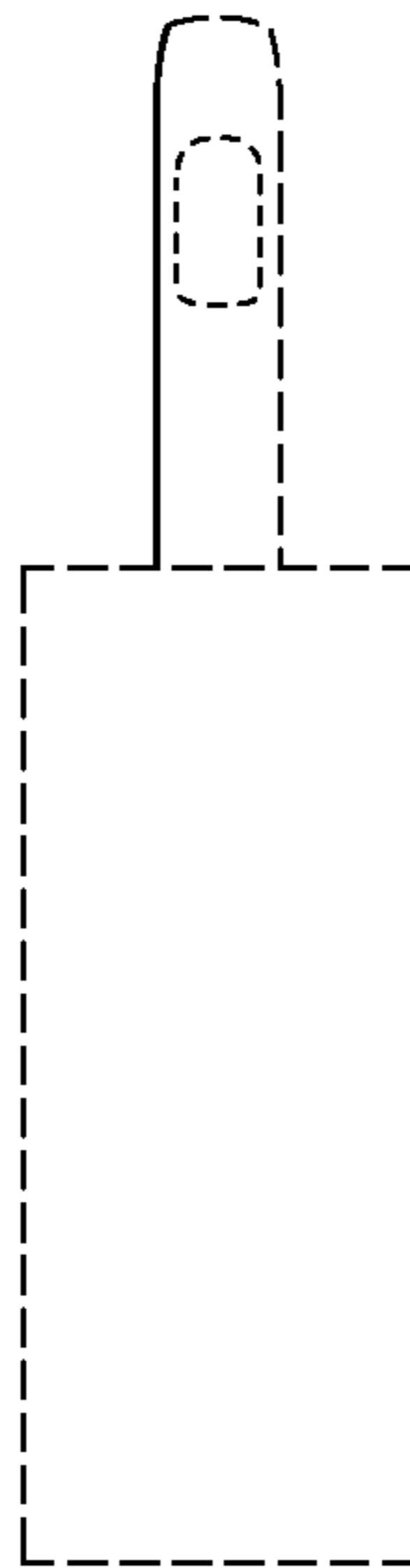


FIG. 5

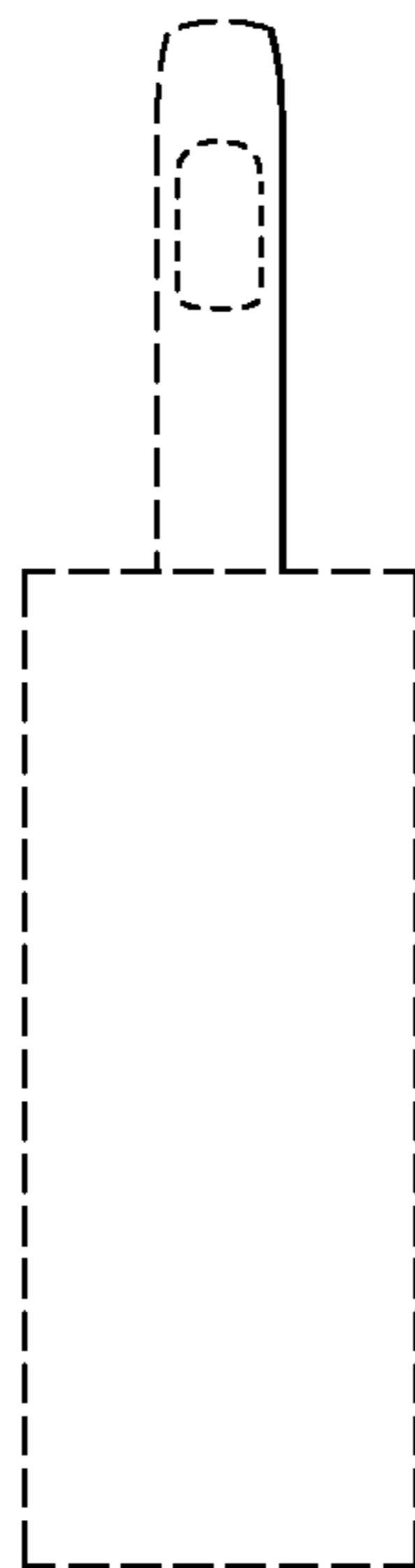


FIG. 6

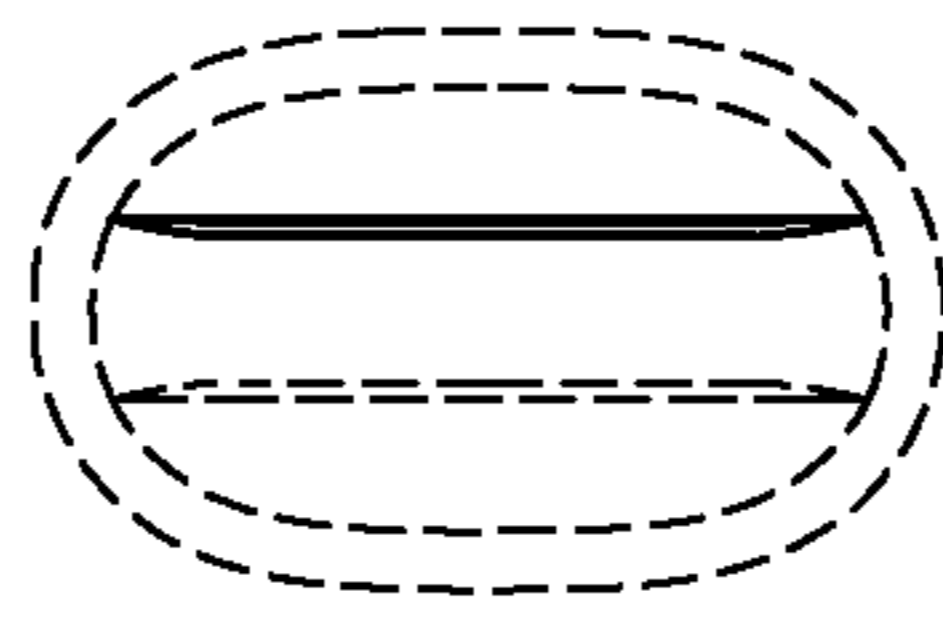


FIG. 7

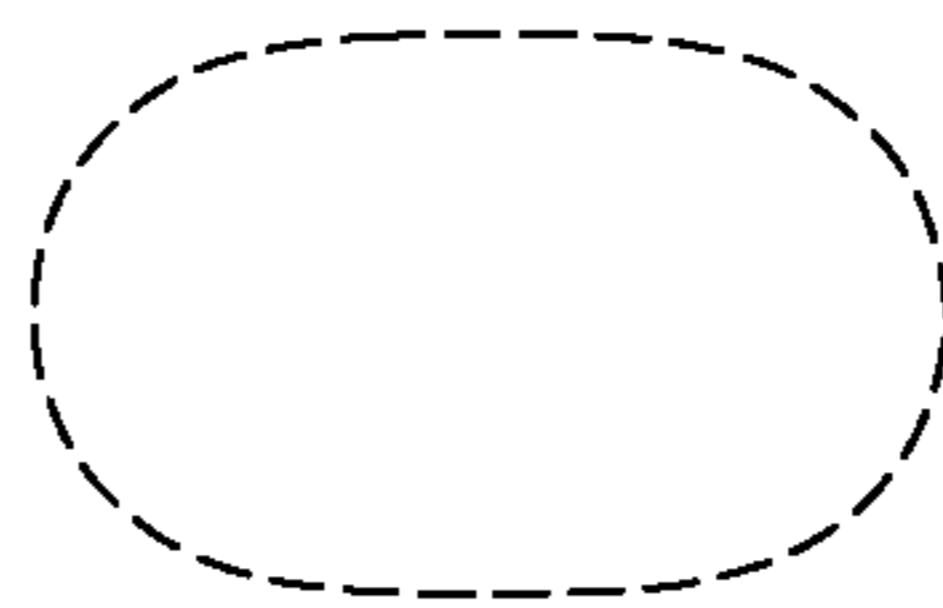


FIG. 8