



US00D705175S

(12) **United States Design Patent**
Chu

(10) **Patent No.:** **US D705,175 S**

(45) **Date of Patent:** **** May 20, 2014**

(54) **CONNECTOR**

(71) Applicant: **Ever Win International Corporation,**
City of Industry, CA (US)

(72) Inventor: **Man Ho Chu,** Hong Kong (CN)

(73) Assignee: **Ever Win International Corporation,**
City of Industry, CA (US)

(**) Term: **14 Years**

(21) Appl. No.: **29/437,690**

(22) Filed: **Nov. 20, 2012**

(51) **LOC (10) Cl.** **13-03**

(52) **U.S. Cl.**
USPC **D13/147**

(58) **Field of Classification Search**
USPC D13/133, 147, 154, 184, 199; 439/180,
439/207, 210, 246, 278, 374, 376, 445, 446,
439/447, 476.1, 527, 529, 533, 623, 892,
439/894, 954

See application file for complete search history.

(56) **References Cited**

U.S. PATENT DOCUMENTS

6,257,930	B1	7/2001	Yu	
D473,848	S	4/2003	Zheng et al.	
D496,632	S	9/2004	David et al.	
6,902,432	B2	6/2005	Morikawa et al.	
D531,581	S	11/2006	Wang et al.	
7,155,545	B1	12/2006	Wang	
D543,945	S	6/2007	Ho et al.	
D548,700	S *	8/2007	Ledbetter et al. D13/154
D549,660	S	8/2007	Zenri et al.	
7,258,565	B2	8/2007	Huang et al.	
D551,626	S	9/2007	Ho et al.	

D554,065	S	10/2007	Ho et al.	
D585,835	S	2/2009	Jaqua et al.	
D588,545	S	3/2009	Andre et al.	
D600,652	S	9/2009	Hong et al.	
D609,184	S	2/2010	Liu	
D619,963	S	7/2010	Hou	
D629,805	S	12/2010	Nysen et al.	
D636,337	S *	4/2011	Smith et al. D13/147
D638,363	S *	5/2011	Ledbetter et al. D13/147
D692,390	S *	10/2013	Smith et al. D13/153

OTHER PUBLICATIONS

U.S. Appl. No. 29/437,684, filed Nov. 20, 2012, Yuk Ying Wong (Inventor).

* cited by examiner

Primary Examiner — Daniel Bui

(74) *Attorney, Agent, or Firm* — Joe Nieh

(57) **CLAIM**

The ornamental design for a connector, as shown and described.

DESCRIPTION

FIG. 1 is a perspective view of a connector showing my new design;

FIG. 2 is a front view thereof;

FIG. 3 is a bottom view thereof;

FIG. 4 is a top view thereof;

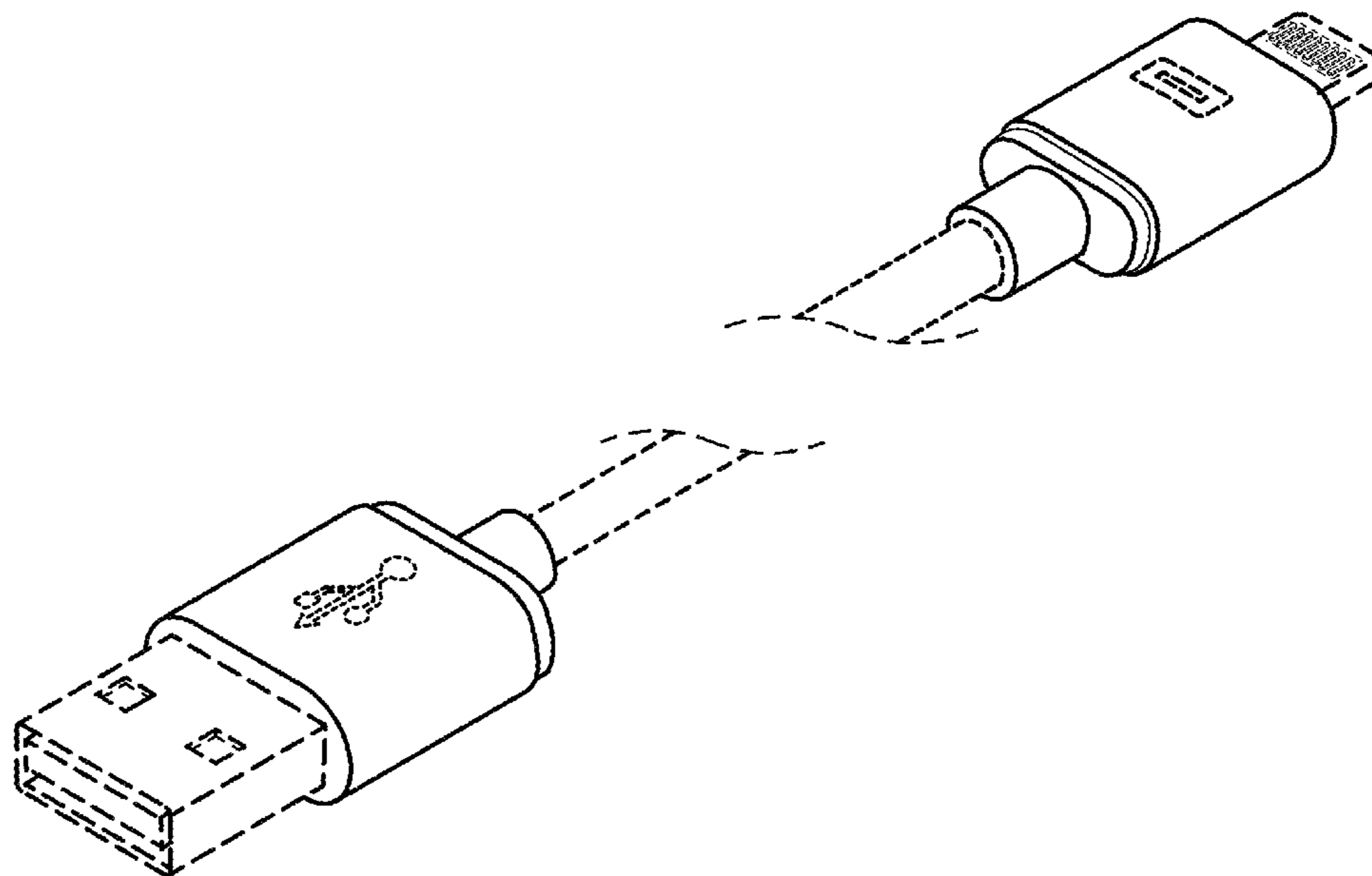
FIG. 5 is a left side view thereof

FIG. 6 is a right side view thereof; and,

FIG. 7 is a rear view thereof.

The broken lines shown in the drawings are included for the purpose of illustrating unclaimed portions of the connector and form no part of the claimed design.

1 Claim, 2 Drawing Sheets



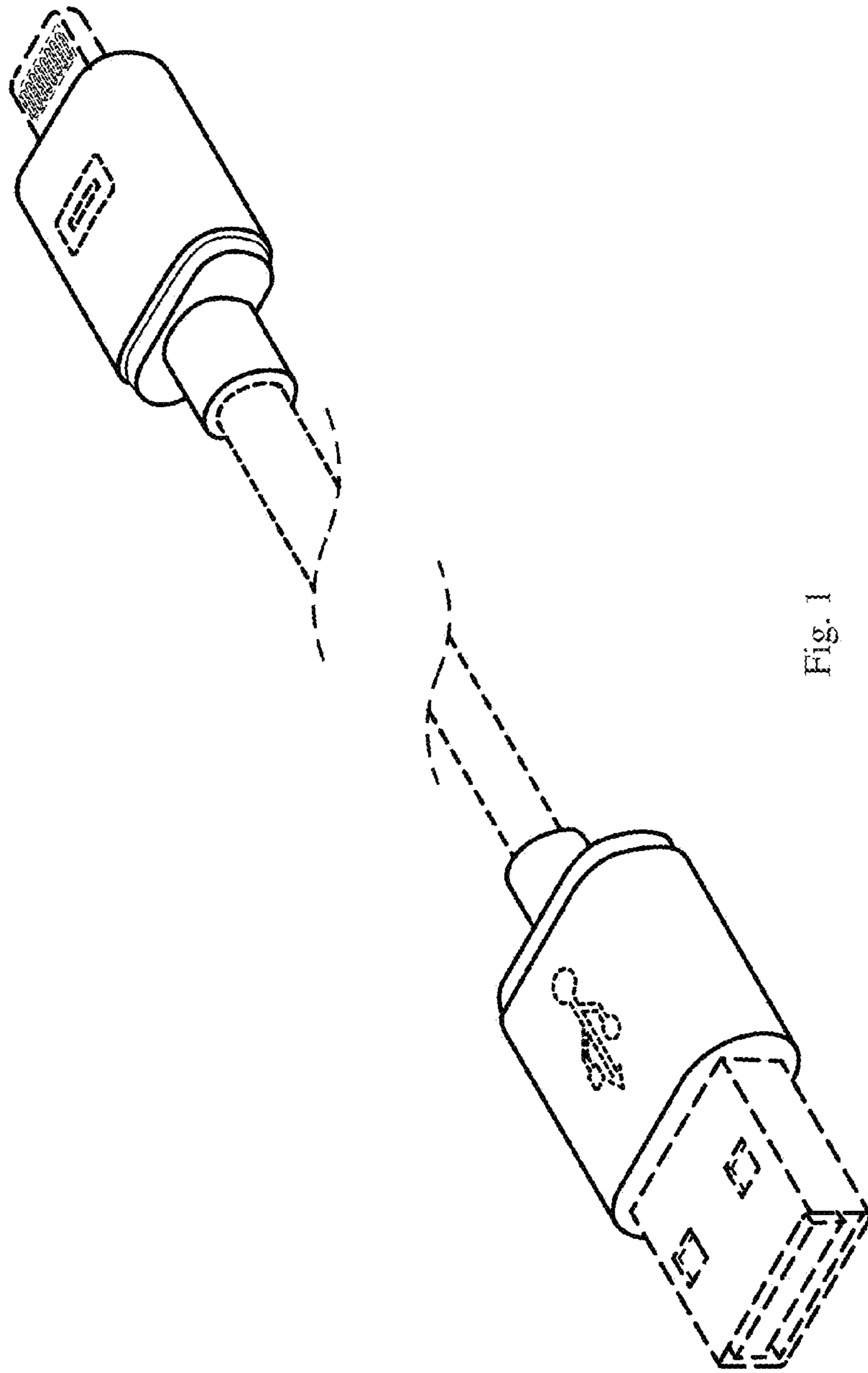


Fig. 1

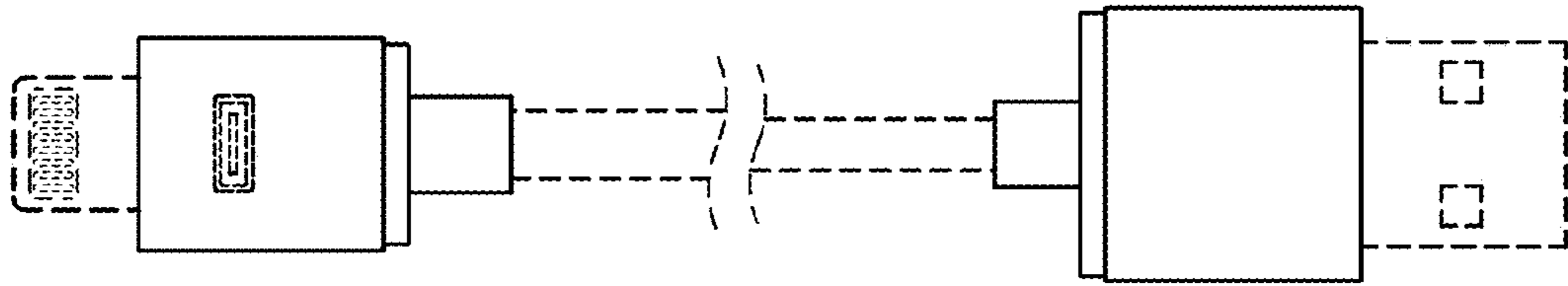


Fig. 7

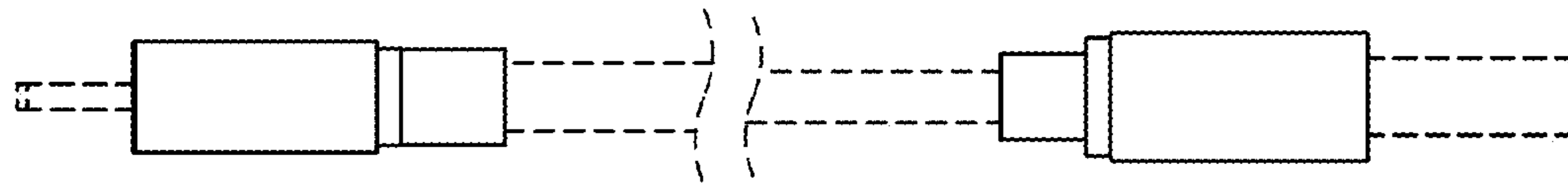


Fig. 6

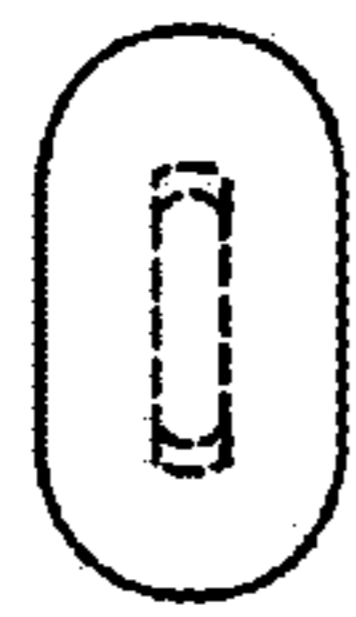


Fig. 4

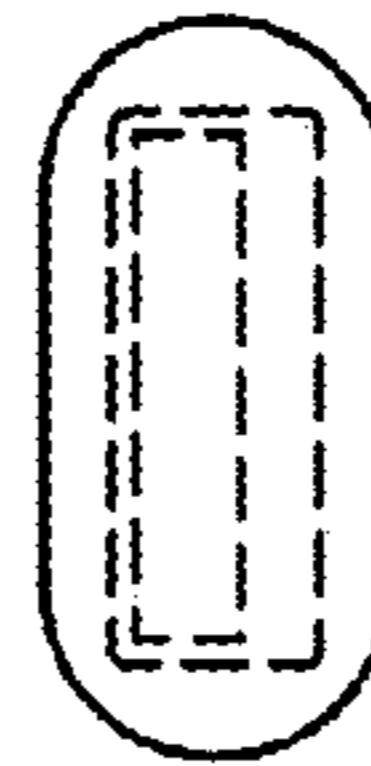


Fig. 3

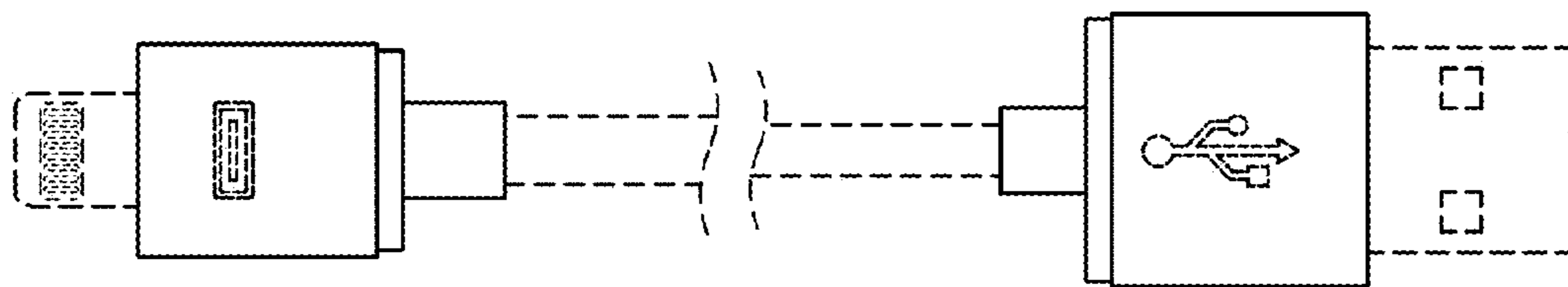


Fig. 2

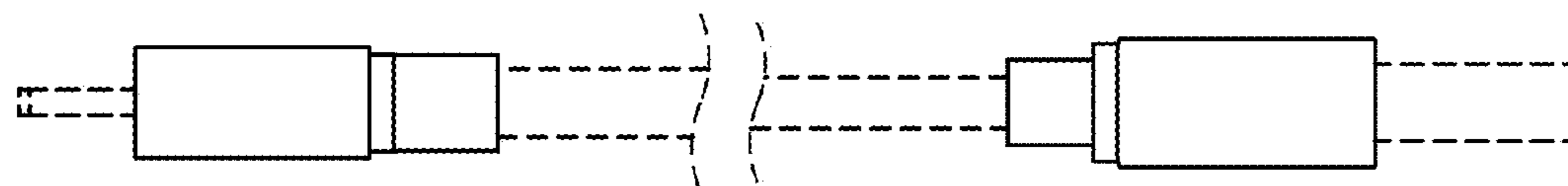


Fig. 5