



US00D705172S

(12) **United States Design Patent**  
**Nomura et al.**

(10) **Patent No.:** **US D705,172 S**

(45) **Date of Patent:** **\*\* May 20, 2014**

(54) **HOUSING FOR A CONNECTOR**

(75) Inventors: **Rika Nomura**, Tokyo (JP); **Koji Nakagawa**, Tokyo (JP); **Norio Chujo**, Tokyo (JP); **Yuichi Koreeda**, Tokyo (JP)

(73) Assignees: **Hitachi, Ltd.**, Tokyo (JP); **Japan Aviation Electronics Industry, Limited**, Tokyo (JP)

(\*\*) Term: **14 Years**

(21) Appl. No.: **29/417,799**

(22) Filed: **Apr. 9, 2012**

(30) **Foreign Application Priority Data**

Oct. 26, 2011 (JP) ..... 2011-024644

(51) **LOC (10) Cl.** ..... **13-03**

(52) **U.S. Cl.**  
USPC ..... **D13/147**

(58) **Field of Classification Search**  
USPC ..... D13/133, 146-147, 154, 184, 199;  
439/180, 246, 278, 374, 379, 381, 527,  
439/529, 533, 892, 894  
See application file for complete search history.

(56) **References Cited**

**U.S. PATENT DOCUMENTS**

D218,747 S \* 9/1970 Bennett et al. .... D13/147  
D316,703 S \* 5/1991 Eto et al. .... D13/147  
D319,215 S \* 8/1991 Takenouchi et al. .... D13/147

D517,488 S \* 3/2006 Riku ..... D13/147  
D517,992 S \* 3/2006 Riku ..... D13/147  
D619,099 S \* 7/2010 Ngo ..... D13/154

\* cited by examiner

*Primary Examiner* — Daniel Bui

(74) *Attorney, Agent, or Firm* — Westerman, Hattori, Daniels & Adrian, LLP

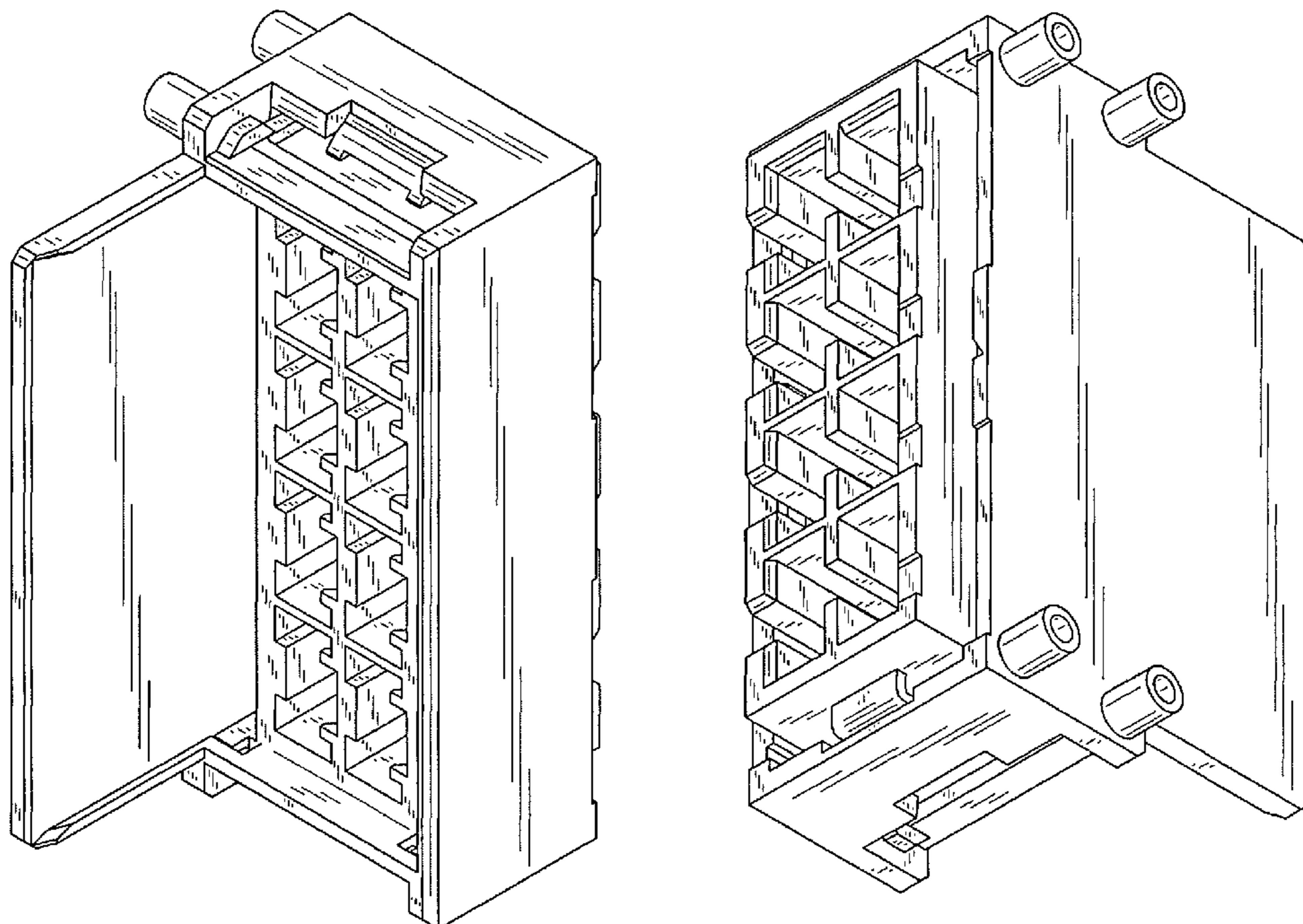
(57) **CLAIM**

The ornamental design for a housing for a connector, as shown and described.

**DESCRIPTION**

FIG. 1 is a front elevational view of a housing for a connector showing our new design;  
FIG. 2 is a rear elevational view thereof;  
FIG. 3 is a right side elevational view thereof;  
FIG. 4 is a left side elevational view thereof;  
FIG. 5 is a top plan view thereof;  
FIG. 6 is a bottom plan view thereof;  
FIG. 7 is a cross-sectional view thereof, taken along line "7-7" of FIG. 1;  
FIG. 8 is a cross-sectional view thereof, taken along line "8-8" of FIG. 1;  
FIG. 9 is a cross-sectional view thereof, taken along line "9-9" of FIG. 1;  
FIG. 10 is a front, top and right side perspective view thereof;  
FIG. 11 is a rear, bottom and left side perspective view thereof;  
FIG. 12 is a front, right and bottom side perspective view; and,  
FIG. 13 is a rear, left and top side perspective view thereof.

**1 Claim, 12 Drawing Sheets**



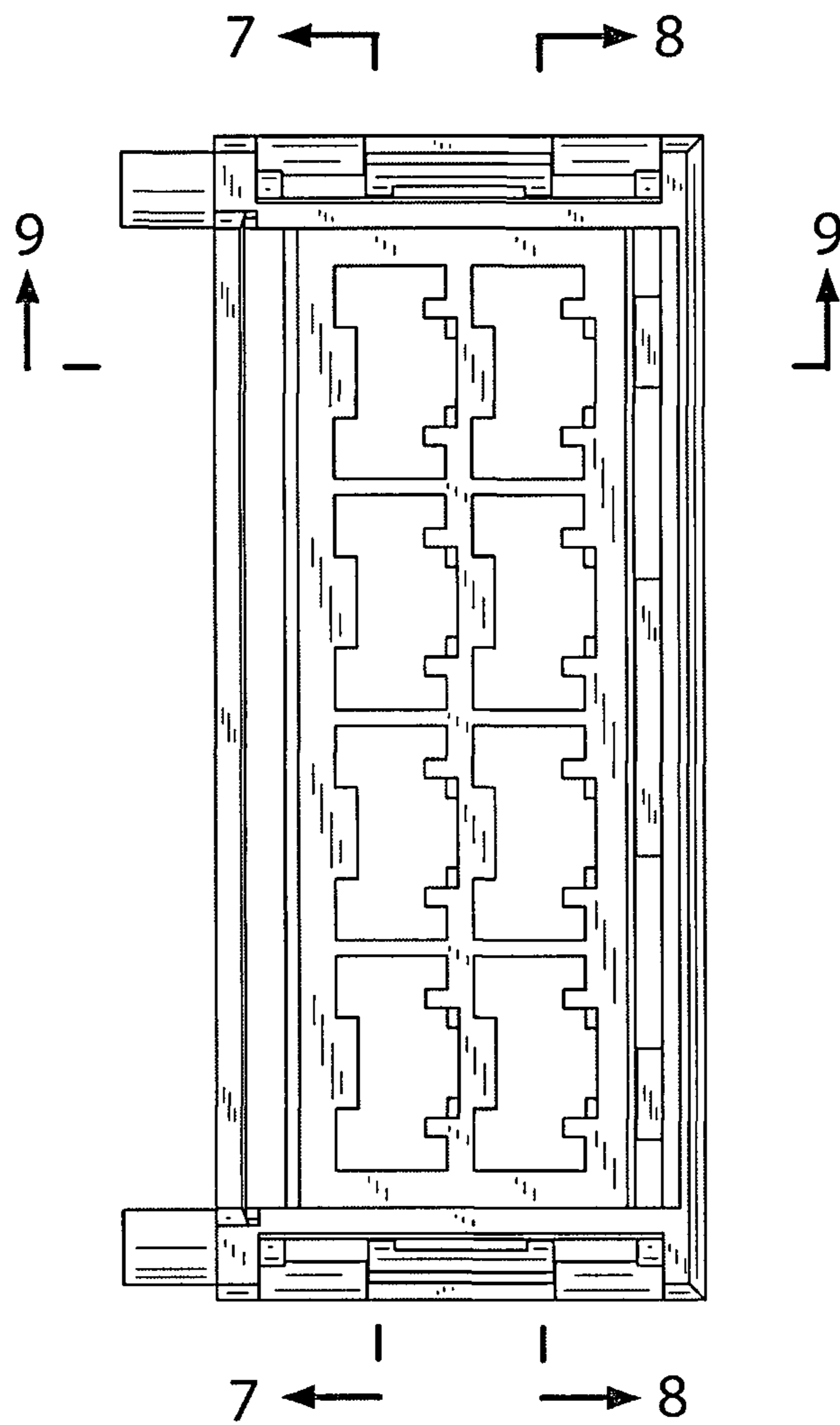


FIG. 1

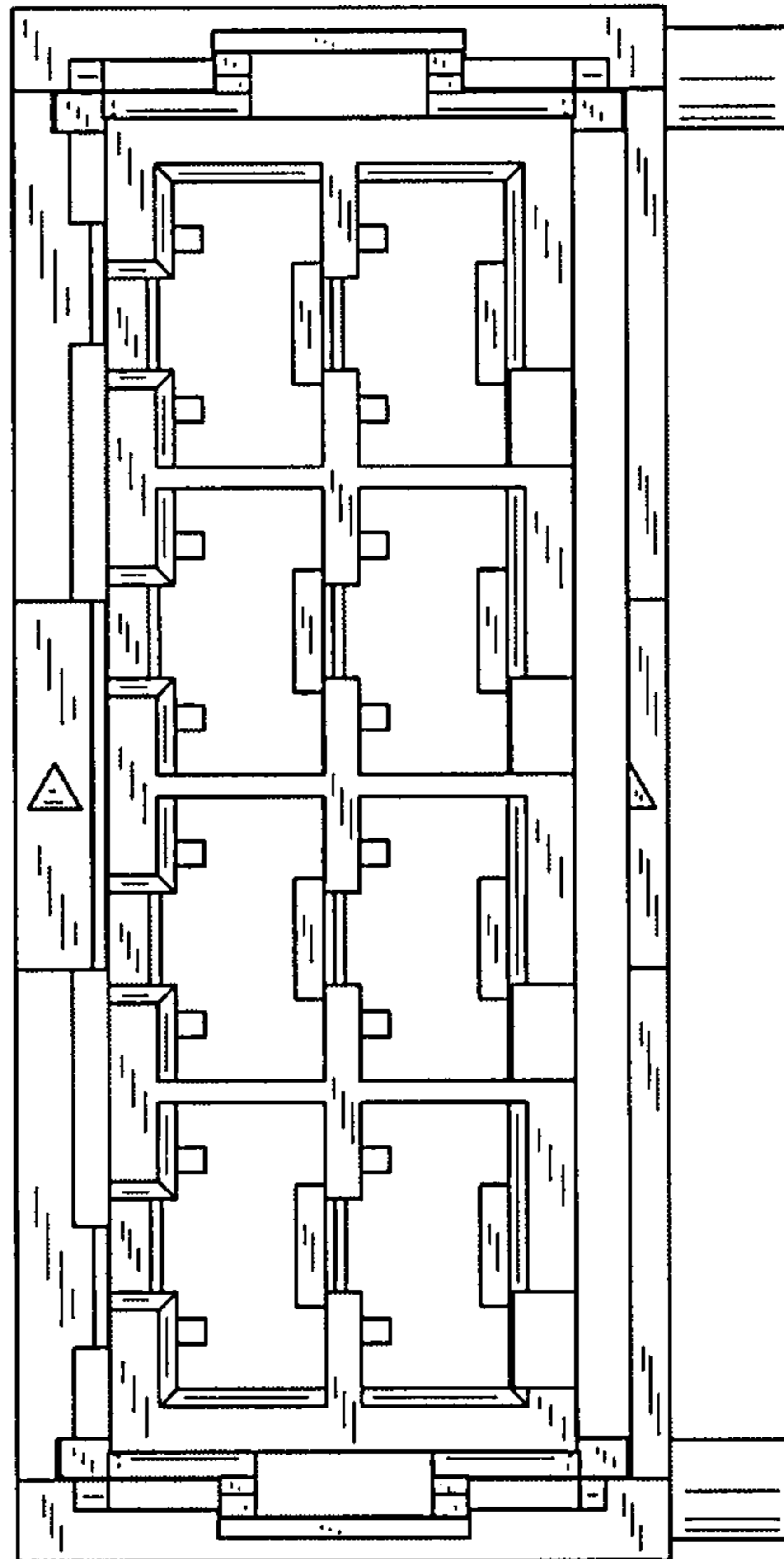


FIG.2

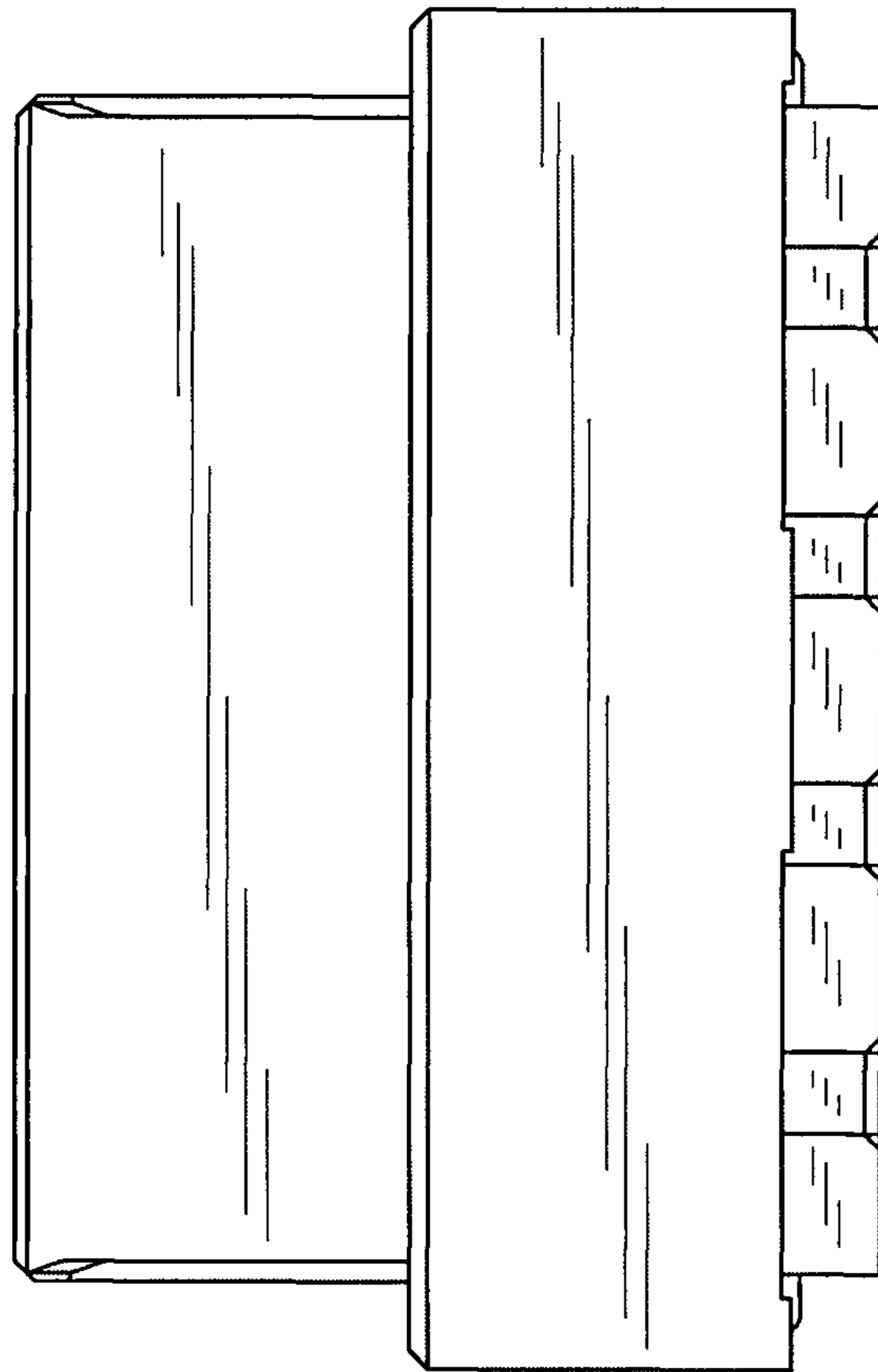


FIG.3

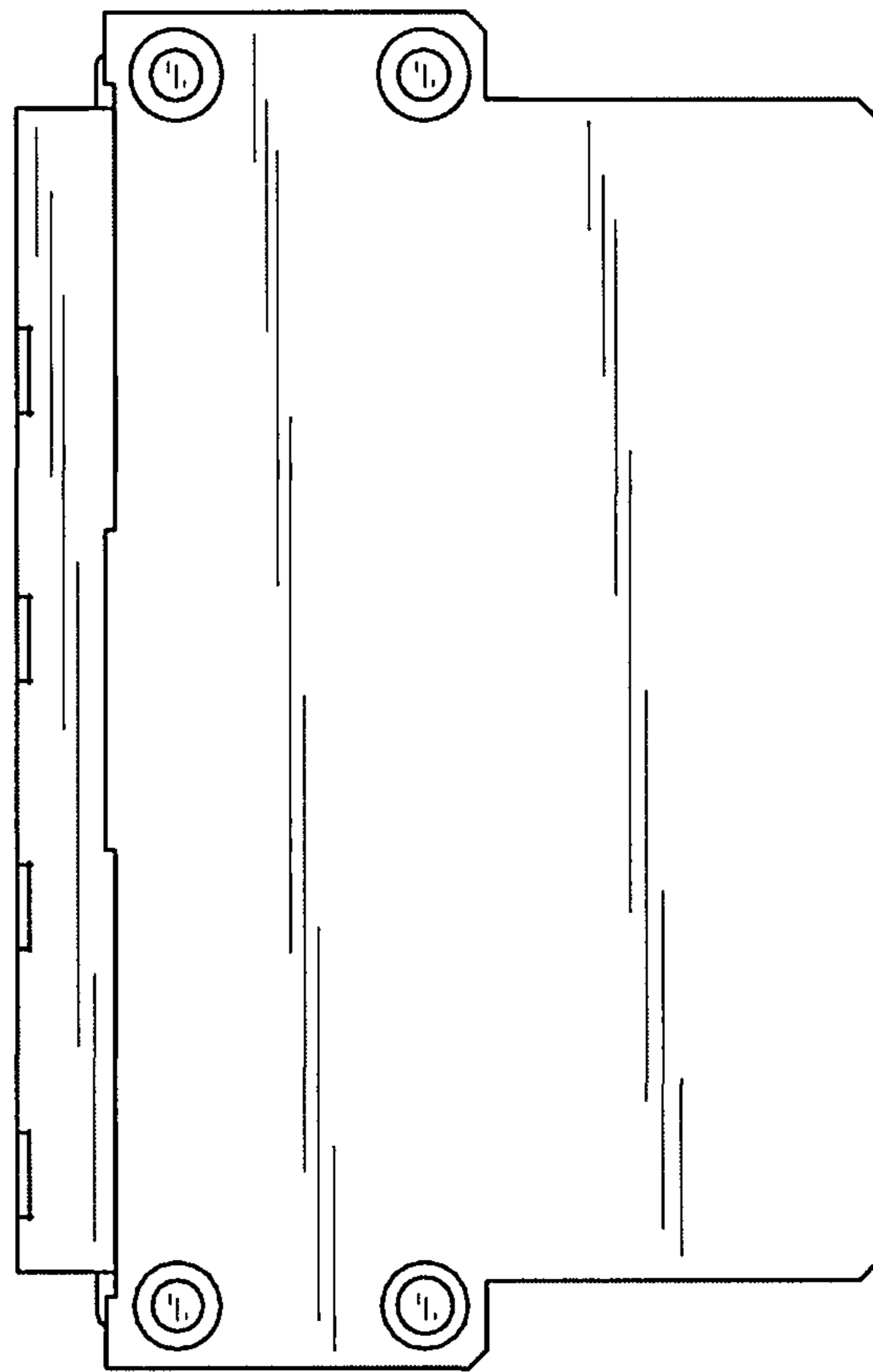


FIG.4

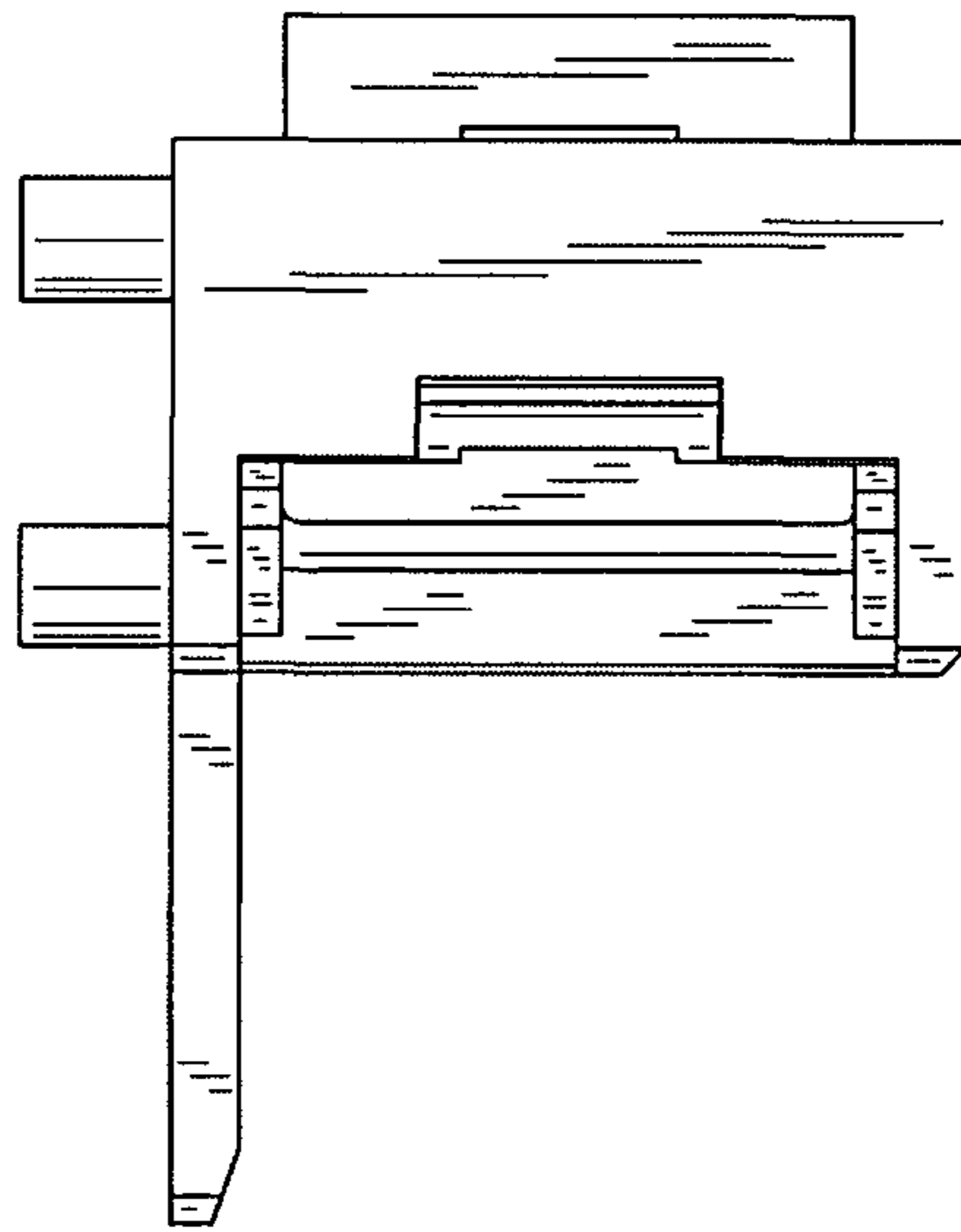


FIG. 5

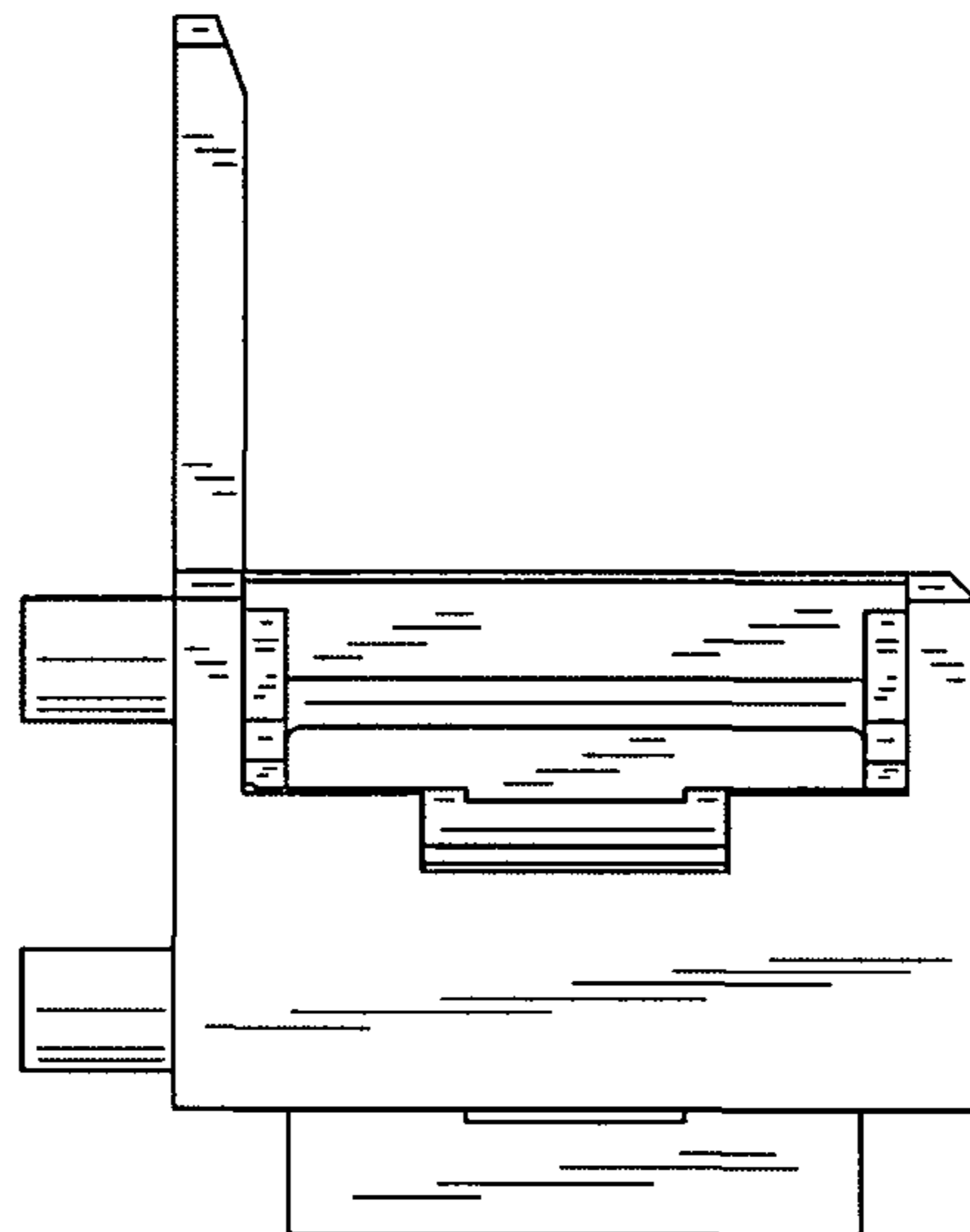


FIG. 6

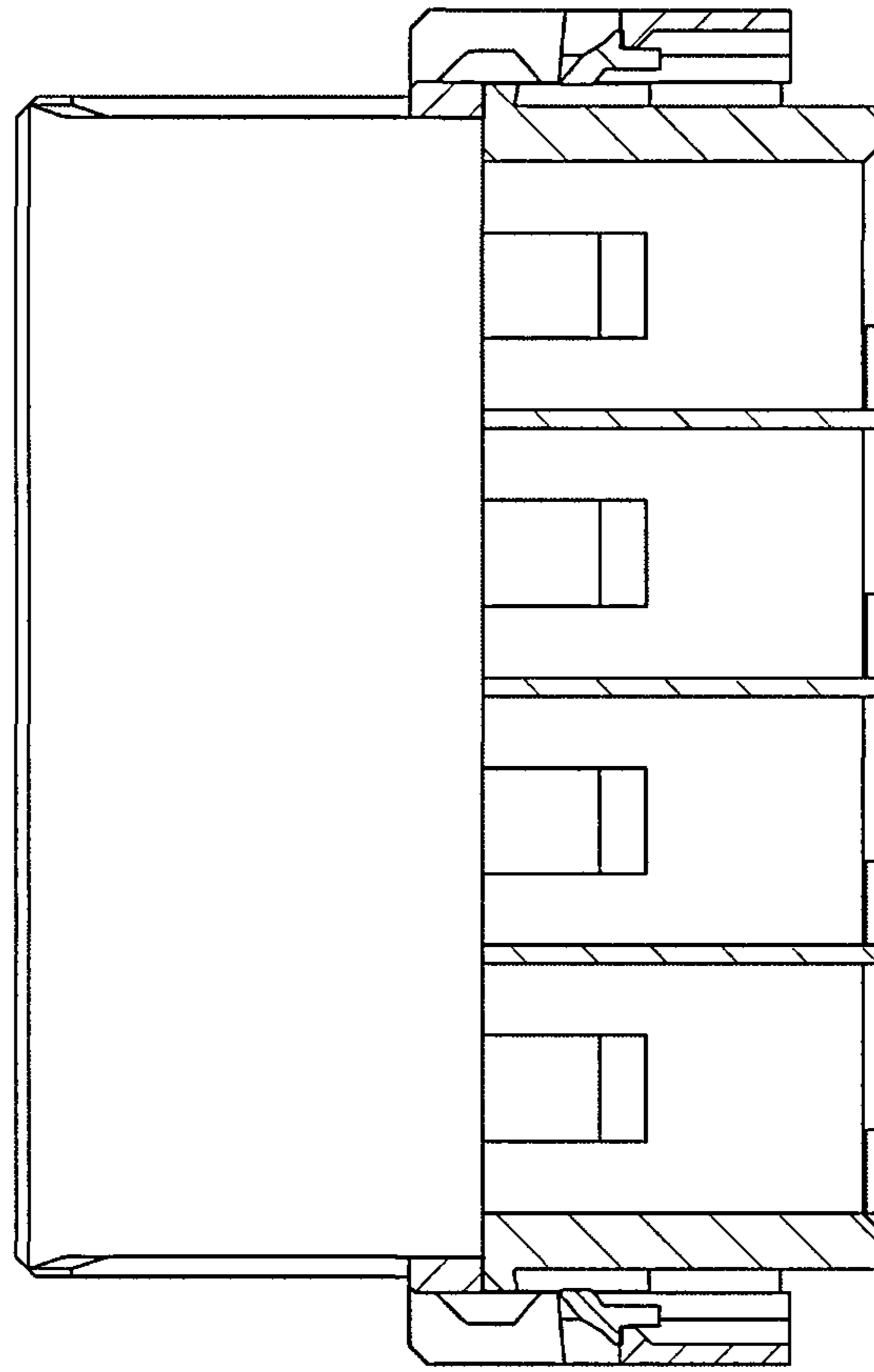


FIG.7

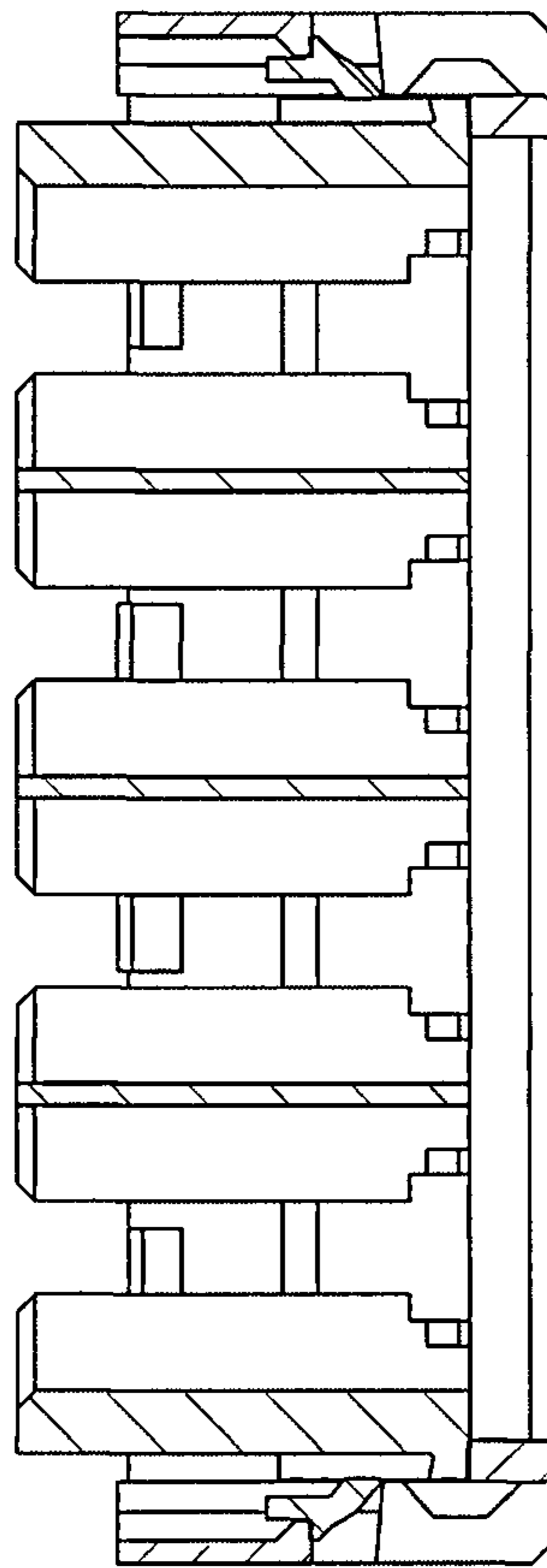


FIG. 8



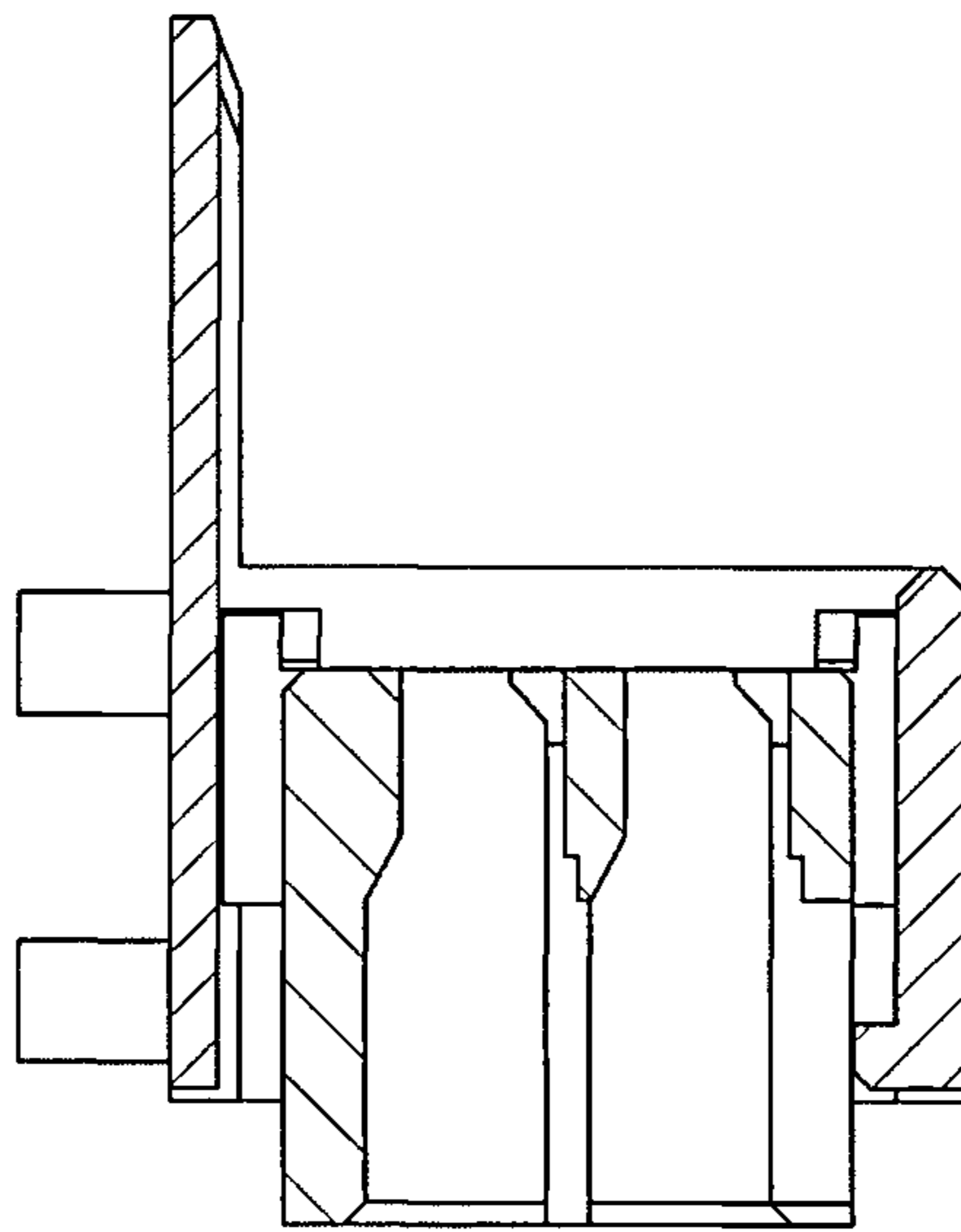


FIG. 9

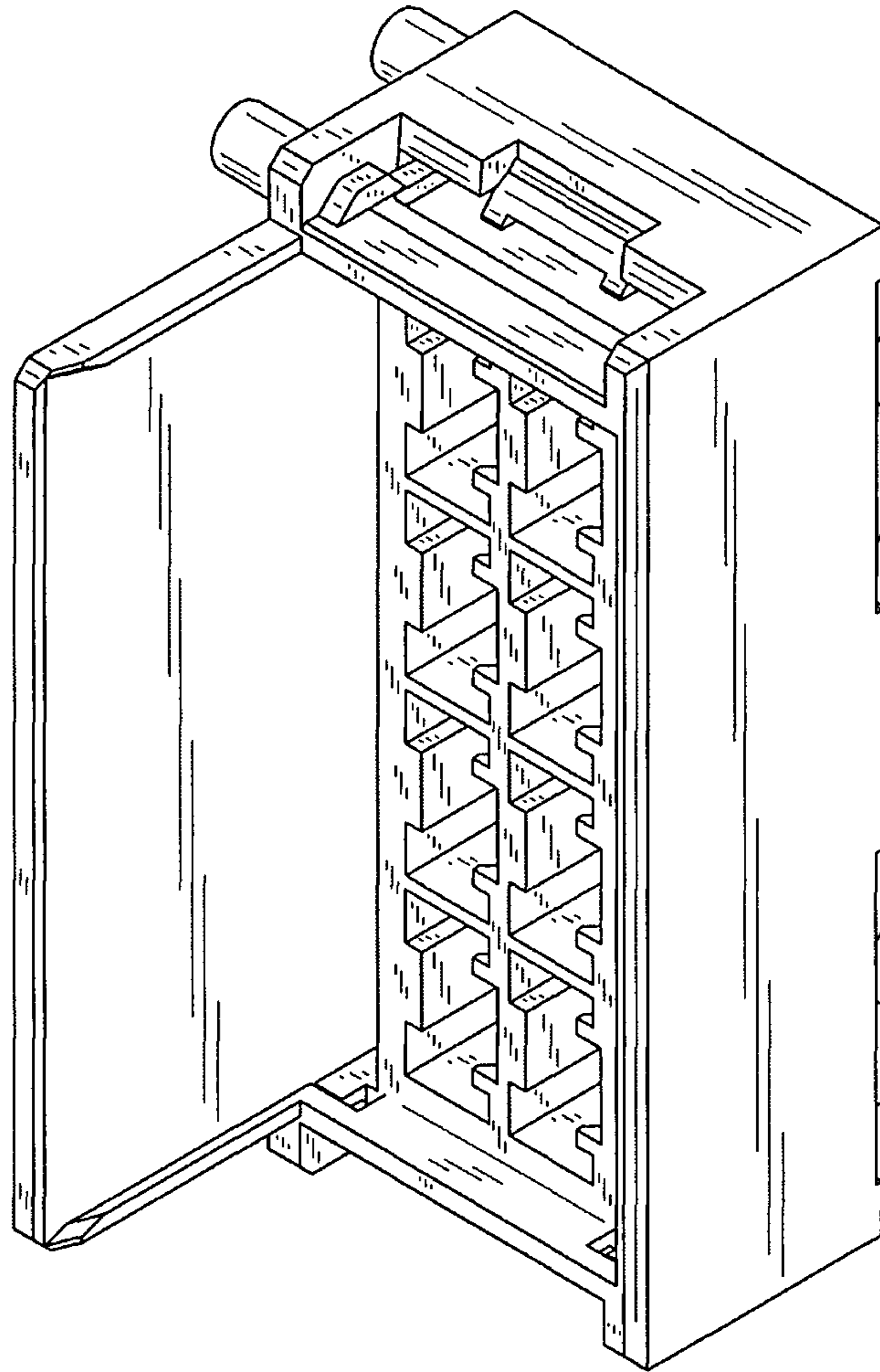


FIG. 10

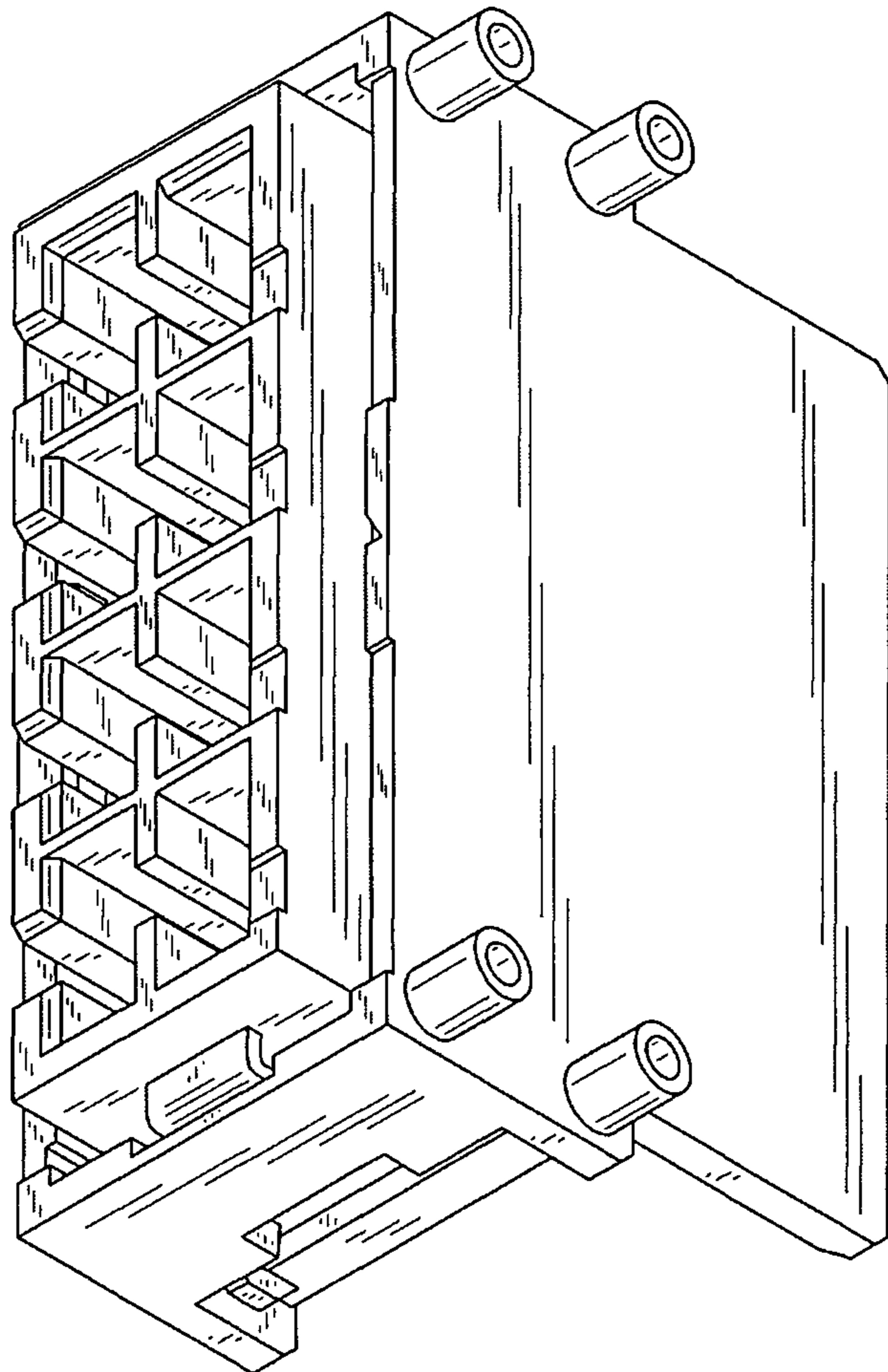


FIG. 11

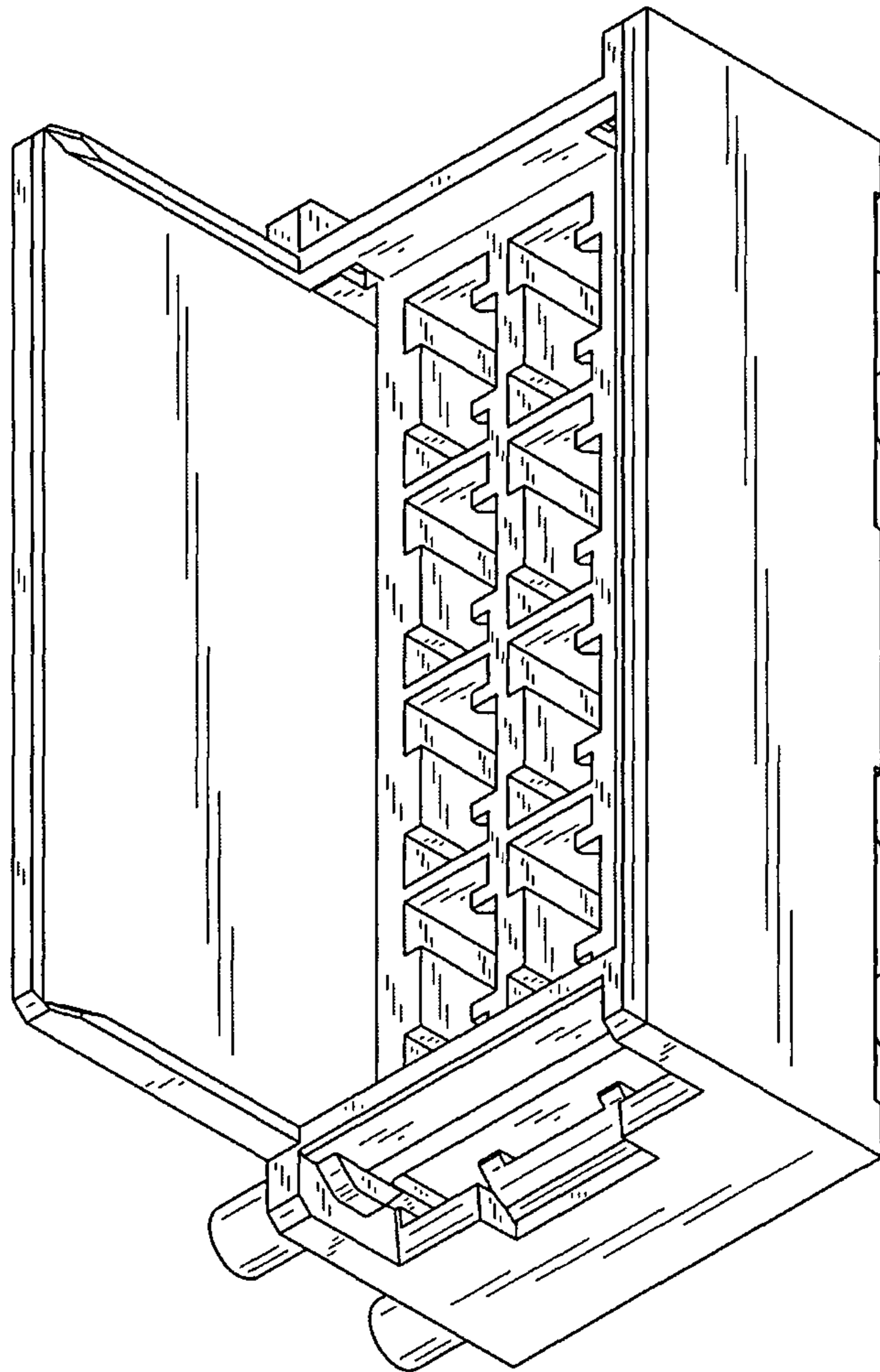


FIG. 12

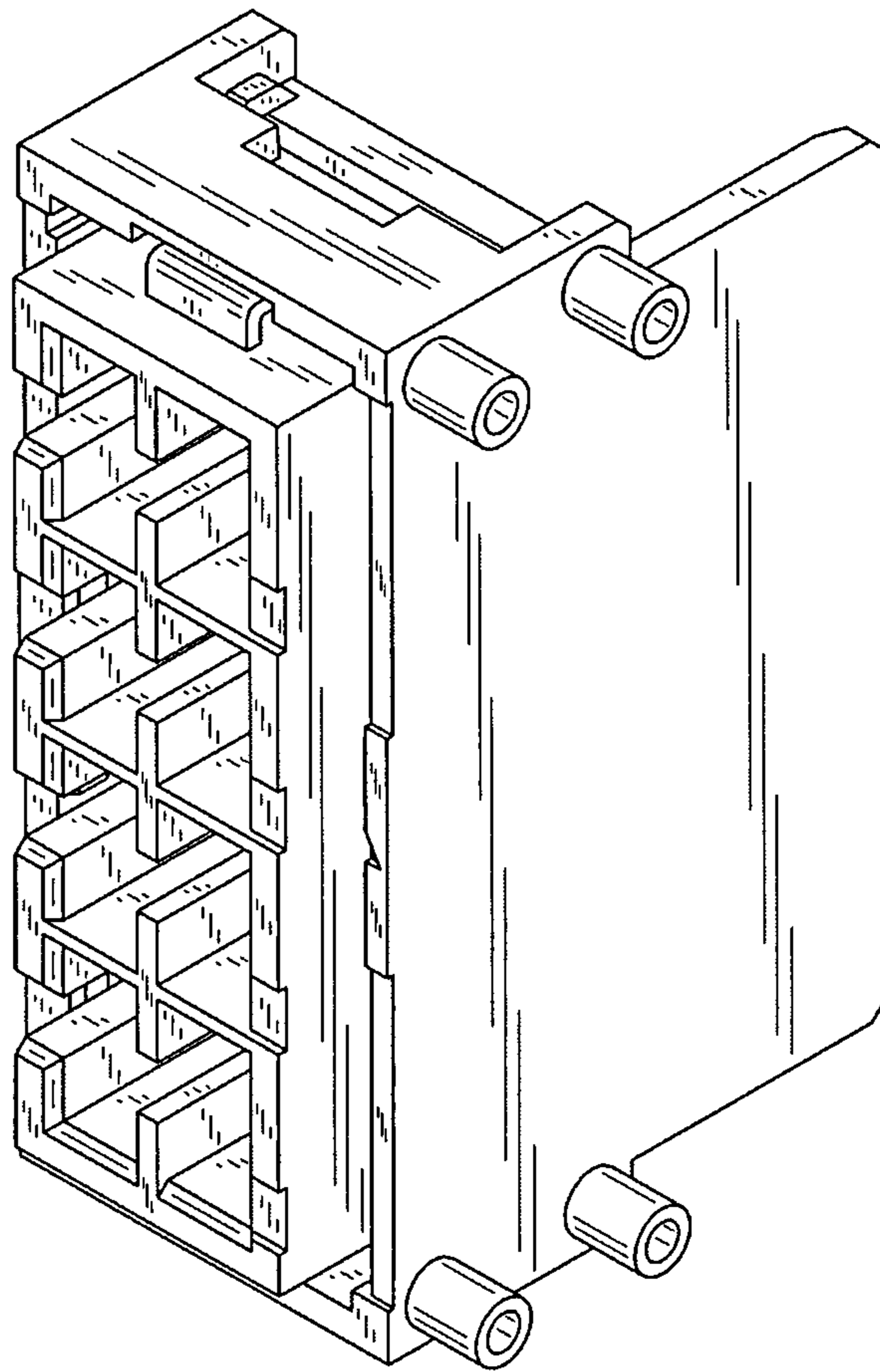


FIG. 13