



US00D705171S

(12) **United States Design Patent**  
**Fukano et al.**

(10) **Patent No.:** **US D705,171 S**  
(45) **Date of Patent:** **\*\* May 20, 2014**

(54) **GATEWAY UNIT**

(75) Inventors: **Yoshihiro Fukano**, Tsukubamirai (JP);  
**Kazuyuki Oguma**, Tsukubamirai (JP)

(73) Assignee: **SMC Corporation**, Chiyoda-ku, Tokyo  
(JP)

(\*\*) Term: **14 Years**

(21) Appl. No.: **29/427,312**

(22) Filed: **Jul. 17, 2012**

(30) **Foreign Application Priority Data**

Jan. 27, 2012 (JP) ..... 2012-001616

(51) **LOC (10) Cl.** ..... **13-03**

(52) **U.S. Cl.**  
USPC ..... **D13/146**; D13/147

(58) **Field of Classification Search**  
USPC ..... 439/135, 180, 278, 290–292, 295, 483,  
439/527, 529, 533, 540.1, 660, 668, 680,  
439/682, 686, 892, 894; D13/133, 146,  
D13/147, 153–154, 184  
See application file for complete search history.

(56) **References Cited**

**U.S. PATENT DOCUMENTS**

D601,963	S	*	10/2009	Fukano et al.	.....	D13/146
D607,821	S	*	1/2010	Fukano et al.	.....	D13/146
D653,218	S	*	1/2012	Fukano et al.	.....	D13/147
D657,745	S	*	4/2012	Fukano et al.	.....	D13/147
D695,685	S	*	12/2013	Fukano et al.	.....	D13/146
D695,686	S	*	12/2013	Fukano et al.	.....	D13/146
D695,687	S	*	12/2013	Fukano et al.	.....	D13/146

**FOREIGN PATENT DOCUMENTS**

CN	302414911	*	7/2012
JP	D1458488	*	1/2012
JP	D1458174	*	12/2012
JP	D1458489	*	12/2012

KR	300711511.0000	*	10/2013
KR	300711511.0001	*	10/2013
KR	300711511.0002	*	10/2013

**OTHER PUBLICATIONS**

Controllers & Drivers [online]. SMC Corporation, 2013 [retrieved on Feb. 25, 2014]. Retrieved from the Internet: <URL: <http://www.smcusa.com/top-navigation/cad-models.aspx?xmlnum=125783>>.\*  
ACS Features [online]. Tolomatic Inc, 2014 [retrieved on Feb. 25, 2014]. Retrieved from the Internet: <URL: [http://www.tolomatic.com/products/sub\\_page\\_detail.cfm?page\\_id=269C\\_page\\_no=1](http://www.tolomatic.com/products/sub_page_detail.cfm?page_id=269C_page_no=1)>.\*  
Robo Cylinder RCP2 Series Electric Actuator [online]. IAI America, 2014 [retrieved on Feb. 25, 2014]. Retrieved from the Internet: <URL: <http://www.intelligentactuator.com/rcp2-series-electric-actuator/>>.\*

\* cited by examiner

*Primary Examiner* — Richard E Chilcot, Jr.

*Assistant Examiner* — John Eberhart

(74) *Attorney, Agent, or Firm* — Yokoi & Co., U.S.A., Inc.;  
Toshiyuki Yokoi

(57) **CLAIM**

The ornamental design for a gateway unit, as shown and described.

**DESCRIPTION**

FIG. 1 shows a front view of a gateway unit showing our new design;  
FIG. 2 shows a rear view thereof;  
FIG. 3 shows a right side view thereof;  
FIG. 4 shows a left side view thereof;  
FIG. 5 shows a top view thereof;  
FIG. 6 shows a bottom view thereof;  
FIG. 7 shows a top, front and left side perspective view thereof; and,  
FIG. 8 shows a bottom, rear and left side perspective view thereof.

**1 Claim, 6 Drawing Sheets**

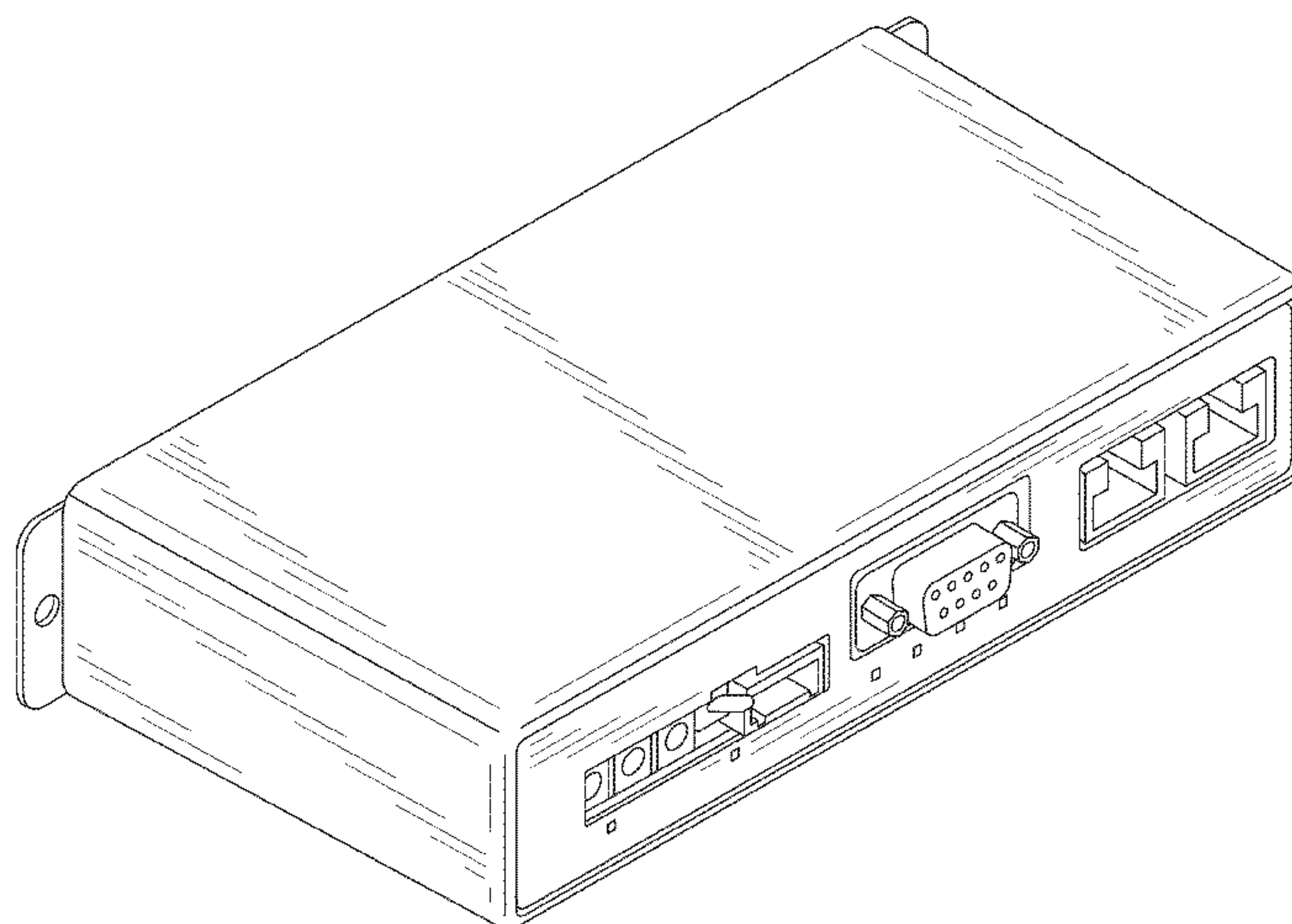


FIG. 1

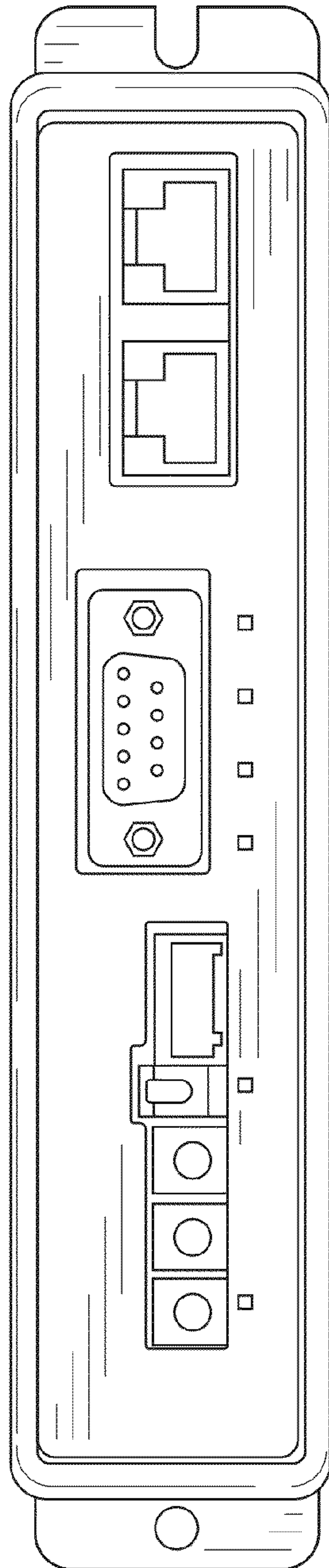


FIG. 2

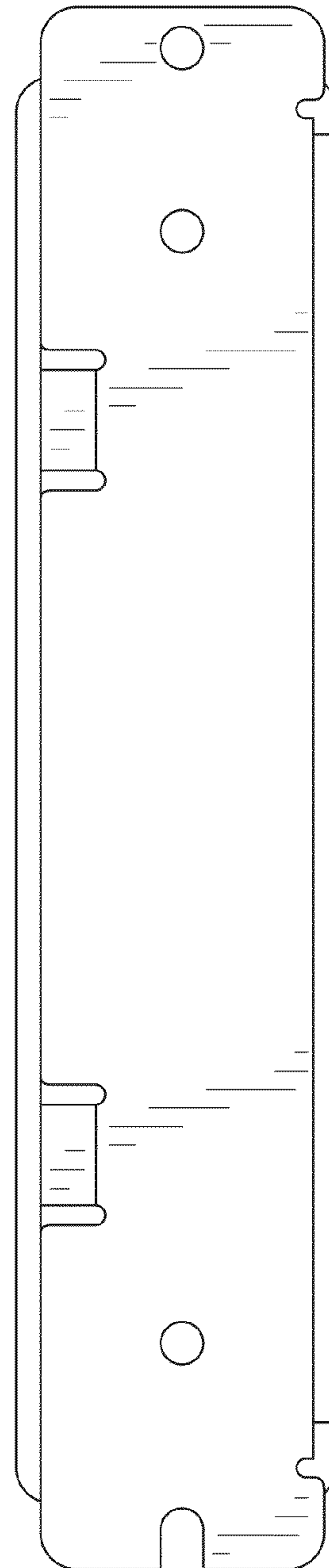


FIG. 3

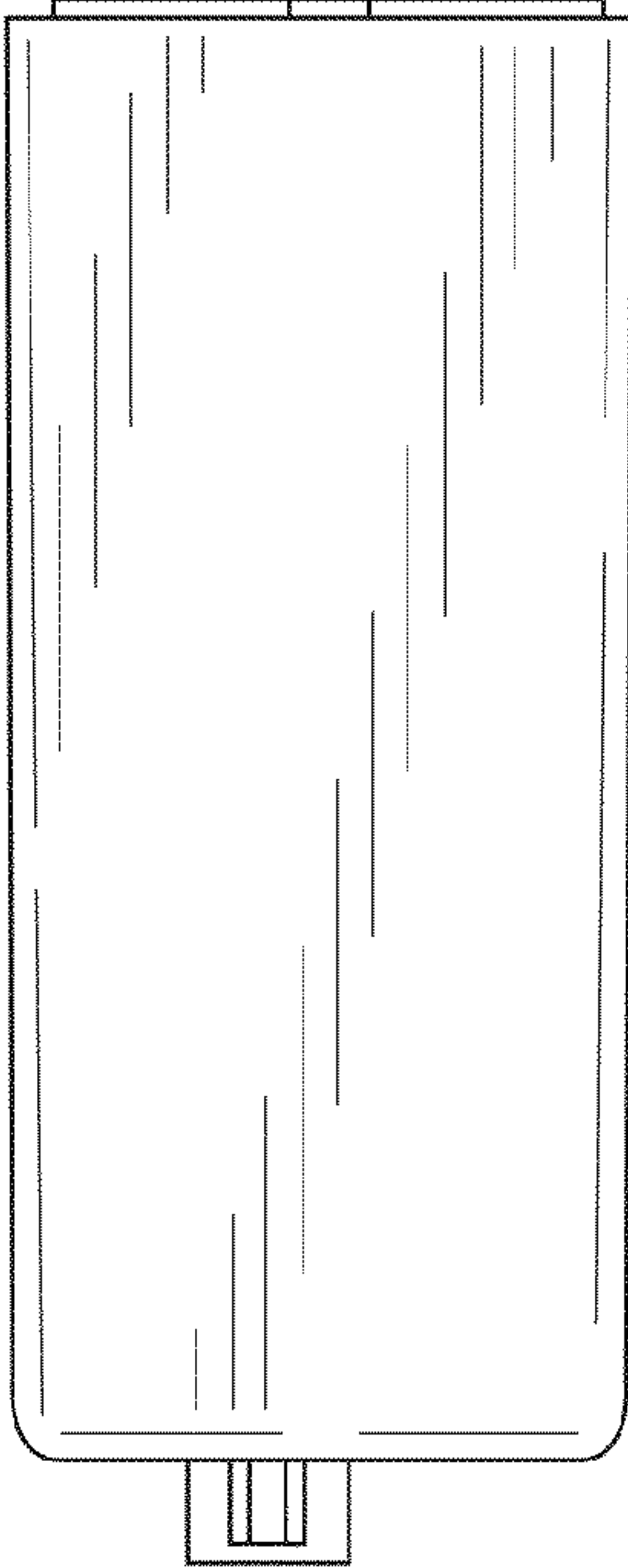


FIG. 4

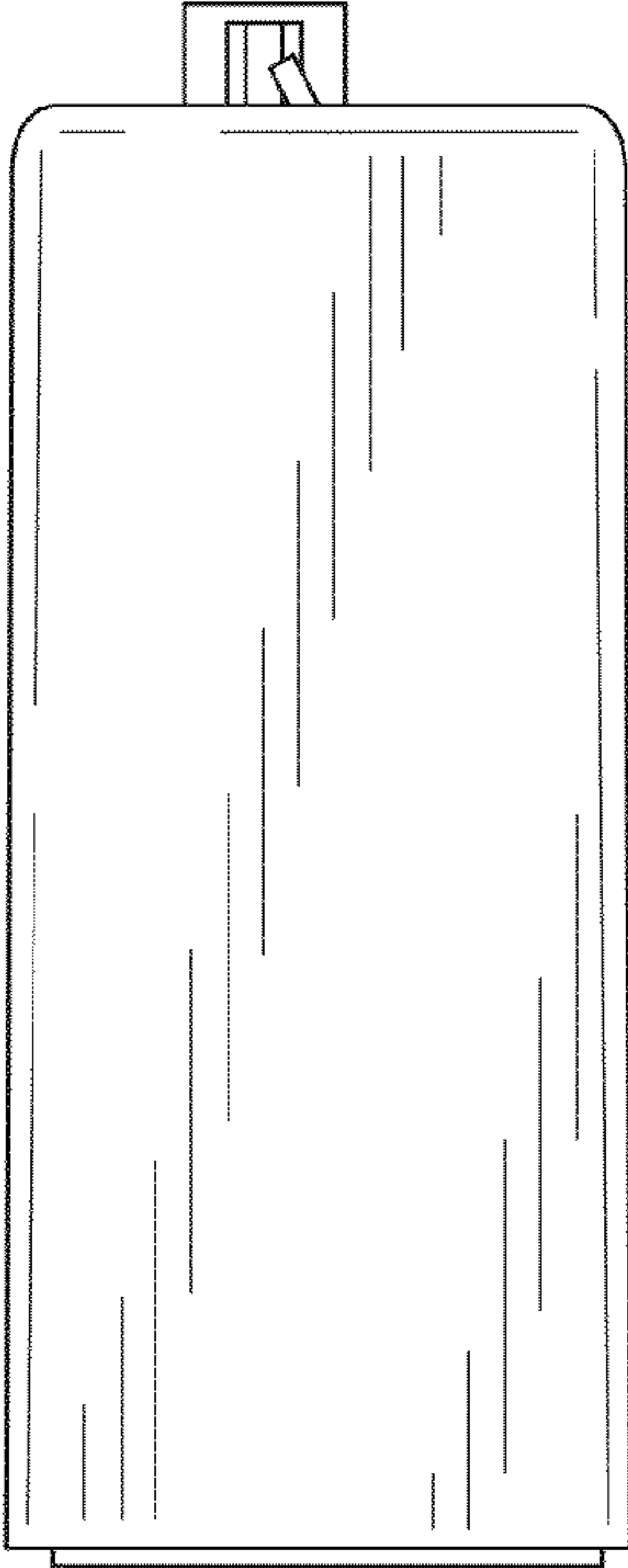


FIG. 5

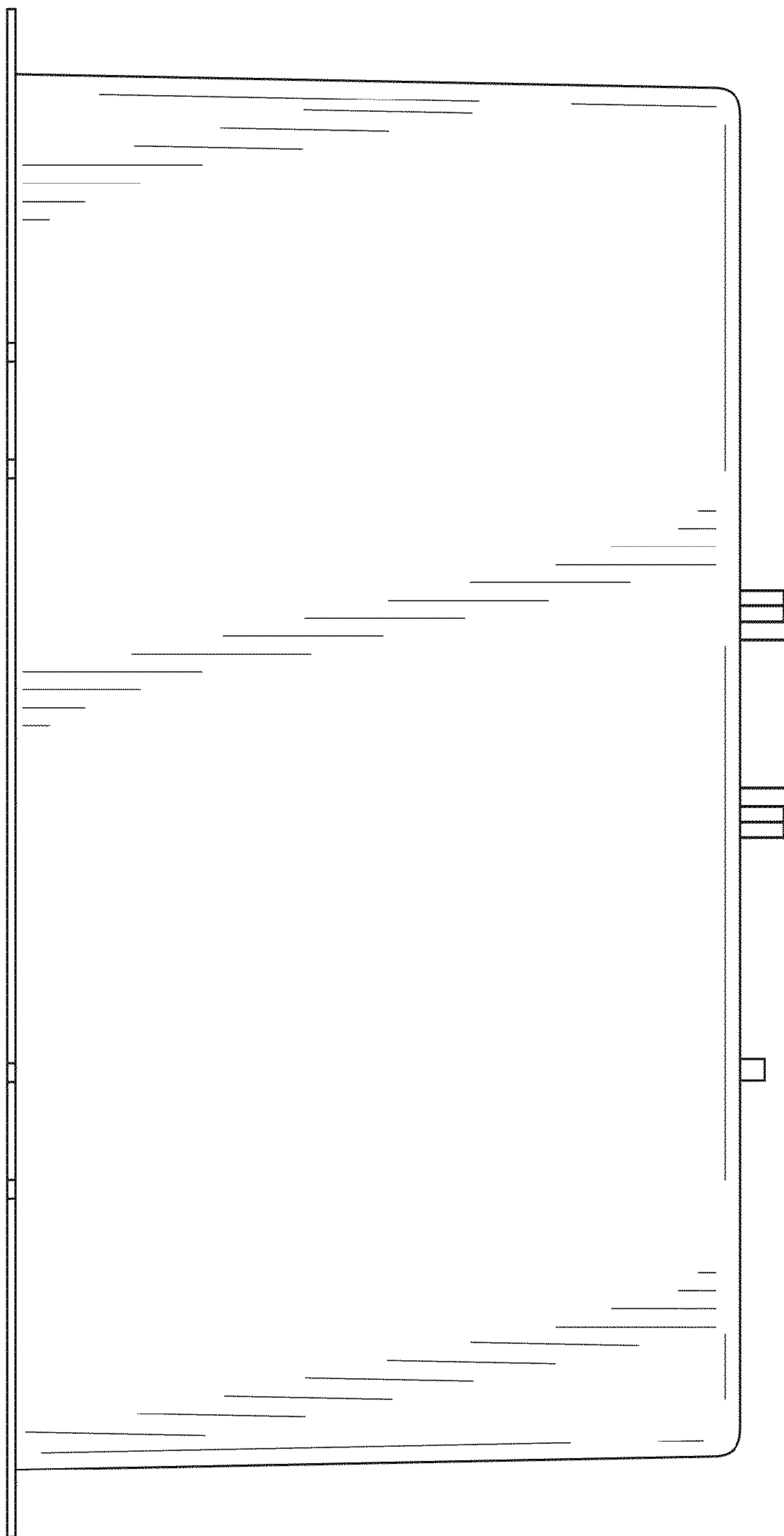


FIG. 6

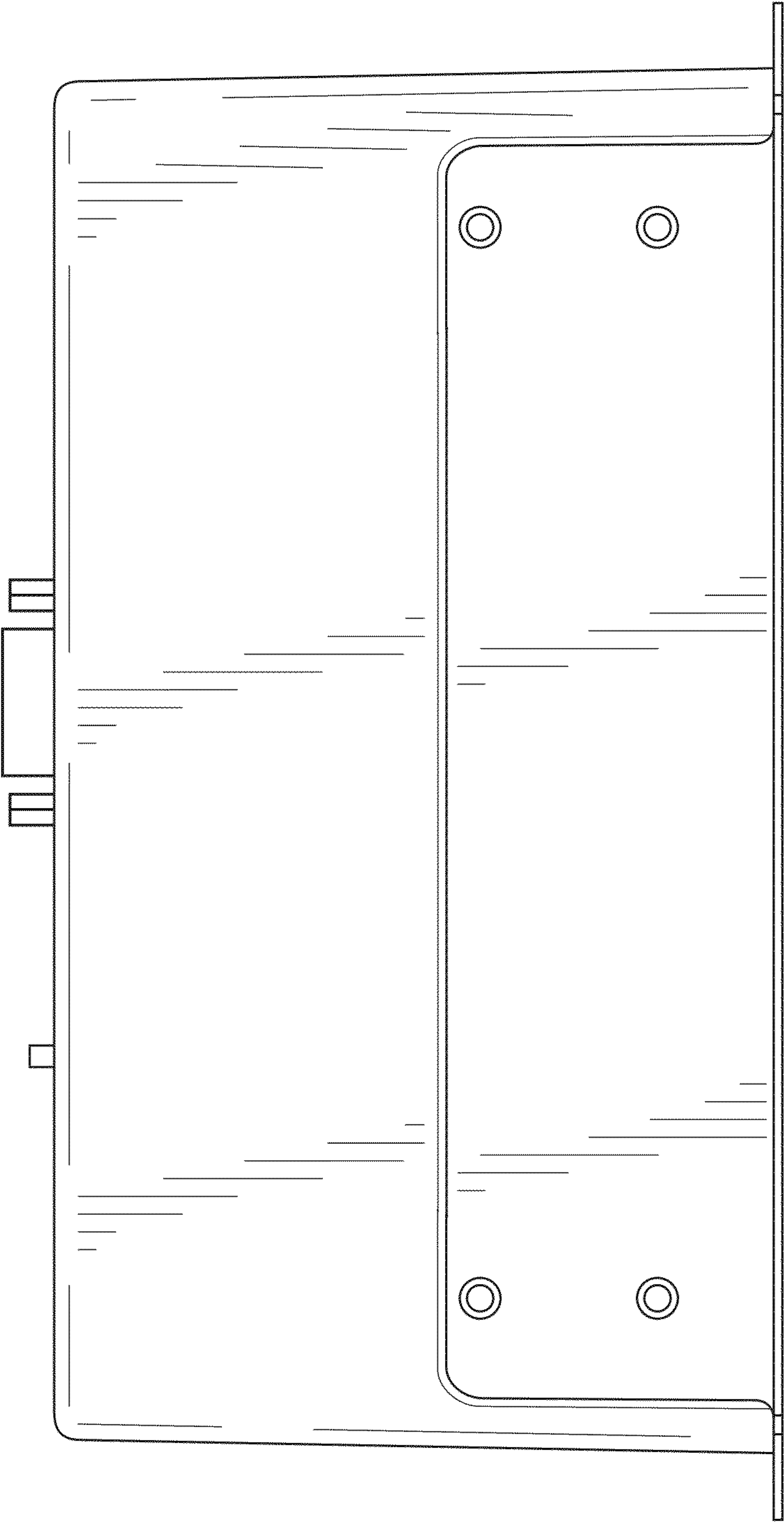




FIG. 7

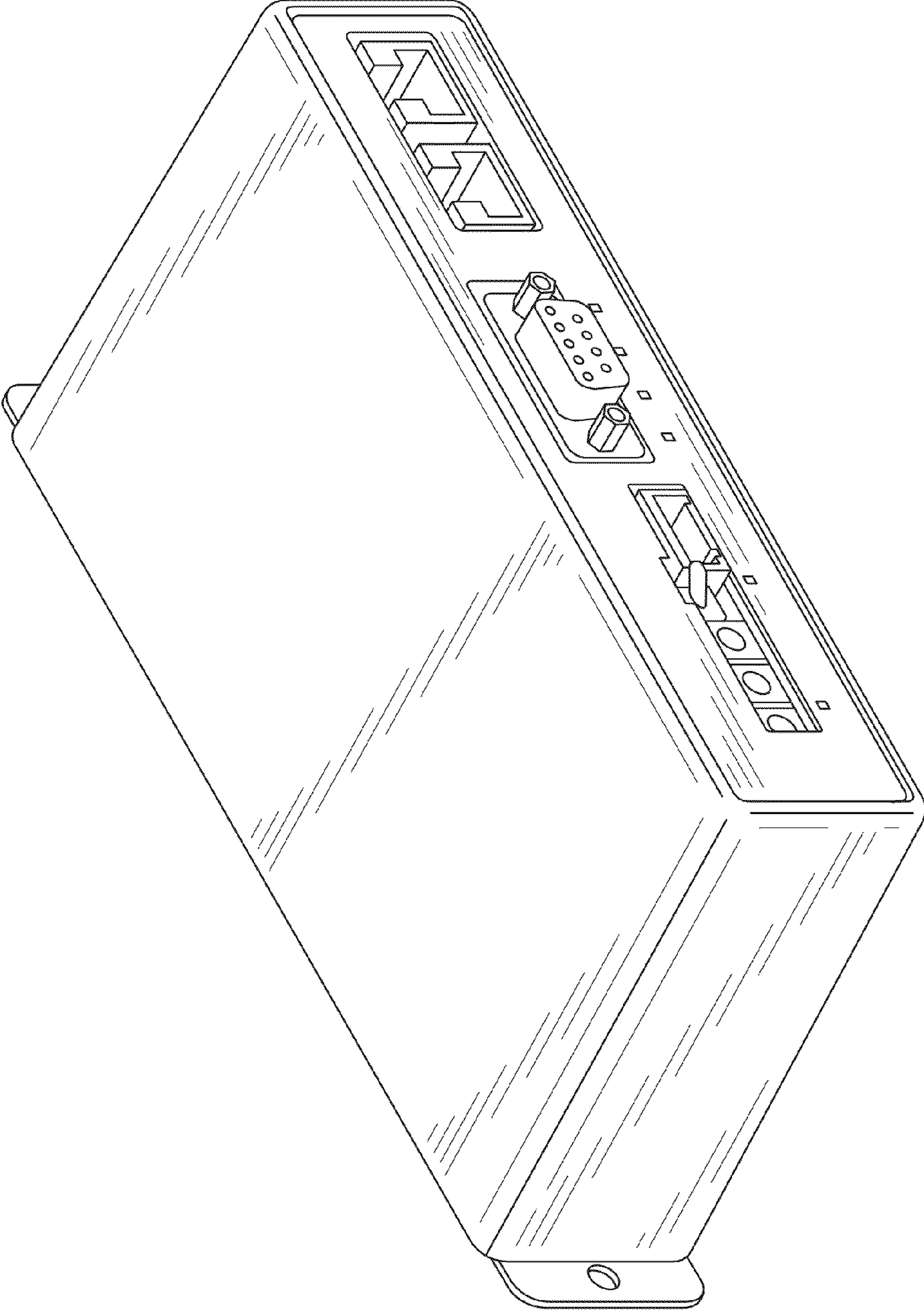


FIG. 8

