

US00D705169S

(12) **United States Design Patent**
Yamauchi et al.

(10) **Patent No.:** **US D705,169 S**
(45) **Date of Patent:** **** May 20, 2014**

(54) **OPTICAL FIBER CONNECTOR**

(71) Applicant: **Adamant Kogyo Co., Ltd.**, Tokyo (JP)

(72) Inventors: **Isao Yamauchi**, Kawaguchi (JP);
Nobuhiko Oda, Tokyo (JP); **Hiroshi Sano**, Kawaguchi (JP)

(73) Assignee: **Adamant Kogyo Co., Ltd.**, Tokyo (JP)

(**) Term: **14 Years**

(21) Appl. No.: **29/463,128**

(22) Filed: **Aug. 6, 2013**

(30) **Foreign Application Priority Data**

Feb. 21, 2013 (JP) 2013-003580

(51) **LOC (10) Cl.** **13-03**

(52) **U.S. Cl.**
USPC **D13/133**

(58) **Field of Classification Search**
USPC D13/133, 154, 184, 199; 385/53, 54,
385/55, 56, 76, 77, 84; 439/180, 246, 252,
439/378, 374, 892, 894
See application file for complete search history.

(56) **References Cited**

U.S. PATENT DOCUMENTS

D619,100 S * 7/2010 Larson et al. D13/154
D670,652 S * 11/2012 Chen et al. D13/133

D674,347 S * 1/2013 Shifris et al. D13/133
D676,384 S * 2/2013 Yang et al. D13/133
D680,075 S * 4/2013 Yang et al. D13/133
2011/0243506 A1 * 10/2011 Hsu 385/76
2013/0216188 A1 * 8/2013 Lin et al. 385/77
2013/0343708 A1 * 12/2013 Scadden et al. 385/77

* cited by examiner

Primary Examiner — Thomas Johannes

Assistant Examiner — Khawaja Anwar

(74) *Attorney, Agent, or Firm* — Manabu Kanesaka

(57) **CLAIM**

The ornamental design for an optical fiber connector, as shown and described.

DESCRIPTION

FIG. 1 is a front view of an optical fiber connector showing our new design, the rear view being a mirror image thereto; FIG. 2 is a right side view thereof; the left side view being a mirror image thereto; FIG. 3 is a top plan view thereof; FIG. 4 is a bottom plan view thereof; FIG. 5 is a sectional view taken along line 5-5 in FIG. 3, thereof; and, FIG. 6 is a perspective view thereof.

1 Claim, 6 Drawing Sheets

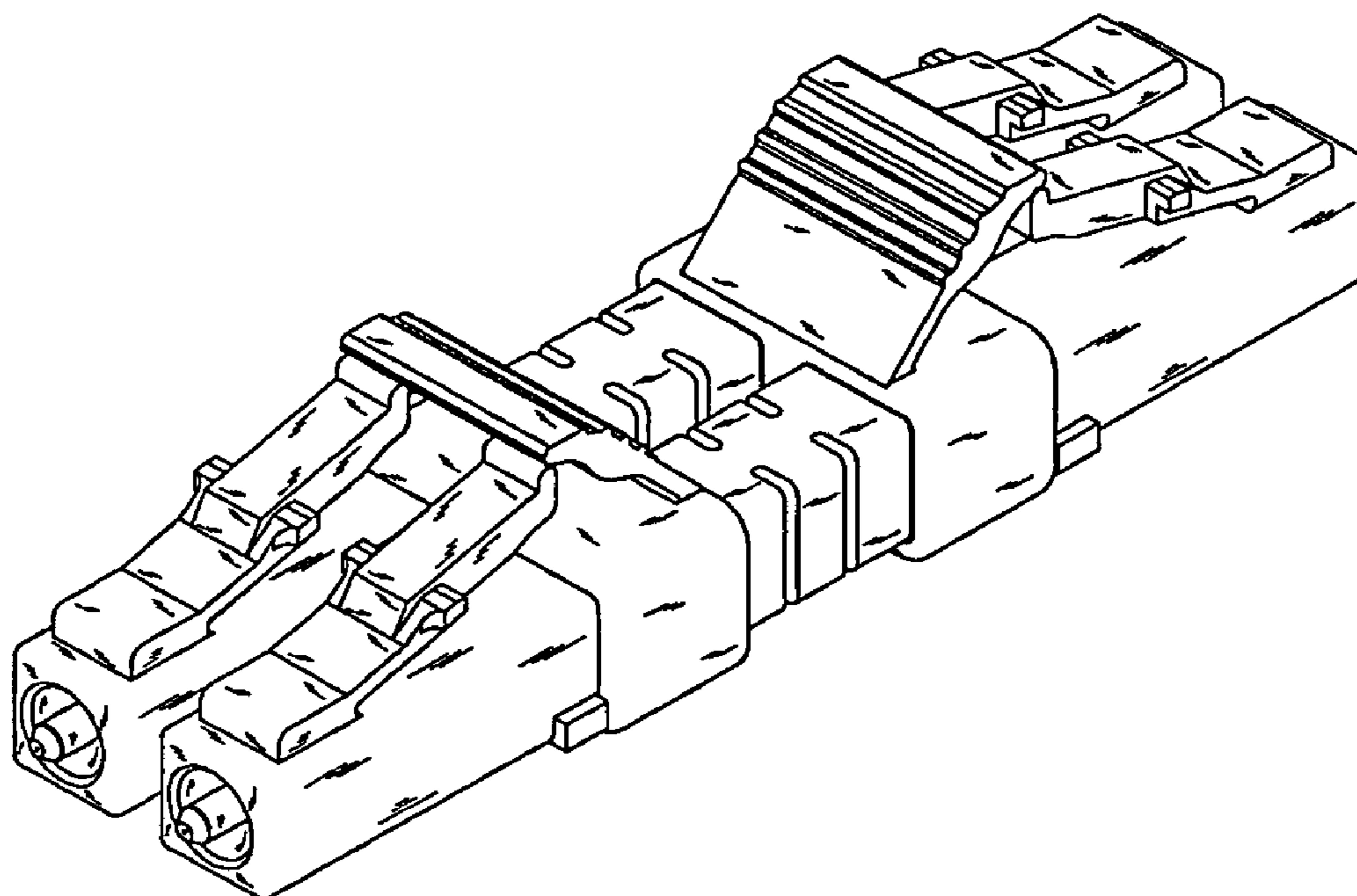


Fig. 1

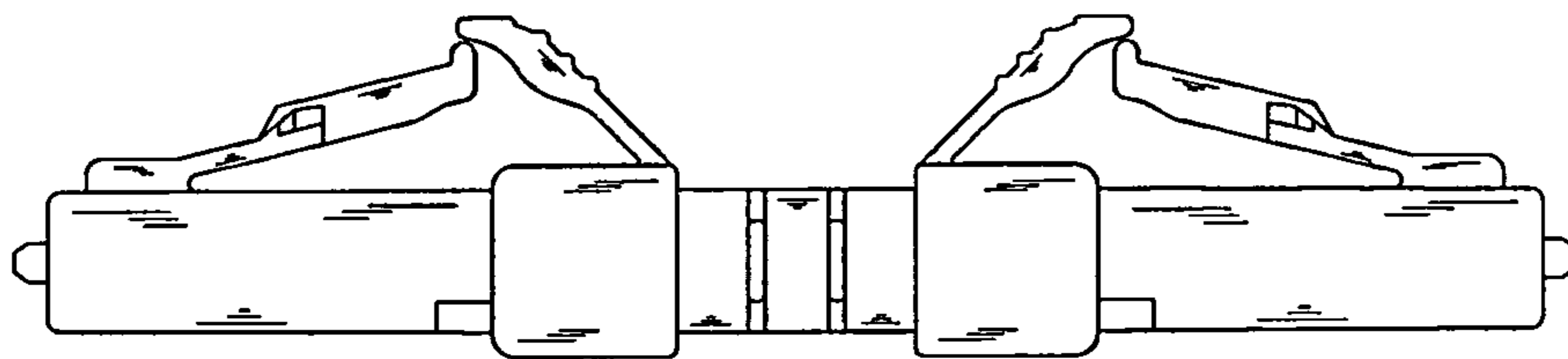


Fig. 2

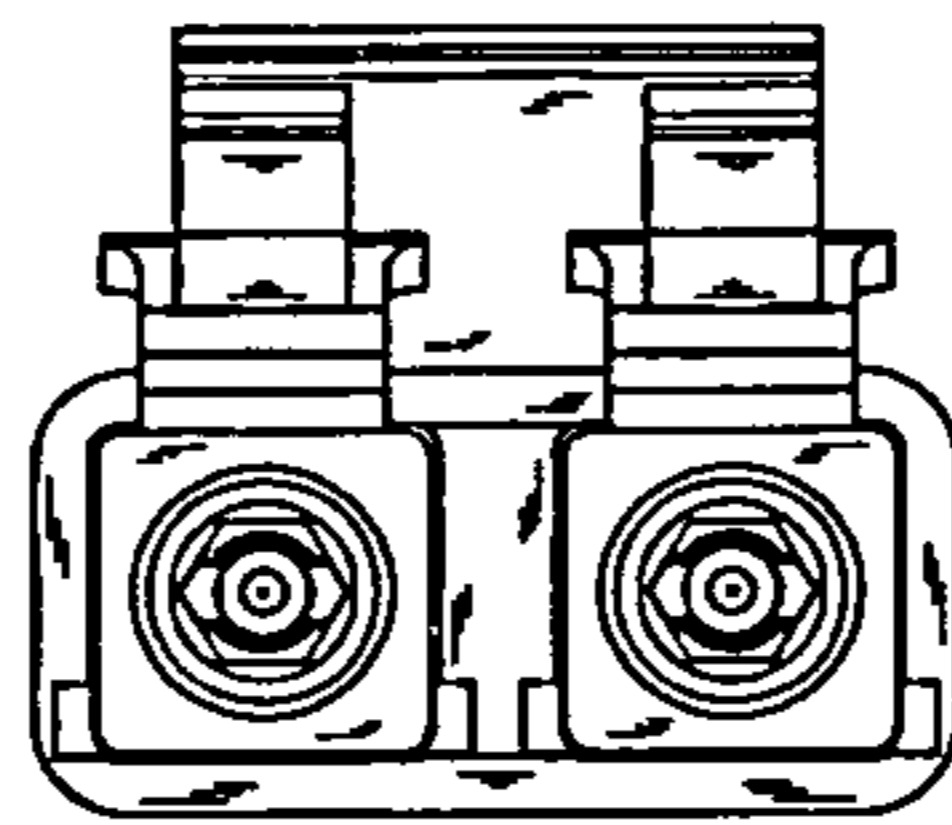


Fig. 3

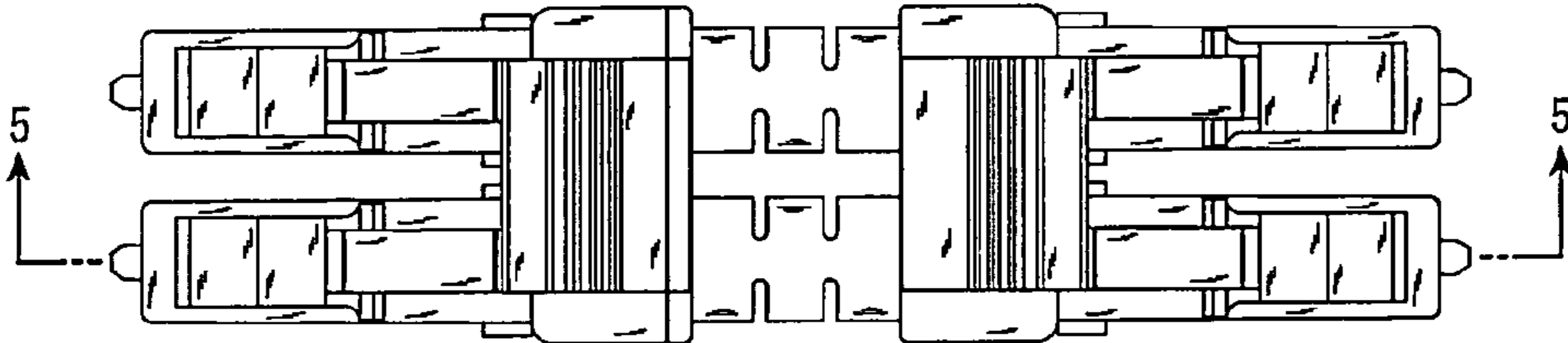


Fig. 4

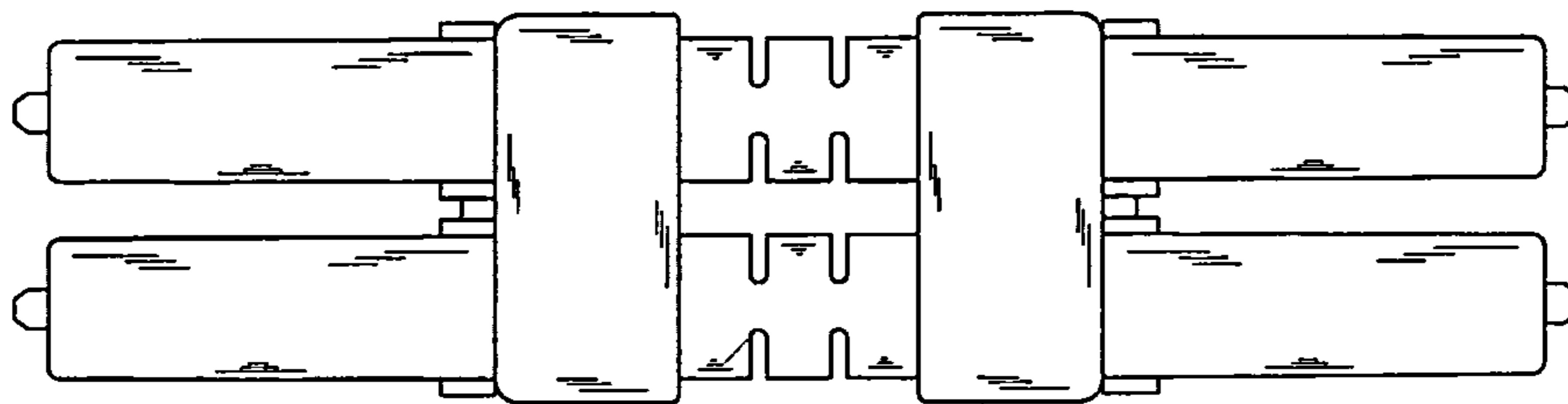


Fig. 5

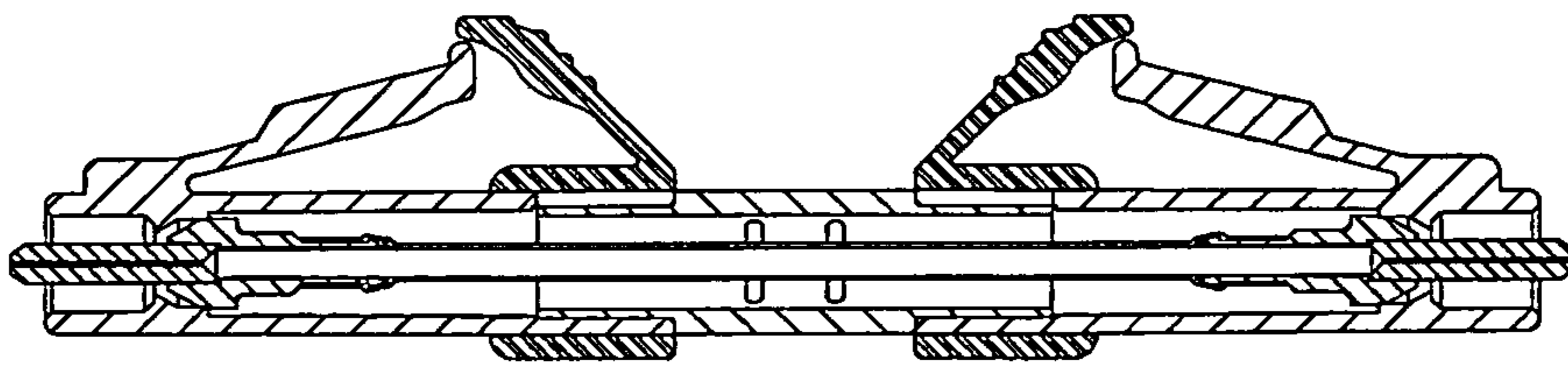


Fig. 6

