



US00D705167S

(12) **United States Design Patent**  
**Ilkhanov et al.**

(10) **Patent No.:** **US D705,167 S**

(45) **Date of Patent:** **\*\* May 20, 2014**

(54) **FEMALE CONNECTOR WITH CONTACT PADS**

(71) Applicants: **Azer Ilkhanov**, Brooklyn, NY (US);  
**Peter J. Burke**, East Northport, NY (US); **Sai Fung**, Melville, NY (US); **Leo Brenna**, Northport, NY (US)

(72) Inventors: **Azer Ilkhanov**, Brooklyn, NY (US);  
**Peter J. Burke**, East Northport, NY (US); **Sai Fung**, Melville, NY (US); **Leo Brenna**, Northport, NY (US)

(73) Assignee: **Bren-Tronics, Inc.**, Commack, NY (US)

(\*\*) Term: **14 Years**

(21) Appl. No.: **29/439,316**

(22) Filed: **Dec. 10, 2012**

(51) **LOC (10) Cl.** ..... **13-03**

(52) **U.S. Cl.**  
USPC ..... **D13/120**

(58) **Field of Classification Search**  
USPC ..... D13/118, 119, 120, 133, 134, 146, 147,  
D13/154, 149, 184, 199; D15/9; 439/206,  
439/278, 353, 374, 378, 379, 488, 527, 533,  
439/586, 595, 597, 598, 600, 682, 685, 752,  
439/894; 277/650

See application file for complete search history.

(56) **References Cited**

**U.S. PATENT DOCUMENTS**

5,496,194 A \* 3/1996 Huss, Jr. .... 439/595  
D574,856 S \* 8/2008 Chu ..... D15/9

D574,857 S \* 8/2008 Chu ..... D15/9  
D589,063 S \* 3/2009 Chu ..... D15/9  
D618,176 S \* 6/2010 Kato et al. .... D13/146  
D621,420 S \* 8/2010 Jiang ..... D15/9  
7,980,886 B2 \* 7/2011 Liu ..... 439/488  
D648,748 S \* 11/2011 Chu ..... D15/9  
8,257,101 B2 \* 9/2012 Ichio ..... 439/206  
D678,914 S \* 3/2013 Chen ..... D15/9  
D685,003 S \* 6/2013 Chen ..... D15/9  
D685,004 S \* 6/2013 Chen ..... D15/9  
D694,273 S \* 11/2013 Chen ..... D15/9  
2013/0241160 A1 \* 9/2013 Ilkhanov et al. .... 277/650

\* cited by examiner

*Primary Examiner* — Adir Aronovich

*Assistant Examiner* — Ramzi Almatrahi

(74) *Attorney, Agent, or Firm* — Keusey & Associates, P.C.

(57) **CLAIM**

The ornamental design for a female connector with contact pads, as shown and described.

**DESCRIPTION**

FIG. 1 is a front, top and left side perspective view of a female connector with contact pads showing our new design.

FIG. 2 is a top plan view thereof.

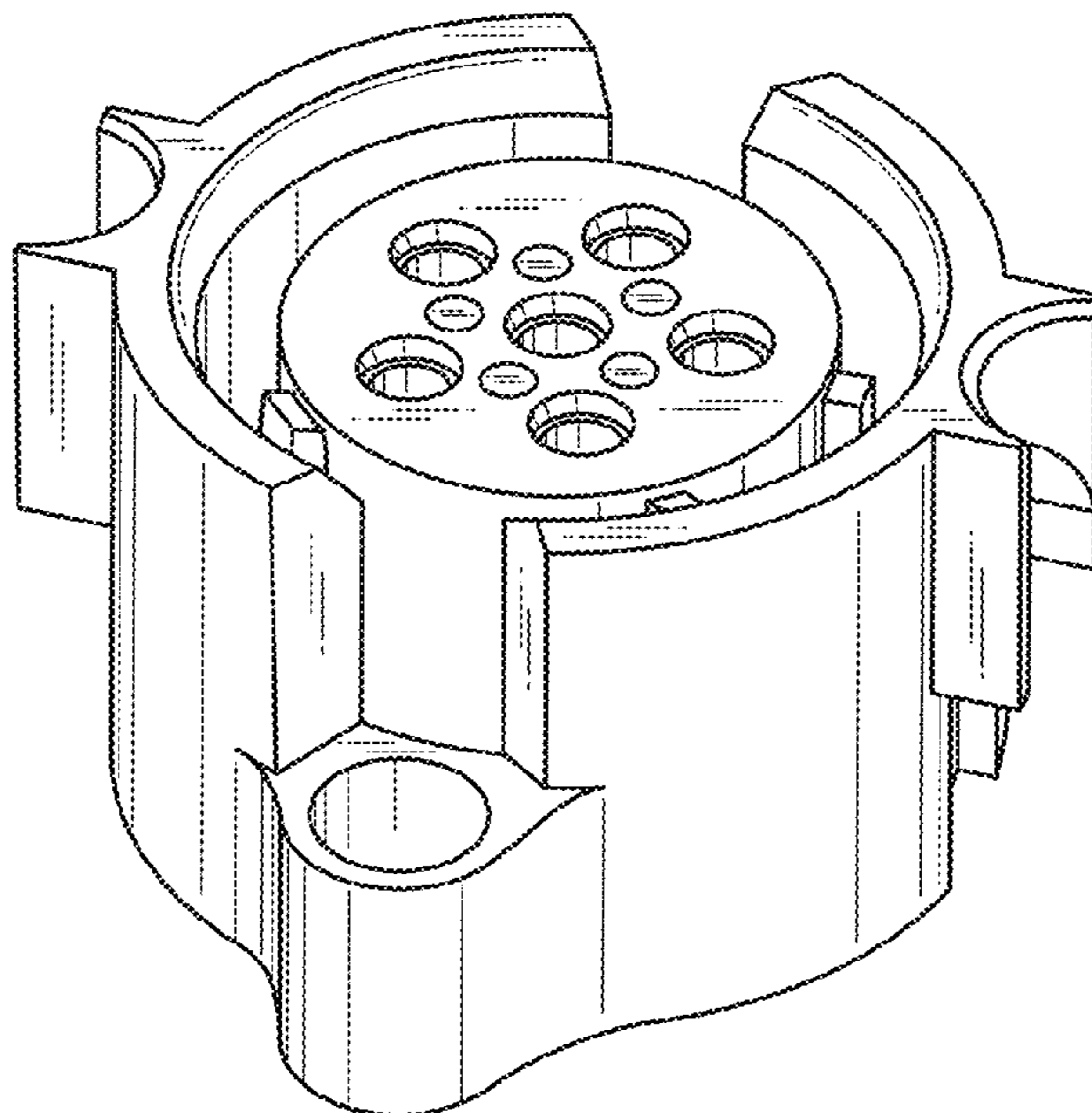
FIG. 3 is a front side elevational view thereof, the undisclosed rear side elevational view being identical thereto;

FIG. 4 is a bottom plan view thereof; and,

FIG. 5 is a left side elevational view thereof, the undisclosed right side elevational view being identical thereto.

The broken lines of FIG. 4 are included to show environmental structure and form no part of the claimed design.

**1 Claim, 2 Drawing Sheets**



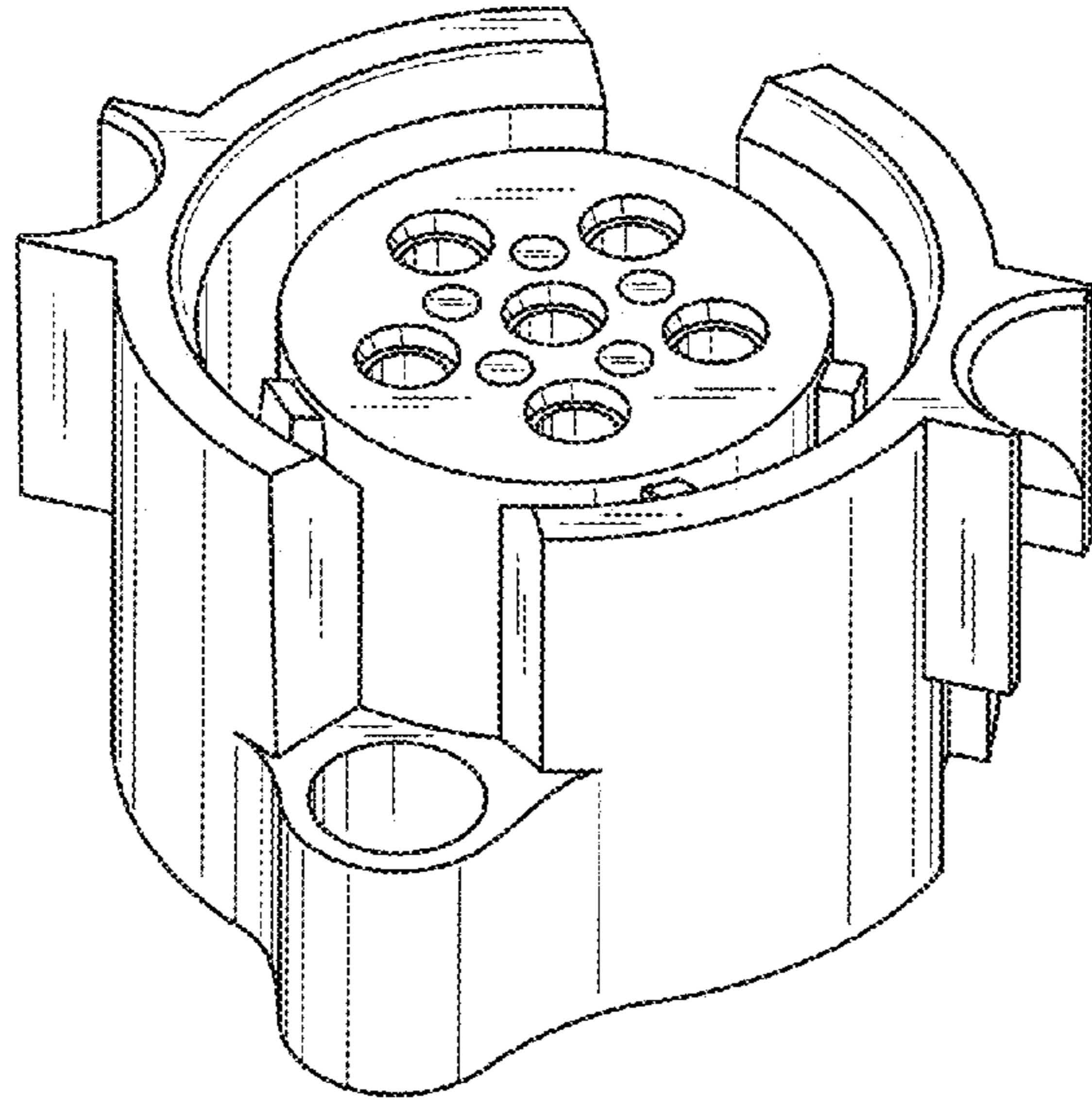


FIG. 1

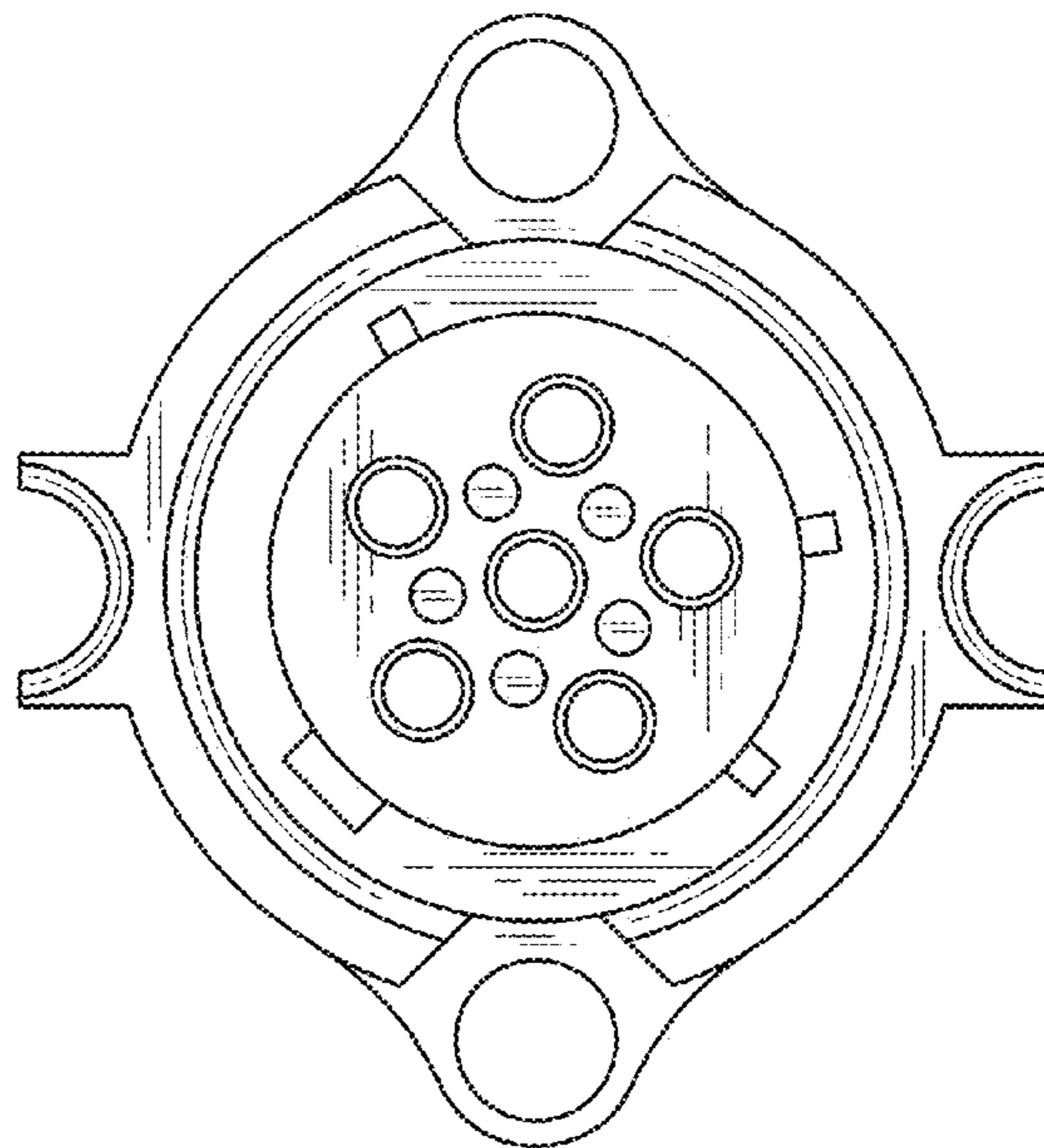


FIG. 2

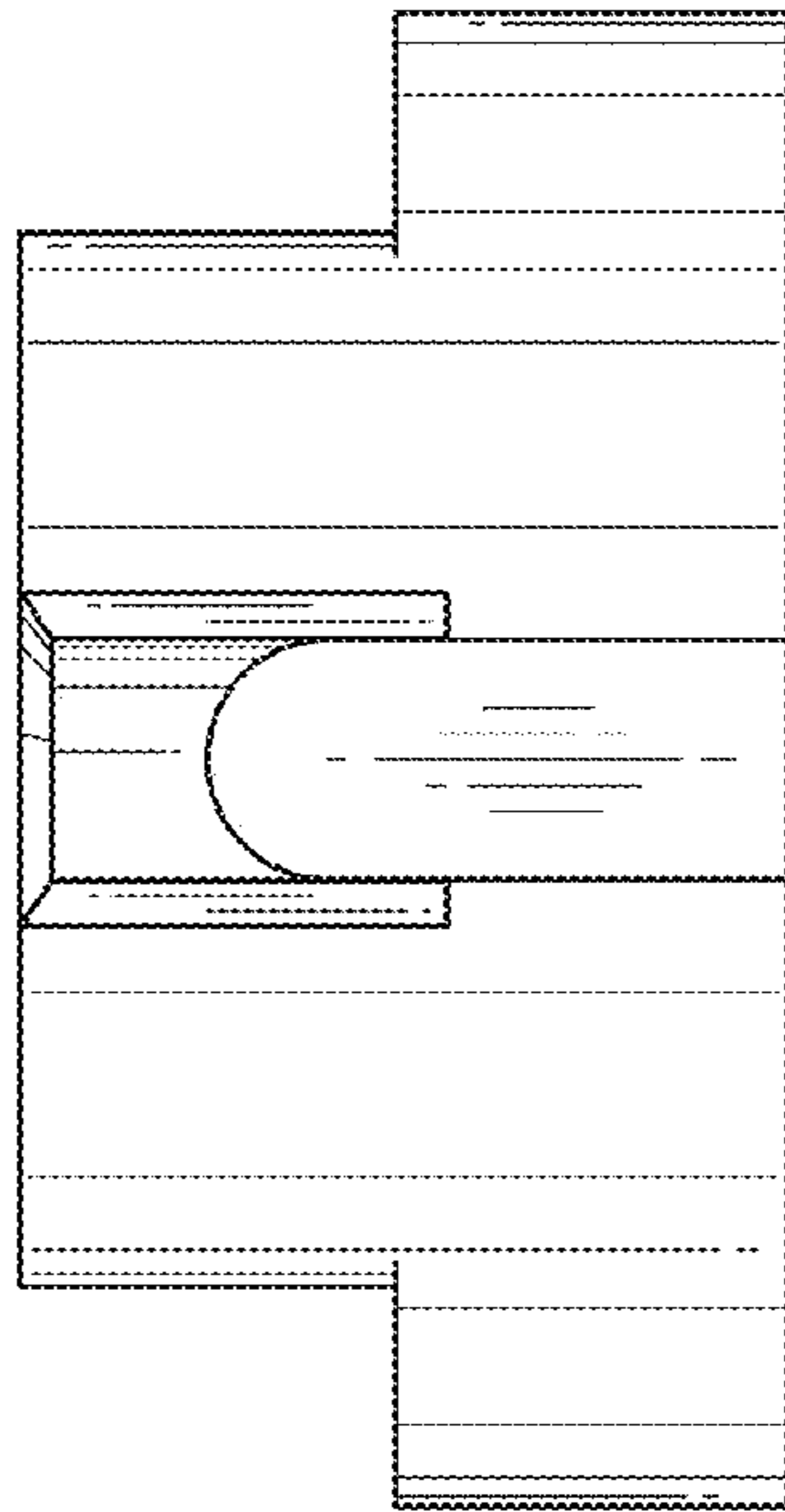


FIG. 3

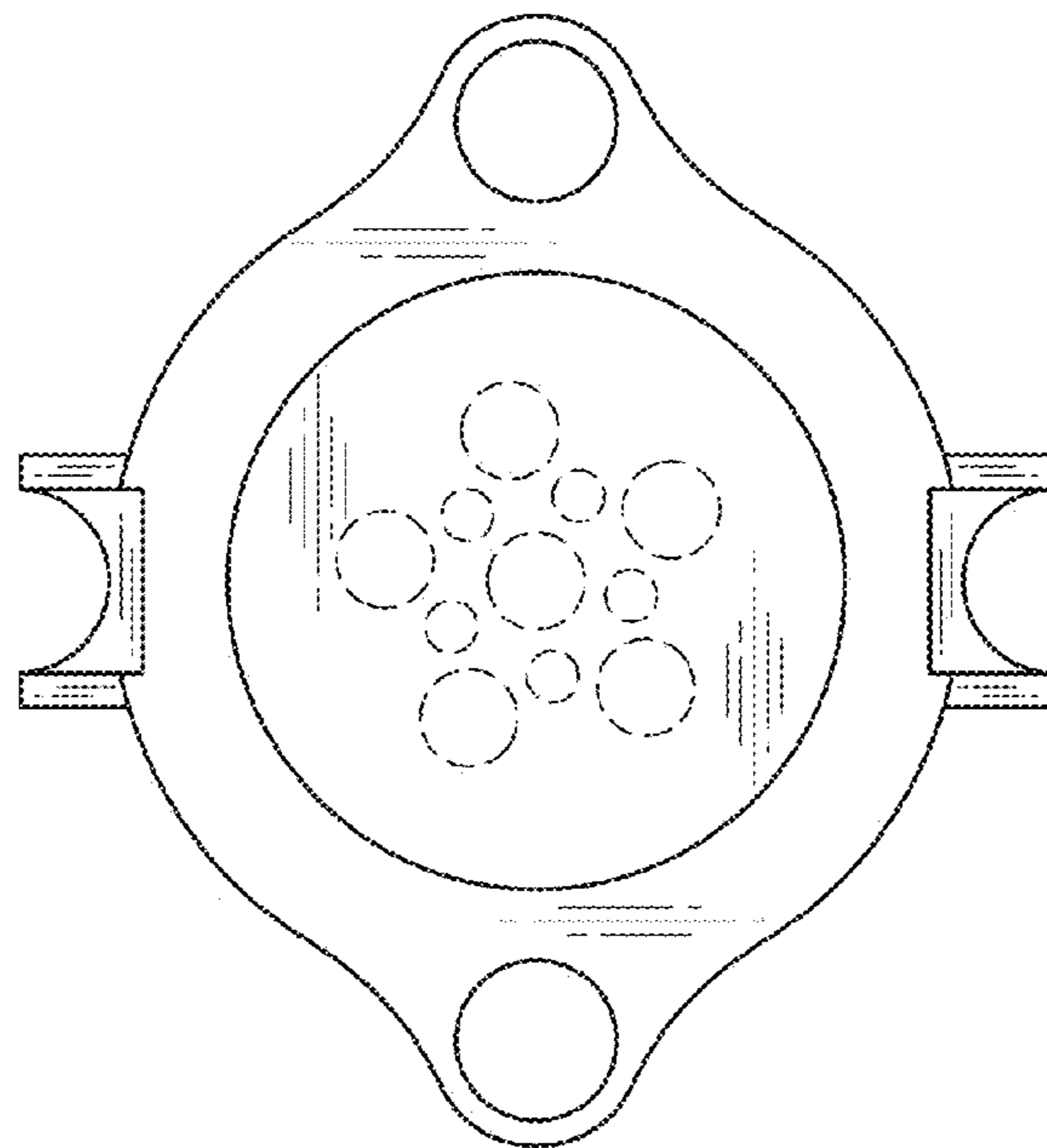


FIG. 4

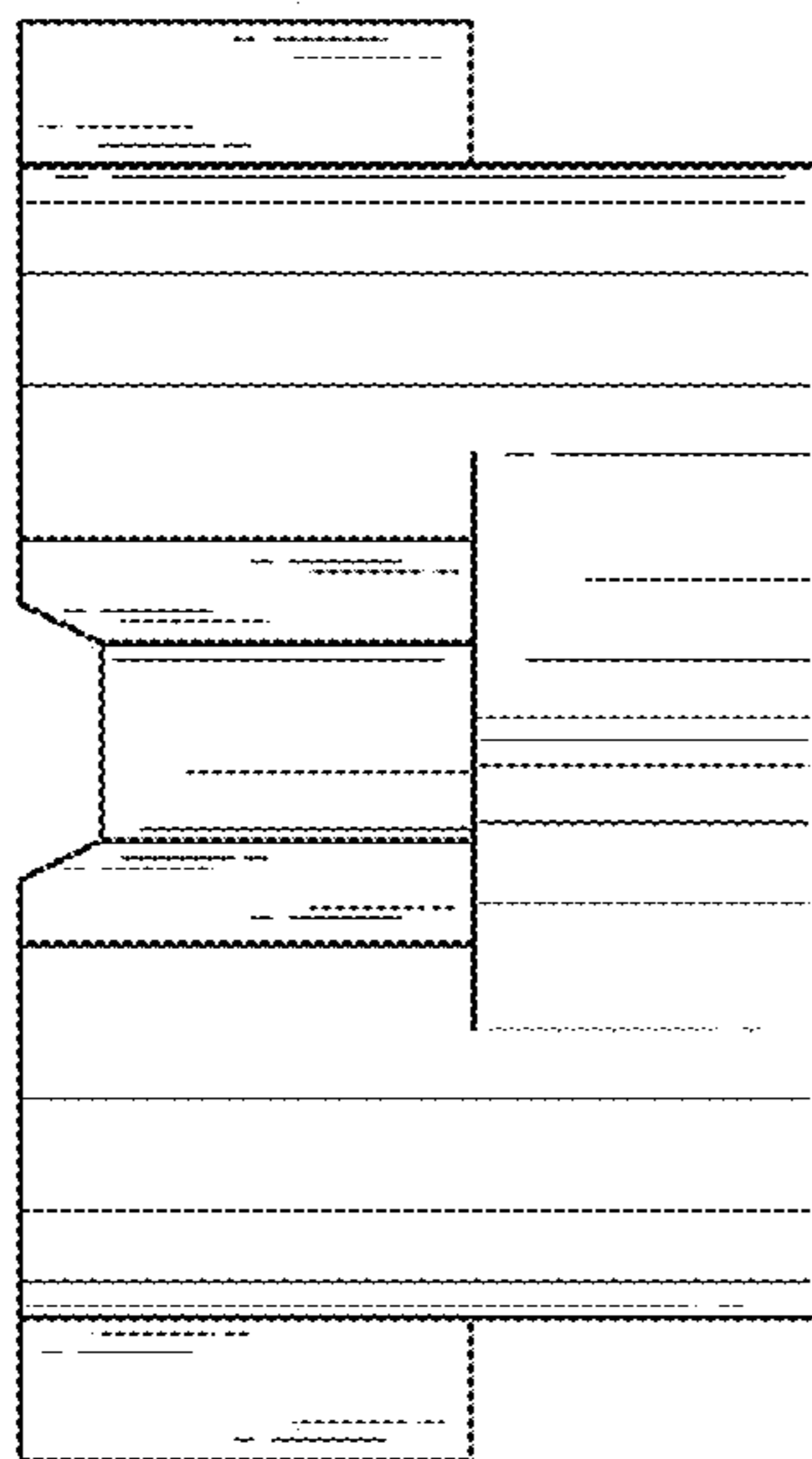


FIG. 5