



US00D705165S

(12) **United States Design Patent**
Canon

(10) **Patent No.:** **US D705,165 S**

(45) **Date of Patent:** **** May 20, 2014**

- (54) **ELECTRIC GENERATOR**
- (71) Applicant: **C.E. Niehoff & Co.**, Evanston, IL (US)
- (72) Inventor: **Ninos Canon**, Niles, IL (US)
- (73) Assignee: **C.E. Niehoff & Co.**, Evanston, IL (US)
- (**) Term: **14 Years**

- D563,871 S 3/2008 Becker et al.
- D574,325 S 8/2008 Naghshineh
- D587,194 S 2/2009 Pourkermani et al.
- D610,088 S 2/2010 Becker et al.
- D618,170 S 6/2010 Miller
- D618,615 S 6/2010 Basic et al.
- D650,332 S 12/2011 Pourkermani et al.
- D665,353 S 8/2012 Balaban
- D680,074 S 4/2013 Miller
- D680,493 S 4/2013 Basic et al.

- (21) Appl. No.: **29/472,258**
- (22) Filed: **Nov. 11, 2013**
- (51) **LOC (10) Cl.** **13-01**
- (52) **U.S. Cl.**
USPC **D13/114**
- (58) **Field of Classification Search**
USPC D13/114, 112, 113, 122, 184, 199;
D15/1, 5; 290/36 R, 38 R, 39; 310/10,
310/20, 40 R, 40 MM, 42, 68 D, 75 R, 80, 83,
310/88, 89, 98, 109, 114
See application file for complete search history.

OTHER PUBLICATIONS

C.E. Niehoff & Co. Brushless Alternators Product Catalog, 2001.
C. E. Niehoff & Co. Brushless Alternators, 2013 <http://www.ceniehoff.com>.

* cited by examiner

Primary Examiner — Derrick Holland
(74) *Attorney, Agent, or Firm* — Ahmadshahi & Associates

(57) **CLAIM**
The ornamental design for an electric generator, as shown and described.

(56) **References Cited**

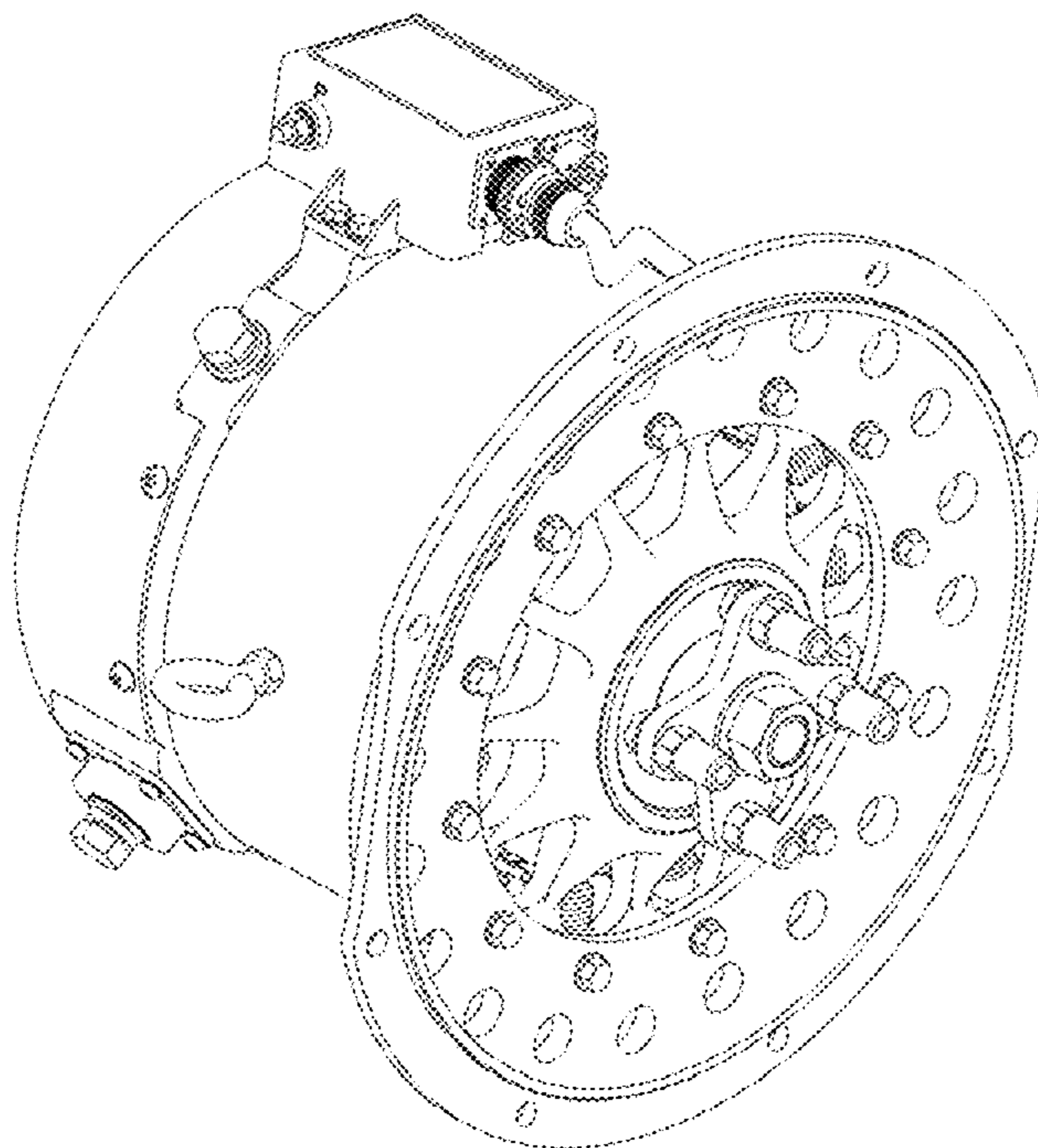
U.S. PATENT DOCUMENTS

- D180,370 S * 5/1957 Kerr D13/114
- D217,675 S * 5/1970 Tomkinson D13/114
- D236,005 S * 7/1975 Baumann D13/114
- D306,280 S * 2/1990 Pfeifer et al. D13/114
- 5,005,281 A * 4/1991 Burns 29/596
- D398,285 S 9/1998 Becker et al.
- D398,286 S 9/1998 Becker et al.
- D425,020 S 5/2000 Becker et al.
- D548,696 S 8/2007 Pourkermani et al.
- D563,870 S 3/2008 Naghshineh

DESCRIPTION

FIG. 1 is a front view of an electric generator according to the present invention.
FIG. 2 is a rear view thereof.
FIG. 3 is a first side view thereof.
FIG. 4 is a second side view thereof.
FIG. 5 is a top view thereof.
FIG. 6 is a bottom view thereof.
FIG. 7 is a first isometric view thereof; and,
FIG. 8 is a second isometric view thereof.

1 Claim, 8 Drawing Sheets



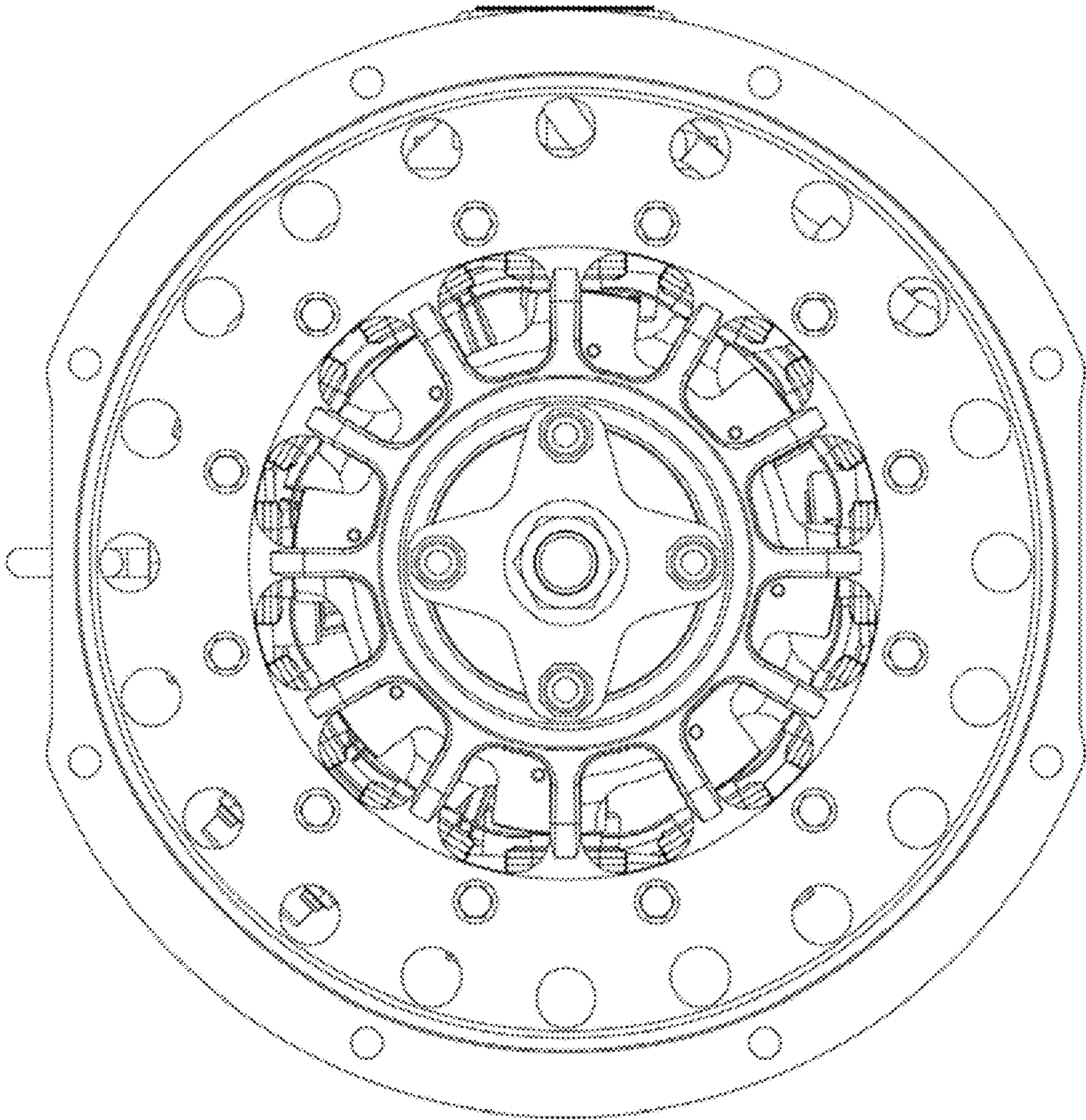


FIG. 1

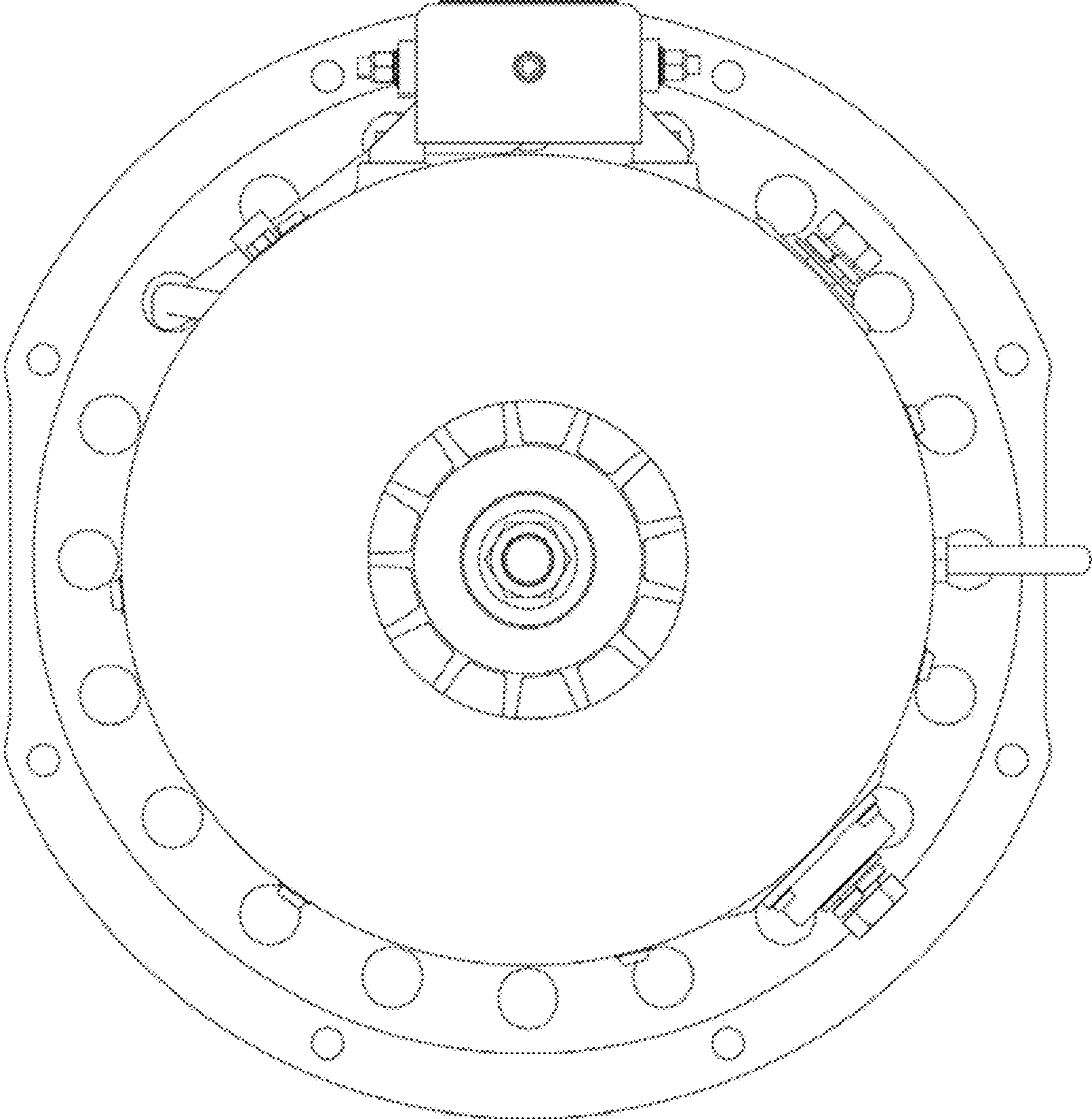


FIG. 2

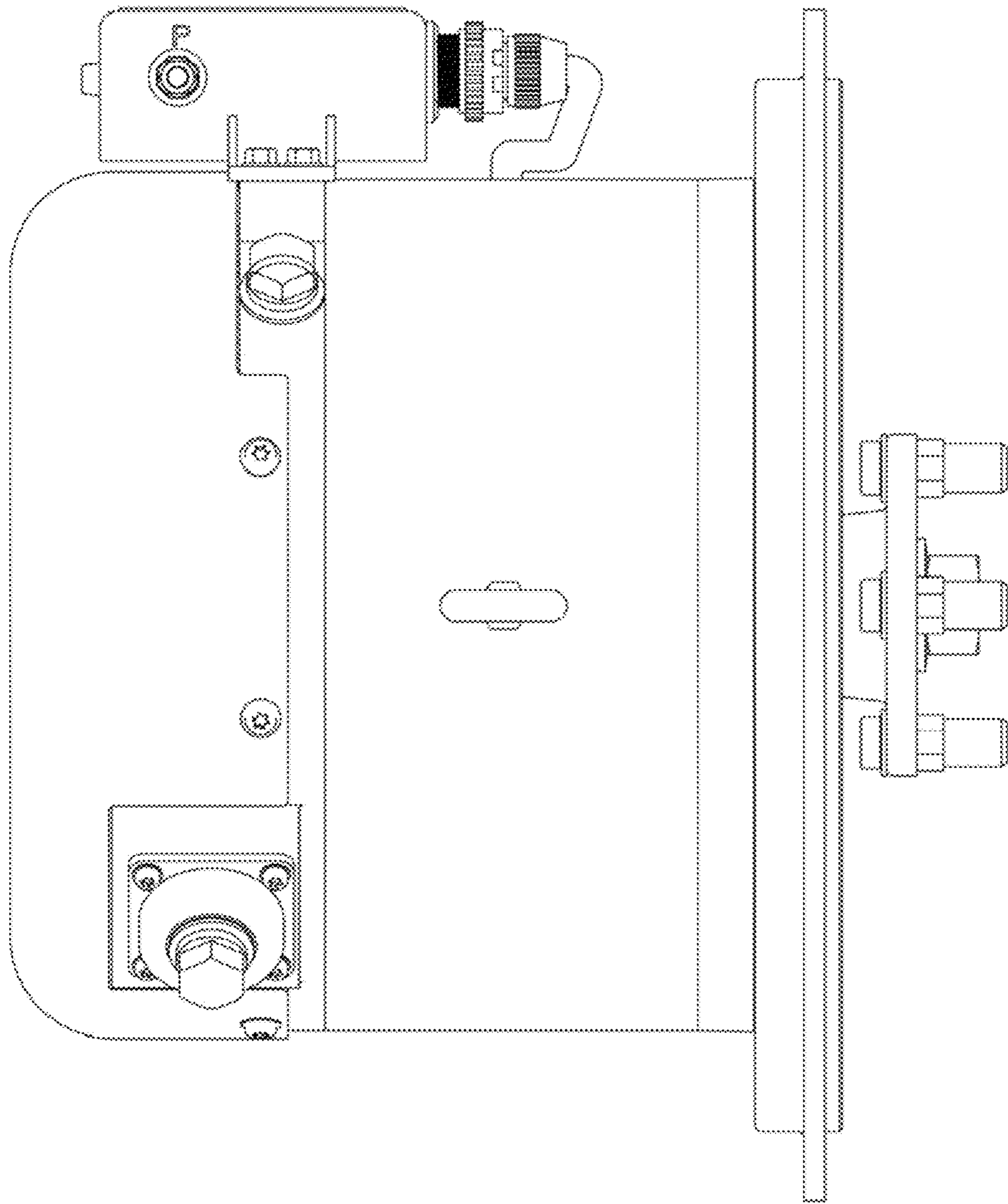


FIG. 3

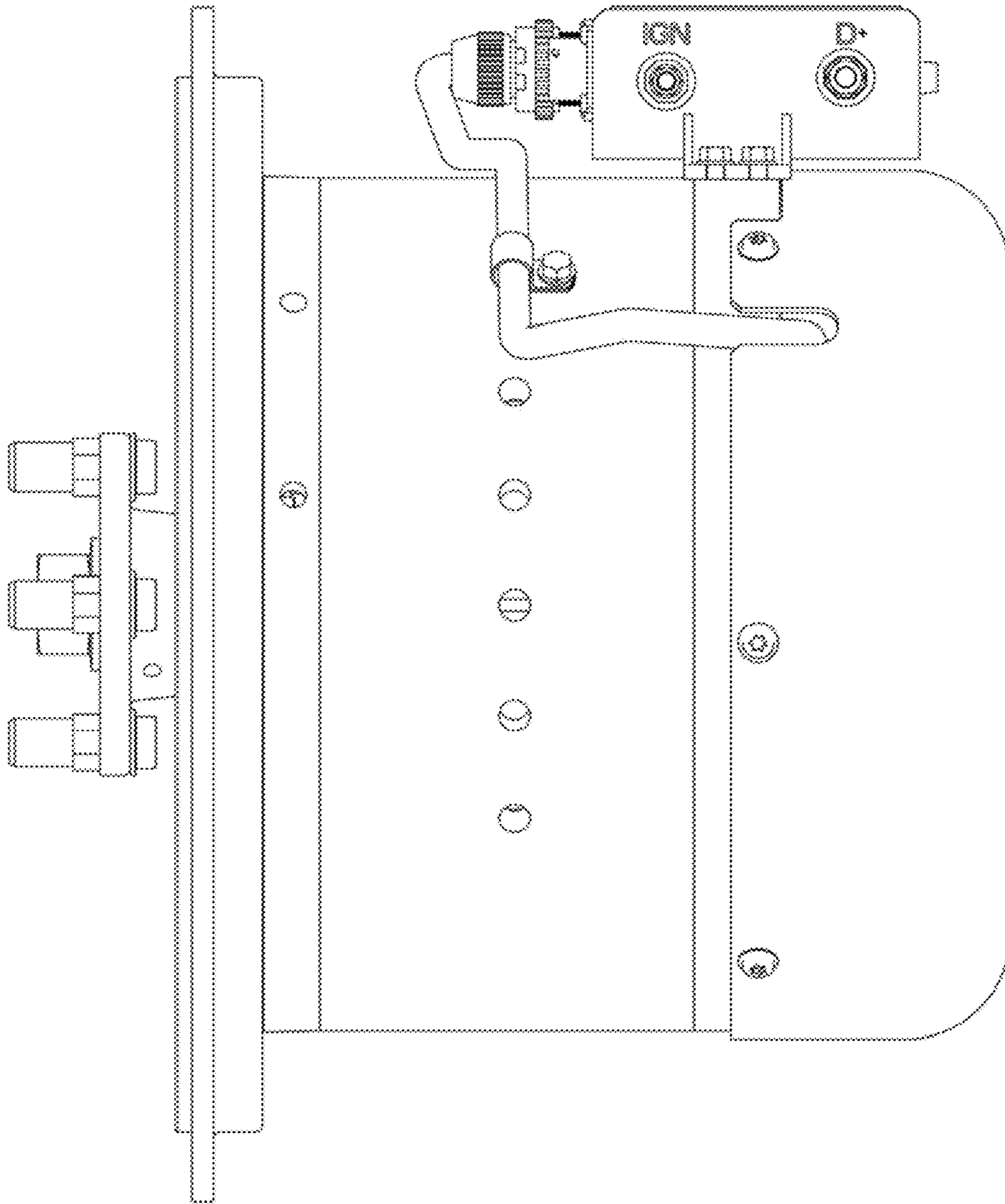


FIG. 4

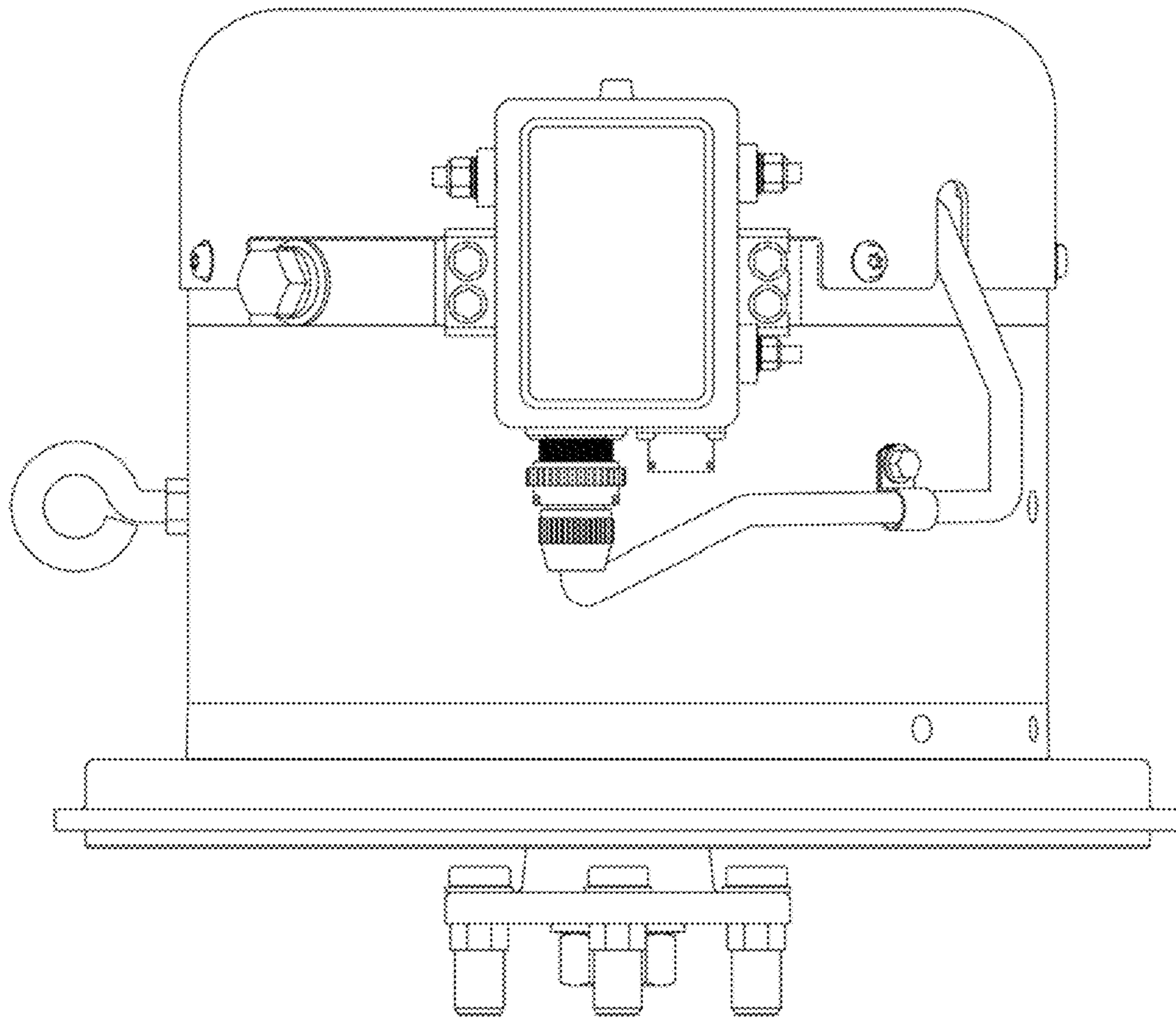


FIG. 5

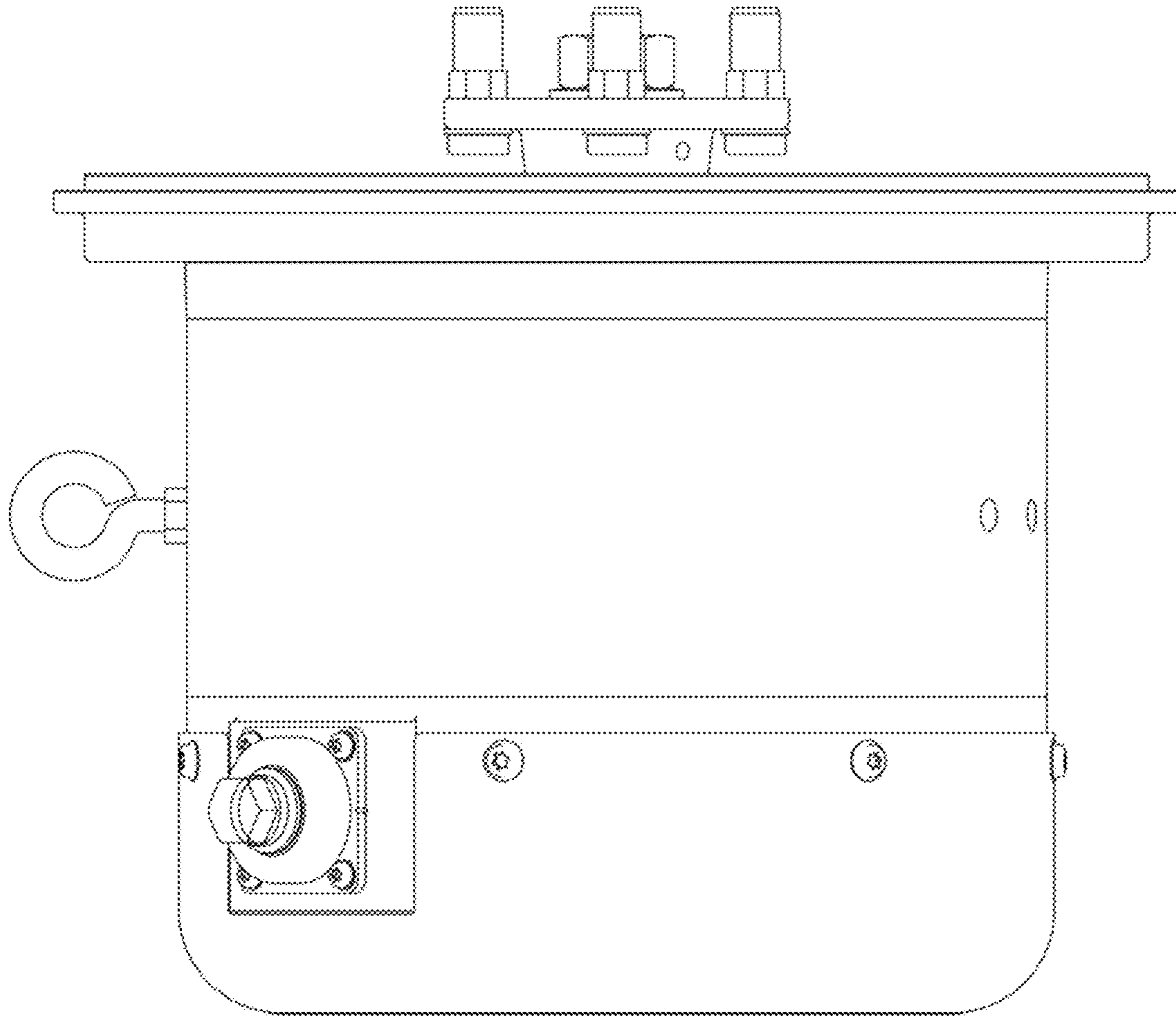


FIG. 6

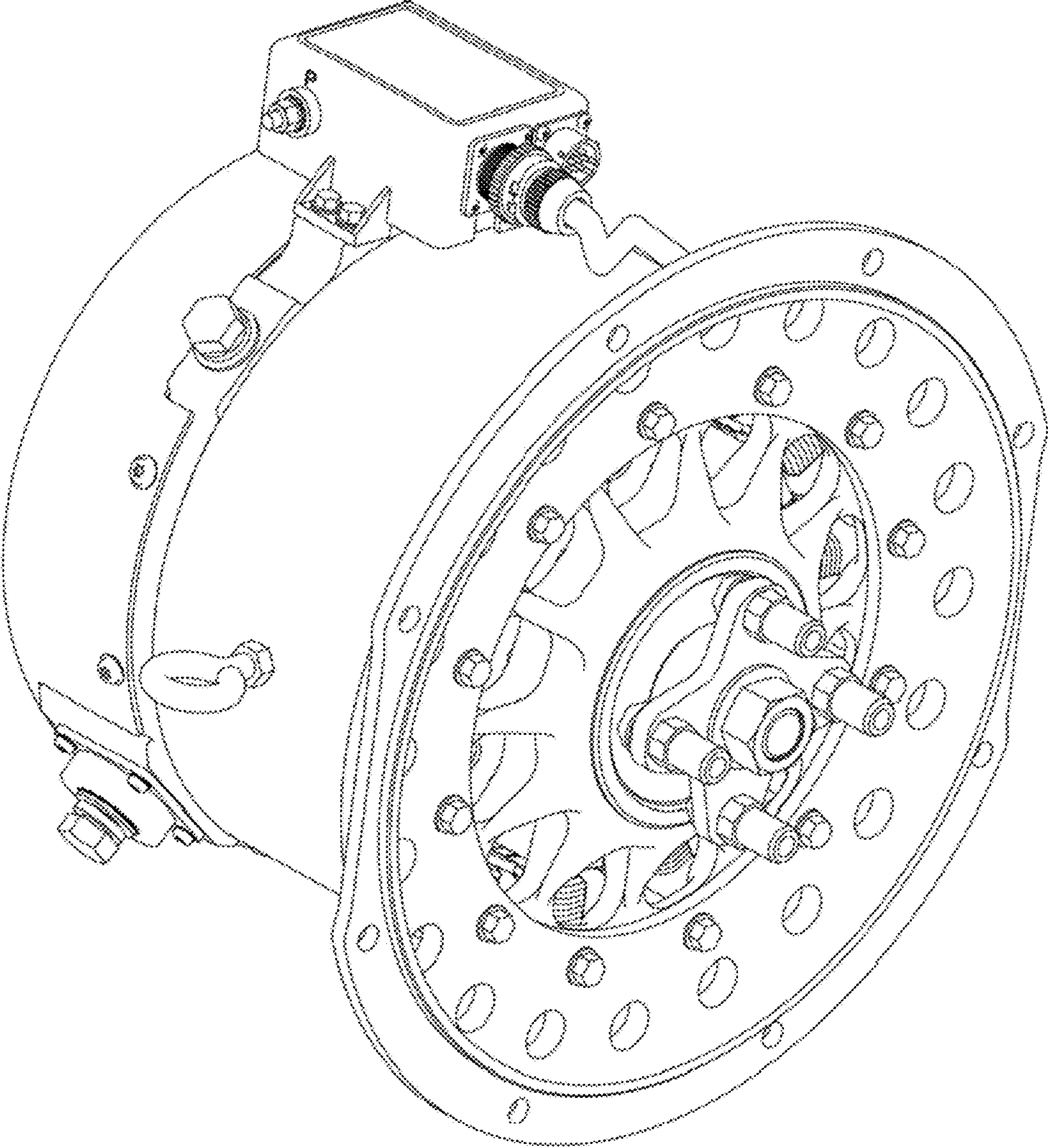


FIG. 7

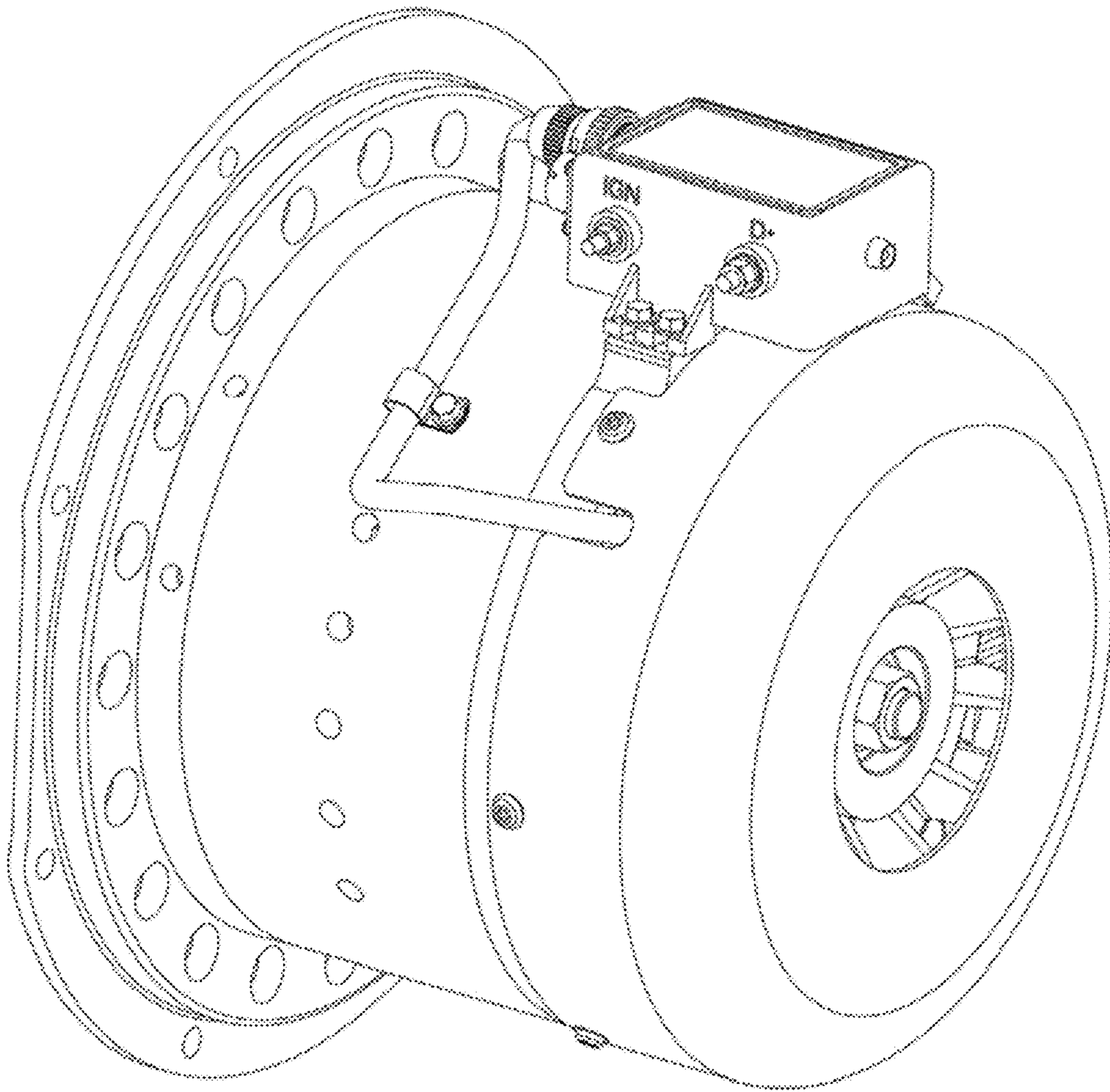


FIG. 8