



US00D705164S

(12) **United States Design Patent**
Tsai

(10) **Patent No.:** **US D705,164 S**

(45) **Date of Patent:** **** May 20, 2014**

(54) **POWER SYSTEM**

(71) Applicant: **Fu-Sheng Tsai**, Taoyuan County (TW)

(72) Inventor: **Fu-Sheng Tsai**, Taoyuan County (TW)

(**) Term: **14 Years**

(21) Appl. No.: **29/454,848**

(22) Filed: **May 15, 2013**

(30) **Foreign Application Priority Data**

Nov. 15, 2012 (CN) 2012 3 0553925

(51) **LOC (10) CL.** **13-01**

(52) **U.S. CL.**
USPC **D13/112; D13/116**

(58) **Field of Classification Search**
USPC D13/116, 101, 106, 107, 110, 112, 118,
D13/119, 122, 184, 199; D16/239, 250;
290/1 A, 1 B; 307/64, 150, 151, 153;
320/103, 104, 105, 107, 111; D3/201,
D3/270, 272, 276, 279, 281, 902; D34/12,
D34/24, 25; 190/18 A, 18 R
See application file for complete search history.

(56) **References Cited**

U.S. PATENT DOCUMENTS

D314,743 S * 2/1991 Ishii D13/116
5,121,715 A * 6/1992 Nogami et al. 123/41.7
D351,726 S * 10/1994 Lin D3/276
D407,065 S * 3/1999 Chang D13/110
D423,451 S * 4/2000 Heckenast et al. D13/110
D465,085 S * 11/2002 Chen D3/279
D486,446 S * 2/2004 Hriscu et al. D13/110

D579,870 S * 11/2008 Dunbar et al. D13/116
D601,342 S * 10/2009 Choi D3/279
D626,067 S * 10/2010 Seropjan D13/116
D641,318 S * 7/2011 Maeda D13/116
2002/0014753 A1* 2/2002 Cheng 280/47.26

* cited by examiner

Primary Examiner — Derrick Holland

(74) *Attorney, Agent, or Firm* — Jianq Chyun IP Office

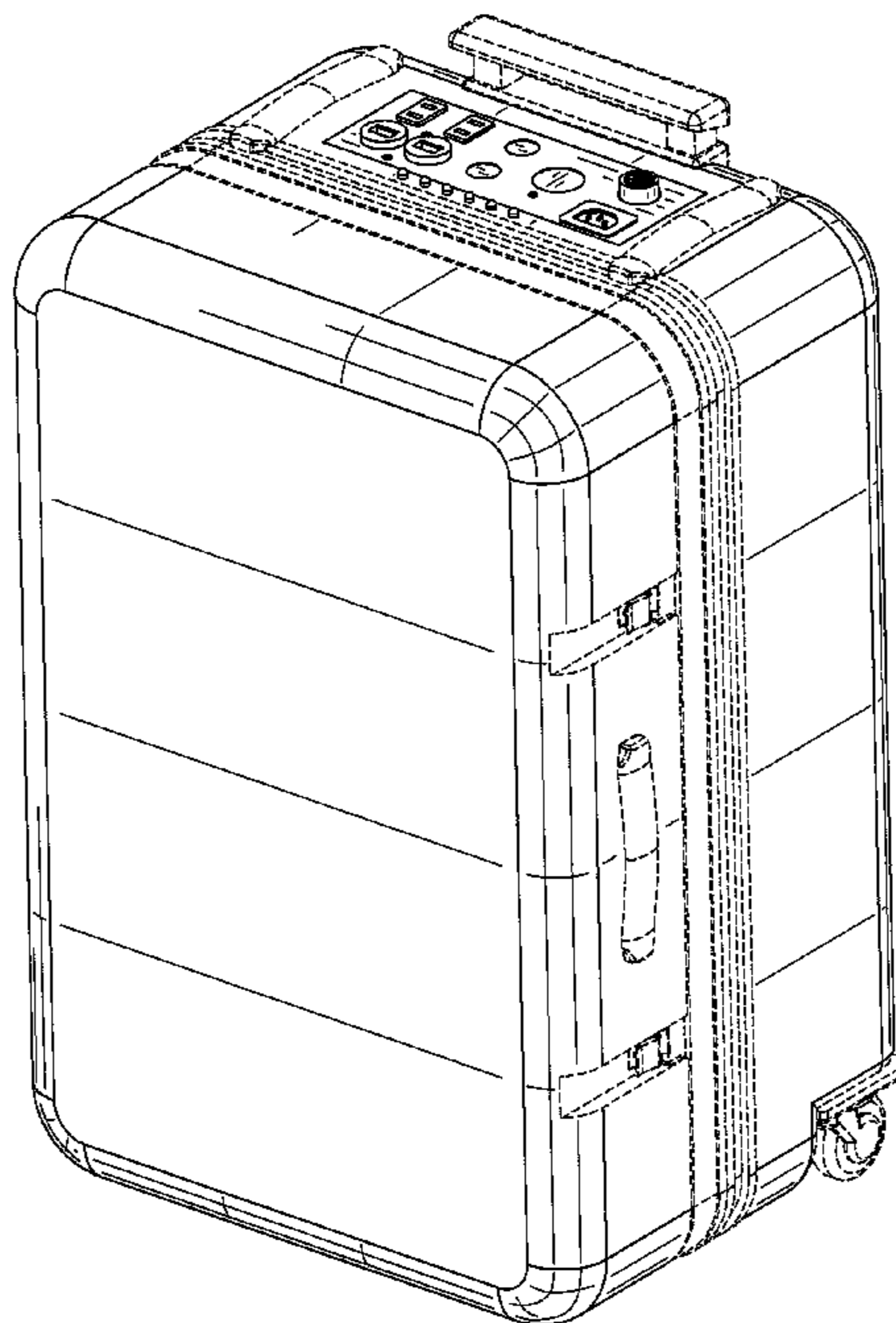
(57) **CLAIM**

The ornamental design for a power system, as shown and described.

DESCRIPTION

FIG. 1 is a perspective view of a power system showing a first embodiment of my new design;
FIG. 2 is a front view of the first embodiment;
FIG. 3 is a rear view of the first embodiment;
FIG. 4 is a left side view of the first embodiment;
FIG. 5 is a right side view of the first embodiment;
FIG. 6 is a top view of the first embodiment;
FIG. 7 is a bottom view of the first embodiment;
FIG. 8 is a perspective view of a power system showing a second embodiment of my new design;
FIG. 9 is a front view of the second embodiment;
FIG. 10 is a rear view of the second embodiment;
FIG. 11 is a left side view of the second embodiment;
FIG. 12 is a right side view of the second embodiment;
FIG. 13 is a top view of the second embodiment; and,
FIG. 14 is a bottom view of the second embodiment.
The broken line portions of the power system in FIGS. 1-14 represent unclaimed portions of the claimed design and form no part thereof.

1 Claim, 12 Drawing Sheets



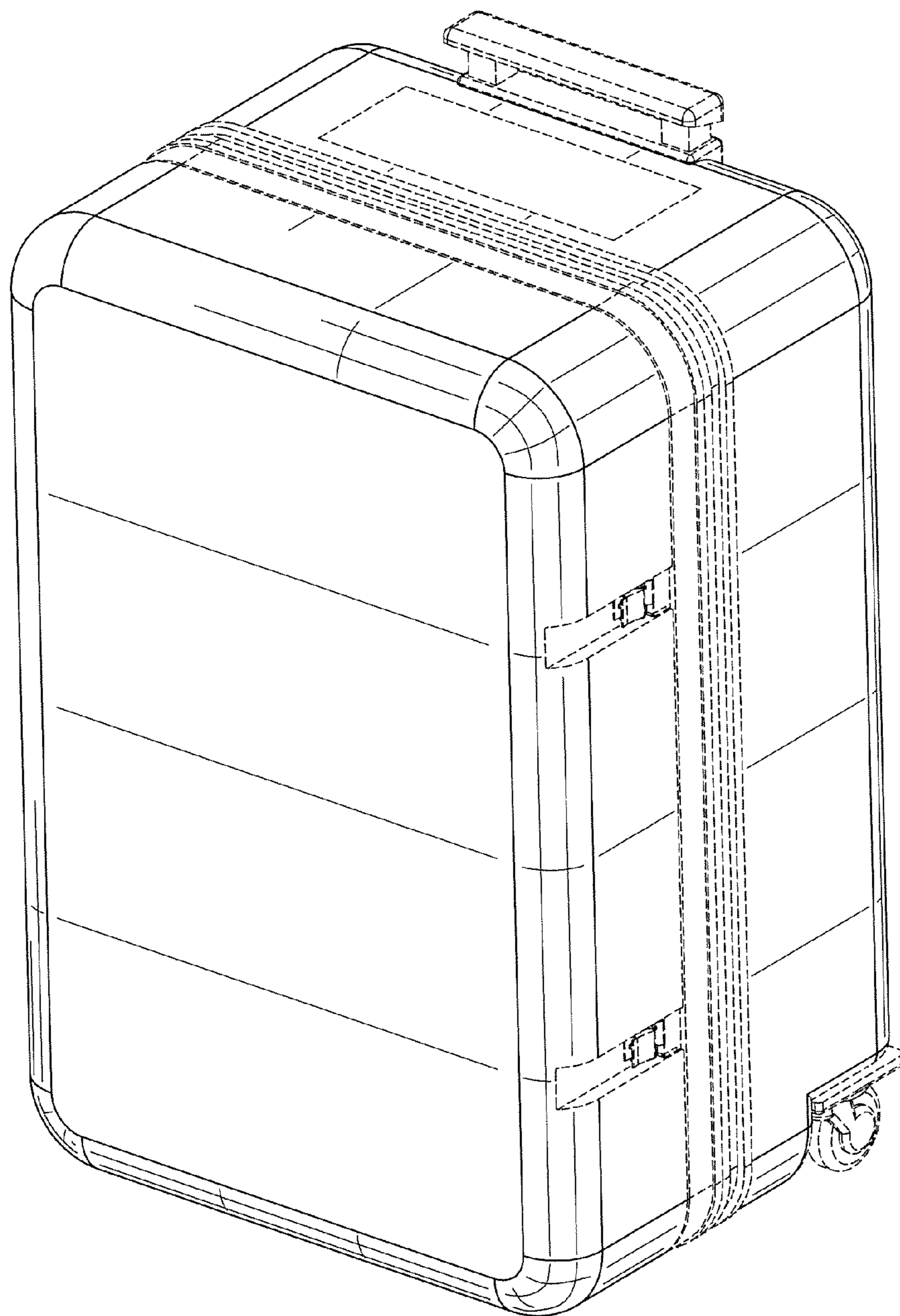


FIG. 1

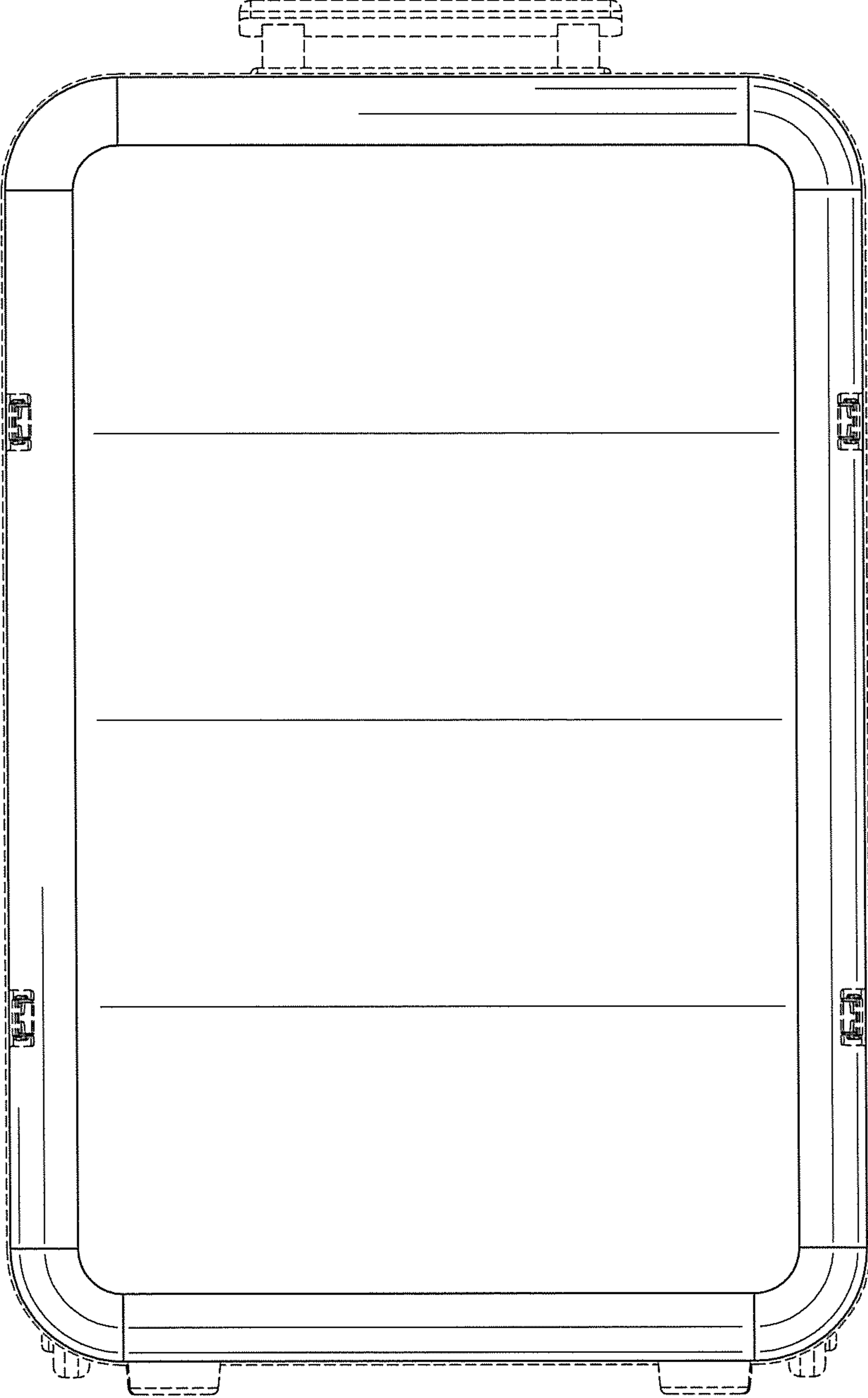


FIG. 2

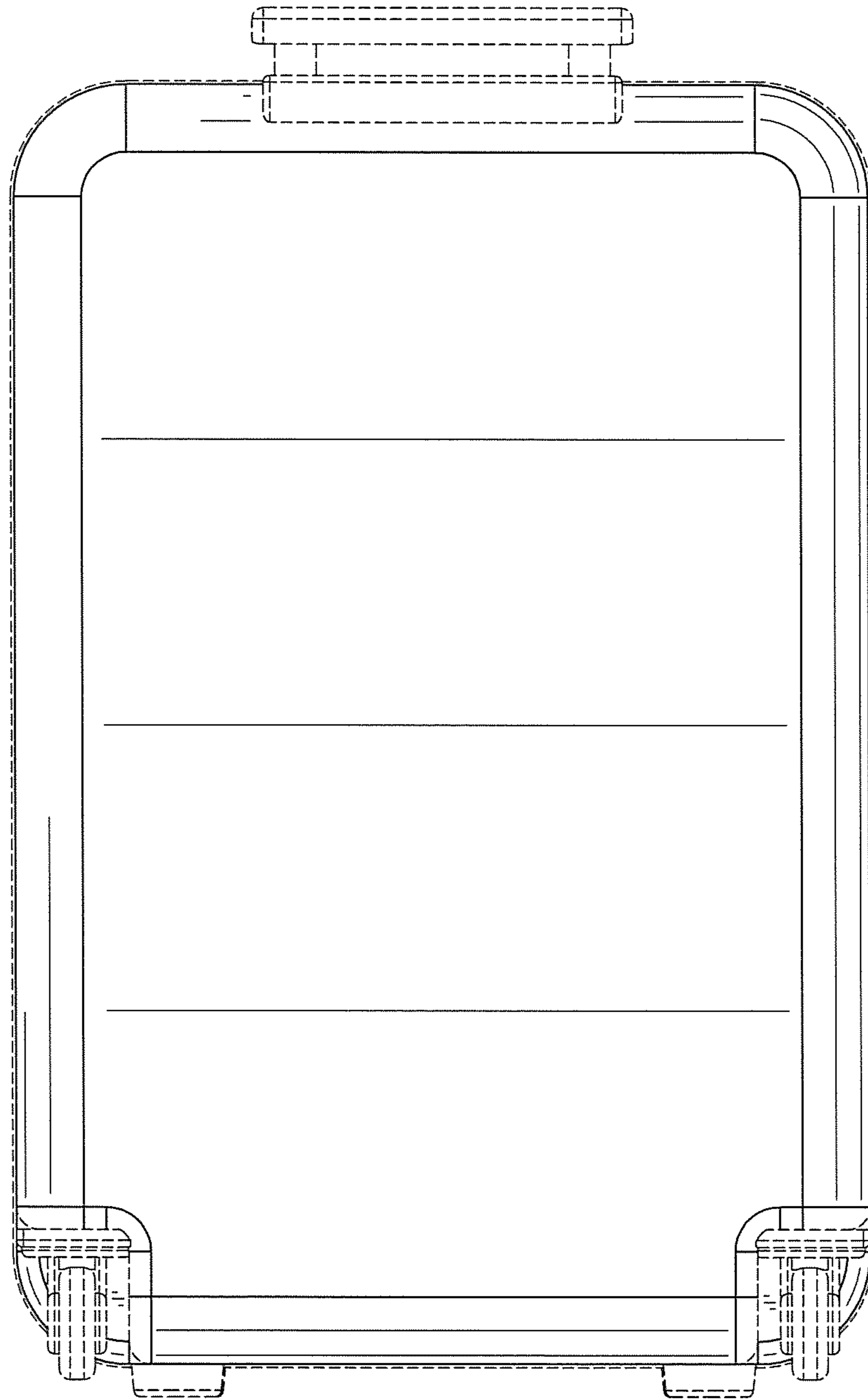


FIG. 3

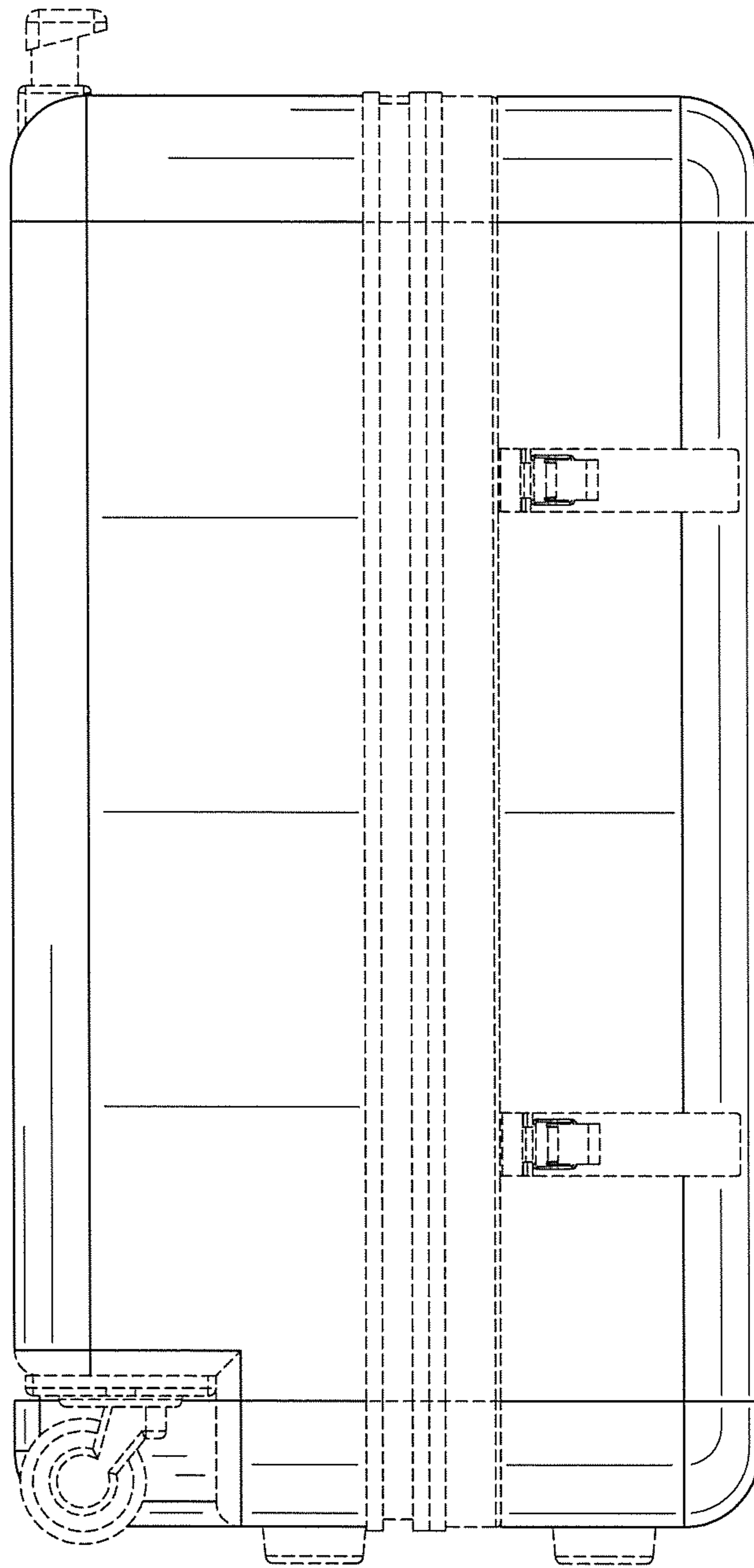


FIG. 4

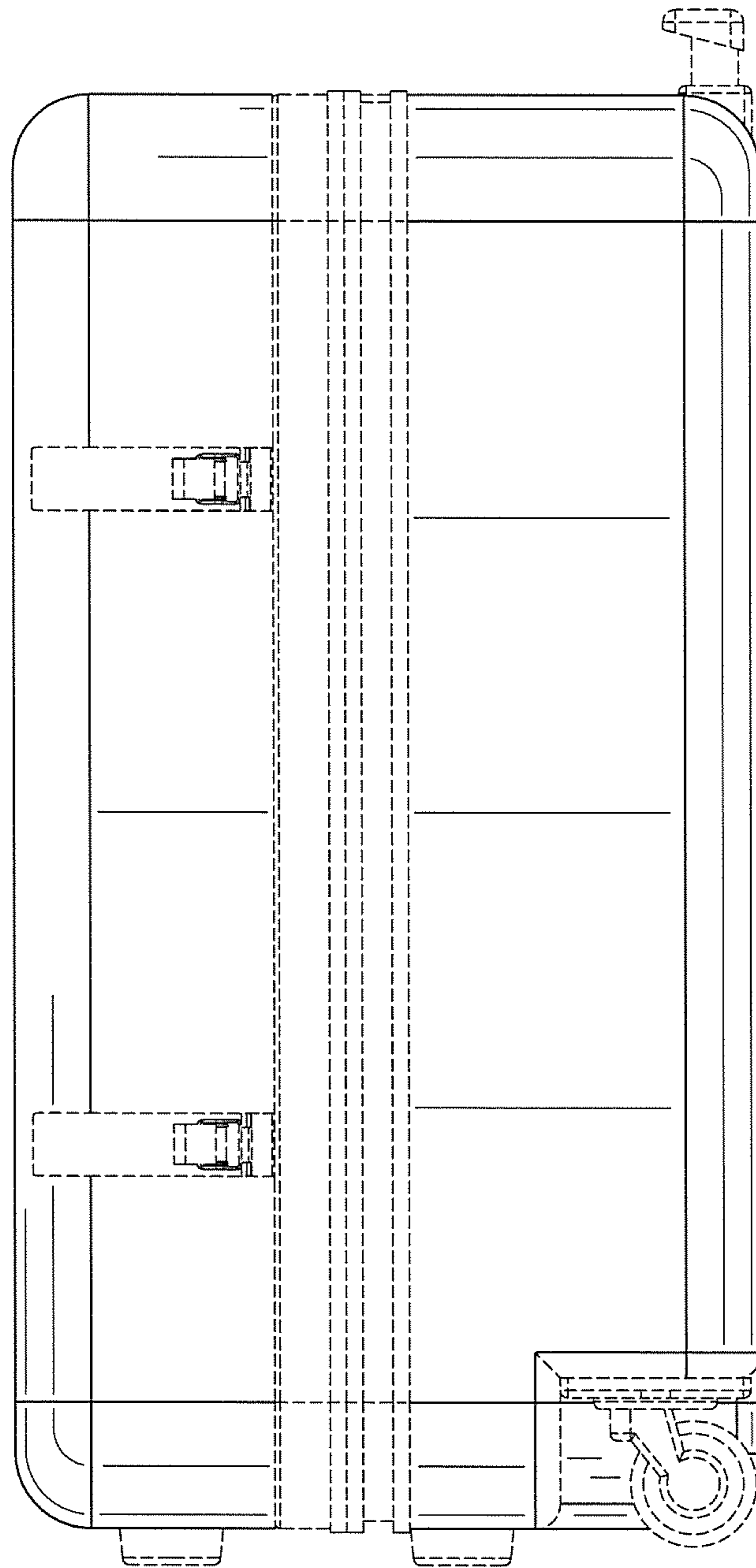


FIG. 5

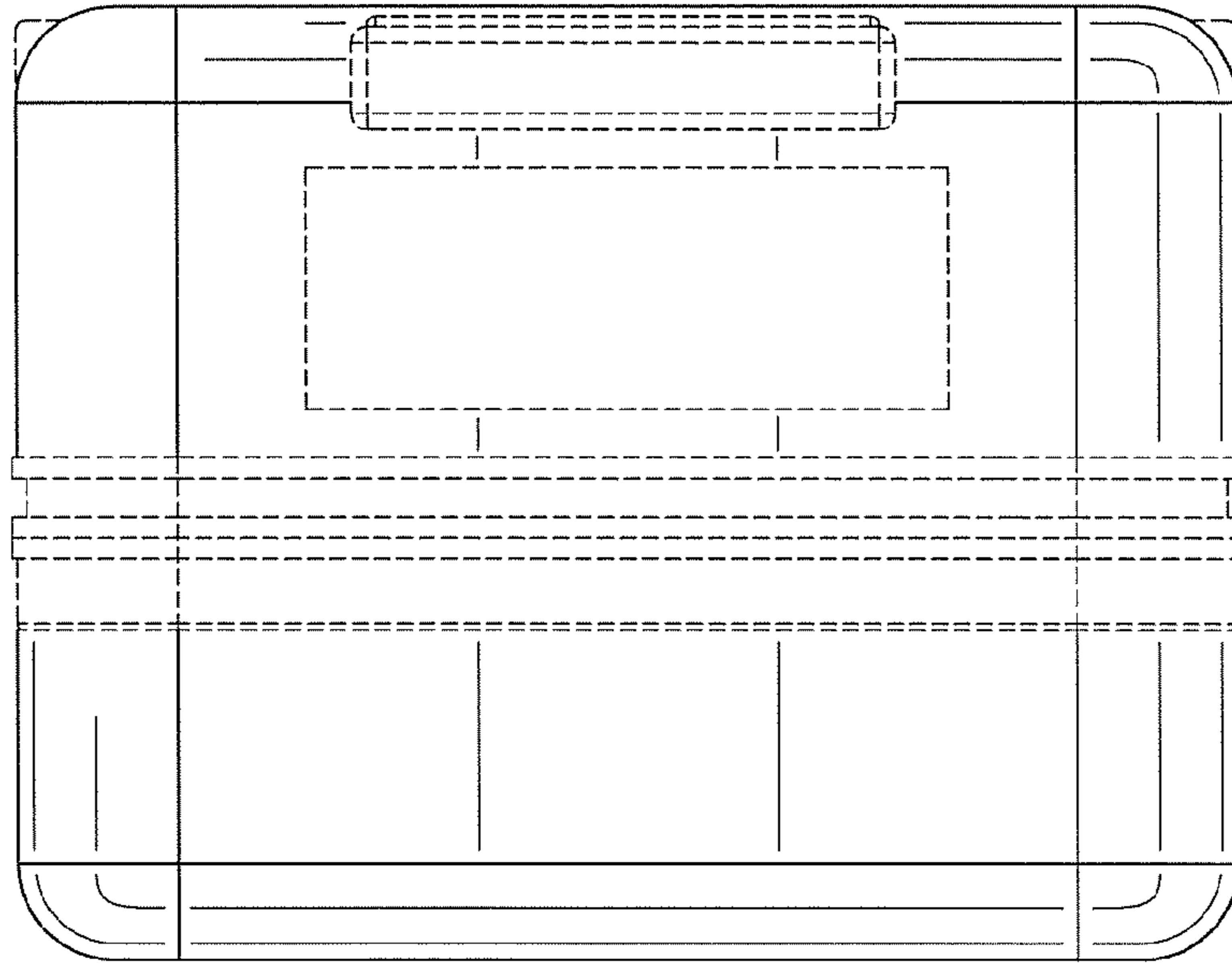


FIG. 6

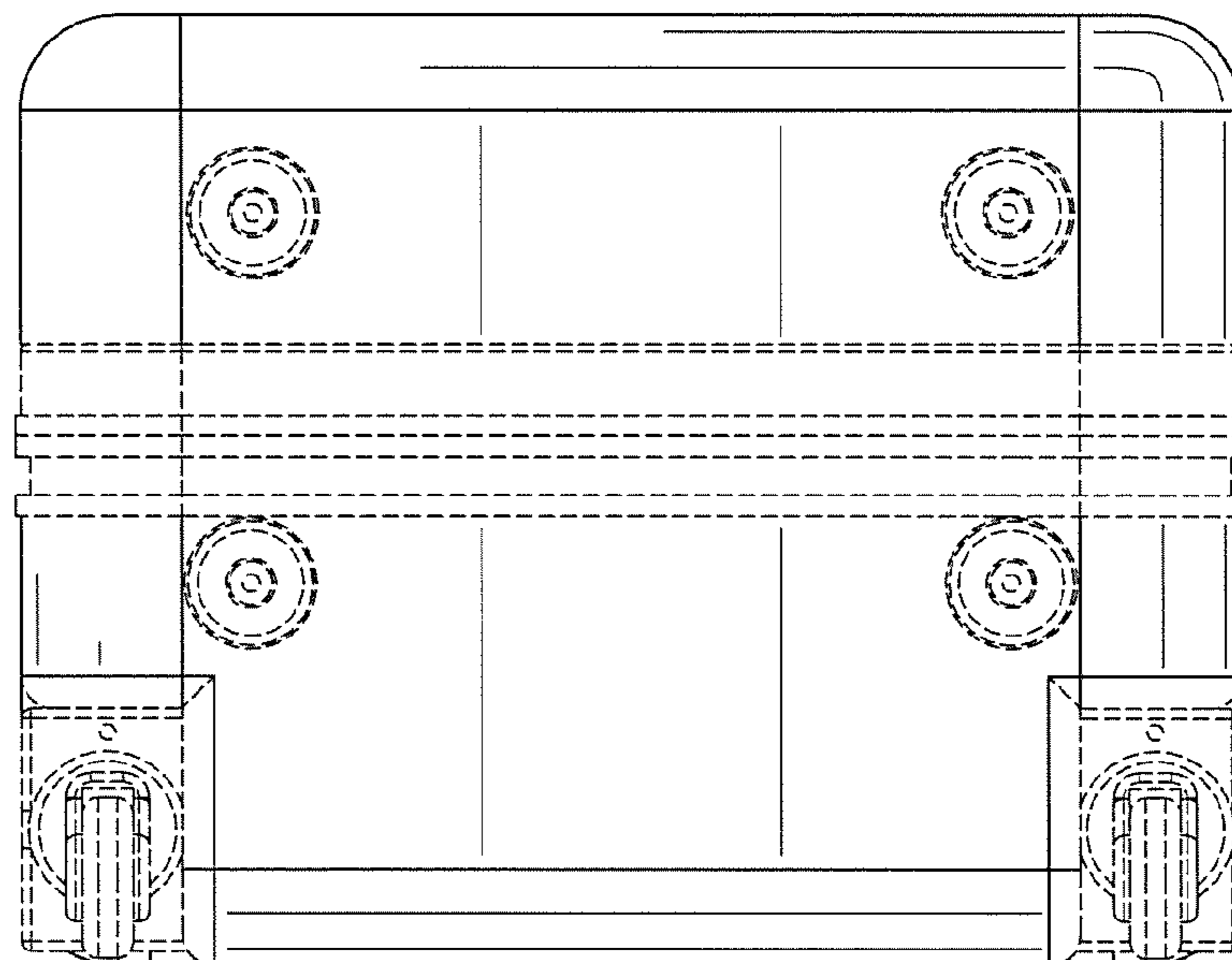


FIG. 7

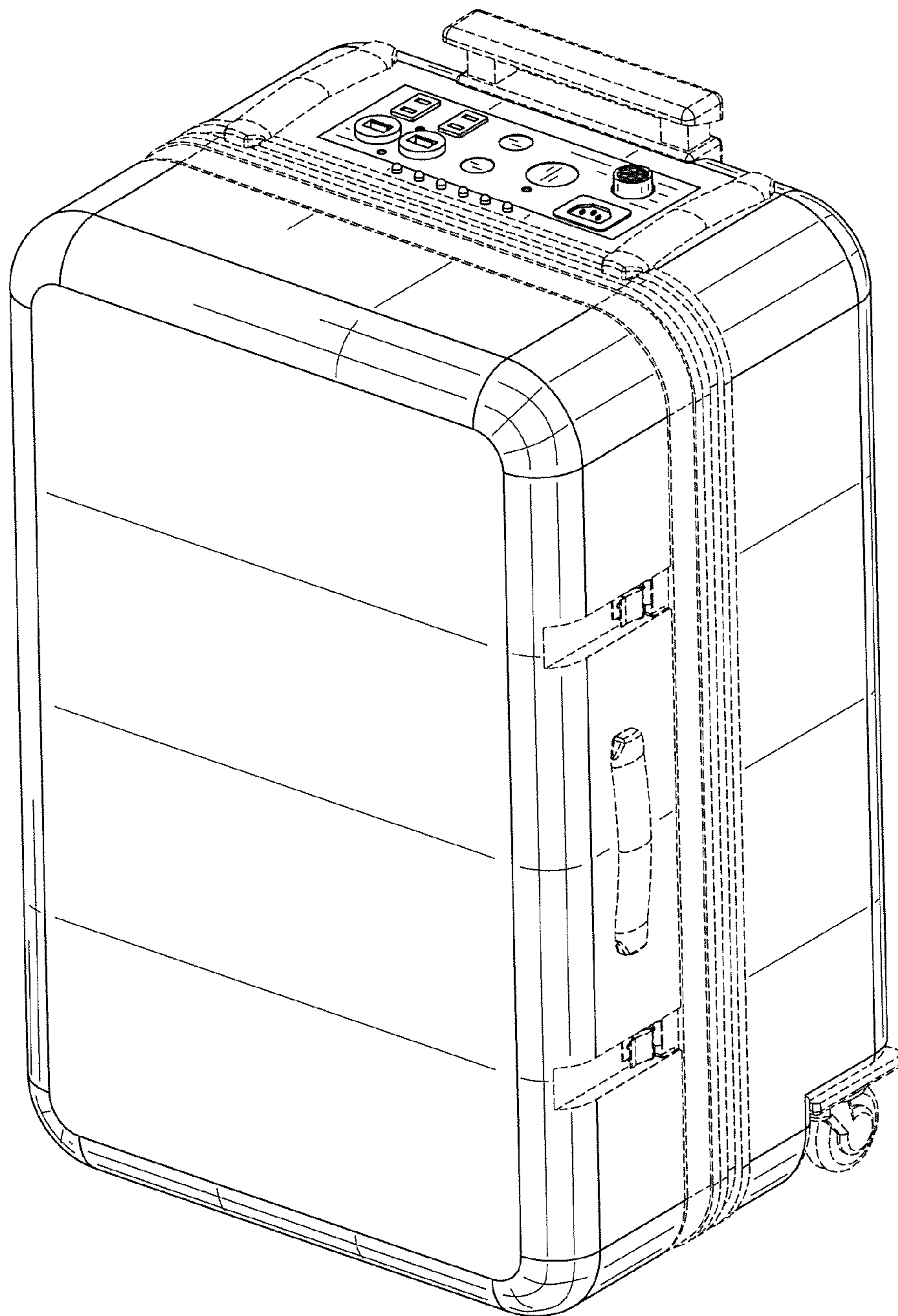


FIG. 8

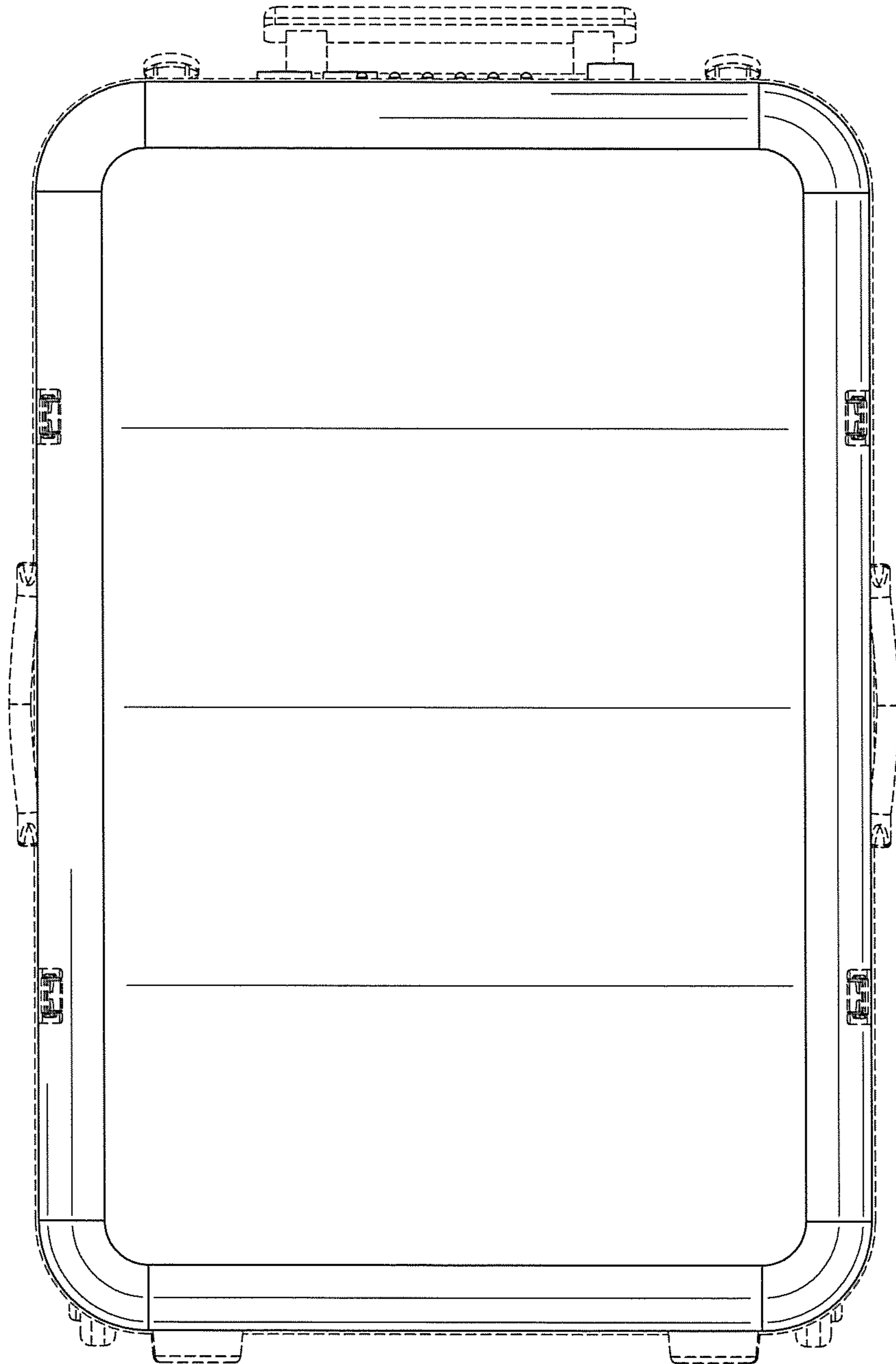


FIG. 9

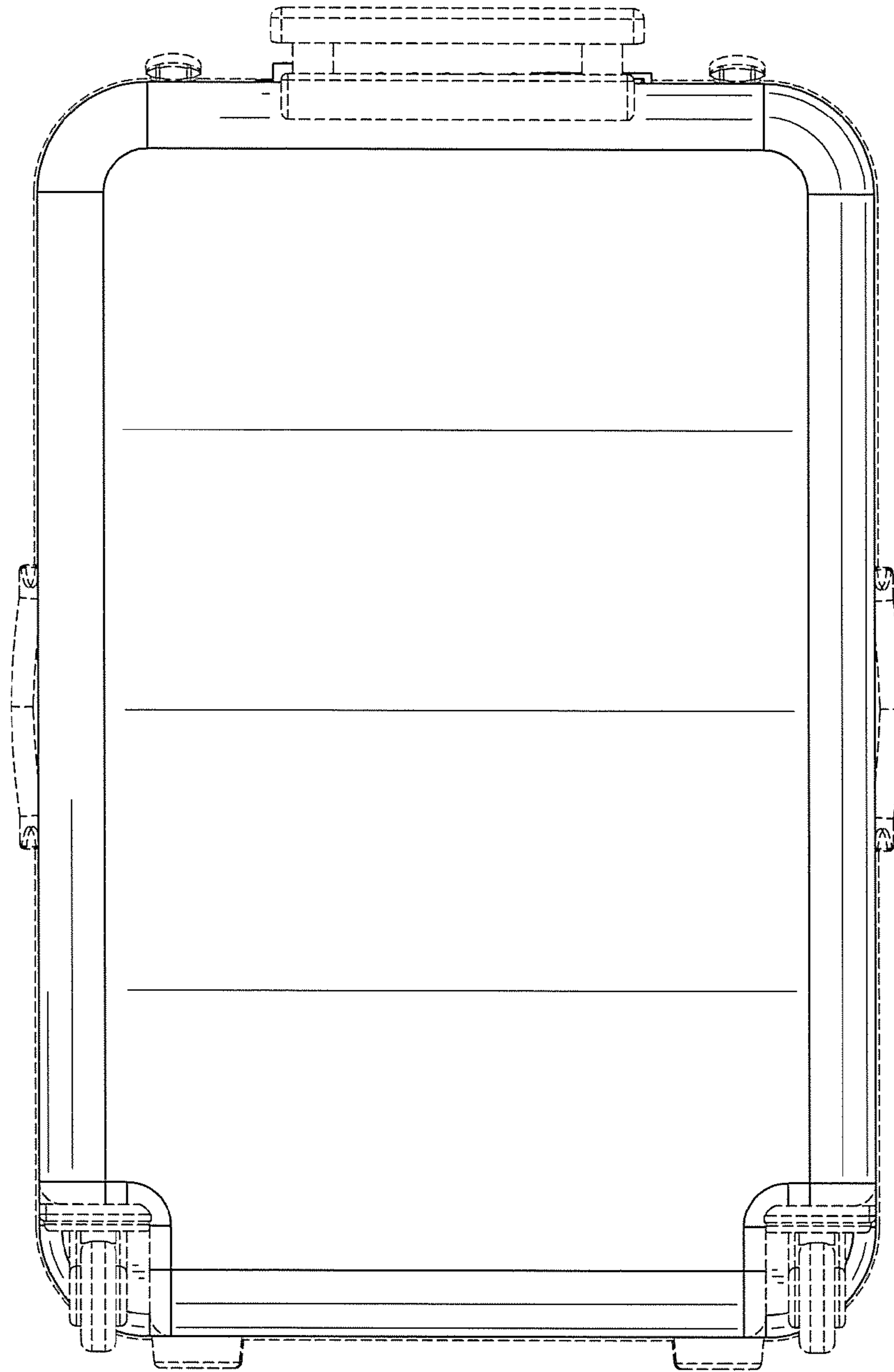


FIG. 10

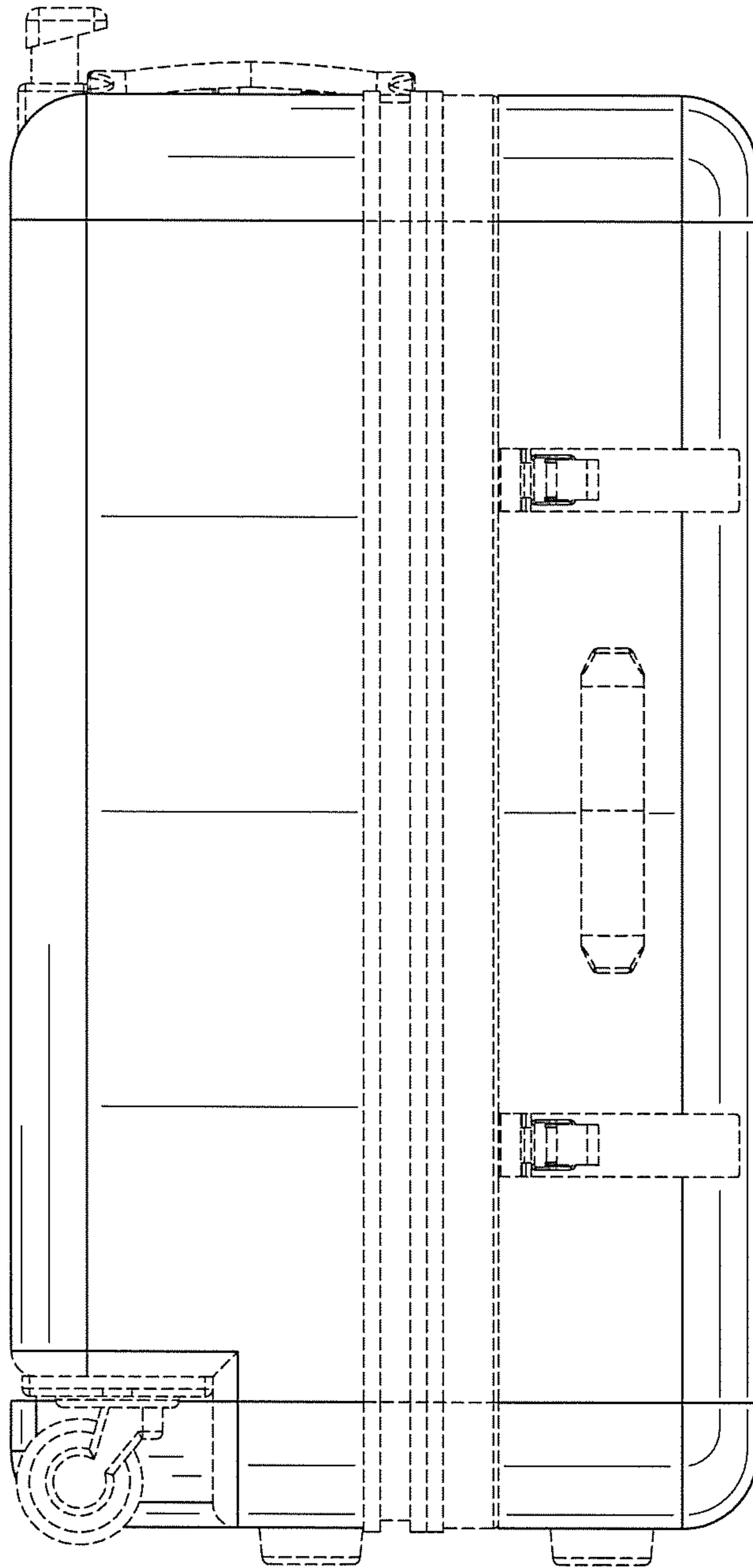


FIG. 11

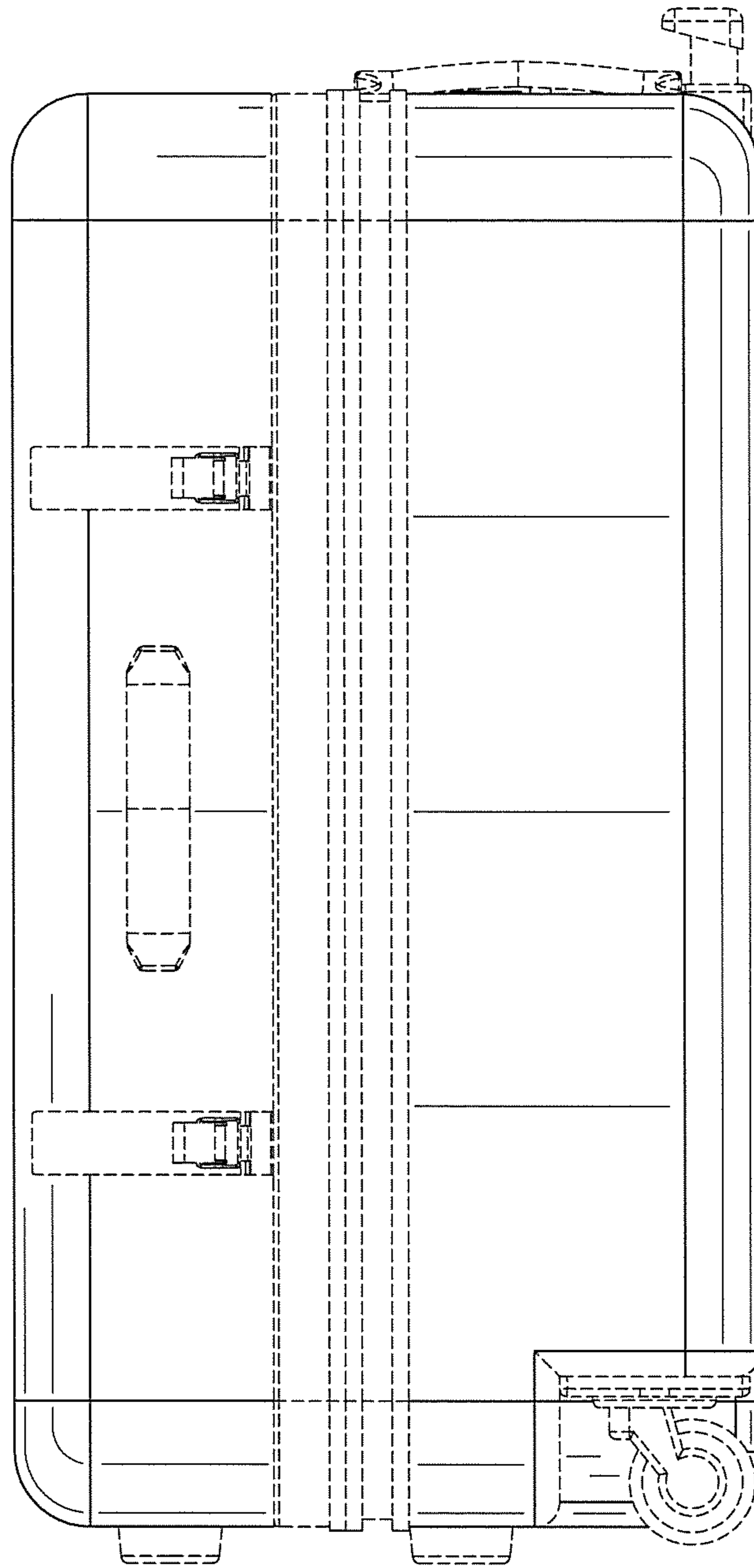


FIG. 12

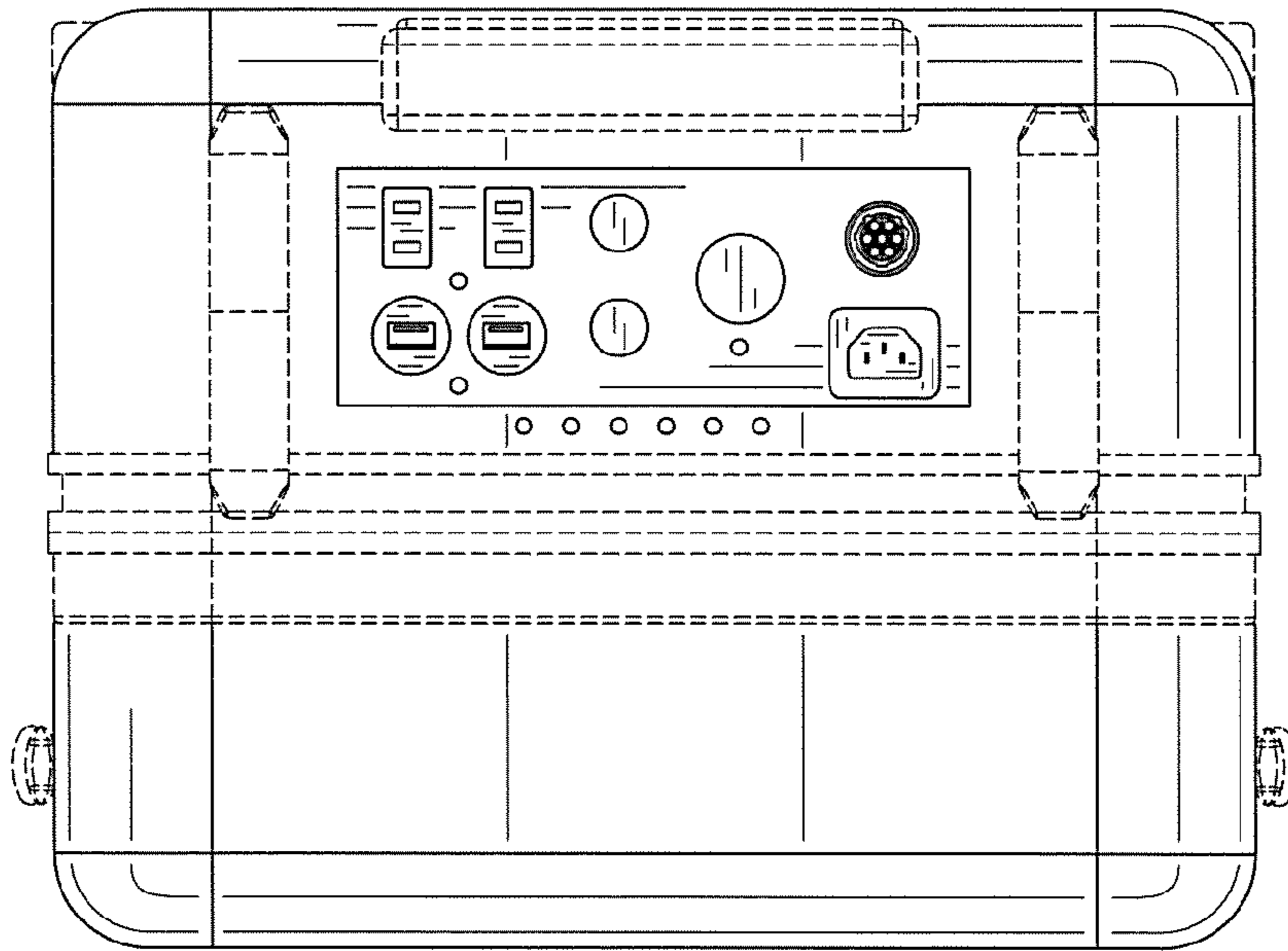


FIG. 13

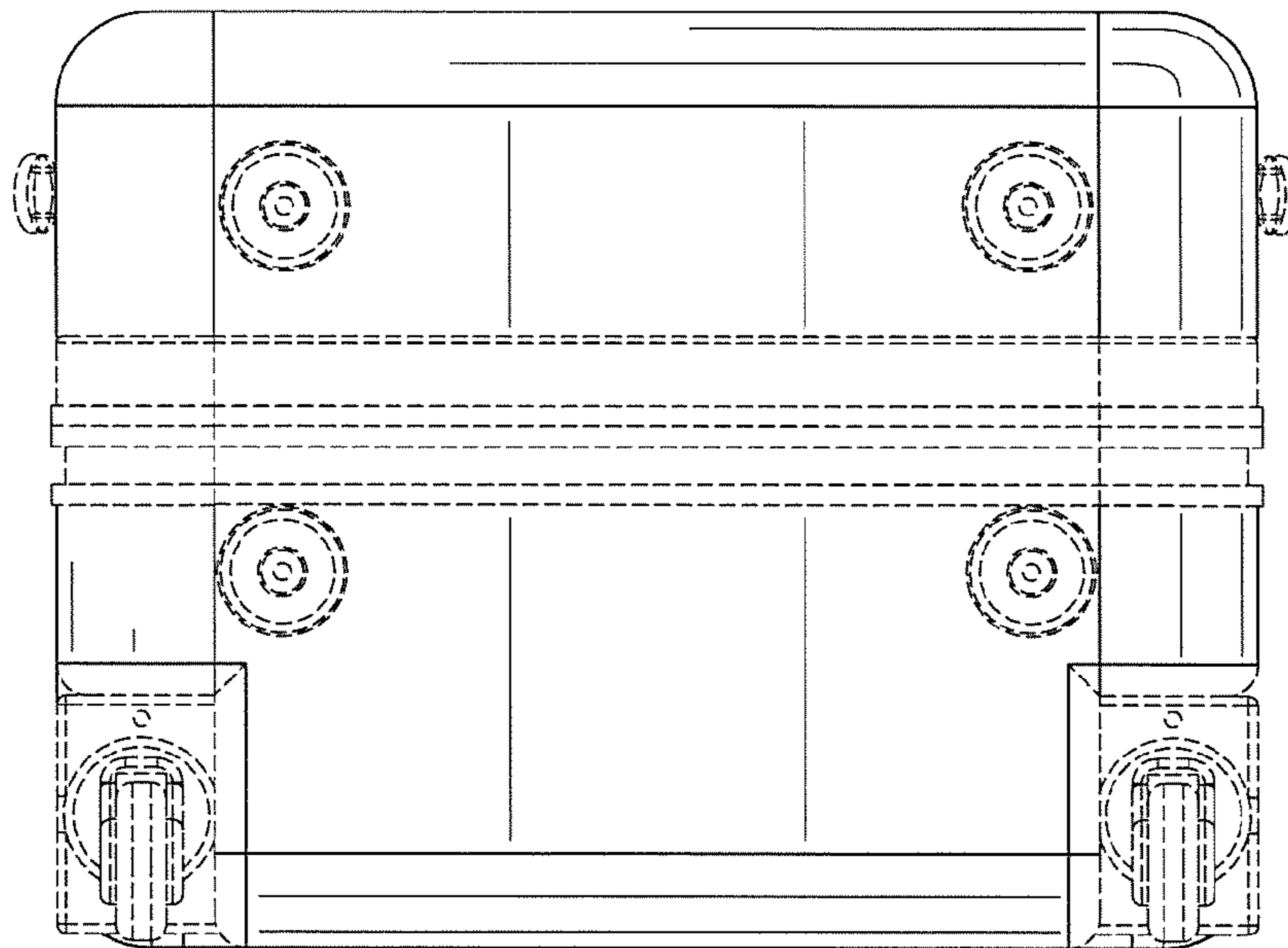


FIG. 14