



US00D705163S

(12) **United States Design Patent**  
**Lauper et al.**

(10) **Patent No.:** **US D705,163 S**  
(45) **Date of Patent:** **\*\* May 20, 2014**

(54) **MOTOR GRADER REAR SECTION HOUSING**

- (71) Applicant: **Deere & Company**, Moline, IL (US)
- (72) Inventors: **John C. Lauper**, Cuba City, WI (US); **Christopher J. Maifield**, Dubuque, IA (US); **Jesse J. Stanton**, Dubuque, IA (US); **Thomas H. Ward**, Ventura, CA (US); **Michael Trump**, Santa Monica, CA (US); **Joseph B. Fochs**, Dubuque, IA (US)
- (73) Assignee: **Deere & Company**, Moline, IL (US)

(\*\*) Term: **14 Years**

(21) Appl. No.: **29/437,845**

(22) Filed: **Nov. 21, 2012**

(51) **LOC (10) Cl.** ..... **13-01**

(52) **U.S. Cl.**  
USPC ..... **D13/112**

(58) **Field of Classification Search**  
USPC ..... D13/112, 114, 118, 122, 184, 199;  
123/2, 3; 181/198, 204; 290/1 A, 1 B,  
290/27, 31, 32; 307/150, 153; 322/39, 44,  
322/87; D15/23, 28, 31, 33  
See application file for complete search history.

(56) **References Cited**

**U.S. PATENT DOCUMENTS**

D181,459	S	*	11/1957	Bullock	.....	D13/116
D249,788	S	*	10/1978	Nanjo	.....	D13/116
D267,869	S	*	2/1983	Lenz et al.	.....	D13/112
D279,977	S	*	8/1985	Bonazelli	.....	D13/116
5,012,949	A	*	5/1991	McGarvey et al.	.....	220/560.01
D414,461	S	*	9/1999	Wang	.....	D13/116
D488,127	S	*	4/2004	Fan	.....	D13/112
D567,175	S	*	4/2008	Knuteson et al.	.....	D13/112
D635,154	S	*	3/2011	Rummer et al.	.....	D15/28
D646,635	S	*	10/2011	McIntosh	.....	D13/114
2002/0000342	A1	*	1/2002	Yamada et al.	.....	181/204

**OTHER PUBLICATIONS**

- Image of Deere 772GP Motor Grader (1 page).
- Deere G/GP Series Graders Product Brochure (40 pages) (Feb. 2011).
- Images of Deere iT4 Motor Grader Rear Section (5 pages).
- Caterpillar 140M2/140M2 AWD Motor Graders Product Brochure (20 pages) (2011).
- Volvo Motor Graders Product Brochure—G930B, G940B, G946B, G960B (28 pages) (Jun. 2012).
- Komatsu GD655-5 Motor Graders Product Brochure (8 pages) (Apr. 2010).
- Case 800 Series Motor Graders Product Brochure (12 pages) (2003).
- Deere Motor Graders Tier 3 and iT4 (2 pages).

\* cited by examiner

*Primary Examiner* — Derrick Holland

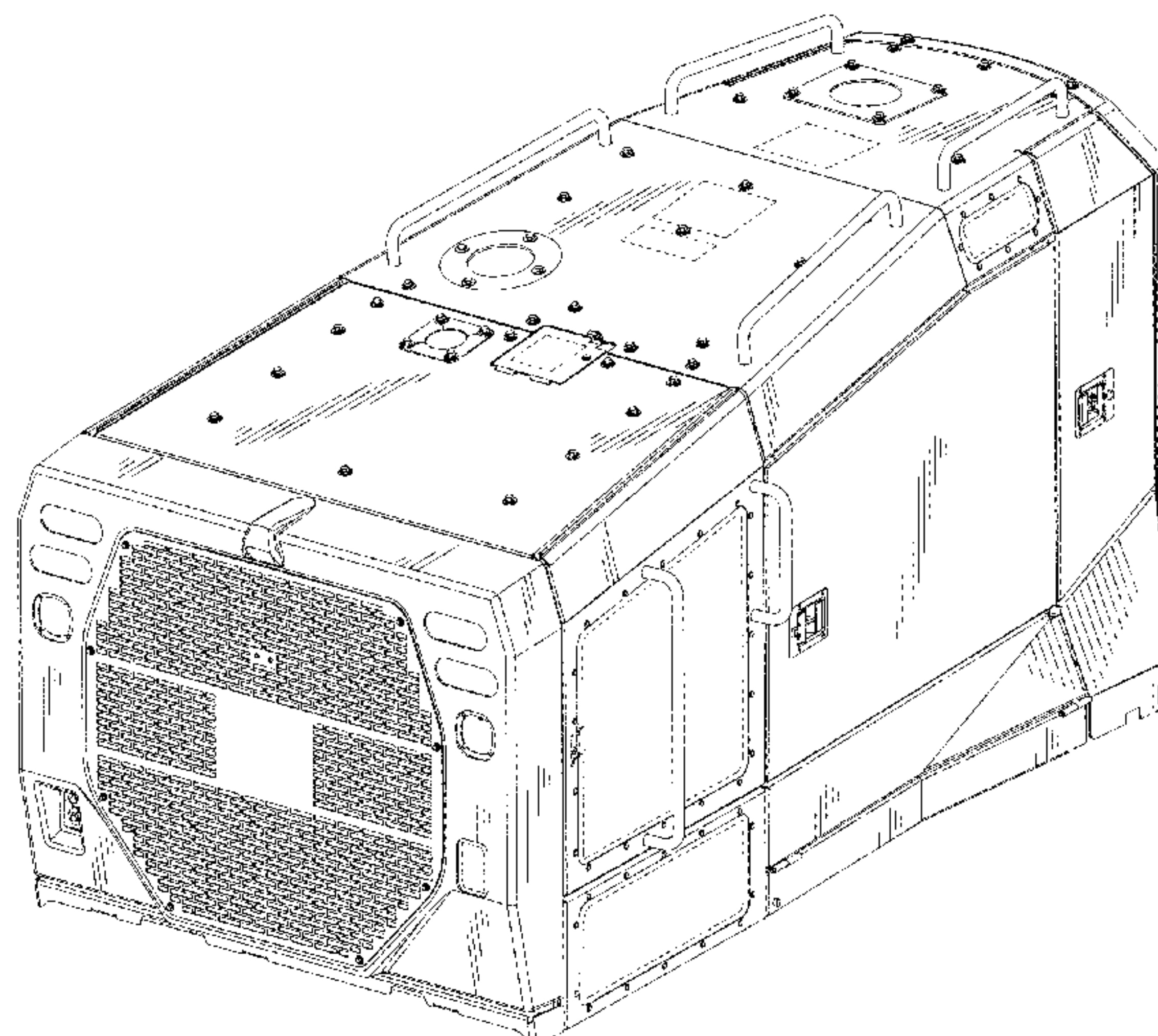
(57) **CLAIM**

The ornamental design for a motor grader rear section housing, as shown and described.

**DESCRIPTION**

FIG. 1 is a perspective view of a motor grader rear section housing showing our new design;  
 FIG. 2 is a right-side elevational view of the motor grader rear section housing;  
 FIG. 3 is a left-side elevational view of the motor grader rear section housing;  
 FIG. 4 is a rear elevational view of the motor grader rear section housing;  
 FIG. 5 is a front elevational view of the motor grader rear section housing; and,  
 FIG. 6 is a top plan view of the motor grader rear section housing.  
 The broken lines shown represent unclaimed subject matter and form no part of the claimed design.

**1 Claim, 6 Drawing Sheets**



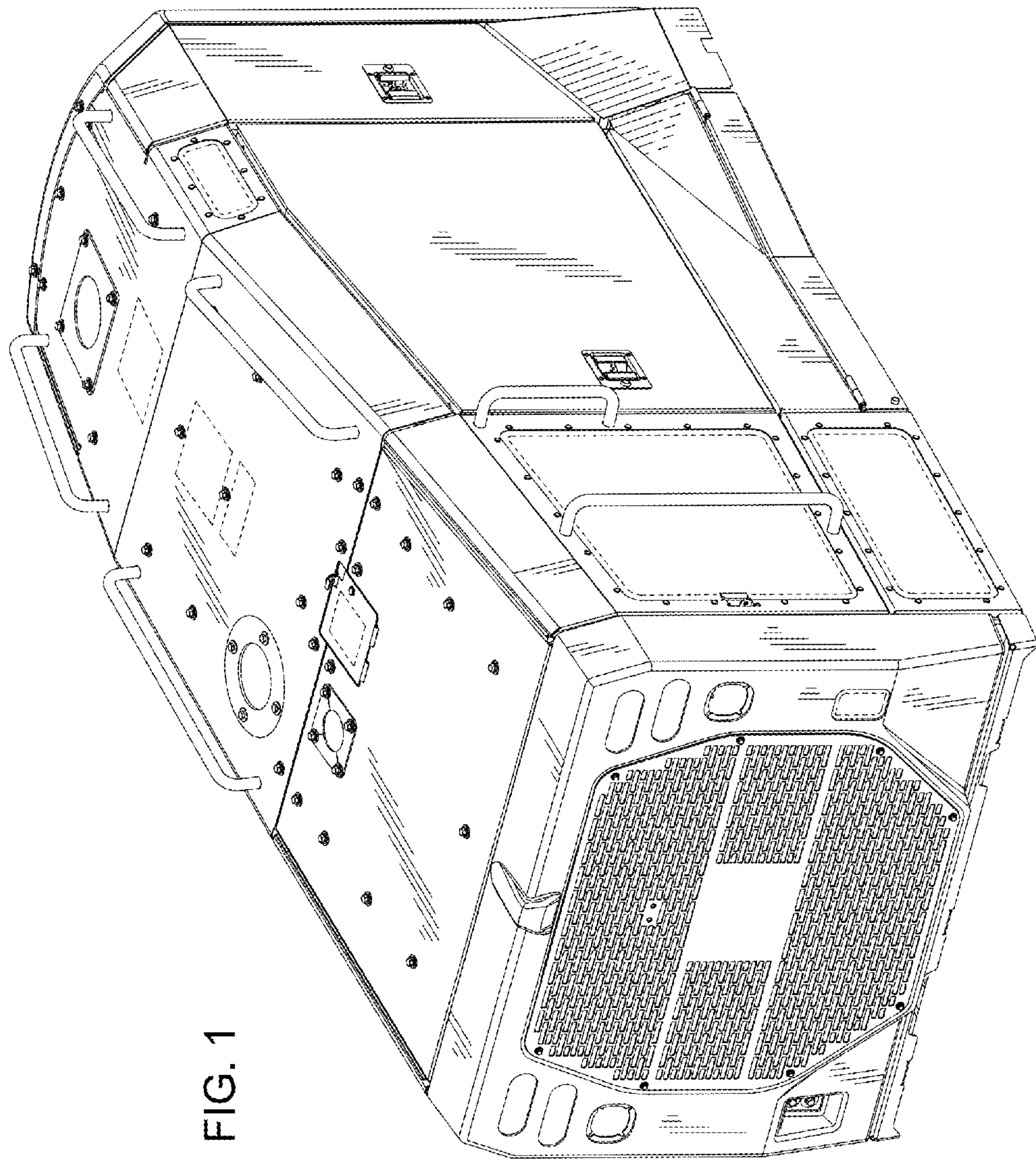


FIG. 1



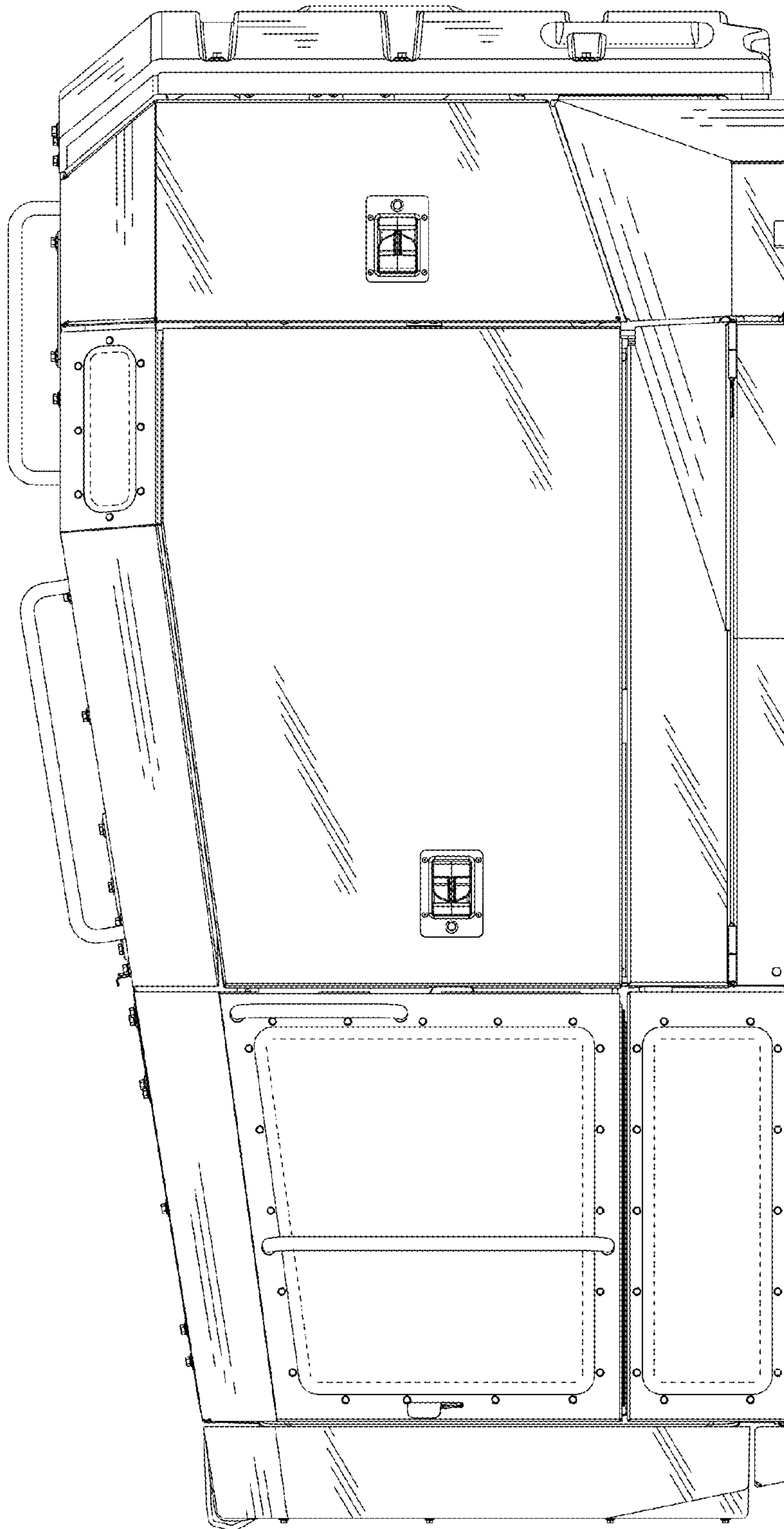


FIG. 2

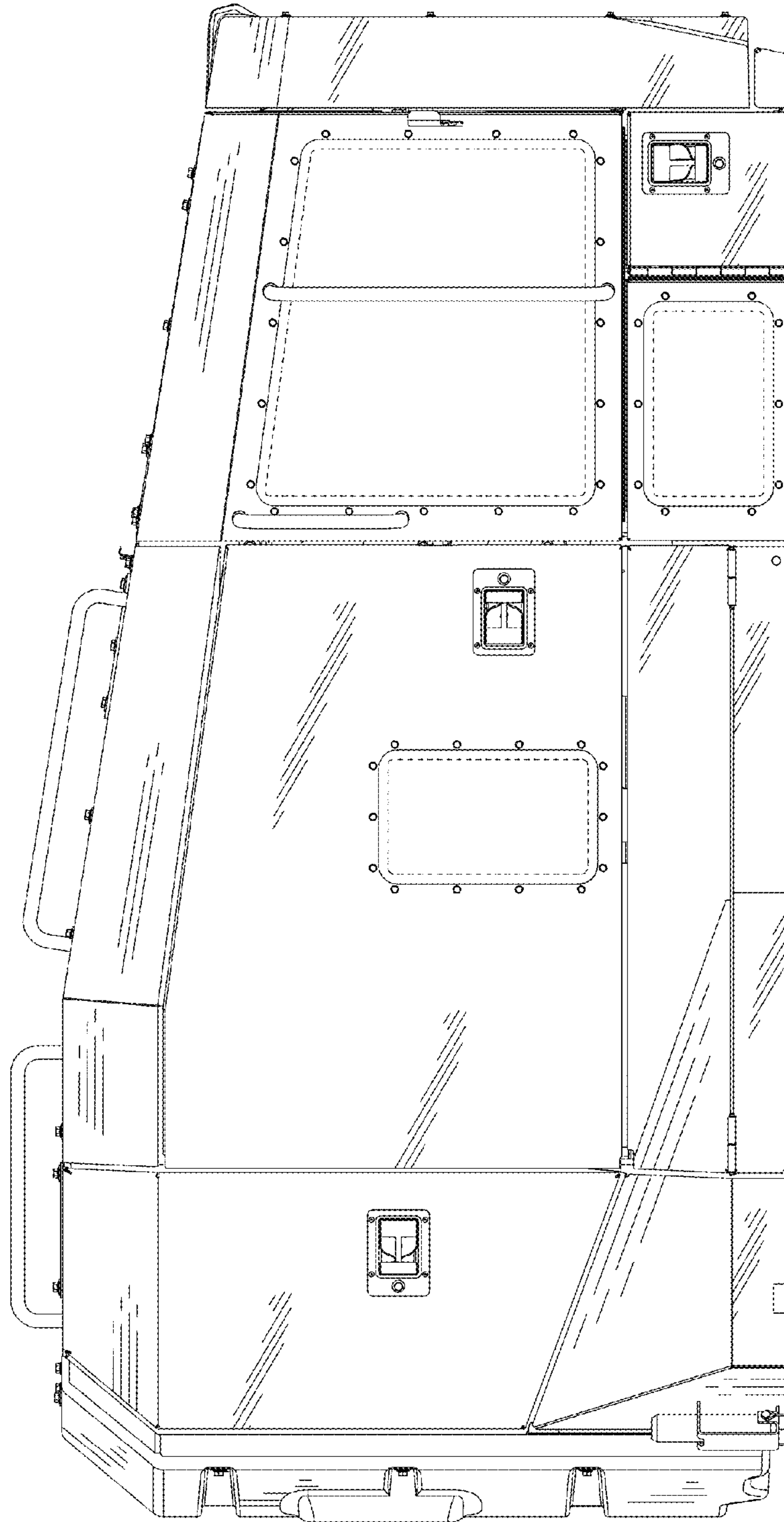


FIG. 3

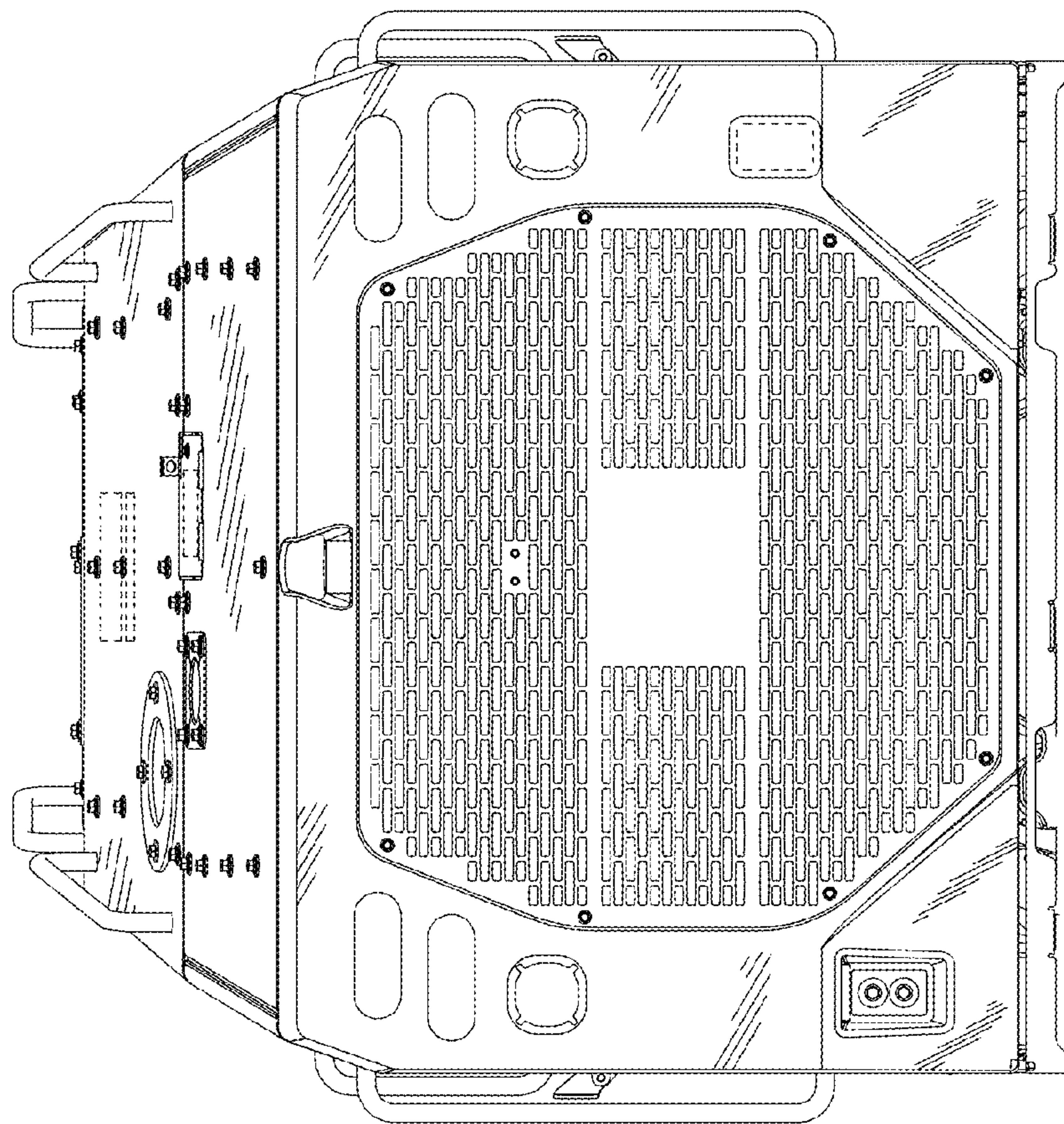


FIG. 4

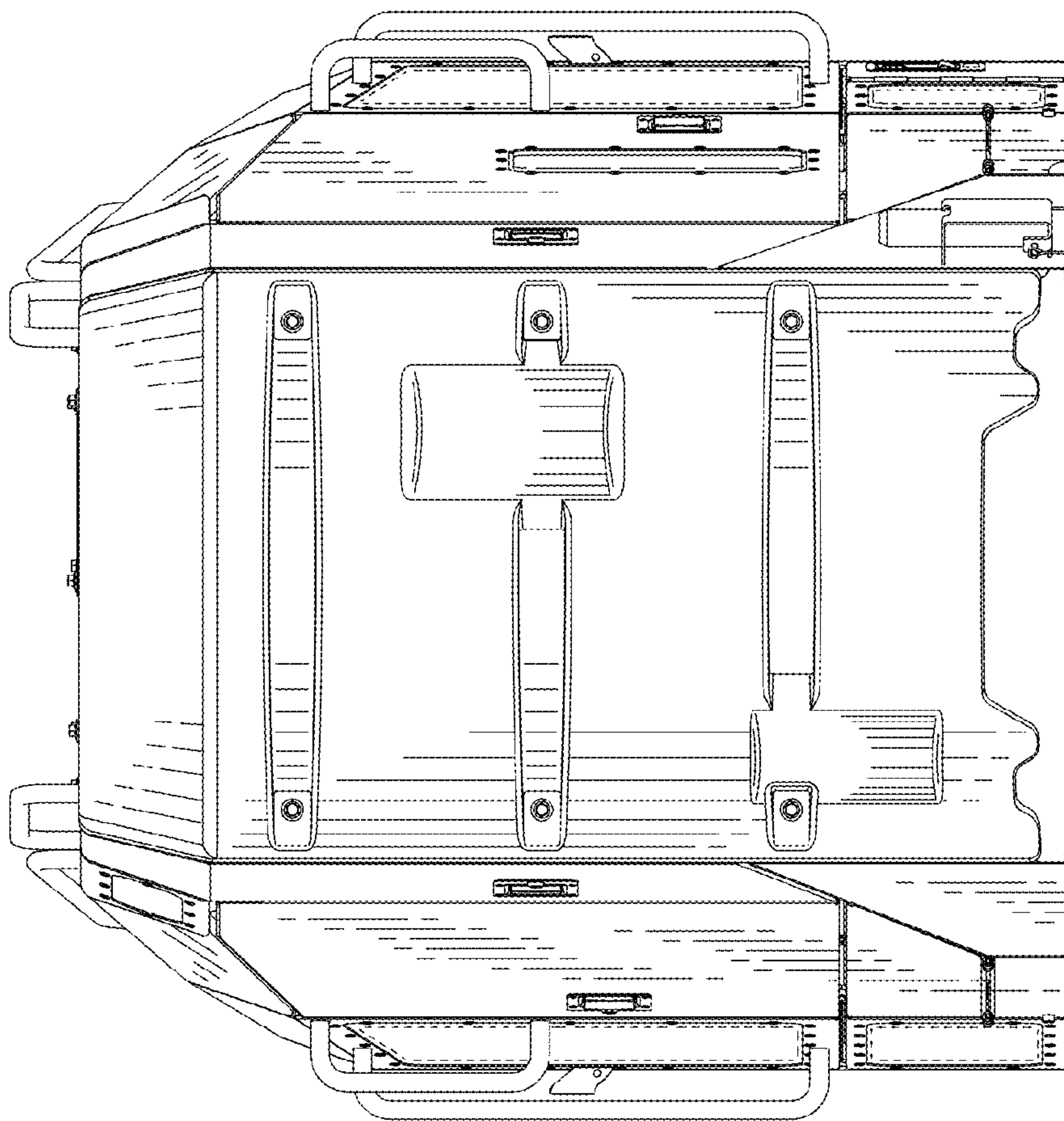


FIG. 5



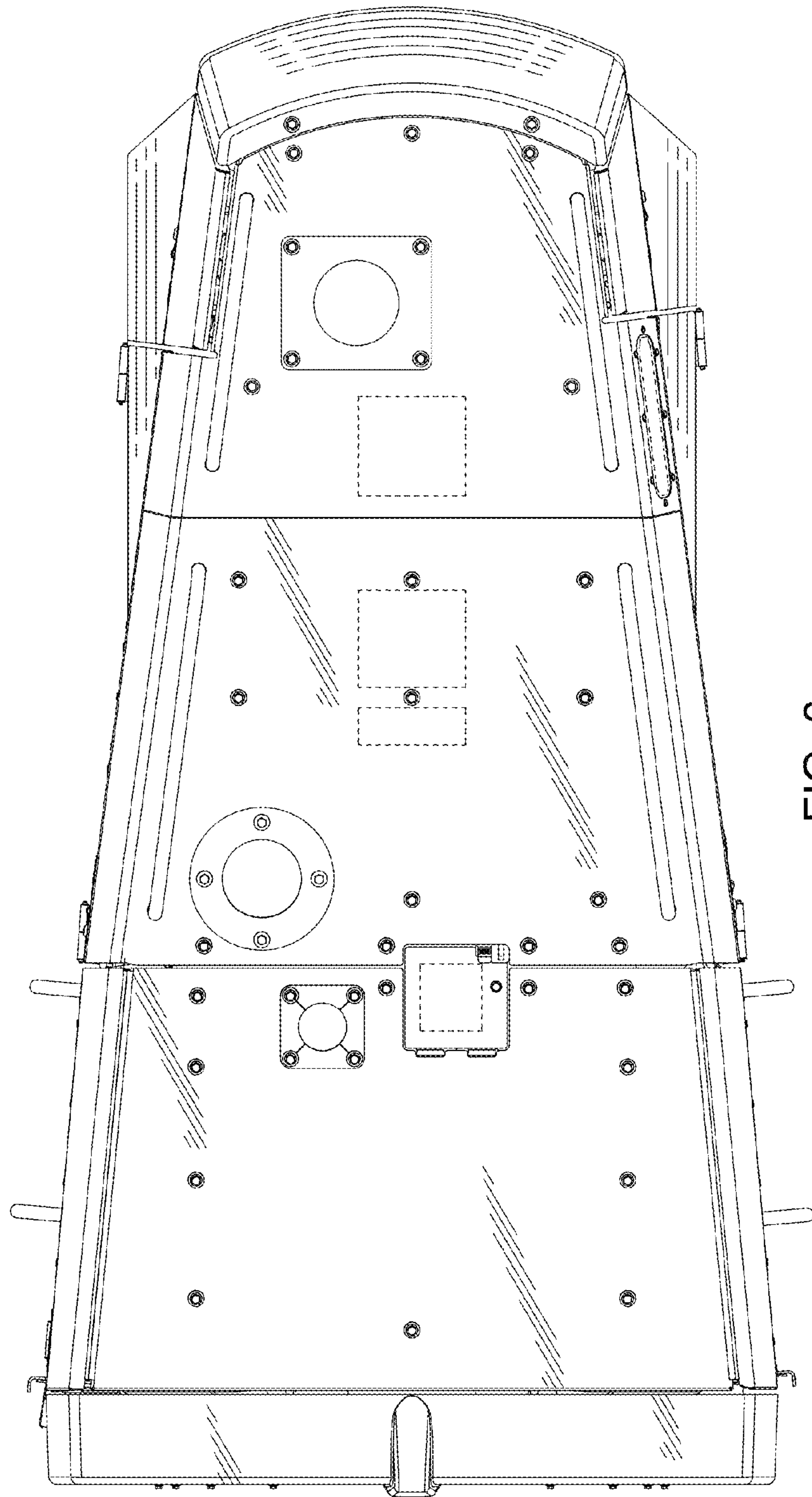


FIG. 6