



US00D705162S

(12) **United States Design Patent**
Mueller et al.

(10) **Patent No.:** **US D705,162 S**

(45) **Date of Patent:** **** May 20, 2014**

(54) **POWER SUPPLY UNIT**

(56) **References Cited**

(71) Applicant: **Phoenix Contact GmbH & Co. KG,**
Blomberg (DE)

U.S. PATENT DOCUMENTS

(72) Inventors: **Gerwin Mueller,** Kiel (DE); **Gerd Witt,**
Kiel (DE)

D346,148 S *	4/1994	Chen	D13/110
D376,347 S *	12/1996	Mousa	D13/110
D483,329 S *	12/2003	Kuo	D13/110
D488,441 S *	4/2004	Ogawa et al.	D13/110
D506,977 S *	7/2005	Lee	D13/110
D553,564 S *	10/2007	Kuo	D13/110
D621,350 S *	8/2010	Huang et al.	D13/110

(73) Assignee: **Phoenix Contact GmbH & Co. KG,**
Blomberg (DE)

* cited by examiner

(**) Term: **14 Years**

Primary Examiner — Derrick Holland

(21) Appl. No.: **29/450,844**

(74) *Attorney, Agent, or Firm* — Leydig, Voit & Mayer, Ltd.

(22) Filed: **Mar. 25, 2013**

(57) **CLAIM**

The ornamental design for a power supply unit, as shown.

(30) **Foreign Application Priority Data**

DESCRIPTION

Oct. 5, 2012 (EM) 002114421-0001

(51) **LOC (10) Cl.** **13-02**

(52) **U.S. Cl.**
USPC **D13/110**

(58) **Field of Classification Search**
USPC D13/110, 103, 107, 108, 118, 119, 123,
D13/133, 137.1, 184, 199; D14/240, 251,
D14/356, 432, 433, 434; 174/53, 54, 59, 61;
307/11, 150, 151; 320/107, 111, 112,
320/113, 114, 115; 361/679.01; 363/142,
363/146; 439/131, 172, 626, 628, 638

FIG. 1 is a right front top perspective view of the power supply unit showing our new design;

FIG. 2 is a top plan view thereof;

FIG. 3 is a left side elevation view thereof;

FIG. 4 is a right side elevation view thereof;

FIG. 5 is a front elevation view thereof;

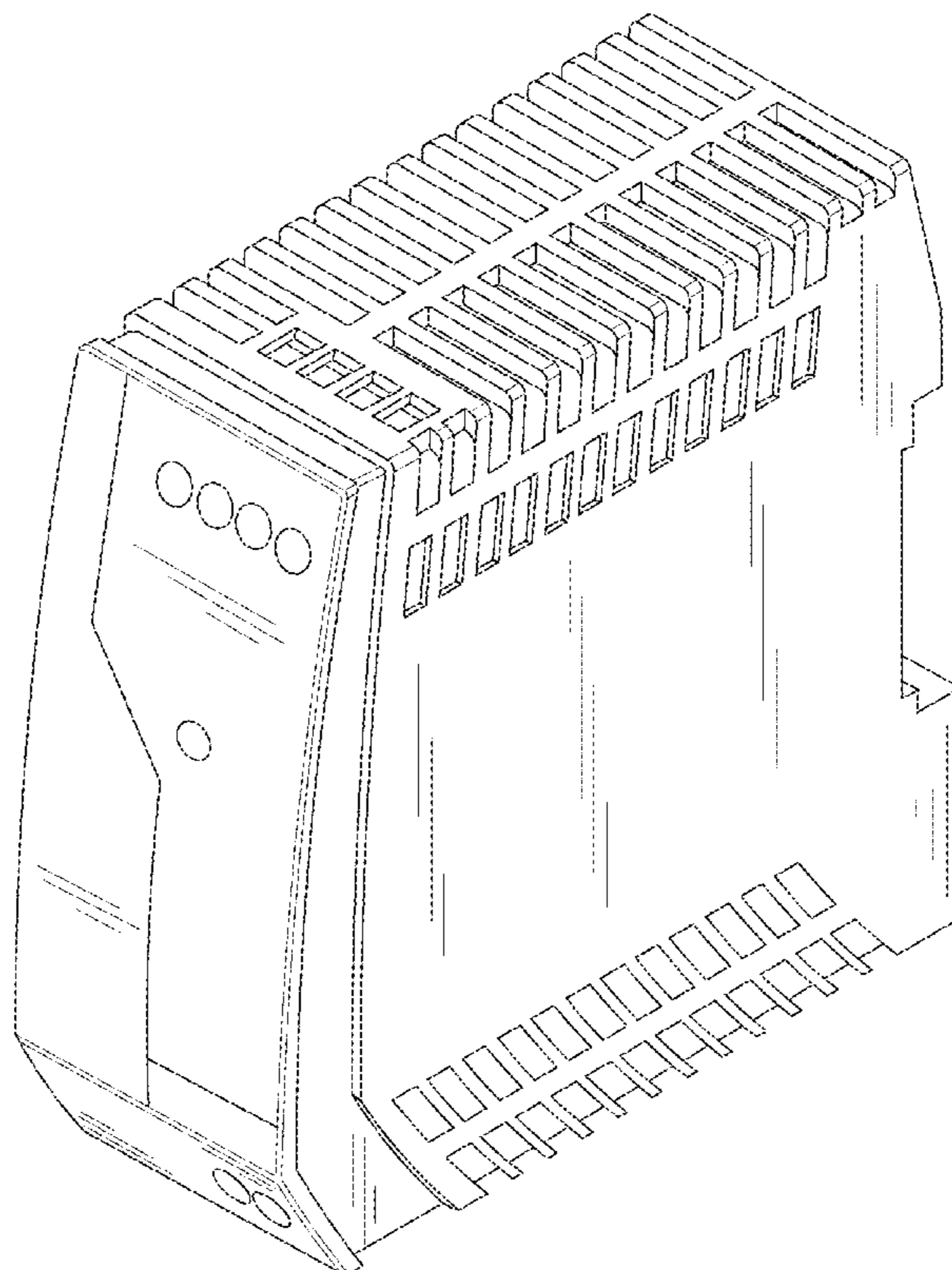
FIG. 6 is a back elevation view thereof; and,

FIG. 7 is a bottom plan view thereof.

The broken lines shown represent unclaimed subject matter and form no part of the claimed design.

See application file for complete search history.

1 Claim, 7 Drawing Sheets



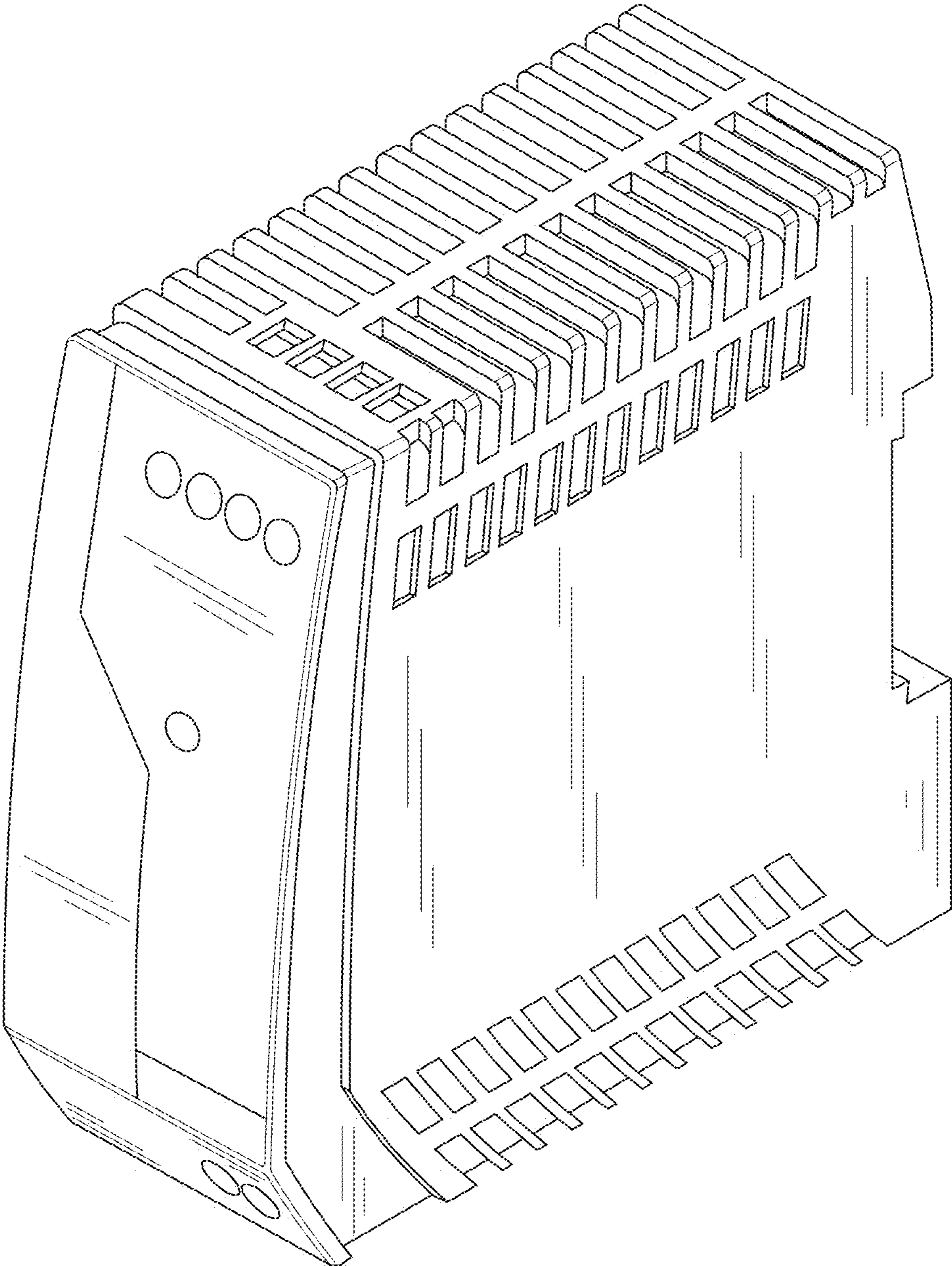


FIG. 1

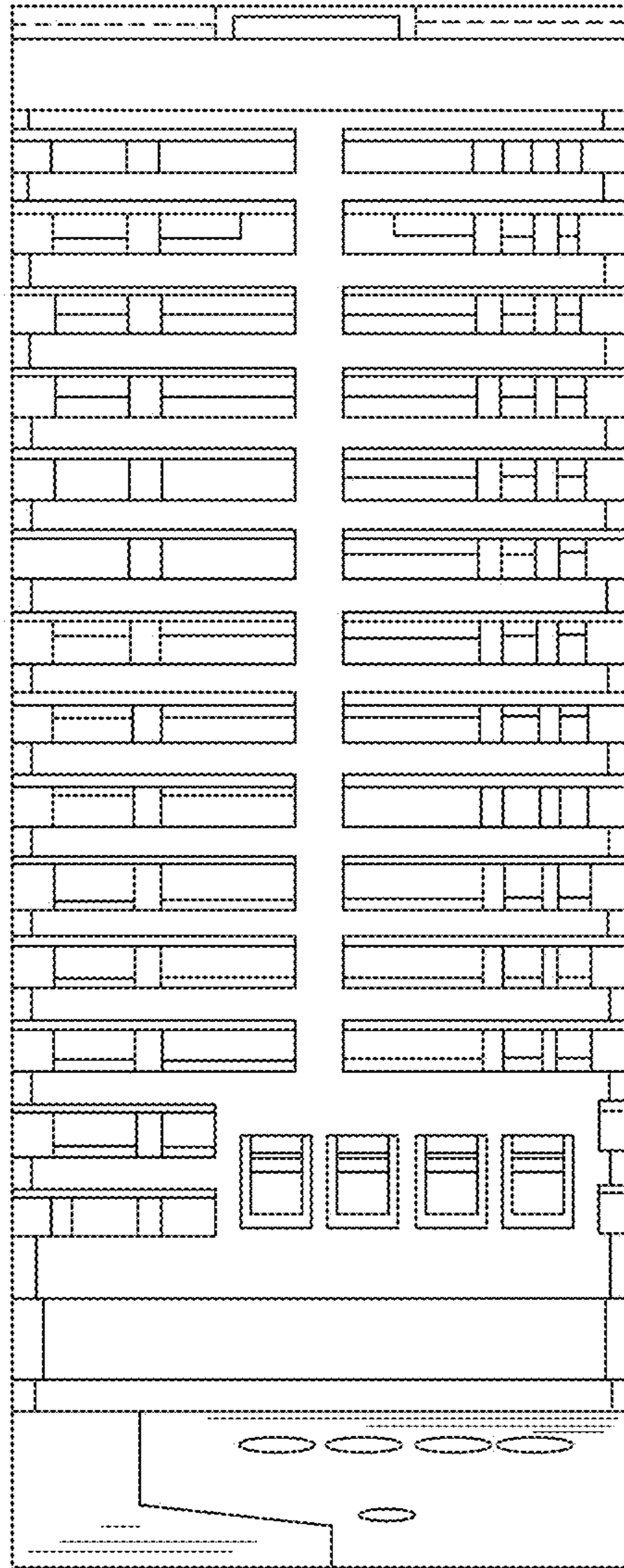


FIG. 2

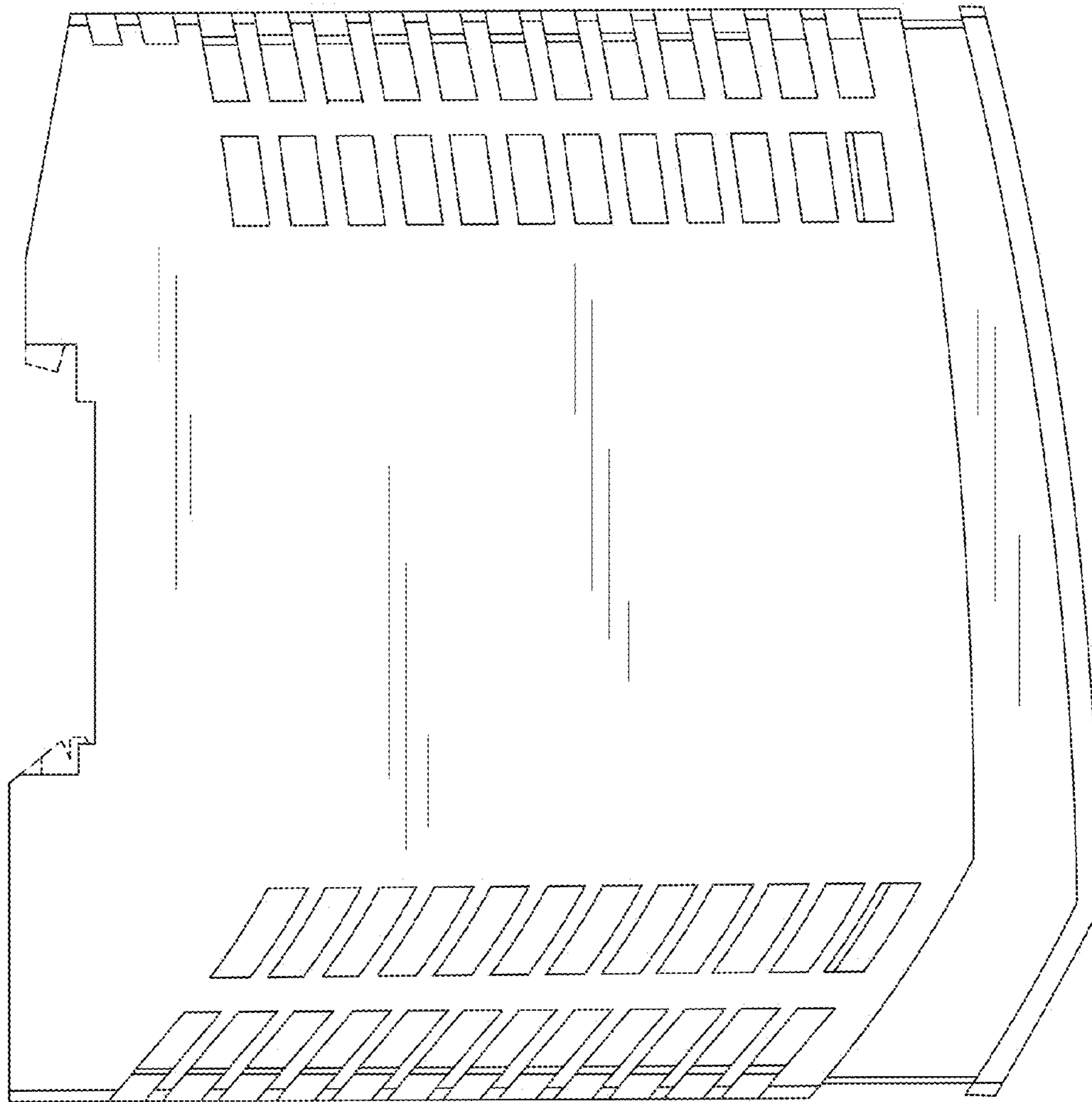


FIG.3

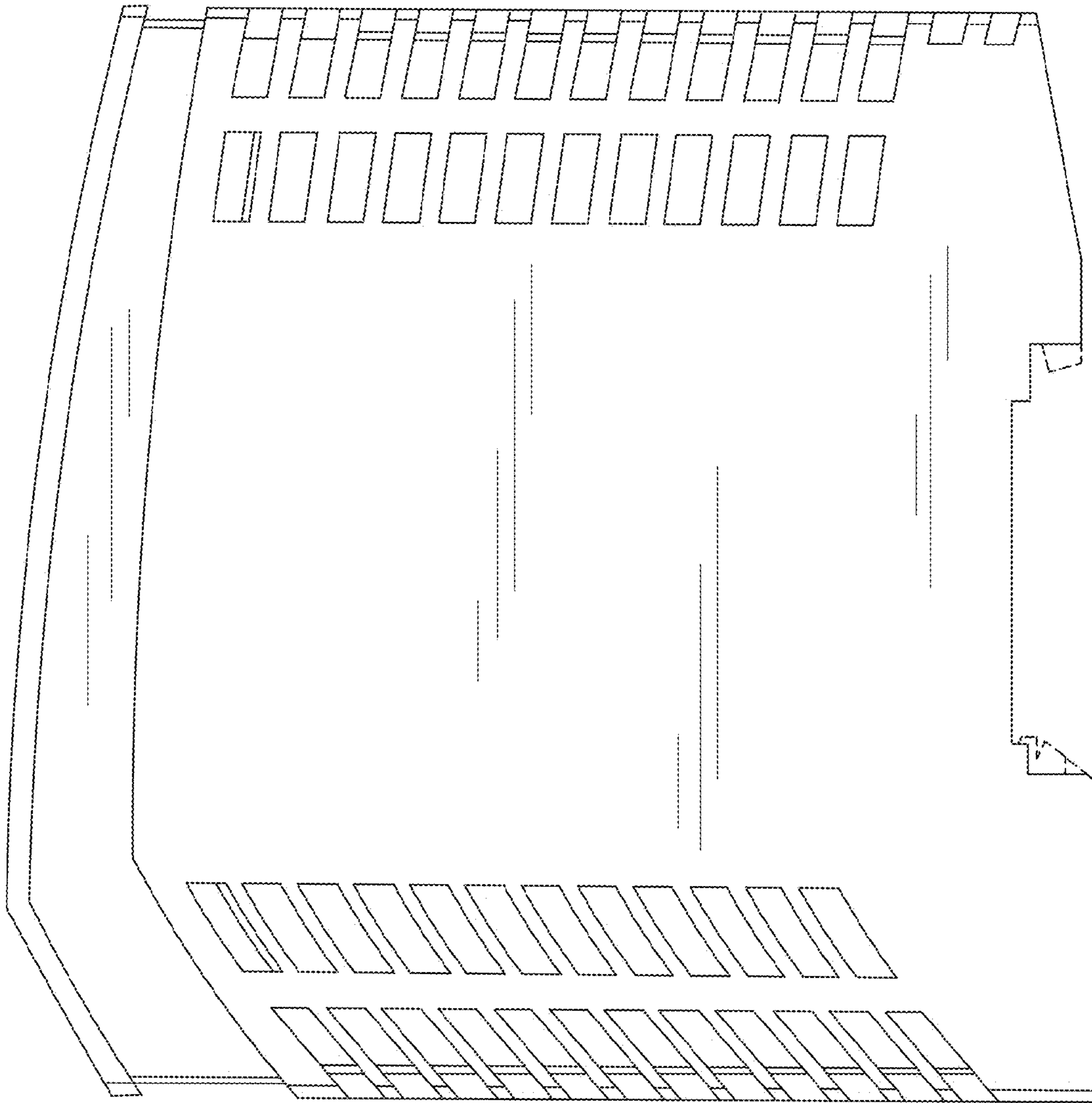


FIG.4

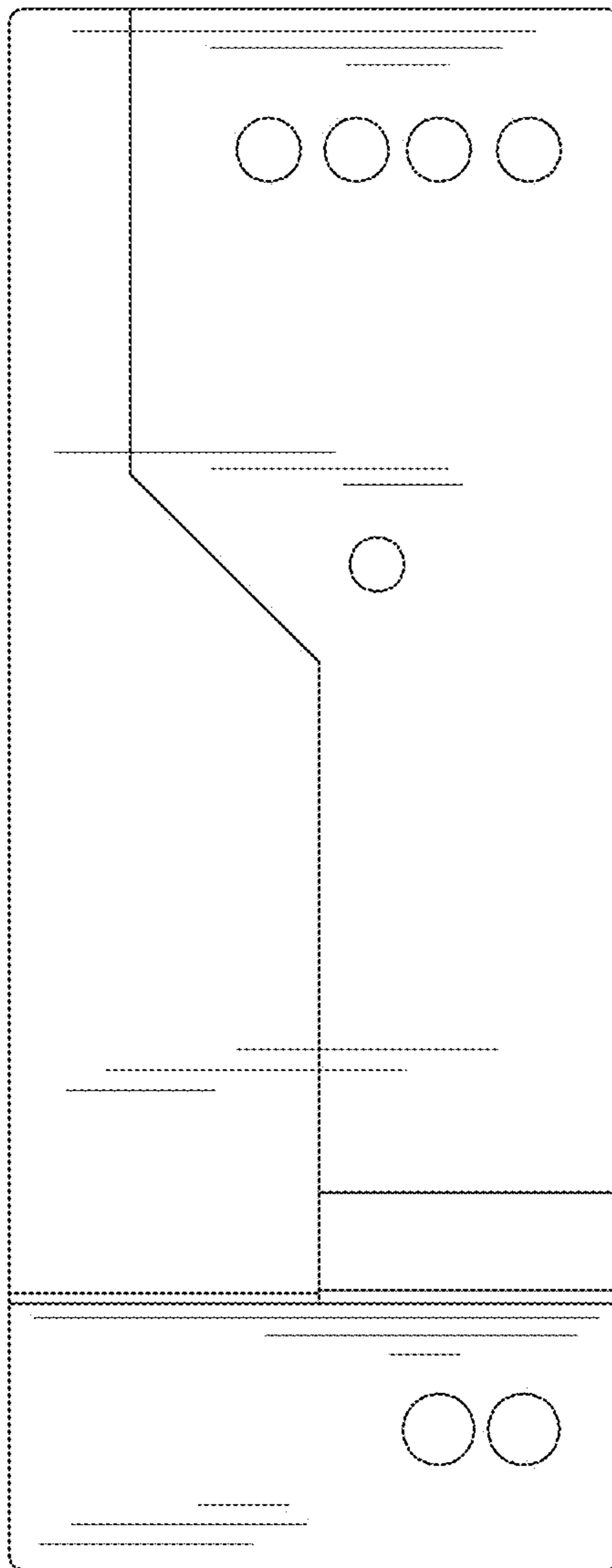


FIG. 5

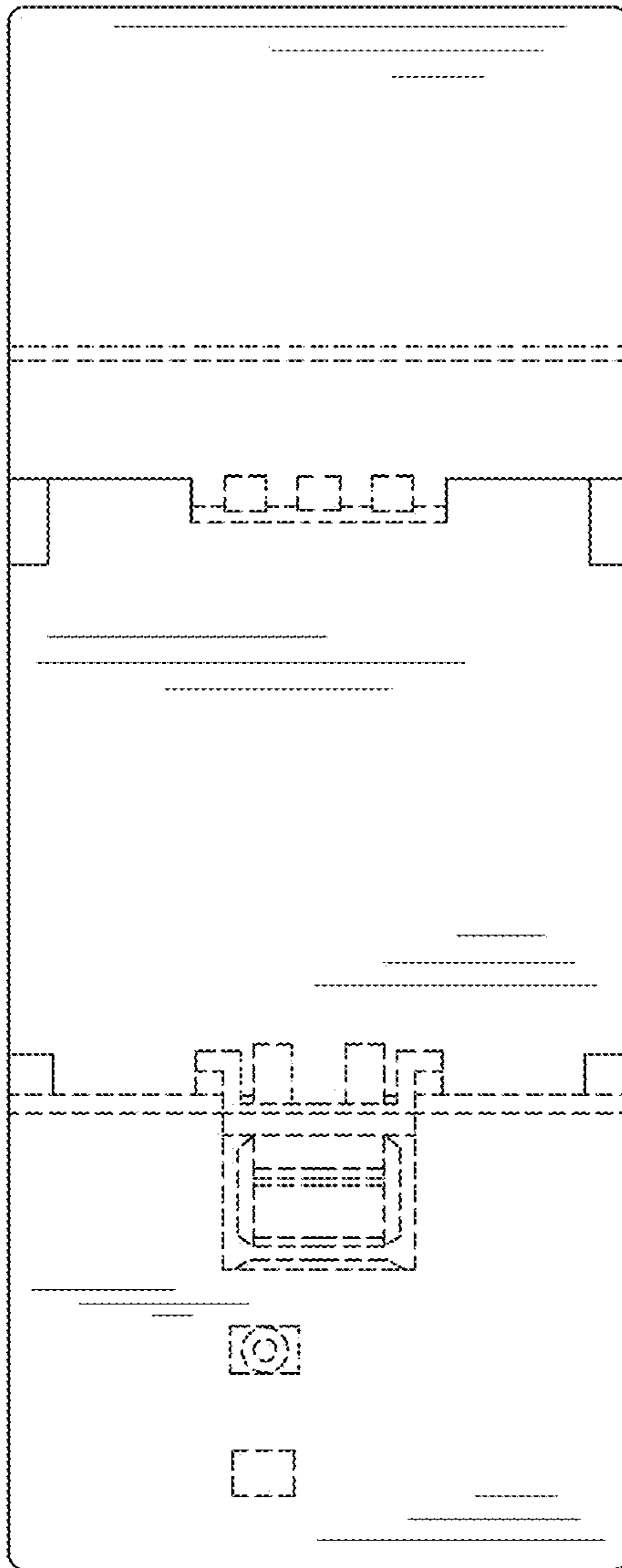


FIG. 6

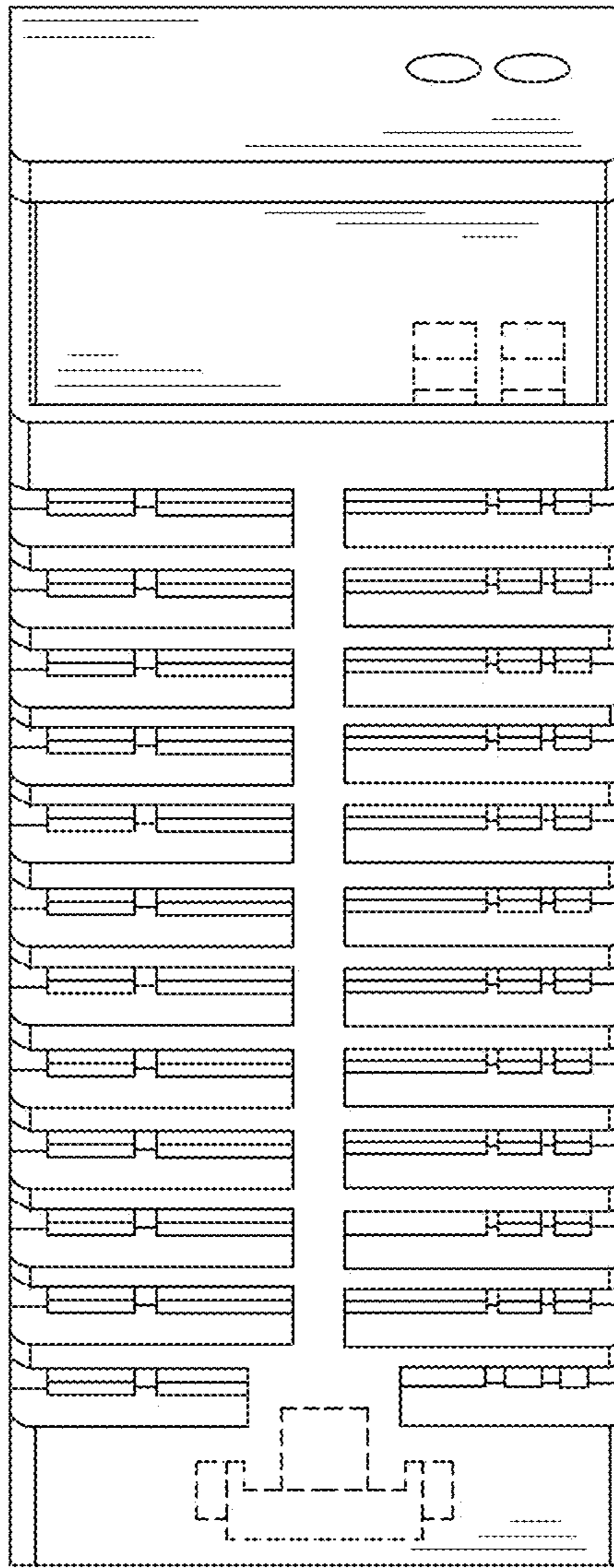


FIG. 7