



US00D705161S

(12) **United States Design Patent**
Chen et al.

(10) **Patent No.:** **US D705,161 S**
(45) **Date of Patent:** **** May 20, 2014**

(54) **WATERPROOF CASING FOR ELECTRONIC DEVICE**

D677,624 S * 3/2013 Goodman D13/112
D682,789 S * 5/2013 Au D13/137.3
D686,574 S * 7/2013 Miller D13/139.8
D692,827 S * 11/2013 Chen et al. D13/110

(71) Applicant: **Sinpro Electronics Co., Ltd.**, Pingtung (TW)

(72) Inventors: **Chih-Ming Chen**, Pingtung (TW); **Chinkuo Hu**, Pingtung (TW); **Hui-Ling Hsieh**, Pingtung (TW); **Han-Liang Li**, Pingtung (TW)

(73) Assignee: **Sinpro Electronics Co., Ltd.**, Pingtung (TW)

(**) Term: **14 Years**

(21) Appl. No.: **29/434,030**

(22) Filed: **Oct. 9, 2012**

(51) **LOC (10) Cl.** **13-03**

(52) **U.S. Cl.**
USPC **D13/110**

(58) **Field of Classification Search**
USPC D13/110, 103, 107, 108, 118, 119, 123, D13/133, 137.1, 184, 199; D14/240, 356, D14/432, 433, 434; 174/53, 54, 59, 61; 320/111, 112, 113, 114; 439/131, 172, 439/626, 628, 638

See application file for complete search history.

(56) **References Cited**

U.S. PATENT DOCUMENTS

D654,432 S * 2/2012 Brookshire et al. D13/110
D656,098 S * 3/2012 Wung D13/110
D662,880 S * 7/2012 Scott et al. D13/110
D664,921 S * 8/2012 Stone et al. D13/110
D665,348 S * 8/2012 Ledbetter et al. D13/110
D667,788 S * 9/2012 Mai D13/110
D667,789 S * 9/2012 O'Neil D13/110
D674,349 S * 1/2013 Lee et al. D13/139.8

OTHER PUBLICATIONS

Led Power Supply-120w, no image post date information, site visited, Dec. 2, 2013 [online], Copyright © 2013. Weblink.In Pvt. Ltd. All Rights Reserved, <<http://www.indianyellowpages.com/sinpro-electronics-co-ltd/products.htm?slno=346444>>.*
120W LED Power Supply, Meet IPU67, Active Power Factor Correction, Dec. 2, 2013, [online], Copyright © 2013 Trade Media Holdings Ltd. Copyright © 2013 Trade Media Ltd., <<http://sinpro.manufacturer.globalsources.com/si/6008800240569/pdtl/Constant-current/1074408187/LED-Power-Supply.htm>>.*

* cited by examiner

Primary Examiner — Deanna L Pratt

Assistant Examiner — Harold Blackwell, II

(74) *Attorney, Agent, or Firm* — C. G. Mersereau; Nikolai & Mersereau, P.A.

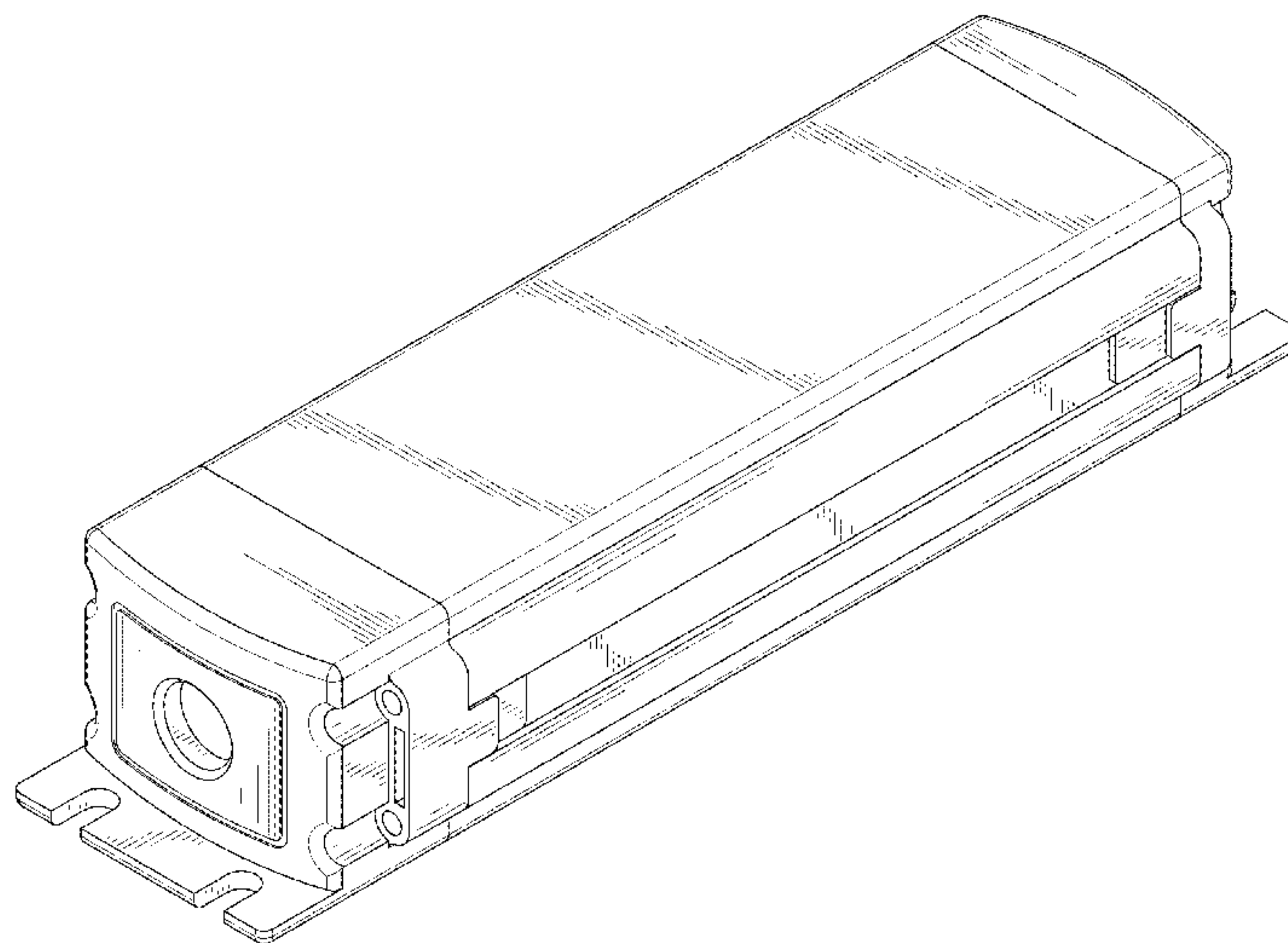
(57) **CLAIM**

The ornamental design for a waterproof casing for electronic device, as shown.

DESCRIPTION

FIG. 1 is a perspective view of a waterproof casing for electronic device, showing our new design;
FIG. 2 is a front view thereof;
FIG. 3 is a rear view thereof;
FIG. 4 is a left side view thereof;
FIG. 5 is a right side view thereof;
FIG. 6 is a top view thereof;
FIG. 7 is a bottom view thereof; and,
FIG. 8 is another perspective view thereof.

1 Claim, 6 Drawing Sheets



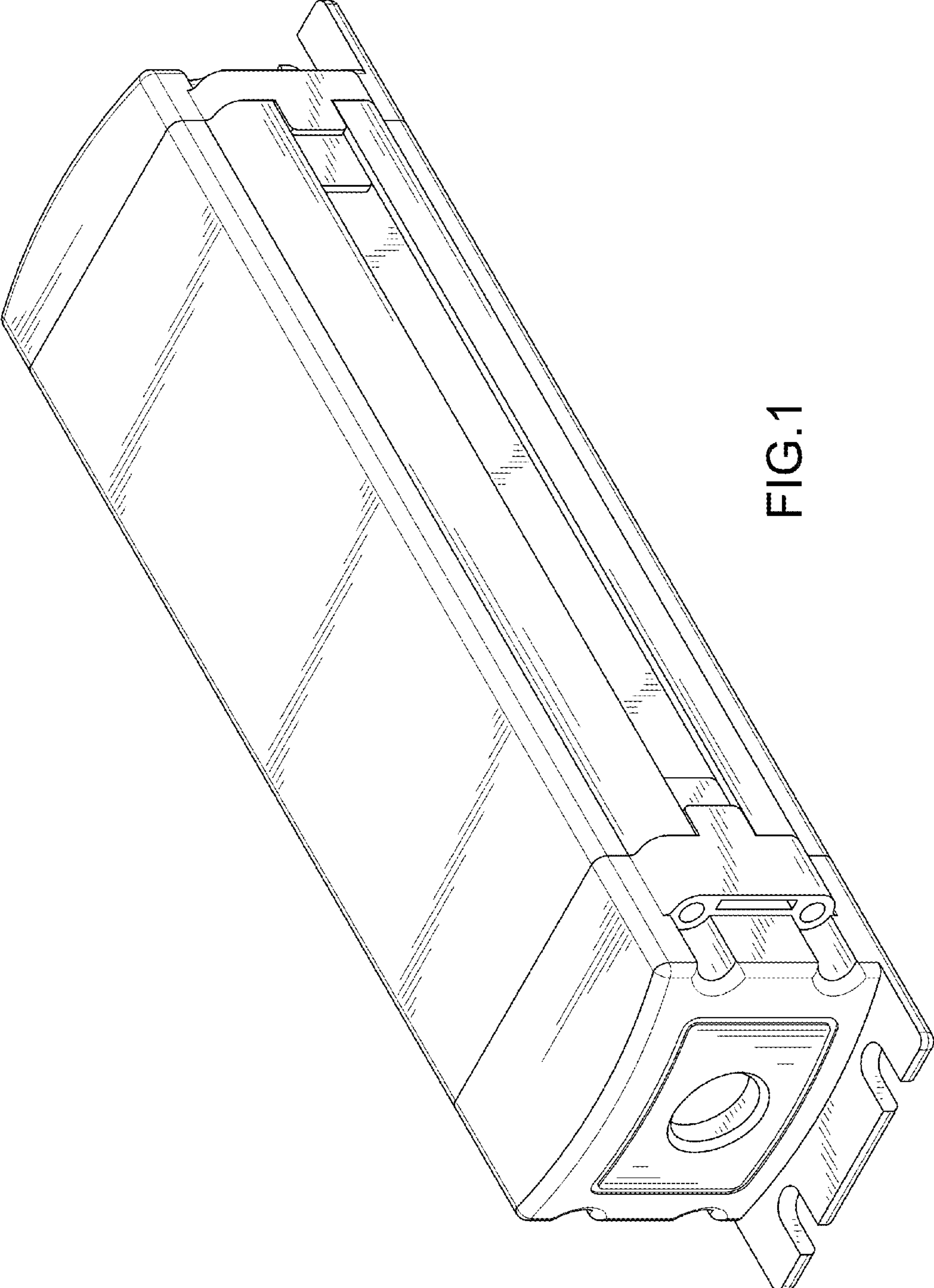


FIG.1

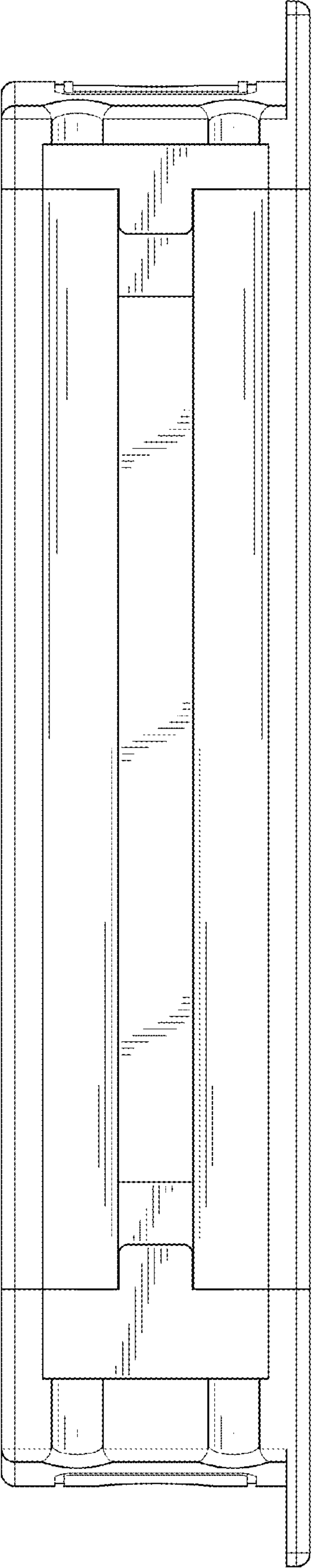


FIG. 2

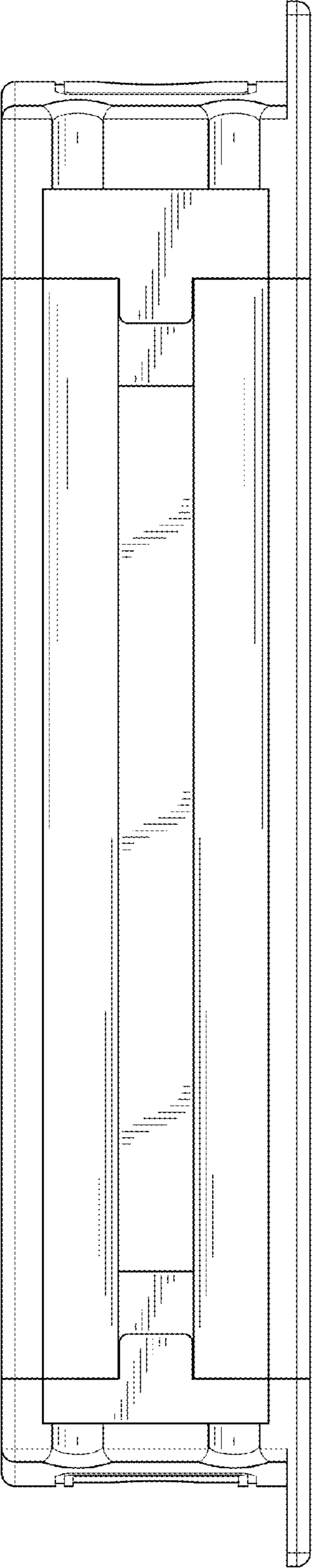


FIG. 3

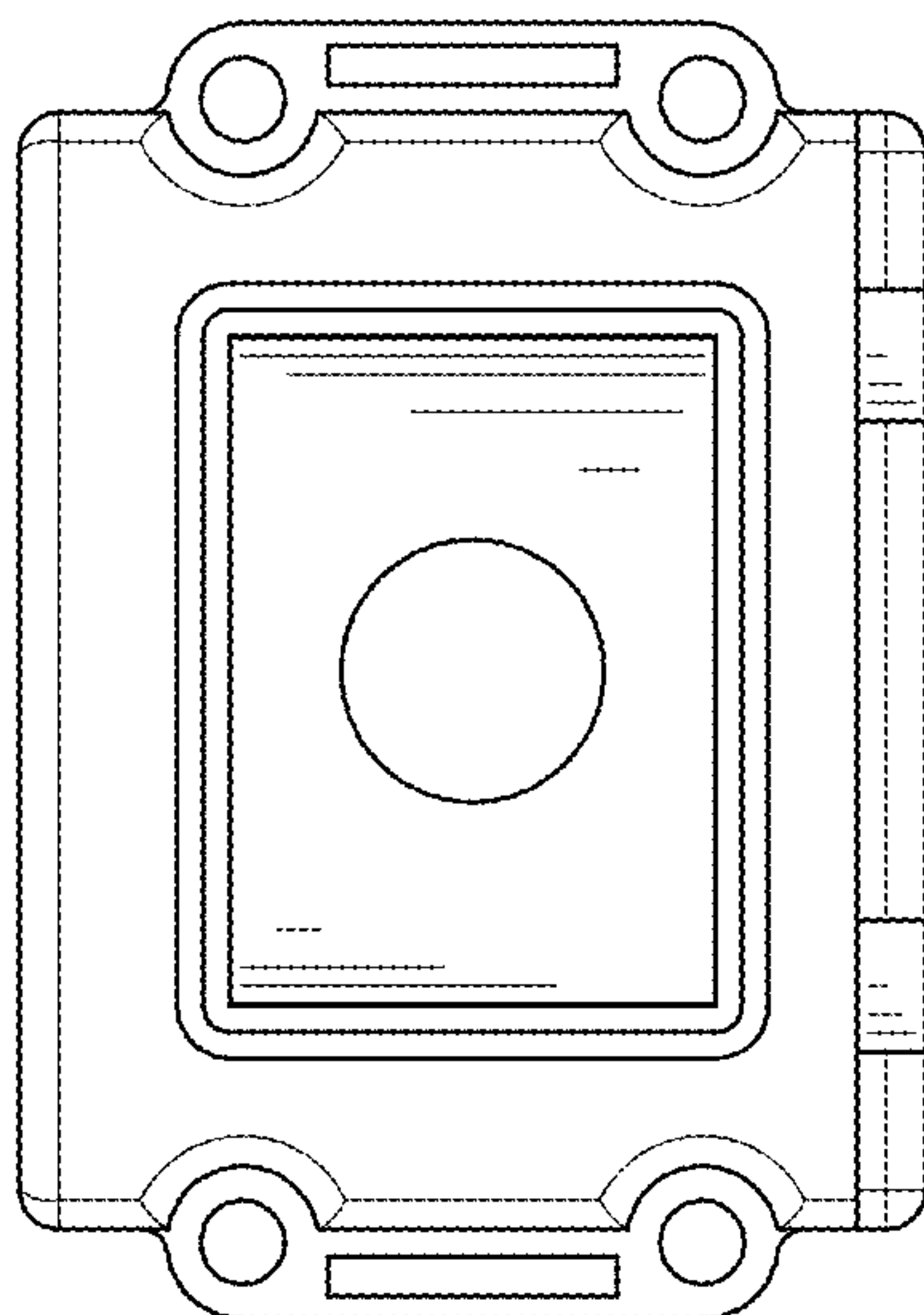


FIG.5

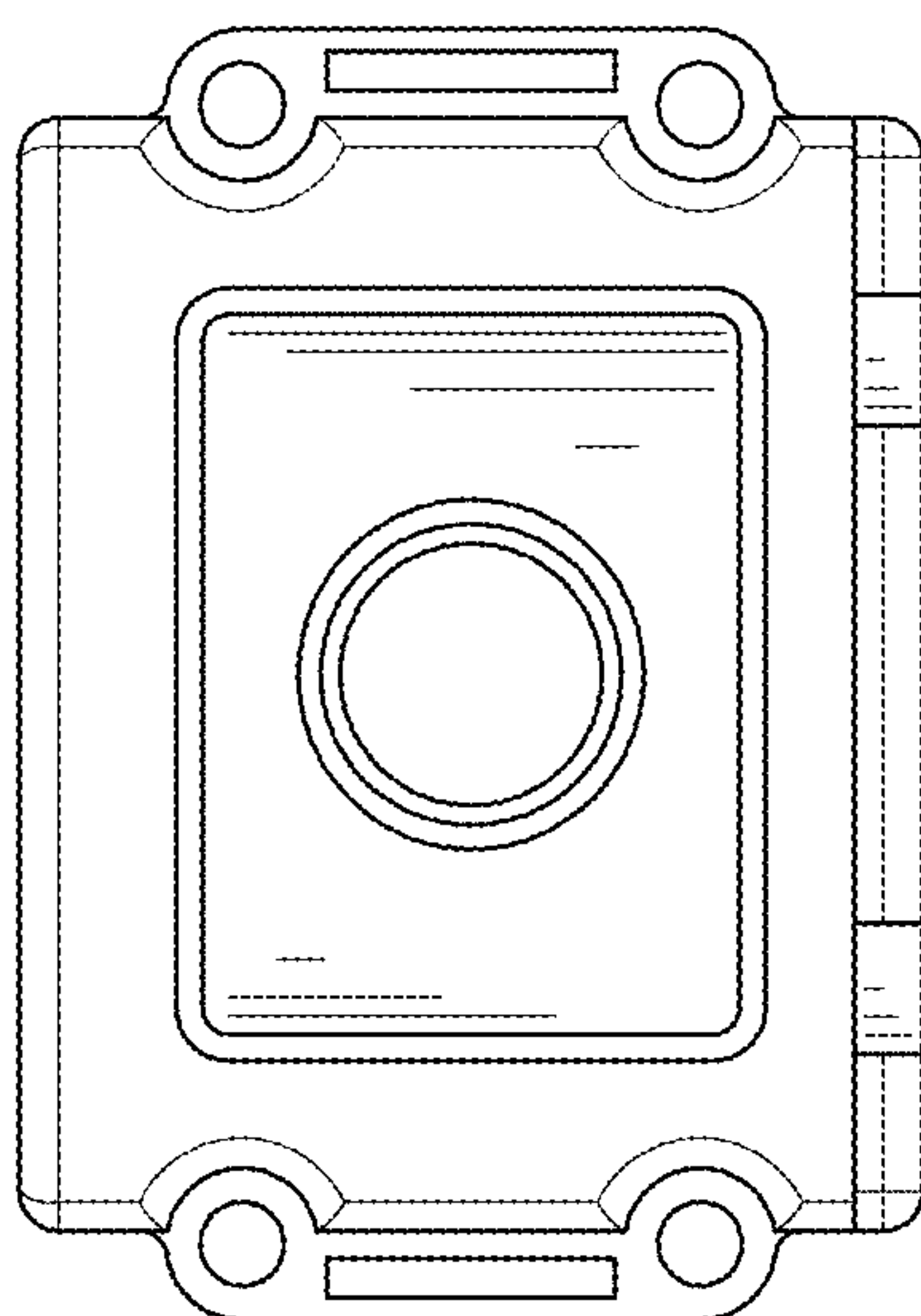


FIG.4

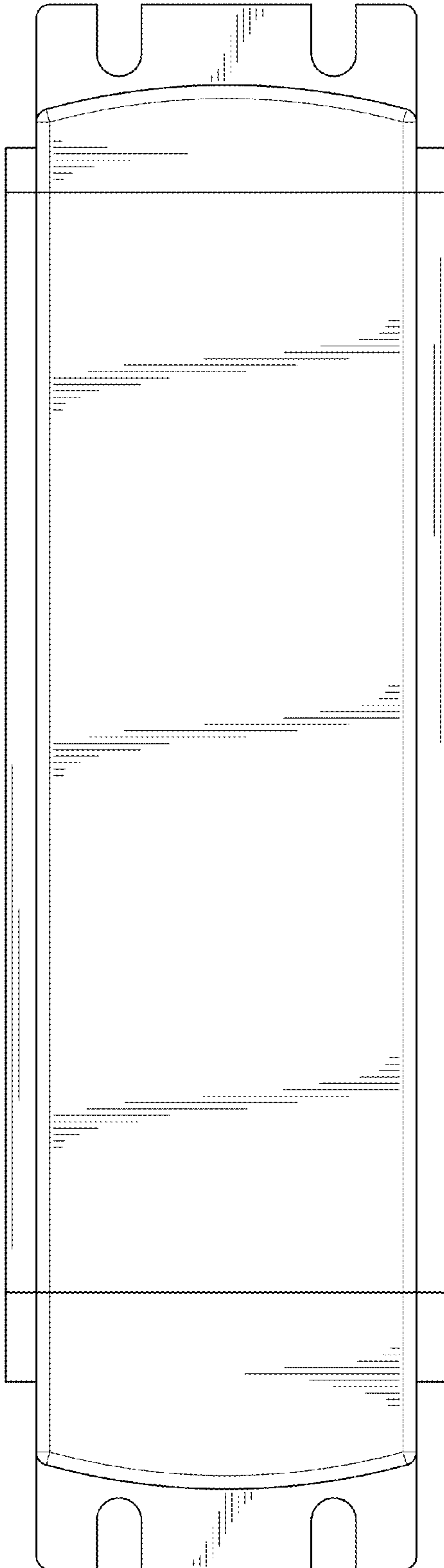


FIG.6

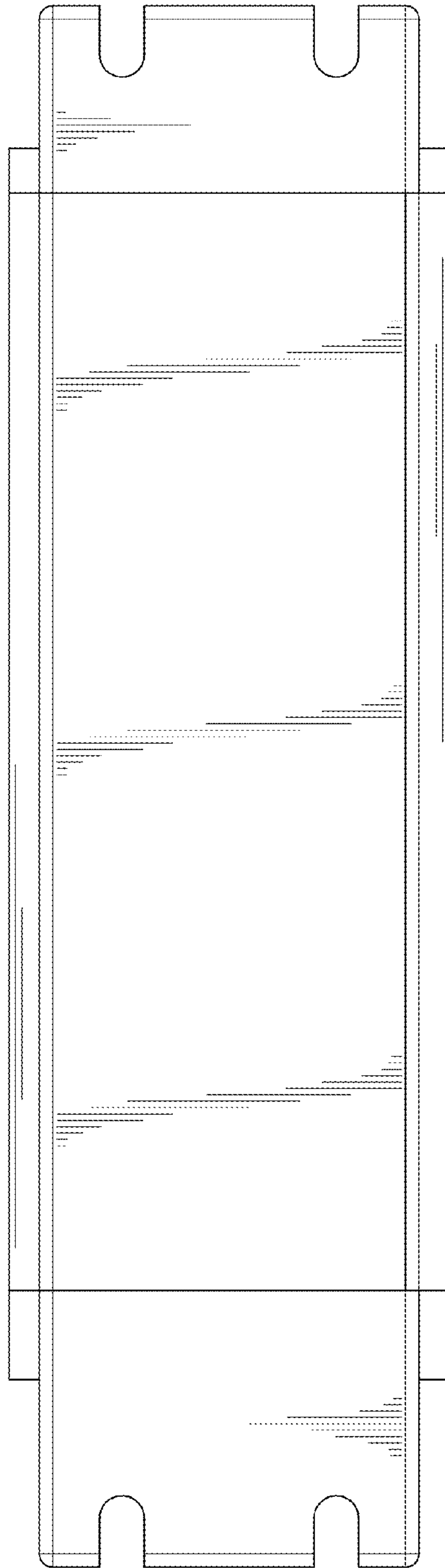


FIG.7

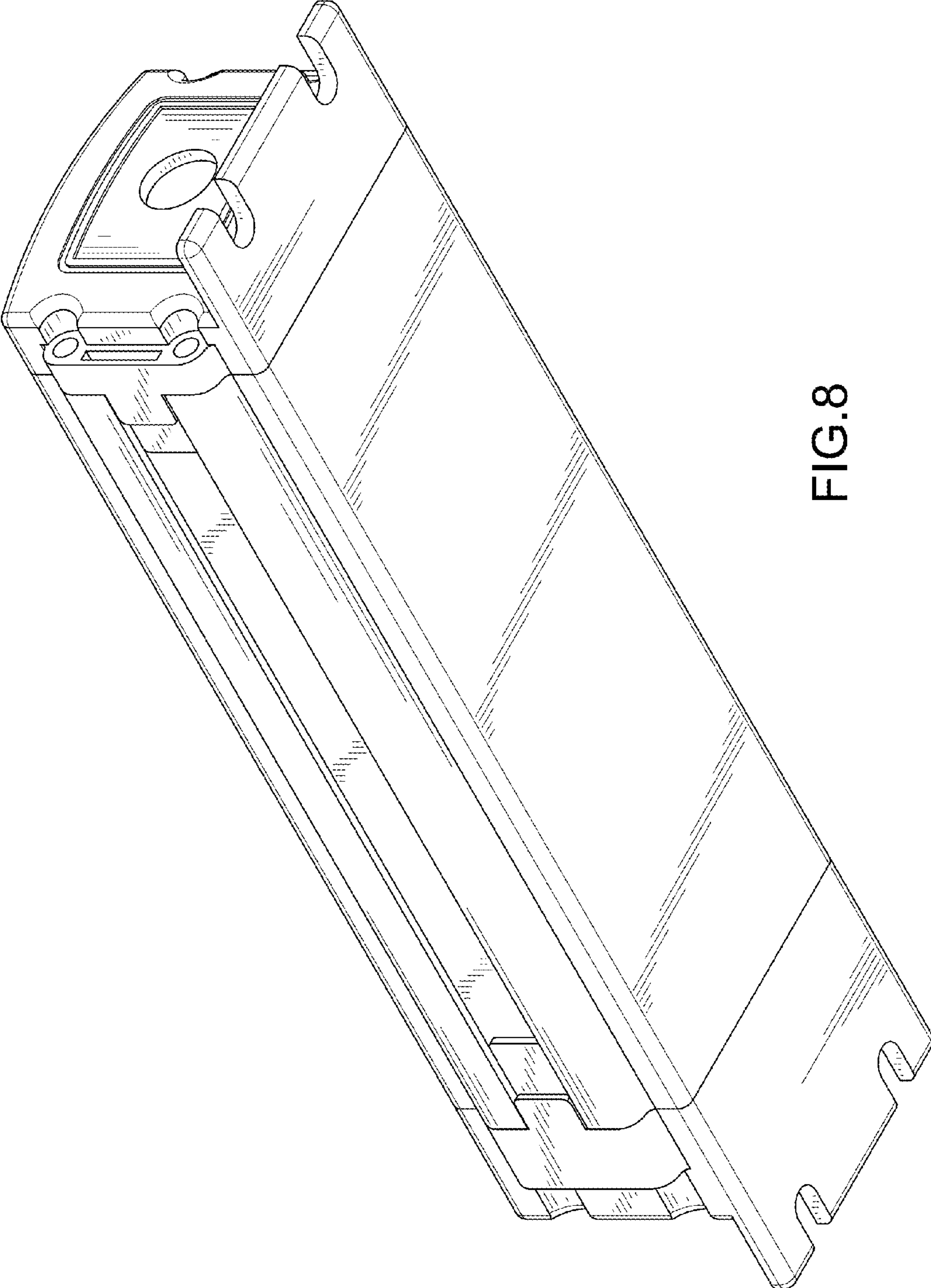


FIG.8