



US00D705160S

(12) **United States Design Patent**  
**Ormesher et al.**

(10) **Patent No.:** **US D705,160 S**

(45) **Date of Patent:** **\*\* May 20, 2014**

(54) **CHARGING MAT**

(71) Applicant: **Everpurse, Inc.**, Chicago, IL (US)

(72) Inventors: **Liz Salcedo Ormesher**, Chicago, IL (US); **Daniel Salcedo**, Chicago, IL (US)

(73) Assignee: **Everpurse, Inc.**, Chicago, IL (US)

(\*\*) Term: **14 Years**

(21) Appl. No.: **29/466,410**

(22) Filed: **Sep. 6, 2013**

(51) **LOC (10) Cl.** ..... **13-02**

(52) **U.S. Cl.**  
USPC ..... **D13/108**

(58) **Field of Classification Search**  
USPC ..... D13/107–110, 118–119, 184, 199;  
D14/251, 253, 432, 434; 320/107–115  
See application file for complete search history.

(56) **References Cited**

**U.S. PATENT DOCUMENTS**

D574,769 S *	8/2008	Fisher et al.	.....	D13/108
D578,960 S *	10/2008	Fisher et al.	.....	D13/108
D578,961 S *	10/2008	Fisher et al.	.....	D13/108
D611,408 S *	3/2010	Ferber et al.	.....	D13/108
D611,898 S *	3/2010	Yang	.....	D13/108
D611,899 S *	3/2010	Yang	.....	D13/108
D611,900 S *	3/2010	Yang	.....	D13/108
D623,133 S *	9/2010	Nomi et al.	.....	D13/108

D630,163 S *	1/2011	Yeh	.....	D13/108
D636,724 S *	4/2011	Nomi et al.	.....	D13/108
D637,951 S *	5/2011	Perez	.....	D13/108
D644,989 S *	9/2011	Guccione et al.	.....	D13/108
D656,097 S *	3/2012	Nomi et al.	.....	D13/108
D668,605 S *	10/2012	Park	.....	D13/108
D669,432 S *	10/2012	Park	.....	D13/108
D680,067 S *	4/2013	Nomi	.....	D13/108
D680,540 S *	4/2013	Lee	.....	D14/434
D692,375 S *	10/2013	Mamane	.....	D13/108

\* cited by examiner

*Primary Examiner* — Rosemary K Tarcza

(74) *Attorney, Agent, or Firm* — Richards Patent Law PC

(57) **CLAIM**

The ornamental design for a charging mat, as shown and described.

**DESCRIPTION**

FIG. 1 is a top perspective view of a charging mat showing our new design;

FIG. 2 is a top view thereof;

FIG. 3 is a bottom view thereof;

FIG. 4 is a front view thereof;

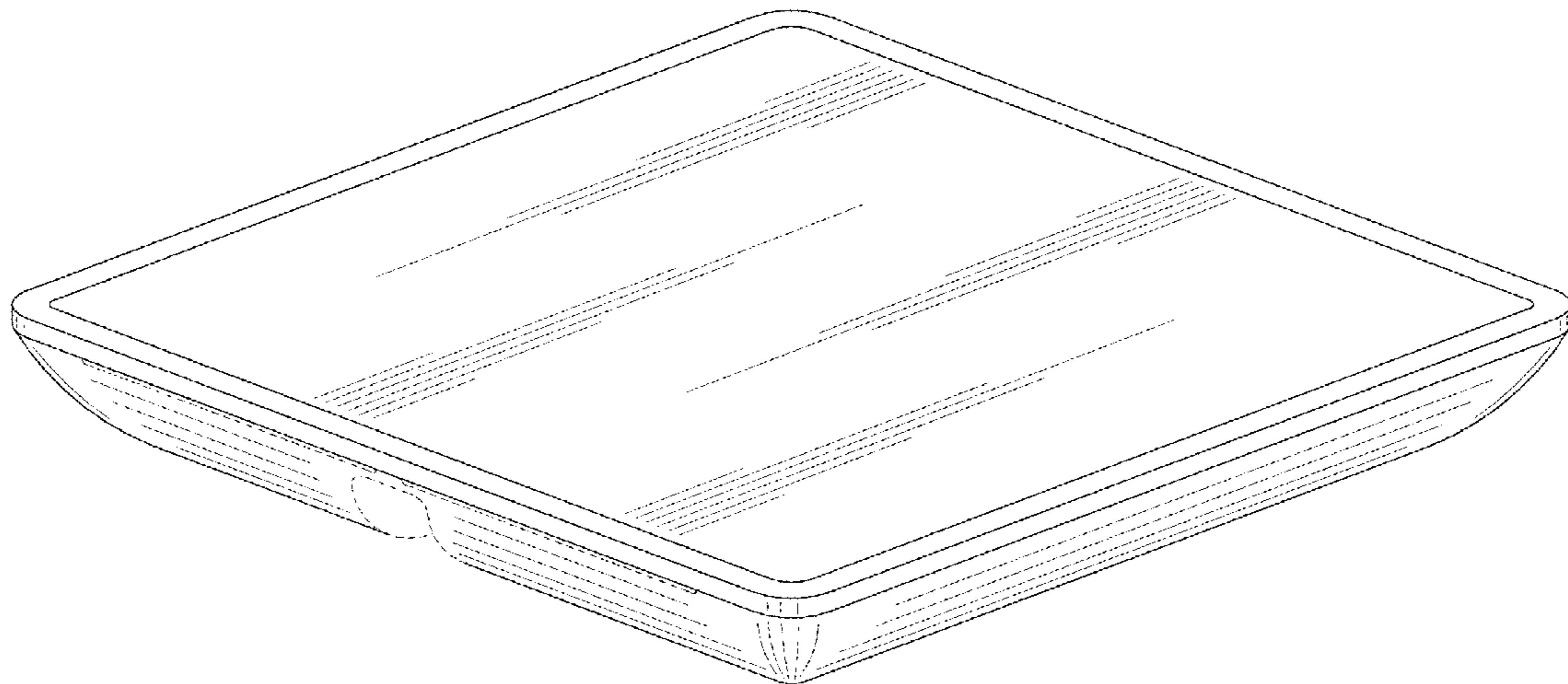
FIG. 5 is a back view thereof;

FIG. 6 is a right side view thereof; and,

FIG. 7 is a left side view thereof.

Those portions of the figures that are presented in broken lines merely illustrate the environment of the design and are not part of the claimed design.

**1 Claim, 4 Drawing Sheets**



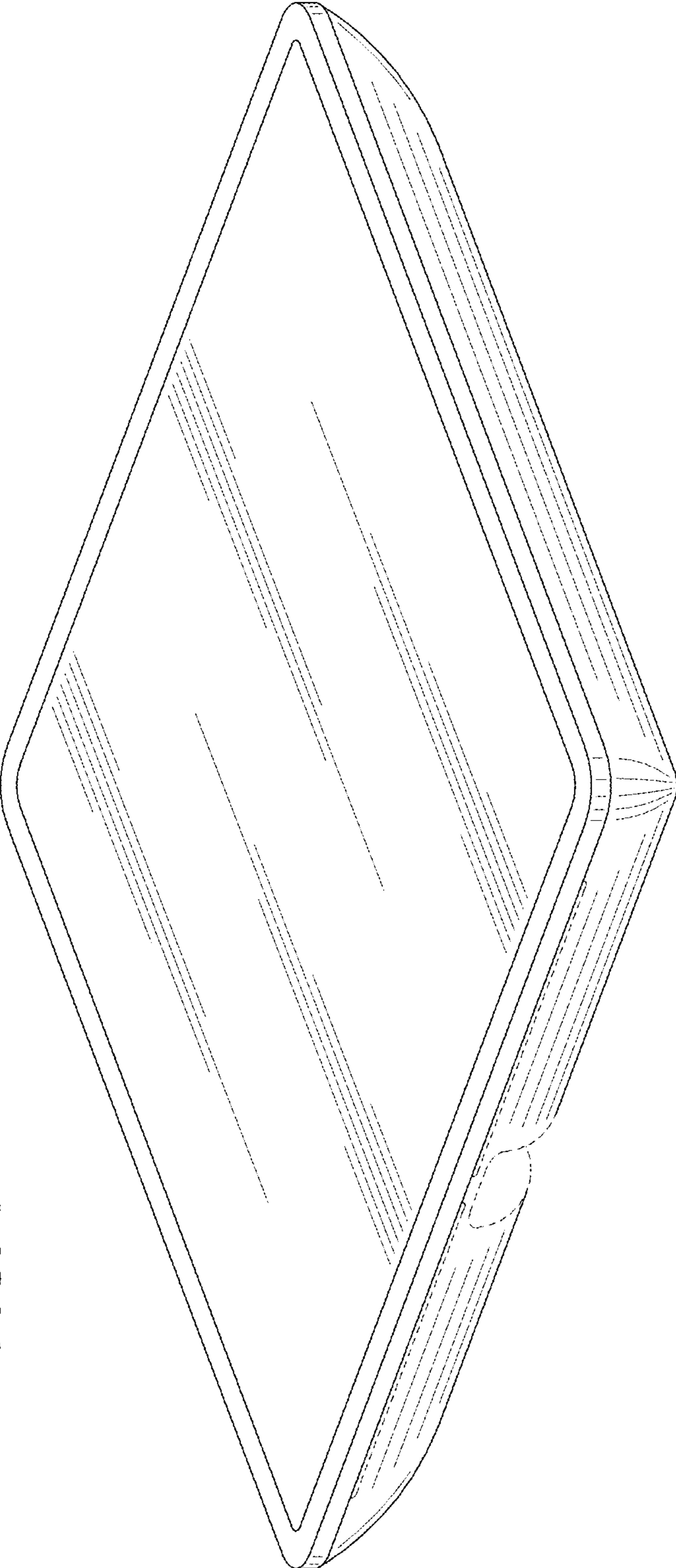


FIG. 1

FIG. 2

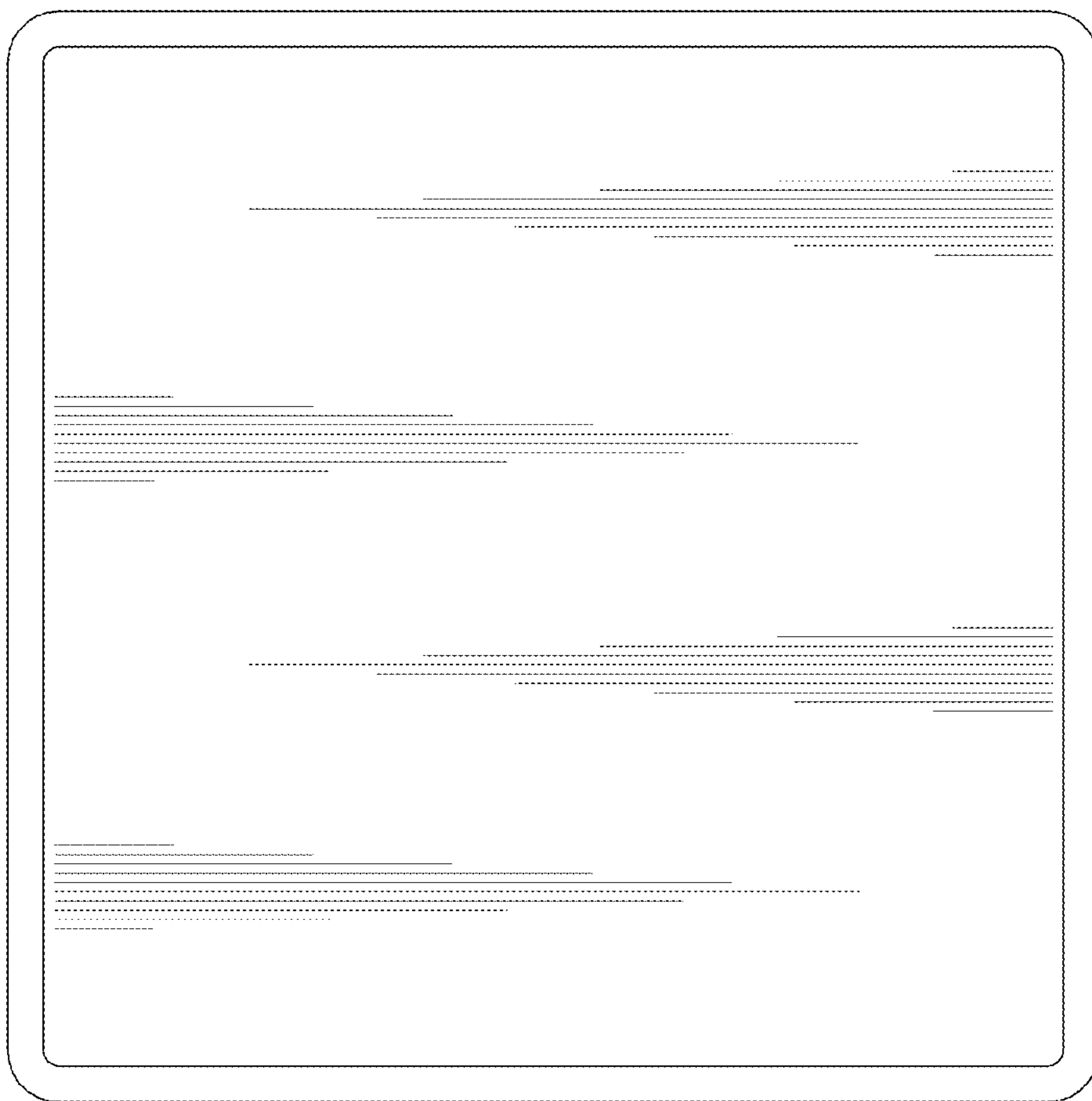


FIG. 3

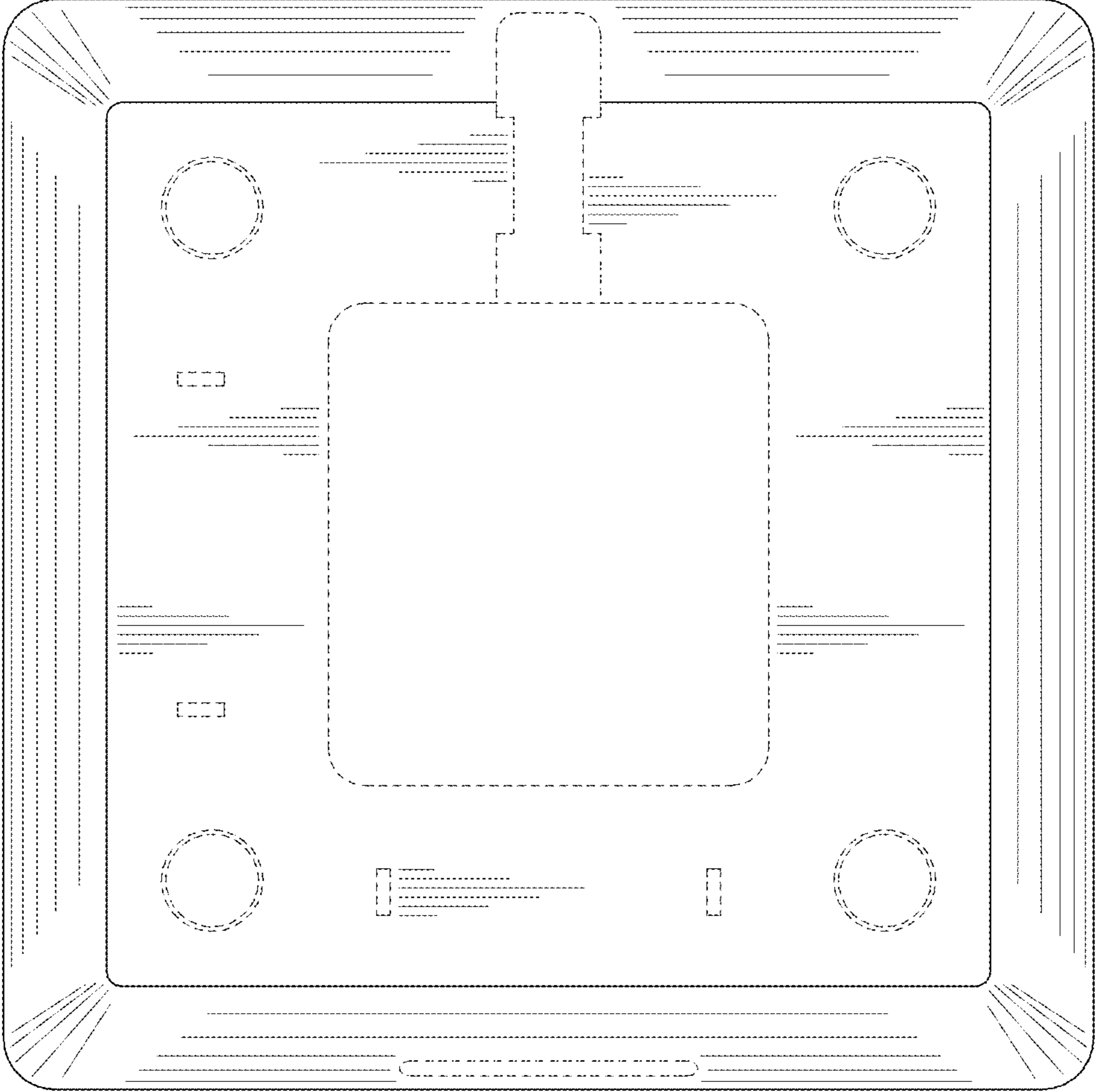


FIG. 4

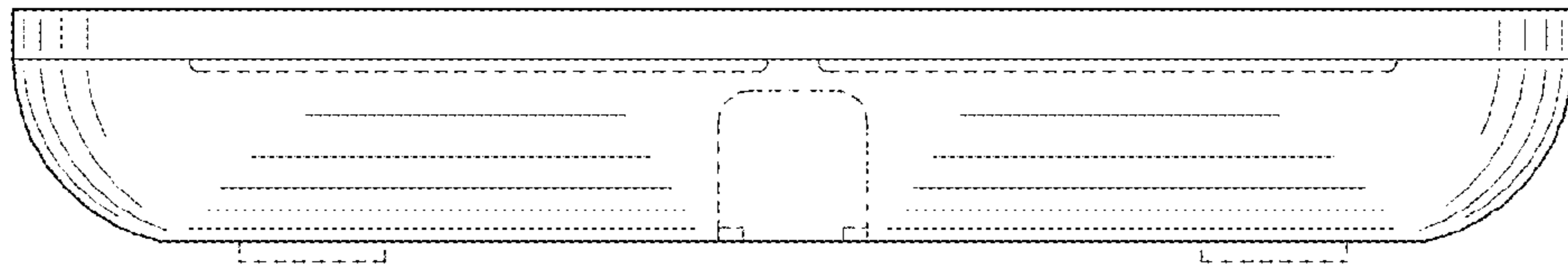


FIG. 5

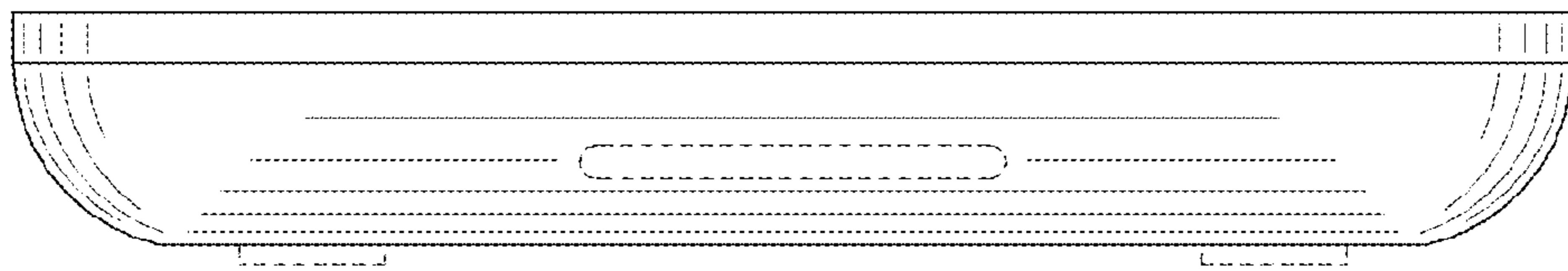


FIG. 6

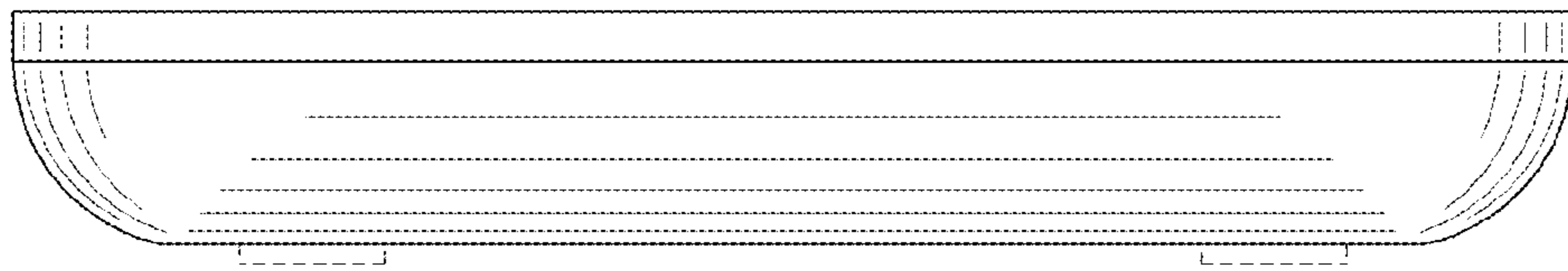


FIG. 7

