



US00D705159S

(12) **United States Design Patent**  
**Levy et al.**

(10) **Patent No.:** **US D705,159 S**  
(45) **Date of Patent:** **\*\* May 20, 2014**

- (54) **CELL PHONE CHARGER**
- (71) Applicant: **Navajo Manufacturing Company,**  
Denver, CO (US)
- (72) Inventors: **Gordon Levy,** Golden, CO (US);  
**Qingjun Wang,** Shenzhen (CN)
- (73) Assignee: **Navajo Manufacturing Company, Inc.,**  
Denver, CO (US)
- (\*\*) Term: **14 Years**
- (21) Appl. No.: **29/458,260**
- (22) Filed: **Jun. 18, 2013**
- (30) **Foreign Application Priority Data**

Dec. 25, 2012 (CN) ..... 2012 3 0652413

- (51) **LOC (10) CL.** ..... **13-02**
- (52) **U.S. Cl.**  
USPC ..... **D13/108; D13/144**
- (58) **Field of Classification Search**  
USPC ..... D13/107-110, 118-119, 138.1-138.2,  
D13/144, 184, 199; D14/155; 320/107-115;  
363/146; 439/300, 638, 668-669, 675,  
439/825

See application file for complete search history.

(56) **References Cited**

**U.S. PATENT DOCUMENTS**

4,701,741	A	10/1987	Bert	
D330,885	S	11/1992	Tattari	
D369,811	S *	5/1996	Chen	D14/248
D398,287	S	9/1998	Luminosu	
5,847,545	A *	12/1998	Chen et al.	320/138
5,901,056	A *	5/1999	Hung	363/142
D456,349	S *	4/2002	Chuang	D13/107
D478,546	S *	8/2003	Andre et al.	D13/110
6,641,405	B2	11/2003	Chou	
D509,792	S *	9/2005	Hsu	D13/110

D510,318	S *	10/2005	Hsu	D13/110
D526,962	S	8/2006	Krieger et al.	
D546,287	S *	7/2007	Tanishita	D13/144
D551,170	S	9/2007	Hussaini et al.	
D559,776	S	1/2008	Kim	
D562,231	S *	2/2008	Osiecki et al.	D13/107
D563,873	S	3/2008	Chen et al.	
D574,833	S	8/2008	Hussaini	
D585,825	S *	2/2009	Ji	D13/108
D616,363	S *	5/2010	Weng	D13/107
D617,278	S	6/2010	Tang	
D622,218	S	8/2010	Tseng et al.	
D627,720	S *	11/2010	DuMelle et al.	D13/110
D628,152	S *	11/2010	Fujii et al.	D13/108
D636,725	S *	4/2011	Levy et al.	D13/108
D637,557	S	5/2011	Wegener et al.	
D641,695	S	7/2011	Wegener	
D647,476	S *	10/2011	Ciou	D13/110
D666,968	S *	9/2012	Huang	D13/110
D675,988	S	2/2013	Levy et al.	
D685,326	S *	7/2013	Kim et al.	D13/110
D694,185	S *	11/2013	Matsuoka et al.	D13/110

\* cited by examiner

*Primary Examiner* — Rosemary K Tarca

(74) *Attorney, Agent, or Firm* — Studebaker & Brackett PC

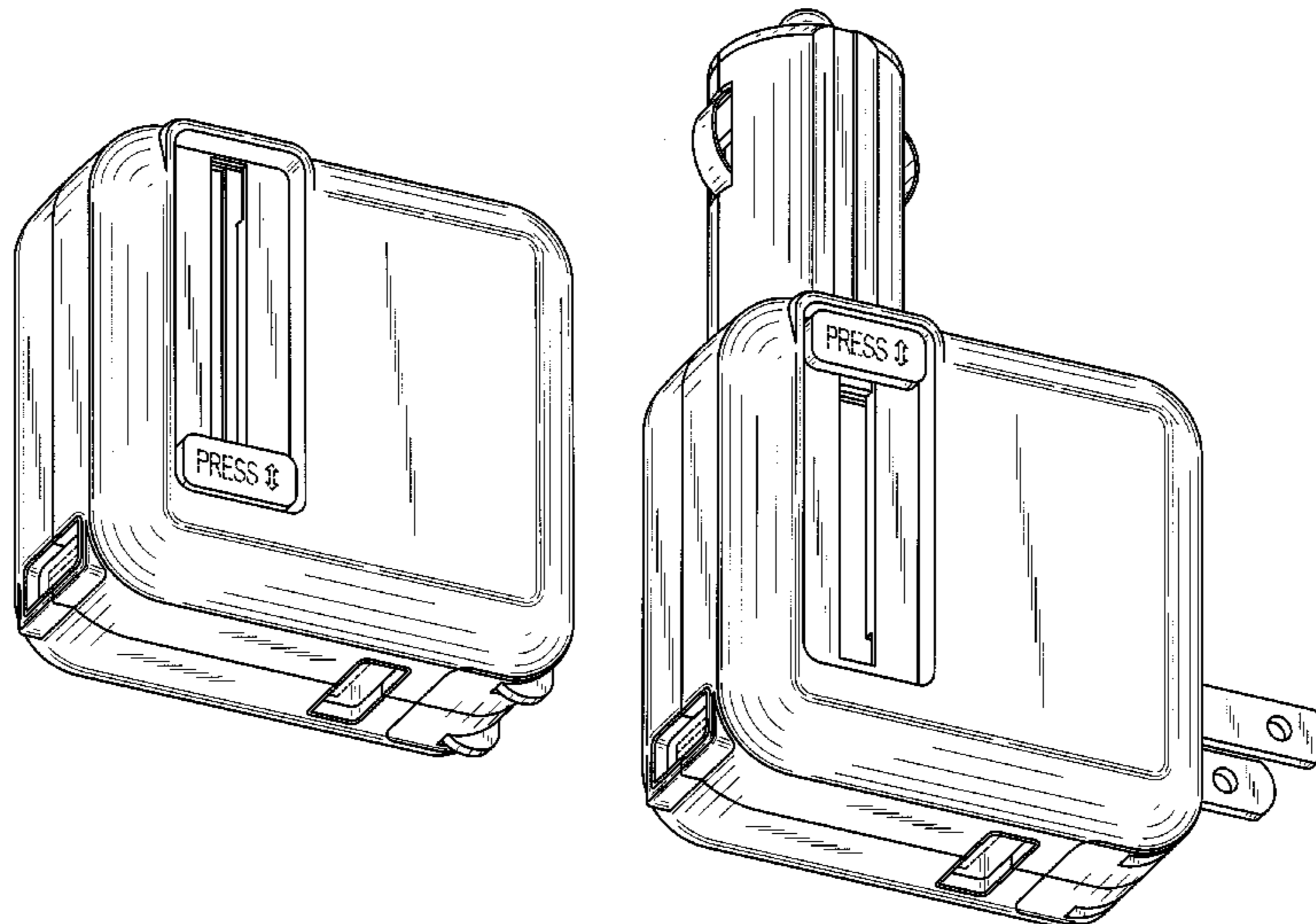
(57) **CLAIM**

The ornamental design for a cell phone charger, as shown and described.

**DESCRIPTION**

FIG. 1 is a perspective view showing our new design for a cell phone charger,  
 FIG. 2 is a right side view thereof,  
 FIG. 3 is a left side view thereof,  
 FIG. 4 is a top view thereof,  
 FIG. 5 is a bottom view thereof,  
 FIG. 6 is a rear view thereof,  
 FIG. 7 is a front view thereof; and,  
 FIG. 8 is another perspective view thereof.  
 The portions shown in dotted lines are for illustrative purposes only, forming no part of the claimed design.

**1 Claim, 6 Drawing Sheets**



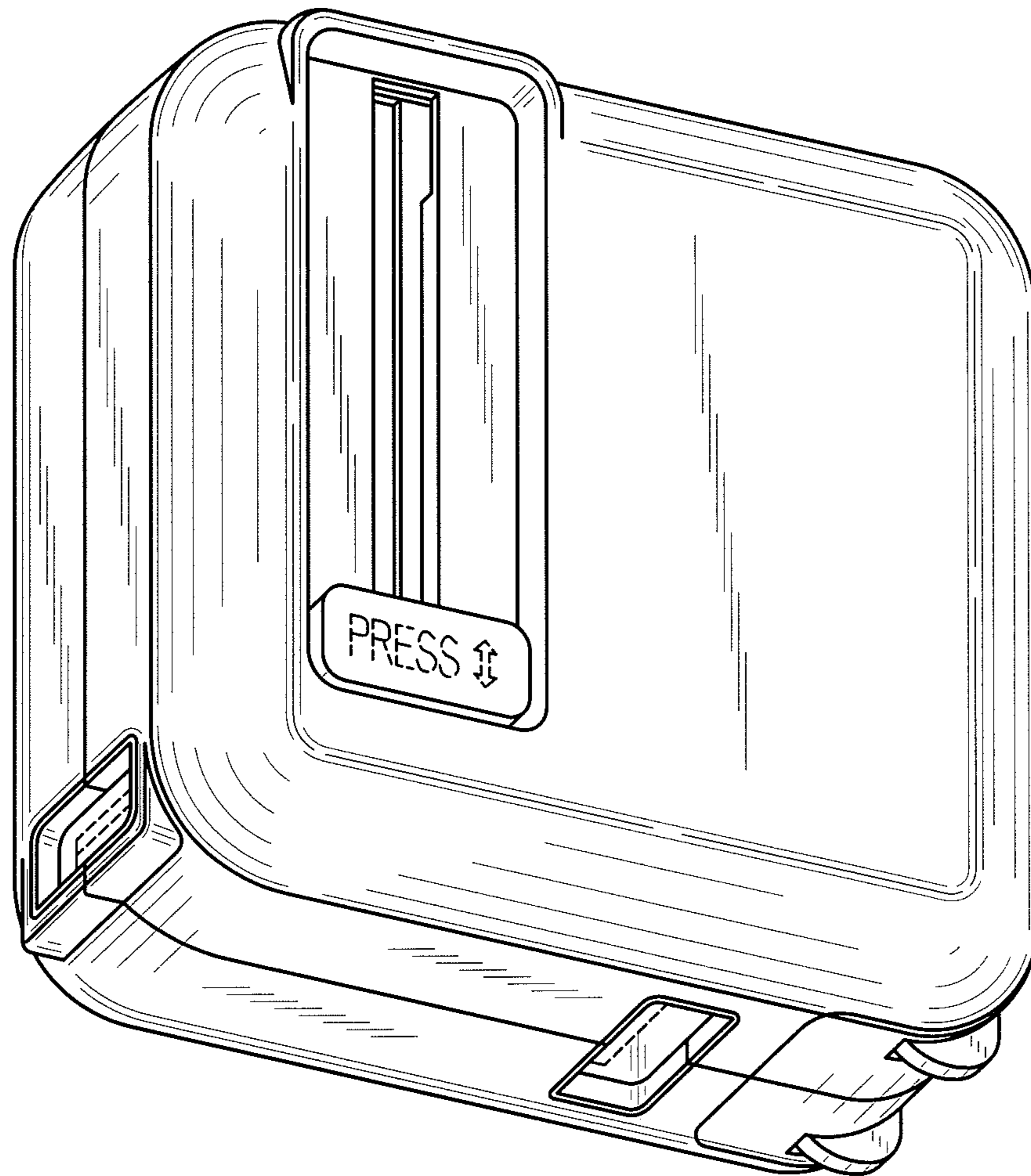


FIG. 1

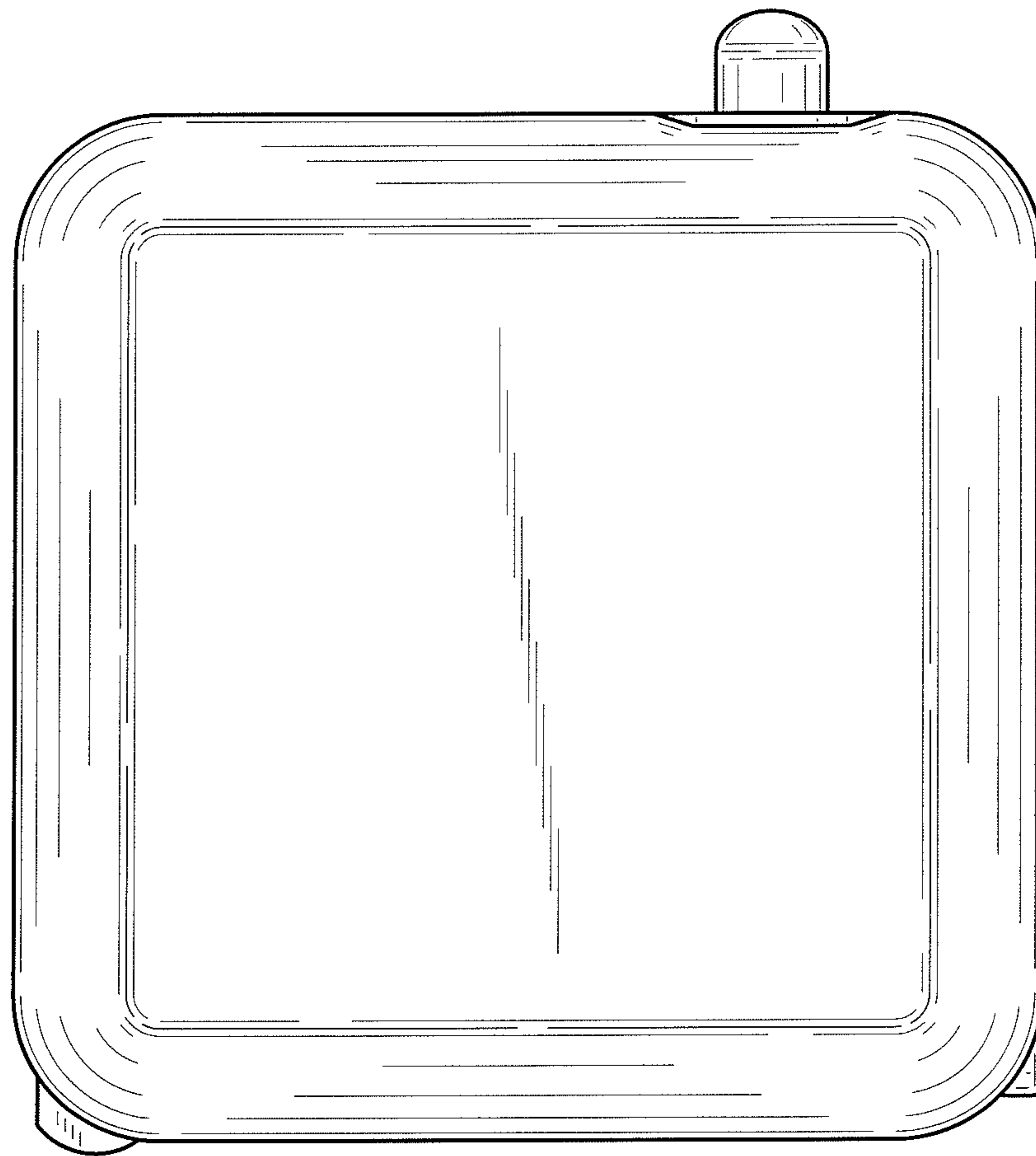


FIG. 2

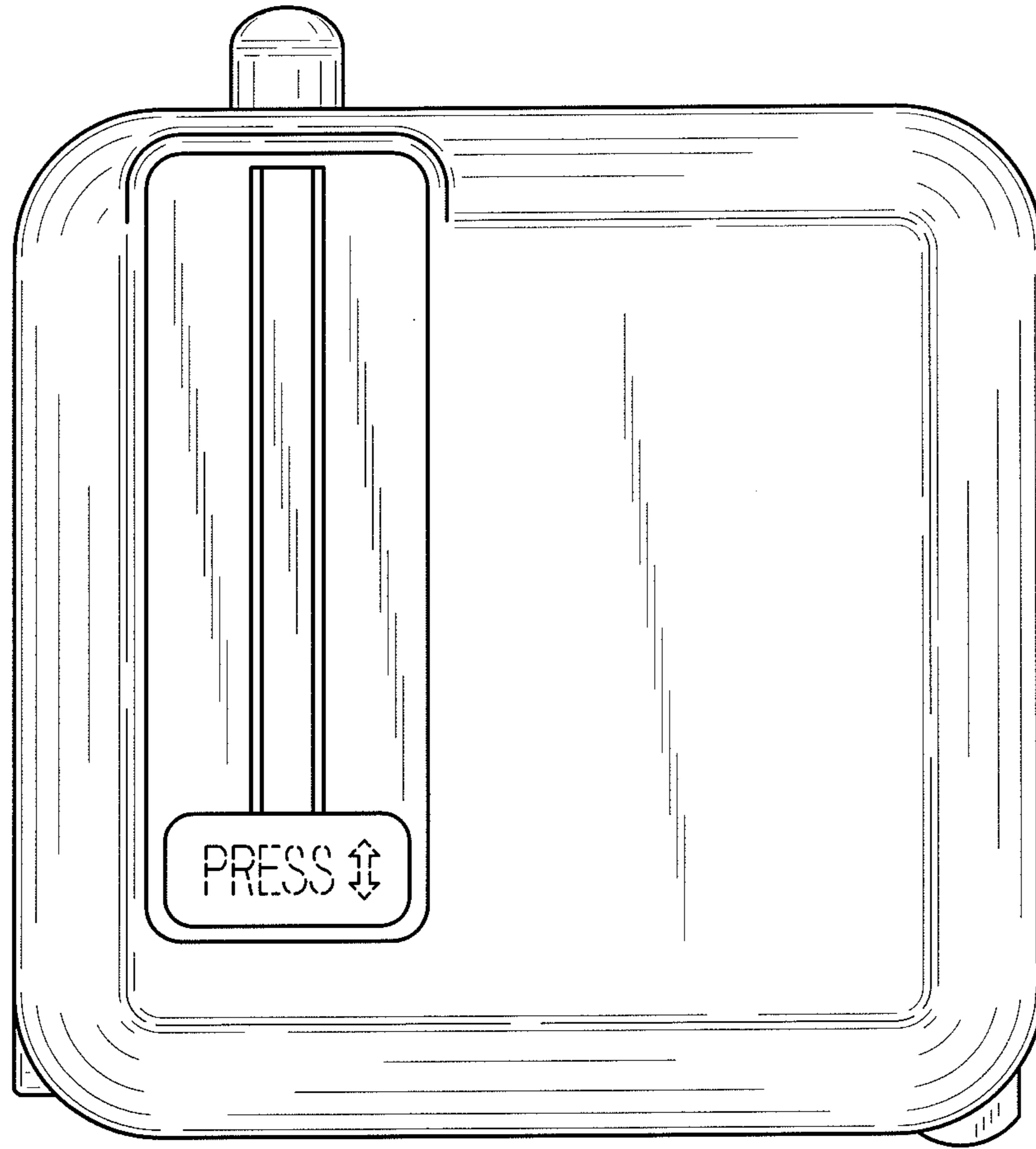


FIG. 3

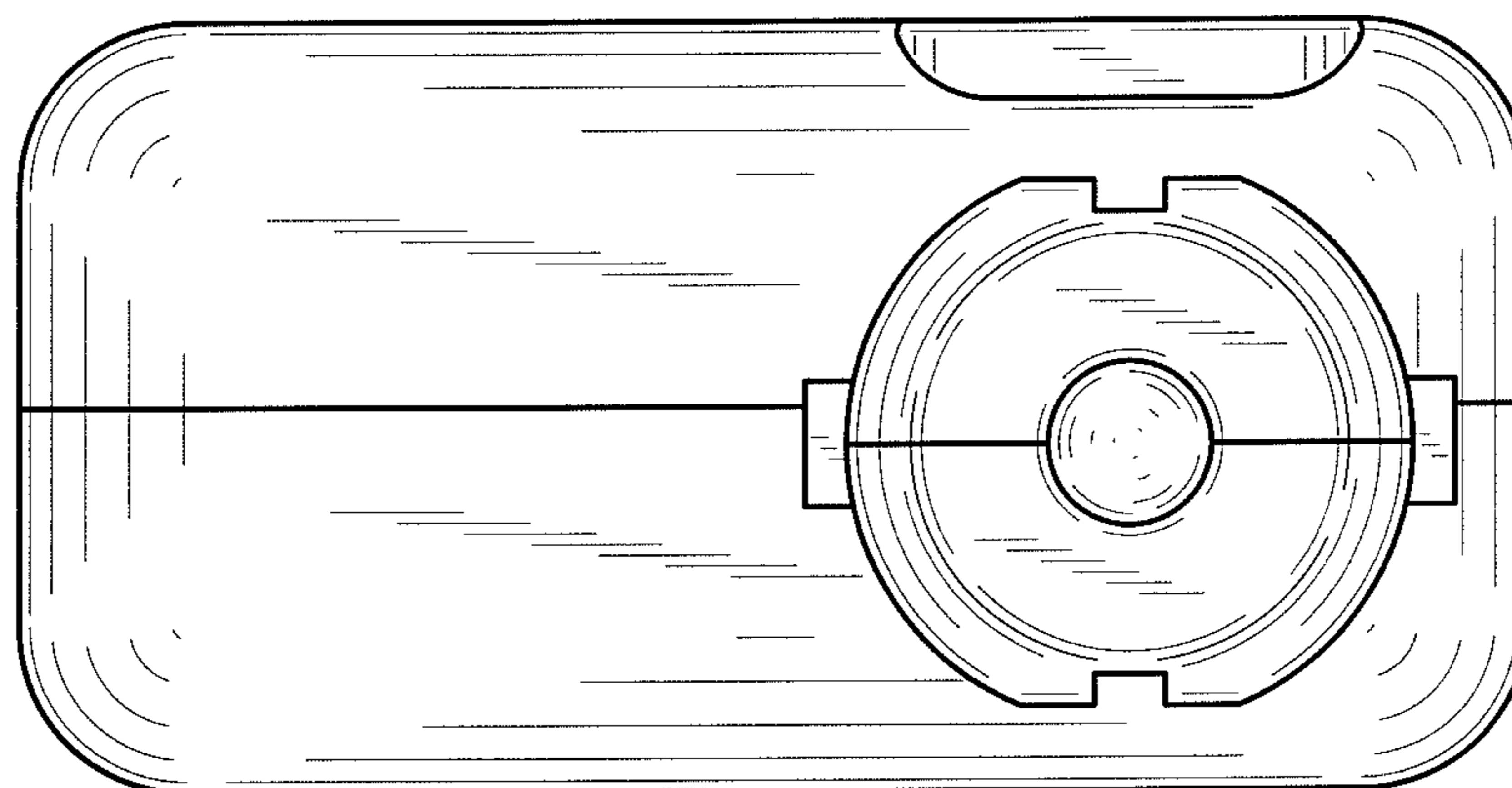


FIG. 4

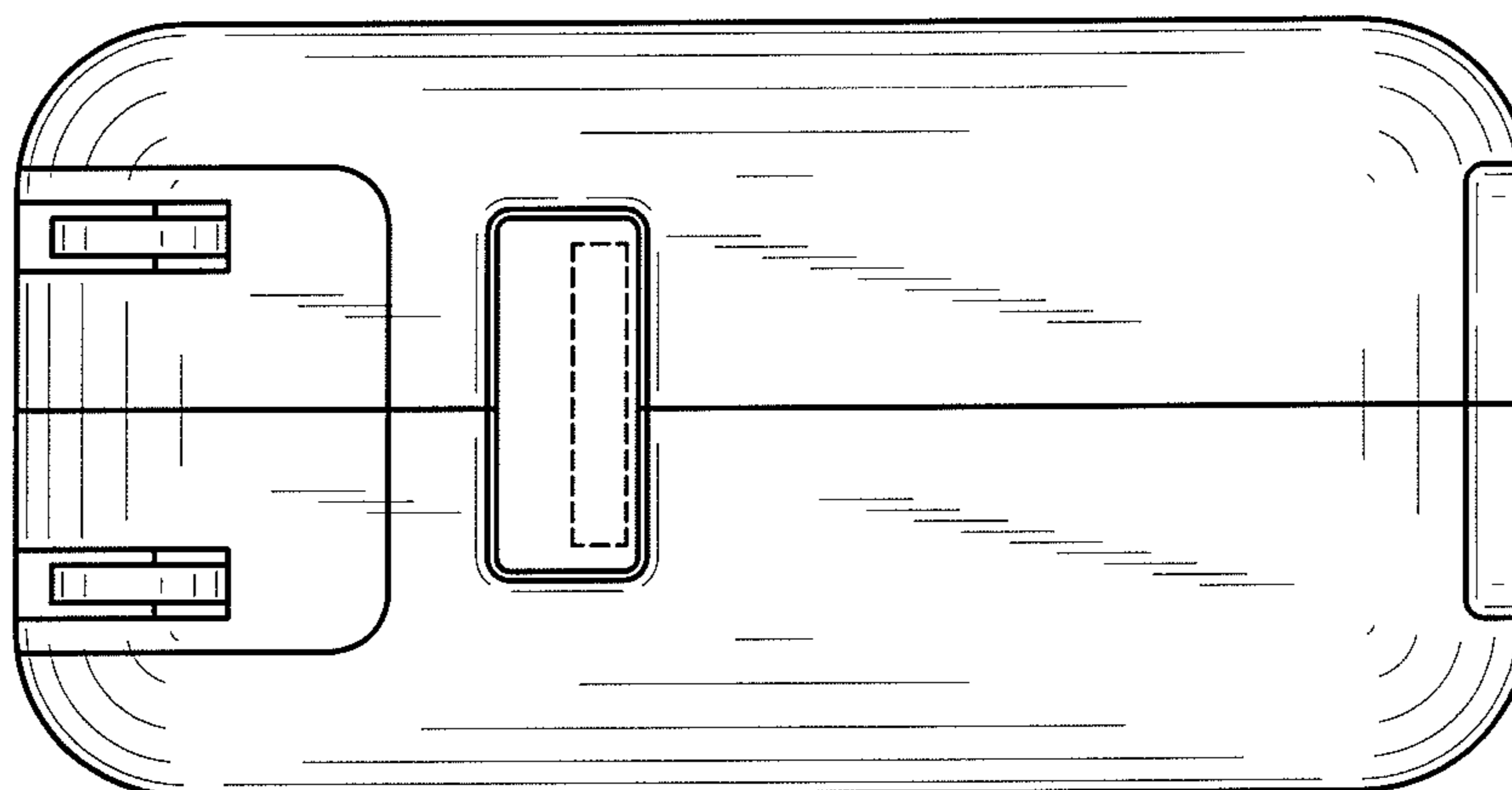


FIG. 5

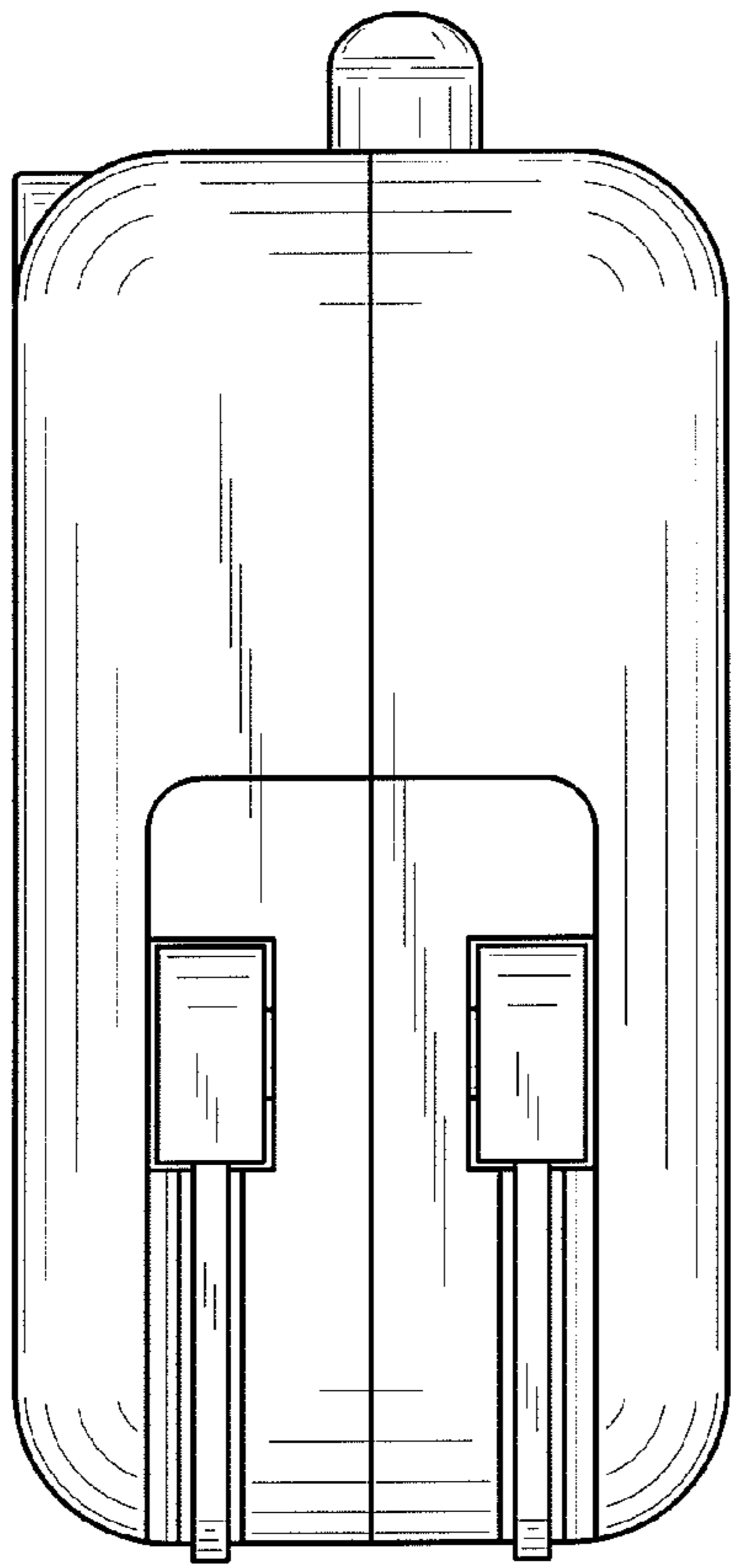


FIG. 6

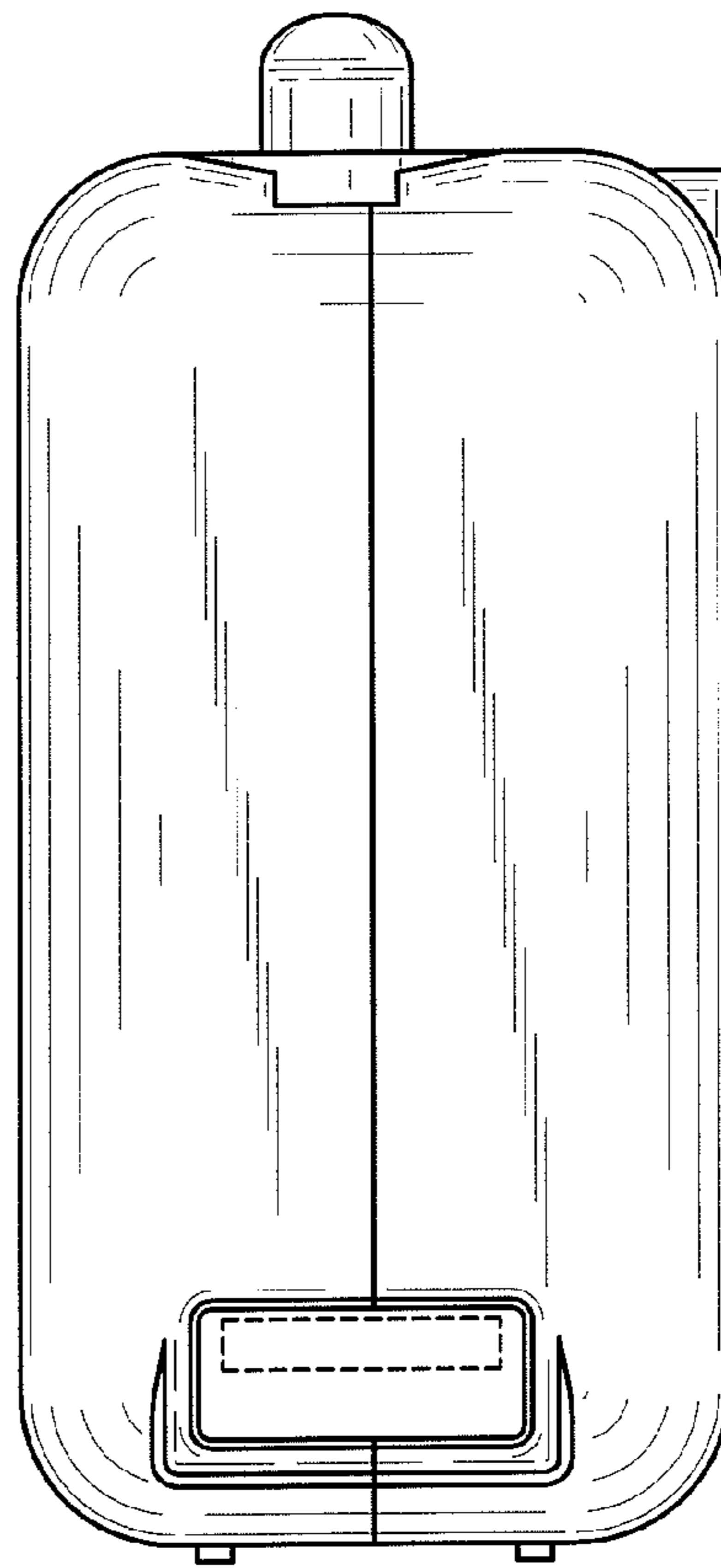


FIG. 7

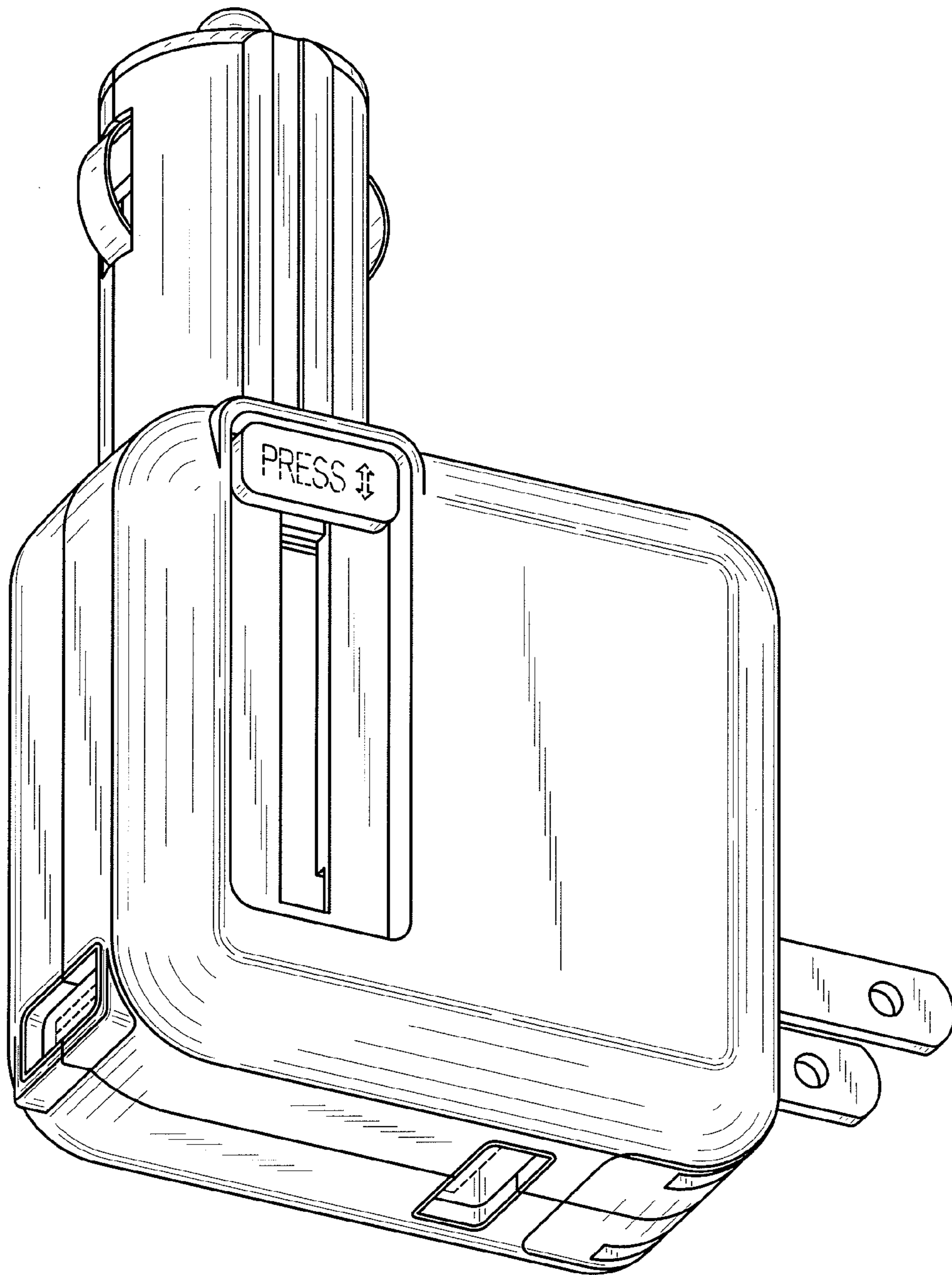


FIG. 8