



US00D705158S

(12) **United States Design Patent**
Gengler

(10) **Patent No.:** **US D705,158 S**

(45) **Date of Patent:** **** May 20, 2014**

(54) **CHARGING DOCK**

(71) Applicant: **David Peter Gengler**, Draper, UT (US)

(72) Inventor: **David Peter Gengler**, Draper, UT (US)

(**) Term: **14 Years**

(21) Appl. No.: **29/467,269**

(22) Filed: **Sep. 17, 2013**

(51) **LOC (10) Cl.** **13-02**

(52) **U.S. Cl.**
USPC **D13/107**

(58) **Field of Classification Search**

CPC Y02E 60/12; Y02T 90/14; Y02T 90/122;
Y02T 90/128; Y02T 90/163; H02J 7/025;
H02J 7/0042; H02J 7/0044; H02J 7/0045;
H02J 7/0003; H01F 38/14; H01R 13/6675;
H01M 2/1022; H01M 2/1055; H01M 10/44;
H01M 10/46; H01M 10/425; B60L 11/182
USPC D13/107-110, 118-119, 184, 199;
D14/251, 253, 432, 434; 320/107-115
See application file for complete search history.

(56) **References Cited**

U.S. PATENT DOCUMENTS

D465,532 S * 11/2002 Hussaini et al. D21/333
D532,366 S * 11/2006 Koizumi D13/108
D540,802 S * 4/2007 Hussaini et al. D14/434
D574,375 S * 8/2008 Prest et al. D14/253

D584,731 S * 1/2009 Montgomery et al. D14/434
D623,132 S * 9/2010 Yano D13/108
D642,519 S * 8/2011 Woo et al. D13/108
D648,325 S * 11/2011 Akana et al. D14/217
D659,637 S * 5/2012 Hwang et al. D13/108
D662,083 S * 6/2012 Akana et al. D14/217
D664,958 S * 8/2012 McManigal D14/434
D676,832 S * 2/2013 Akana et al. D14/217
D685,322 S * 7/2013 Szymanski et al. D13/108

* cited by examiner

Primary Examiner — Rosemary K Tarcza

(74) *Attorney, Agent, or Firm* — Kory D. Christensen; Stoel Rives LLP

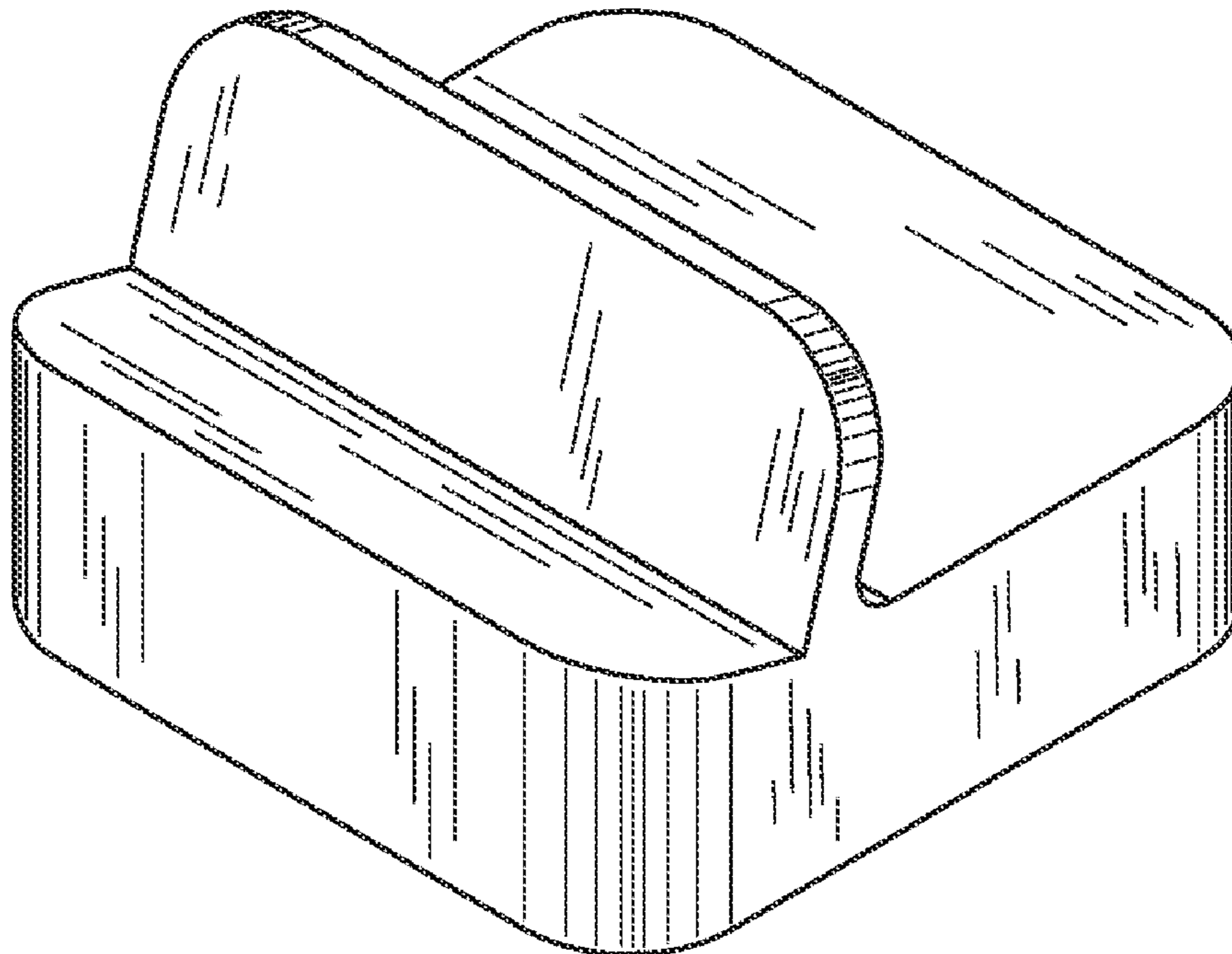
(57) **CLAIM**

The ornamental design for charging dock, as shown and described.

DESCRIPTION

FIG. 1 is a front perspective of an embodiment of a charging dock showing my new design;
FIG. 2 is a top plan view thereof;
FIG. 3 is a right side elevation view thereof;
FIG. 4 is a rear elevation view thereof;
FIG. 5 is front elevation view thereof; and,
FIG. 6 is a bottom plan view thereof.
The broken lines are directed to environment and are for illustrative purposes only; the broken lines form no part of the claimed design.

1 Claim, 6 Drawing Sheets



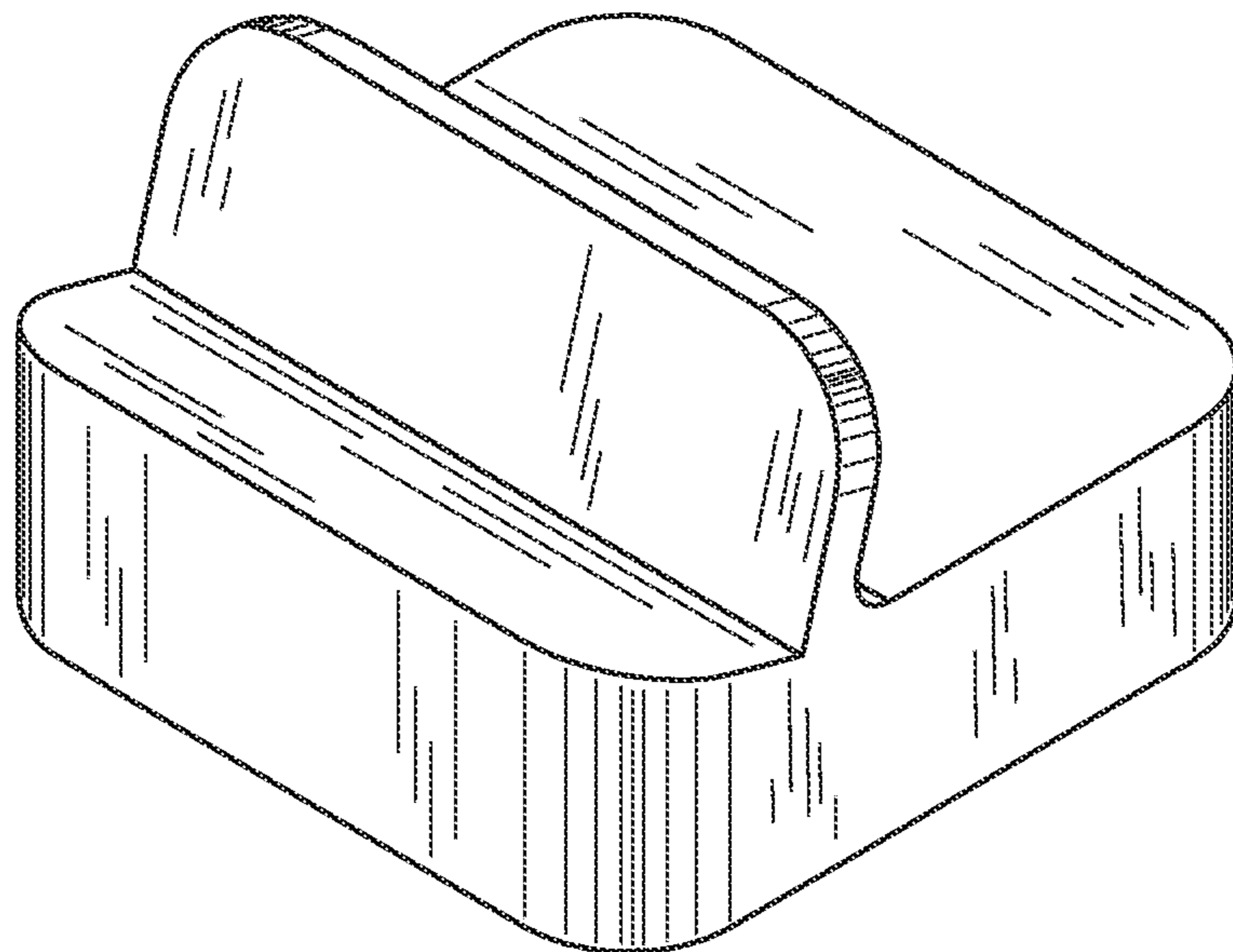


FIG. 1

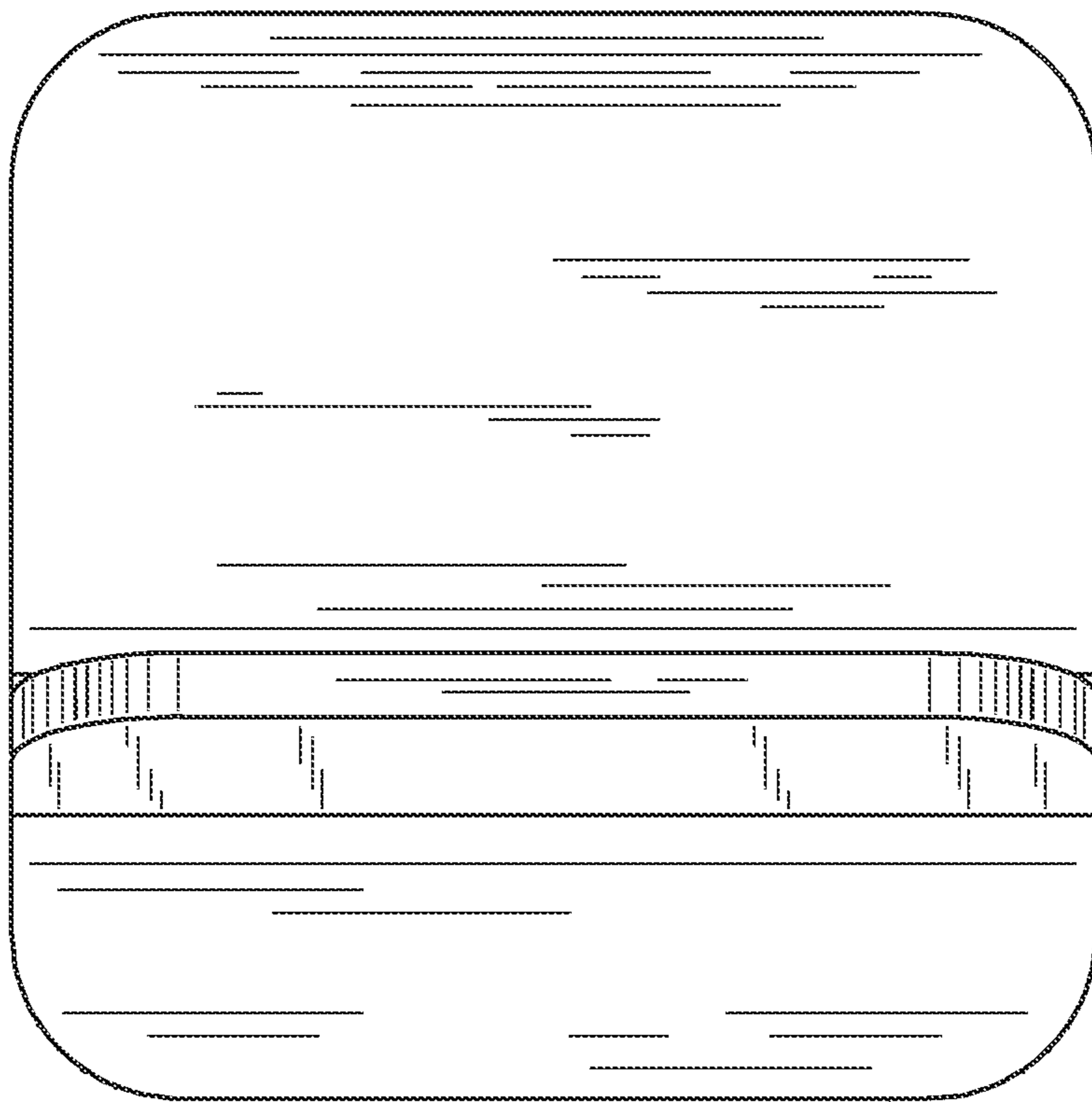


FIG. 2

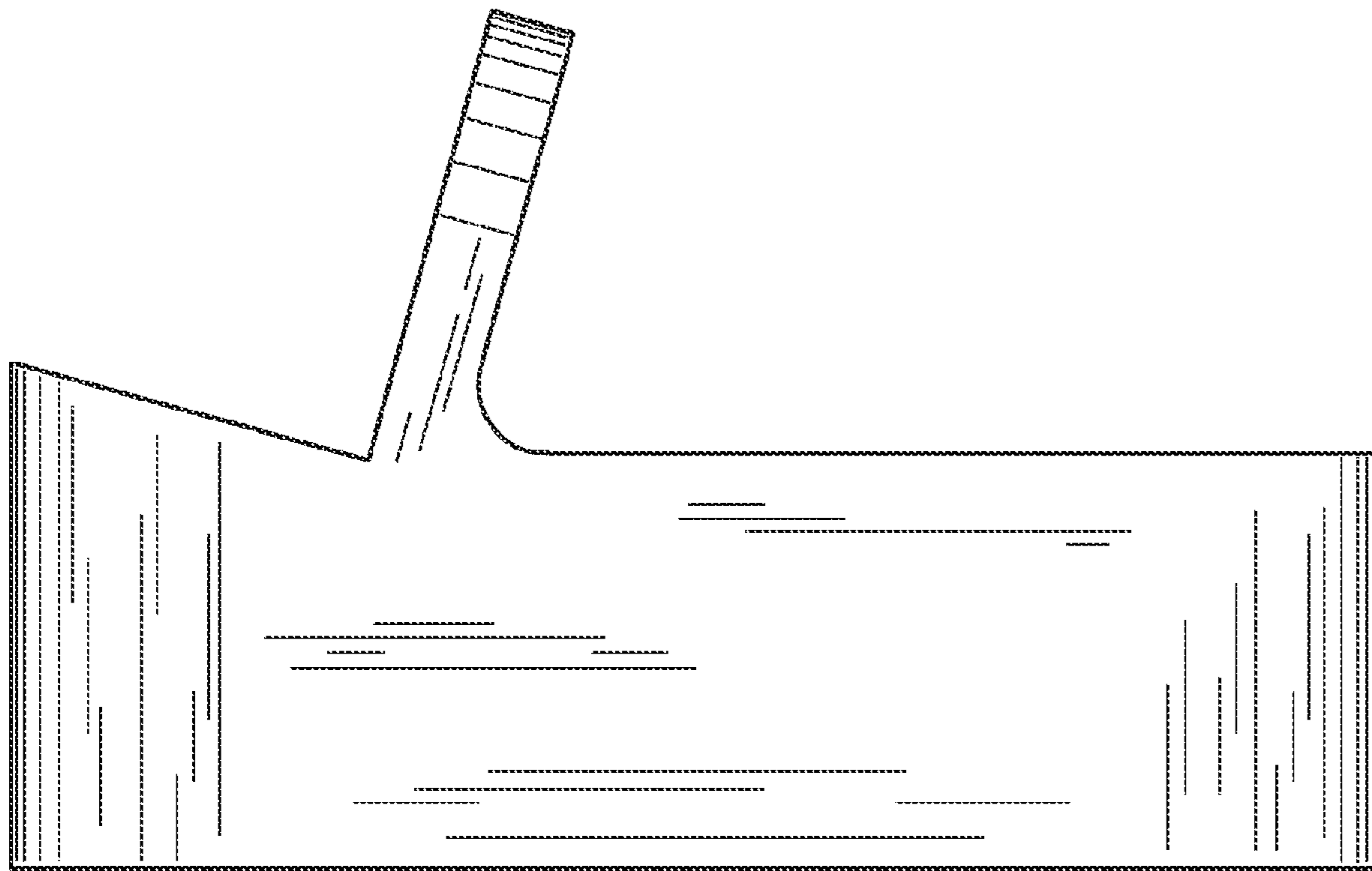


FIG. 3

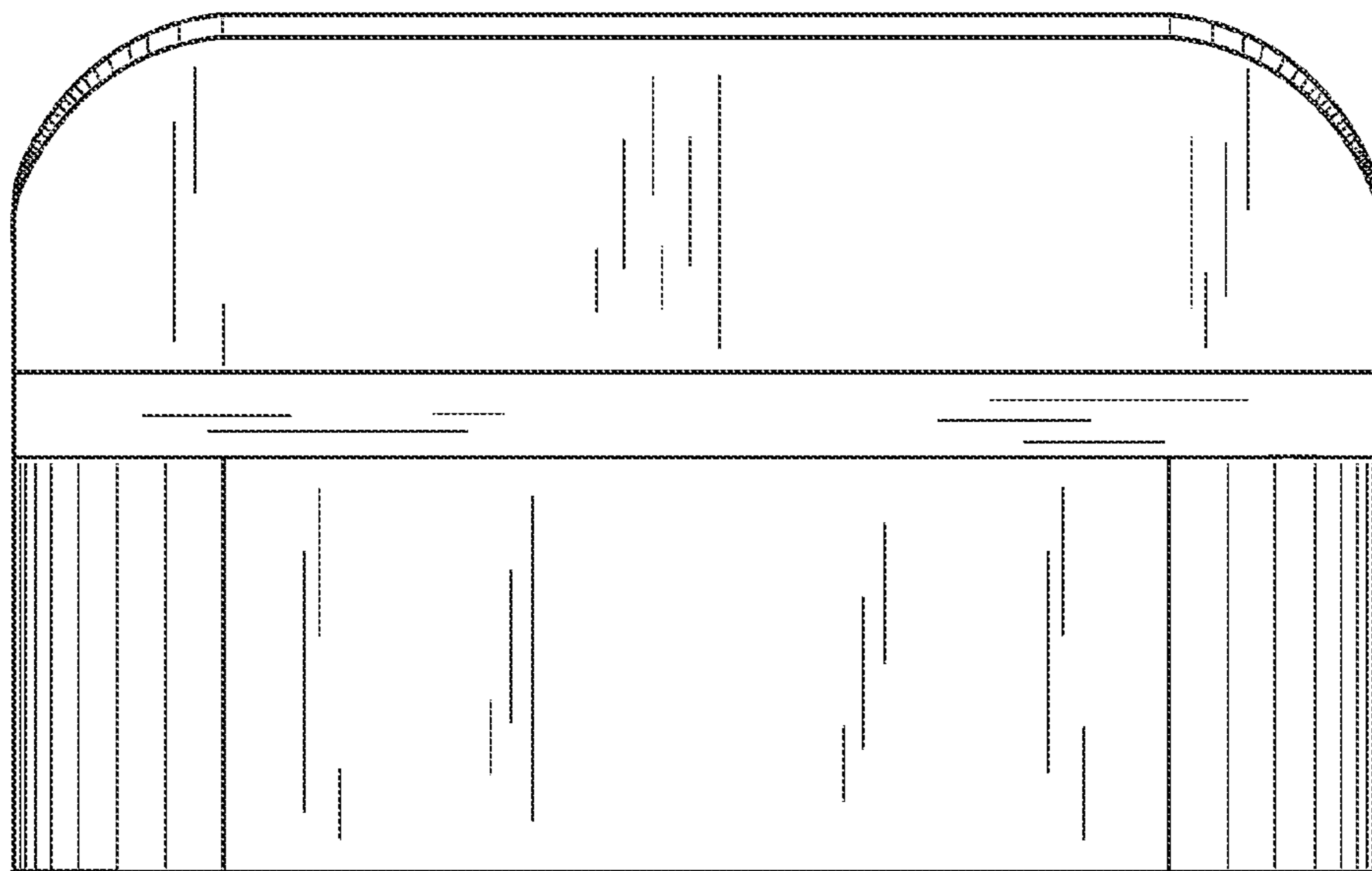


FIG. 4

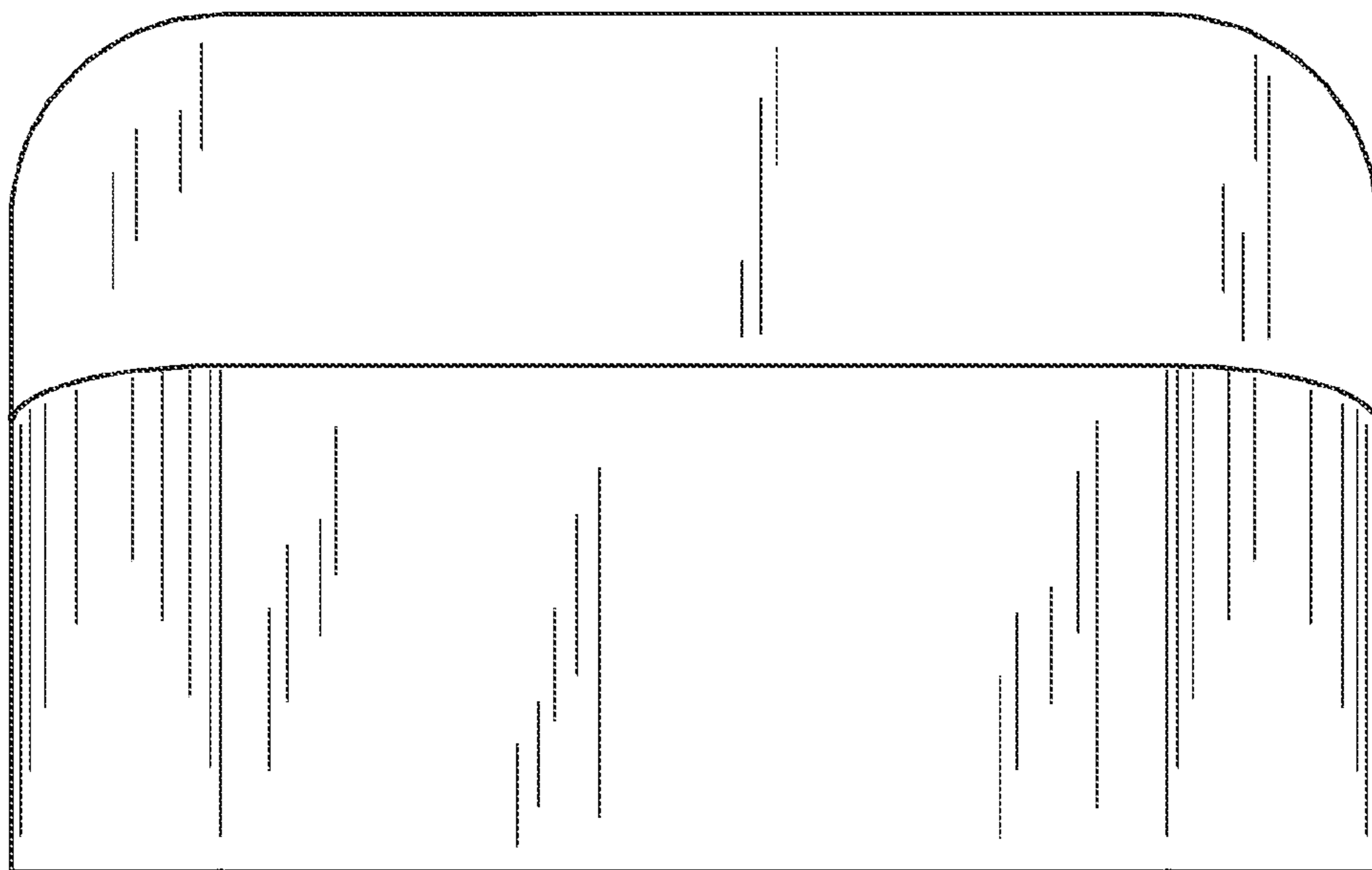


FIG. 5



FIG. 6