



US00D705156S

(12) **United States Design Patent**
Lee

(10) **Patent No.:** **US D705,156 S**
(45) **Date of Patent:** **** May 20, 2014**

(54) **CONNECTOR FOR WINDSHIELD WIPERS**

(71) Applicant: **CAP Corporation**, Daegu (KR)

(72) Inventor: **Sang Cheol Lee**, Gyeongbuk (KR)

(73) Assignee: **CAP Corporation**, Daegu (KR)

(**) Term: **14 Years**

(21) Appl. No.: **29/433,229**

(22) Filed: **Sep. 27, 2012**

(51) **LOC (10) Cl.** **12-06**

(52) **U.S. Cl.**
USPC **D12/220**

(58) **Field of Classification Search**
USPC D12/219–220; 15/246, 247, 250.001,
15/250.4, 250.361, 250.19, 250.48,
15/250.03, 250.31–250.33, 250.201,
15/250.451, 250.458, 250.04, 250.07,
15/250.44

See application file for complete search history.

(56) **References Cited**

U.S. PATENT DOCUMENTS

D478,308 S *	8/2003	Lee	D12/220
D597,465 S *	8/2009	Grasso et al.	D12/220
D597,466 S *	8/2009	Grasso et al.	D12/220
D597,468 S *	8/2009	Grasso et al.	D12/220

D597,470 S *	8/2009	Grasso et al.	D12/220
D665,329 S *	8/2012	Houssat et al.	D12/220
D665,716 S *	8/2012	Houssat et al.	D12/220
D665,717 S *	8/2012	Houssat et al.	D12/220
D665,718 S *	8/2012	Houssat et al.	D12/220
D695,204 S *	12/2013	Kim	D12/219

* cited by examiner

Primary Examiner — Katrina A Betton

(74) *Attorney, Agent, or Firm* — Grossman Tucker Perreault & Pflieger, PLLC

(57) **CLAIM**

The ornamental design for a connection for windshield wipers, as shown and described.

DESCRIPTION

FIG. 1 is a perspective view of a connection for windshield wipers.

FIG. 2 is a left side view thereof.

FIG. 3 is a right side view thereof.

FIG. 4 is a front view thereof.

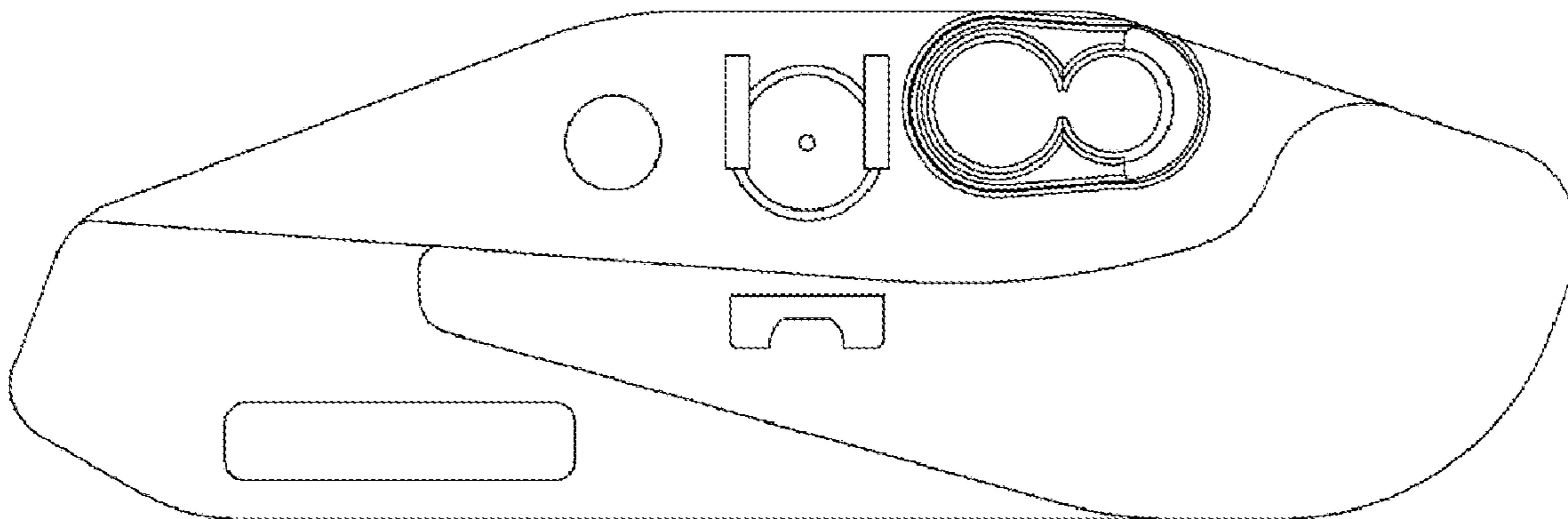
FIG. 5 is a rear view thereof.

FIG. 6 is a top plan view thereof; and,

FIG. 7 is a bottom plan view thereof.

In the drawings, the broken lines in FIG. 7 depict portions of the article that form no part of the claimed design.

1 Claim, 4 Drawing Sheets



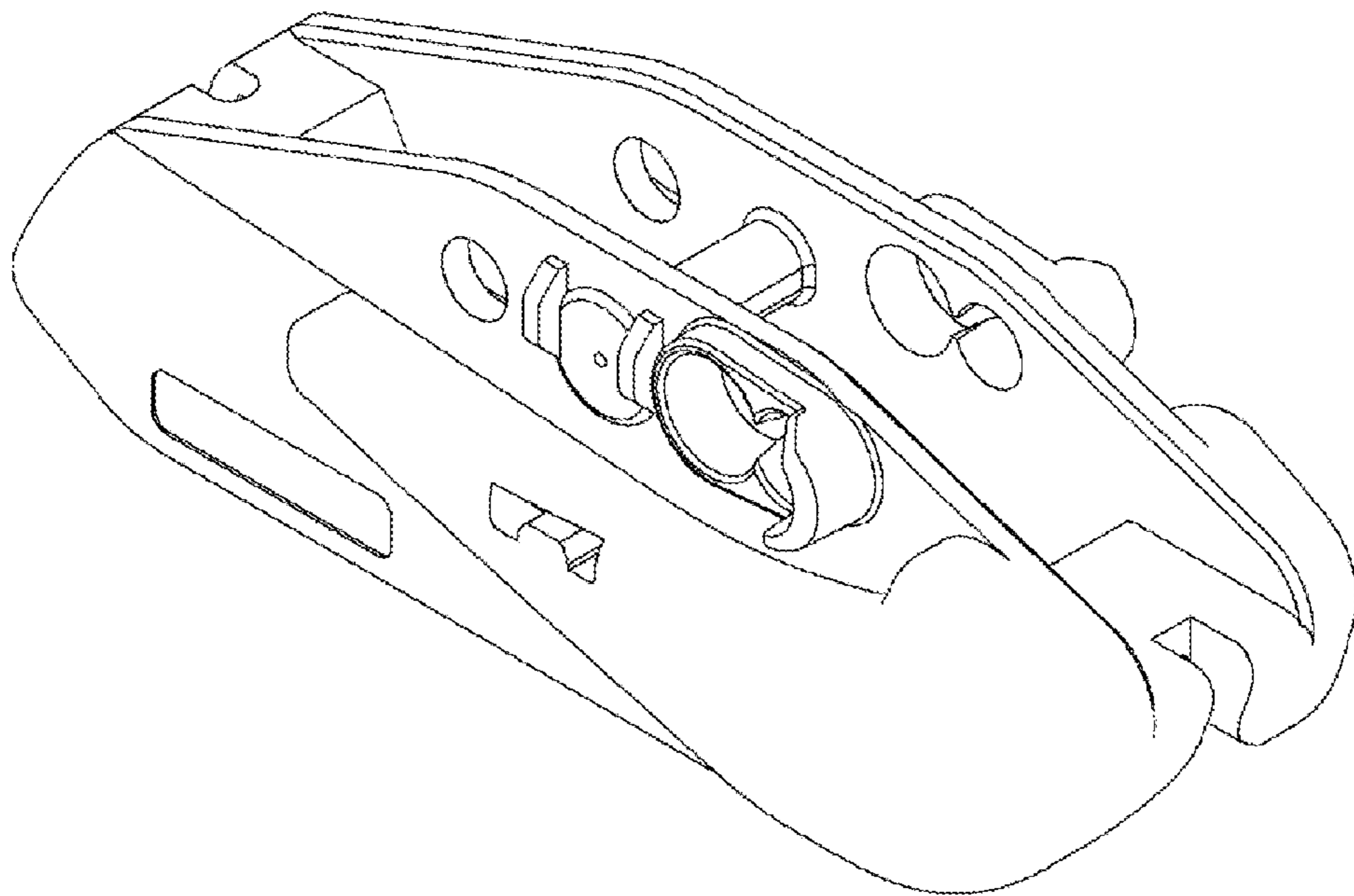


FIG. 1

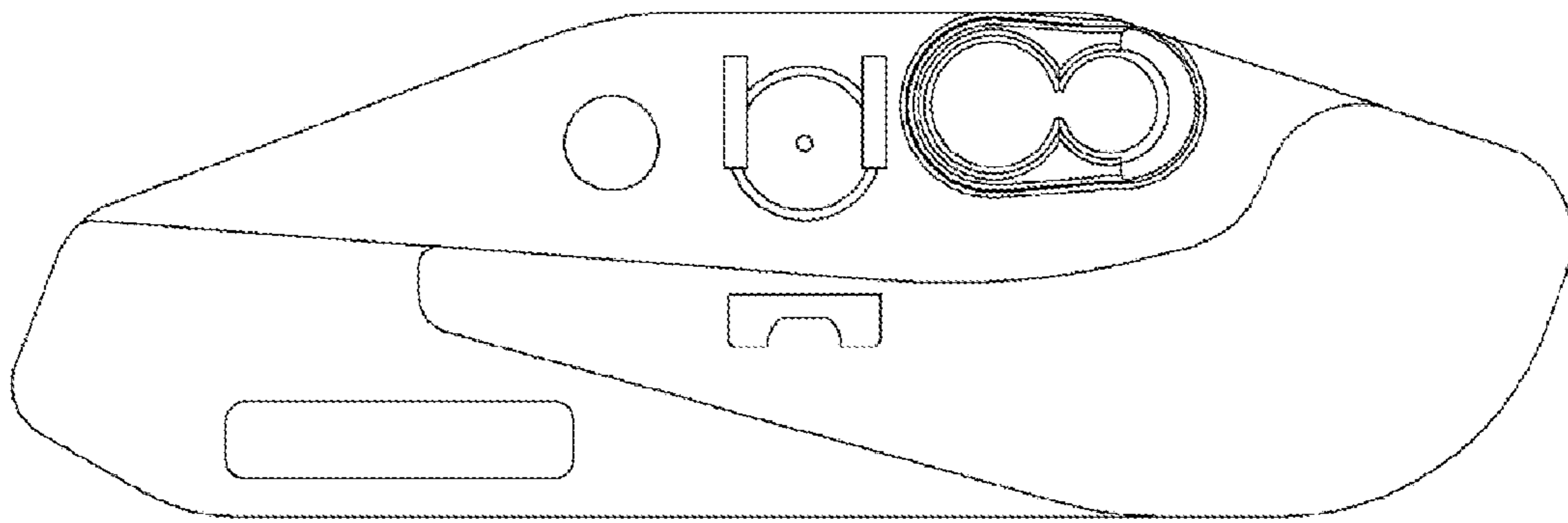


FIG. 2

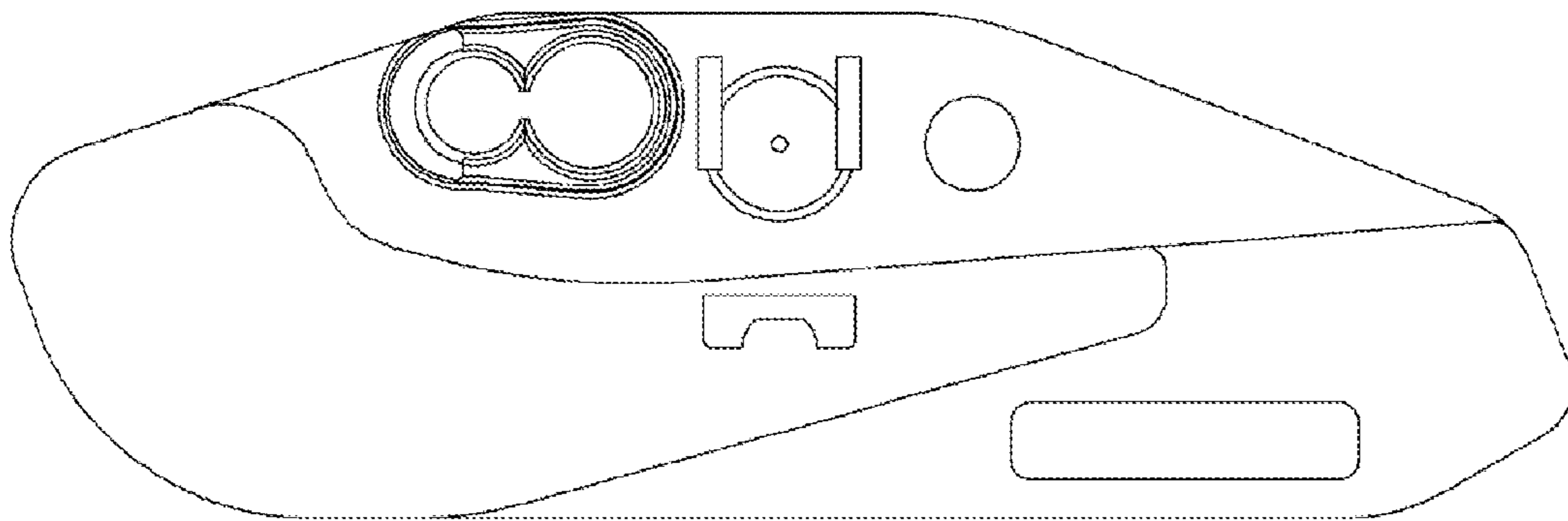


FIG. 3

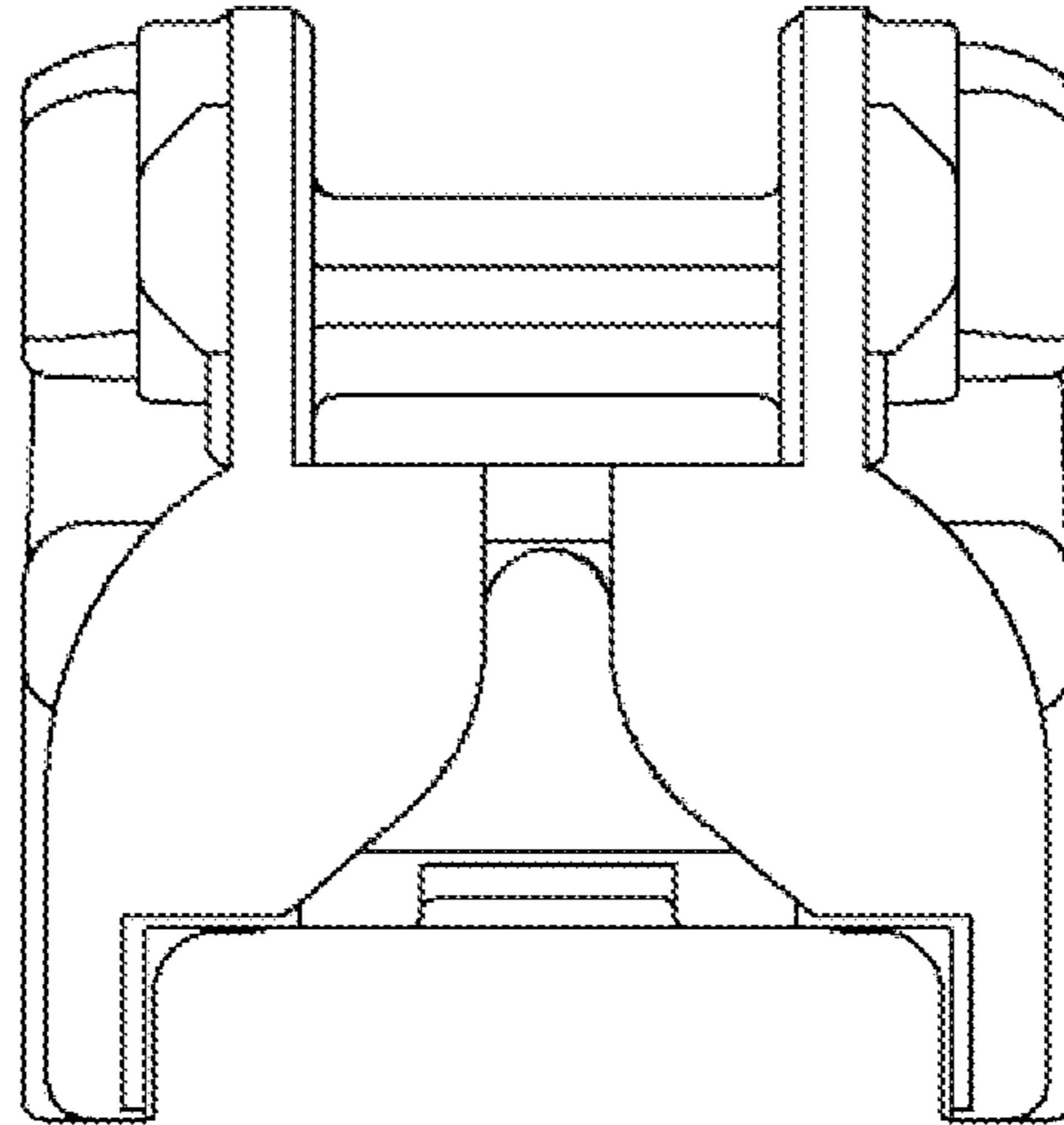


FIG. 4

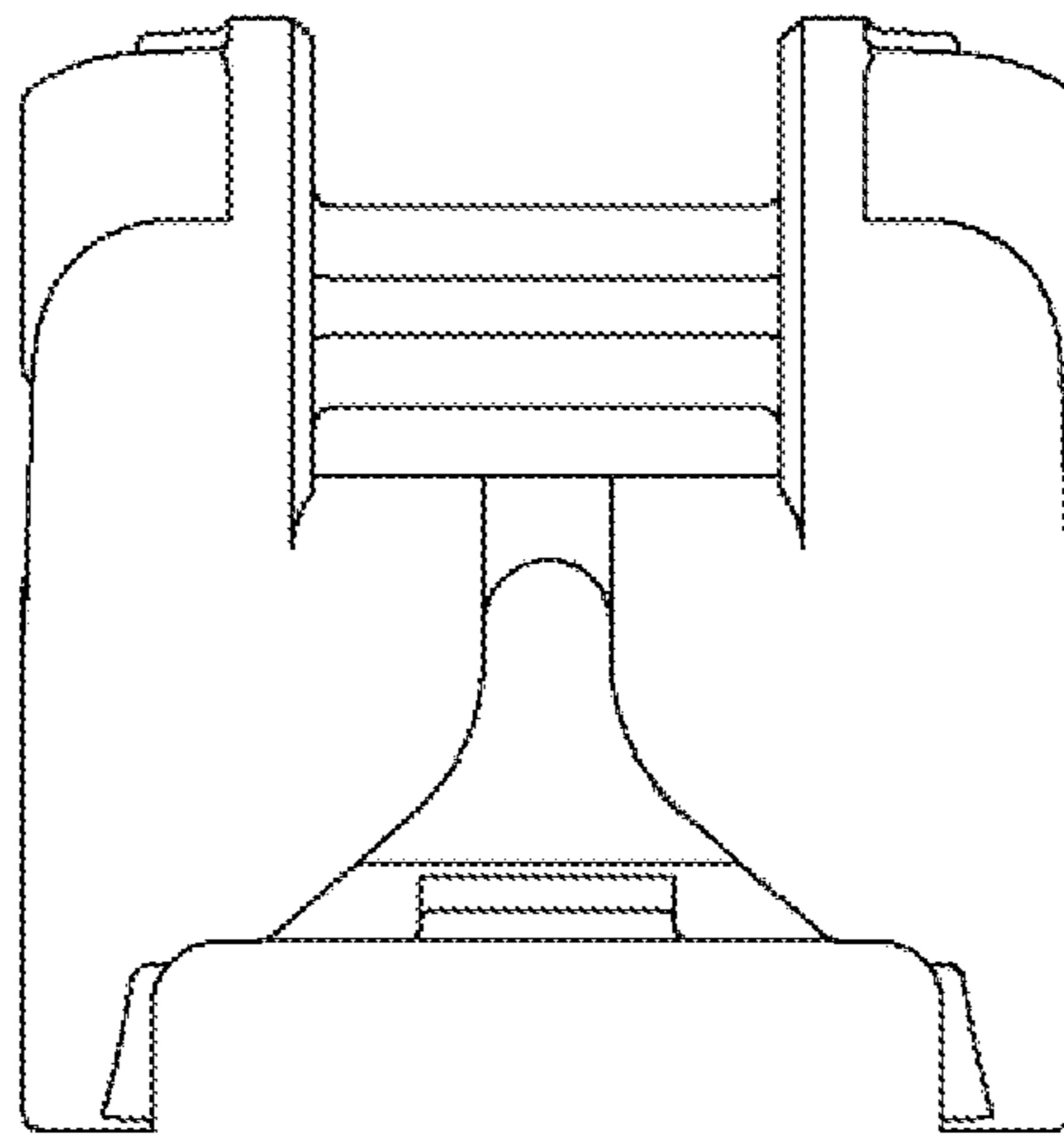


FIG. 5

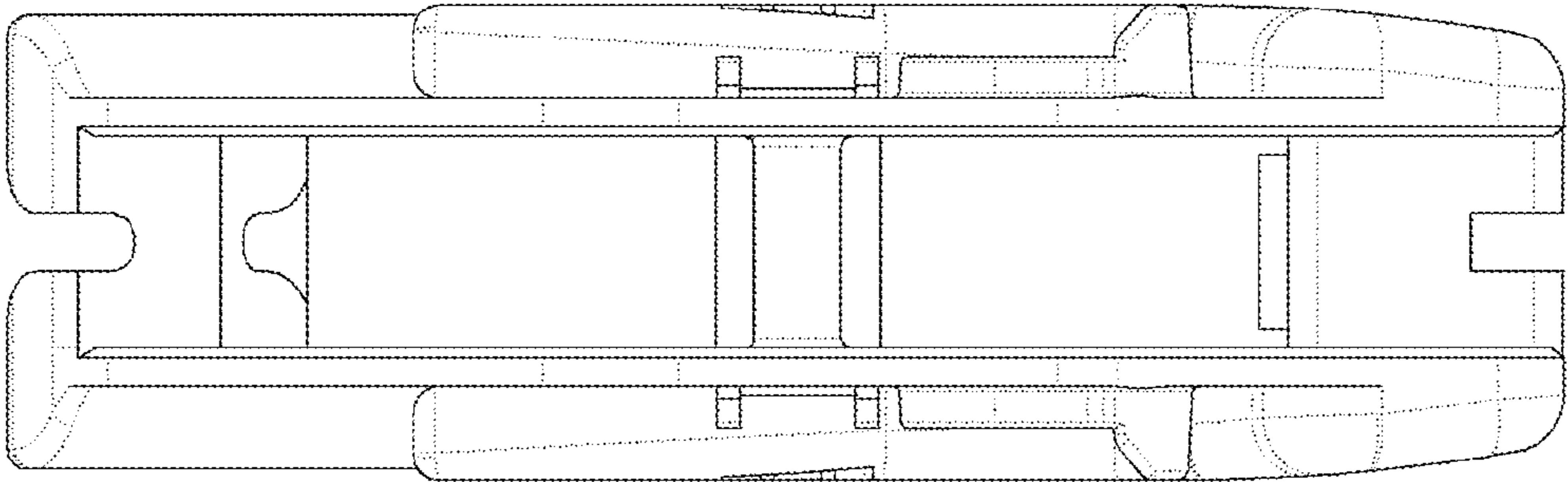


FIG. 6

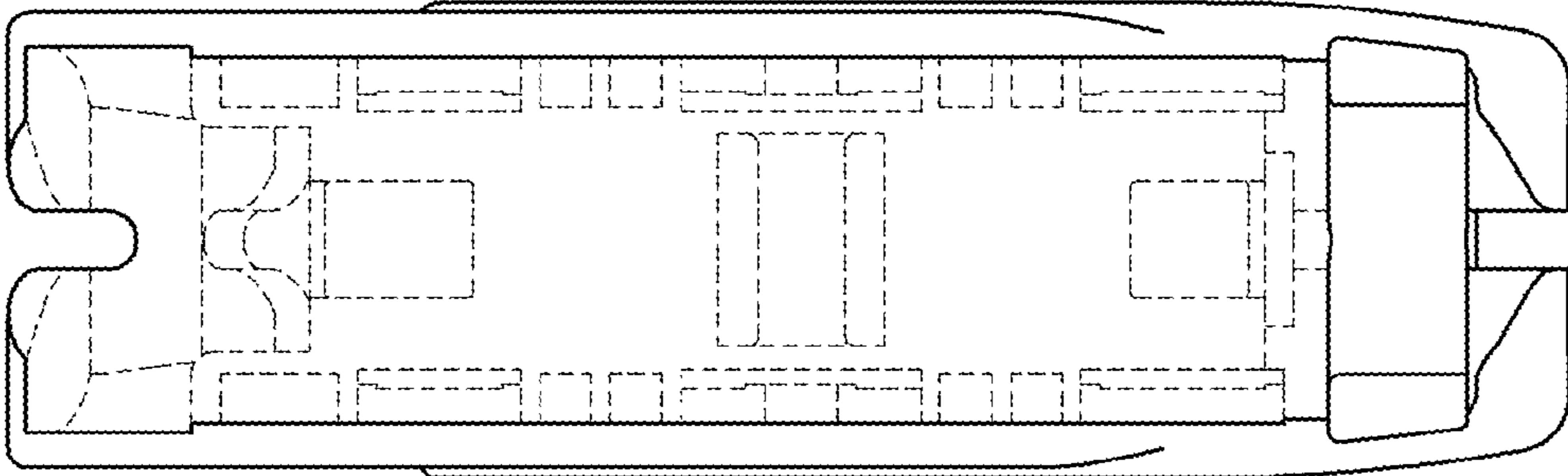


FIG. 7