



US00D705155S

(12) **United States Design Patent**
Fujiwara

(10) **Patent No.:** **US D705,155 S**

(45) **Date of Patent:** **** May 20, 2014**

(54) **WINDSHIELD WIPER FOR VEHICLE**

(71) Applicant: **Mitsuba Corporation**, Kiryu (JP)

(72) Inventor: **Masaru Fujiwara**, Kiryu (JP)

(73) Assignee: **Mitsuba Corporation**, Kiryu-shi,
Gunma (JP)

(**) Term: **14 Years**

(21) Appl. No.: **29/470,686**

(22) Filed: **Oct. 24, 2013**

(30) **Foreign Application Priority Data**

Apr. 25, 2013 (JP) 2013-9335

(51) **LOC (10) Cl.** **12-06**

(52) **U.S. Cl.**
USPC **D12/219**

(58) **Field of Classification Search**
USPC D12/219-220; 15/246, 247, 250.001,
15/250.4, 250.361, 250.19, 250.48,
15/250.03, 250.31-250.33, 250.351,
15/250.38, 250.201, 250.451, 250.44

See application file for complete search history.

(56) **References Cited**

U.S. PATENT DOCUMENTS

D680,051	S	*	4/2013	Tolentino et al.	D12/219
D685,713	S	*	7/2013	Wang	D12/219
D686,555	S	*	7/2013	Song et al.	D12/219
D686,556	S	*	7/2013	Song et al.	D12/219
D686,557	S	*	7/2013	Kwon	D12/219
D687,363	S	*	8/2013	An	D12/219
D687,759	S	*	8/2013	An	D12/219
D688,617	S	*	8/2013	An	D12/219
D695,673	S	*	12/2013	Kim	D12/219

* cited by examiner

Primary Examiner — Katrina A Betton

(74) *Attorney, Agent, or Firm* — McCormick, Paulding & Huber LLP

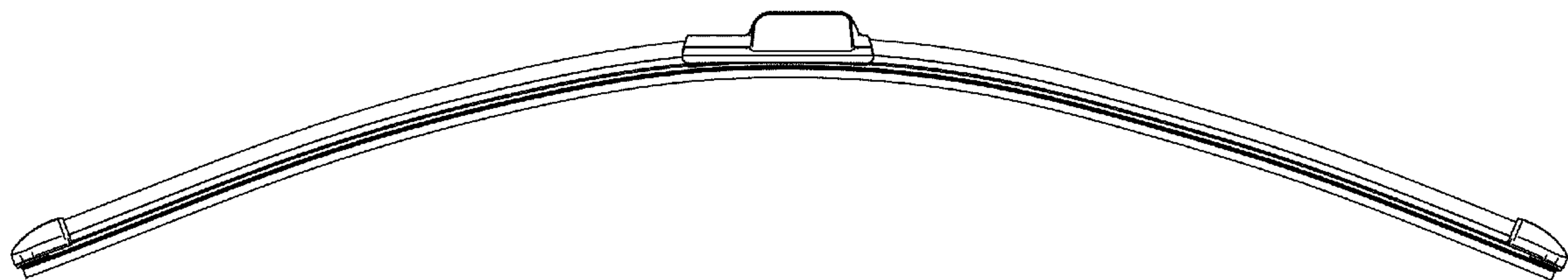
(57) **CLAIM**

The ornamental design for a windshield wiper for vehicle, substantially as shown.

DESCRIPTION

FIG. 1 is a front view of a windshield wiper for vehicle comprising a new, original and ornamental design;
FIG. 2 is a rear view thereof;
FIG. 3 is a top view thereof;
FIG. 4 is a bottom view thereof;
FIG. 5 is a right-hand side view thereof;
FIG. 6 is a left-hand side view thereof; and,
FIG. 7 is a front, top, left-hand side perspective view thereof.

1 Claim, 7 Drawing Sheets



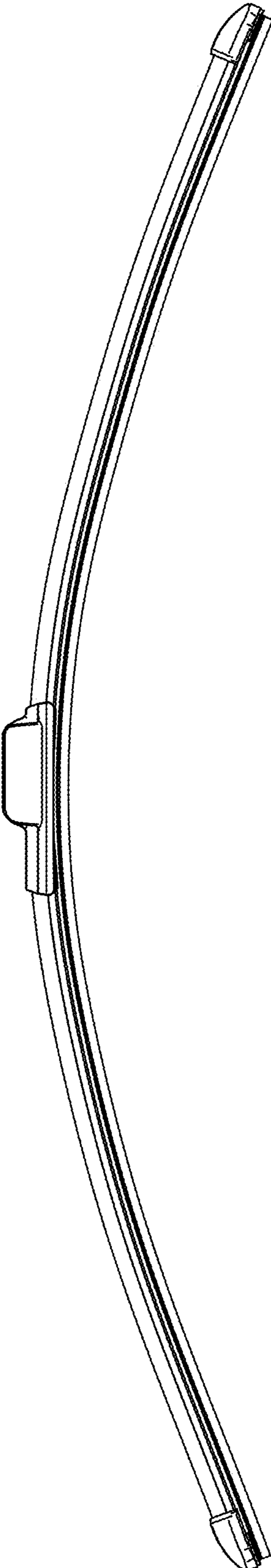


FIG. 1

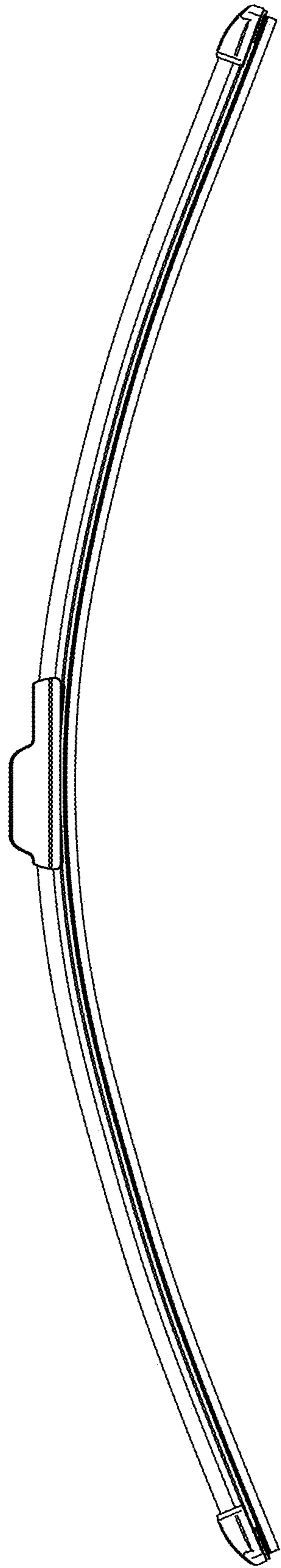


FIG. 2

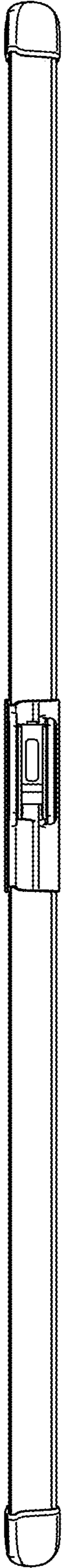


FIG. 3

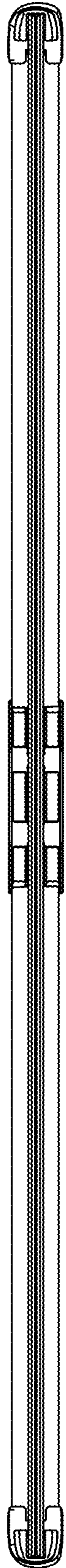


FIG. 4



FIG. 5

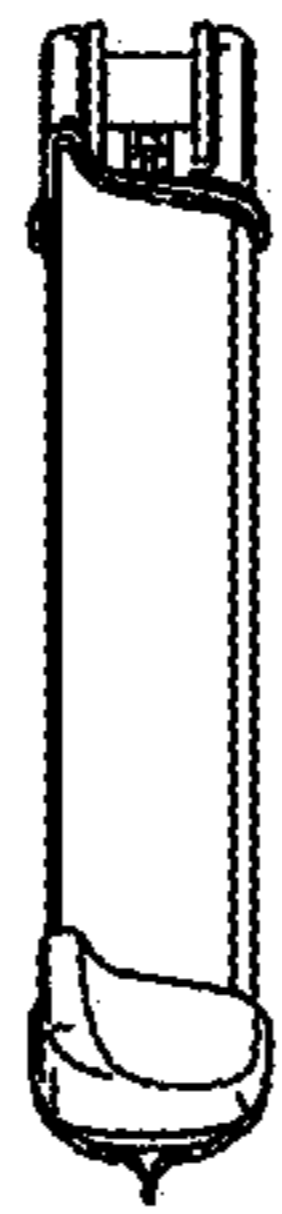


FIG. 6

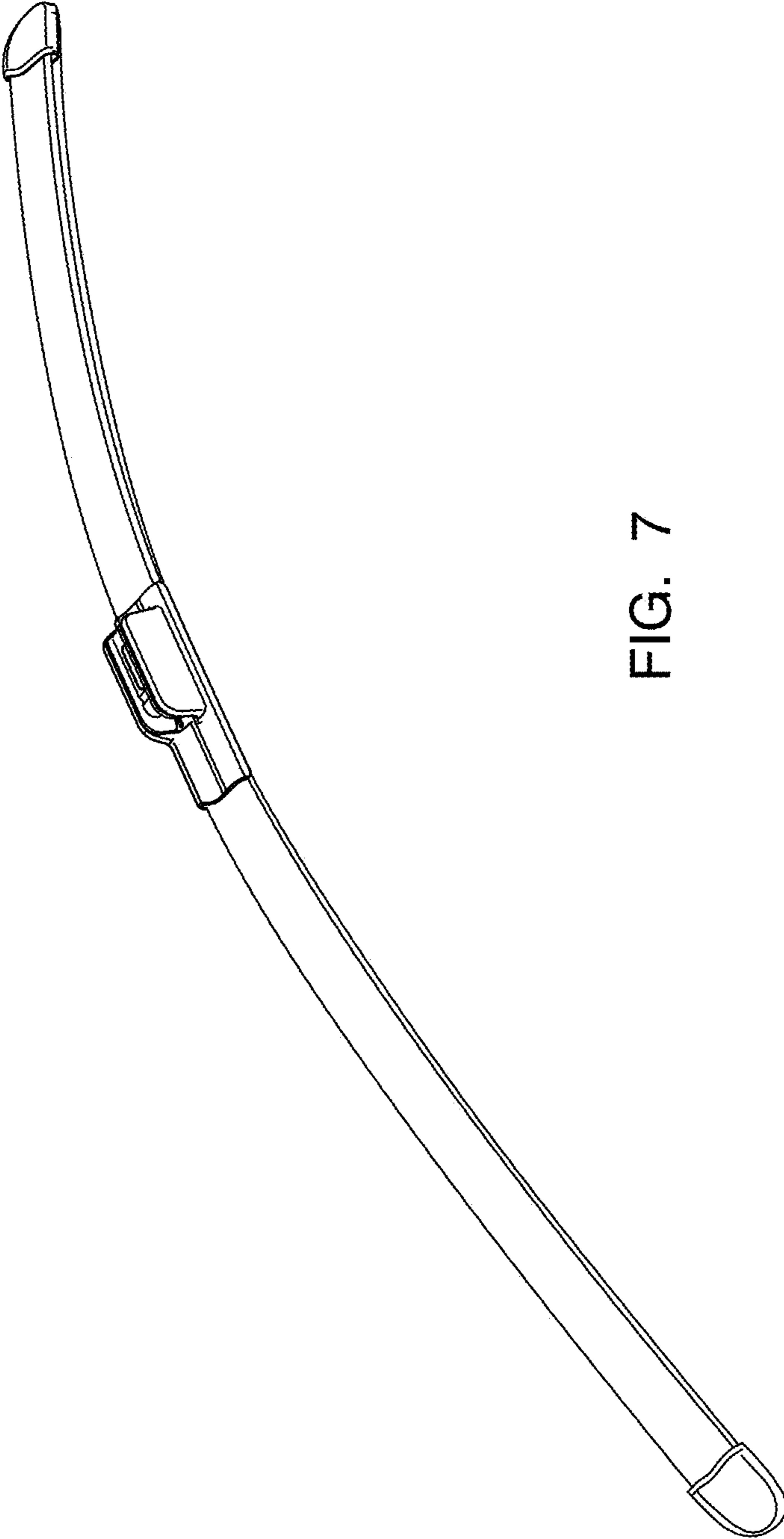


FIG. 7