



US00D705152S

(12) **United States Design Patent**
Nakamura

(10) **Patent No.:** **US D705,152 S**
(45) **Date of Patent:** **** May 20, 2014**

- (54) **WHEEL FOR AN AUTOMOBILE**
- (71) Applicant: **Honda Motor Co., Ltd.**, Tokyo (JP)
- (72) Inventor: **Hiroaki Nakamura**, Wako (JP)
- (73) Assignee: **Honda Motor Co., Ltd.**, Tokyo (JP)
- (**) Term: **14 Years**
- (21) Appl. No.: **29/468,512**
- (22) Filed: **Oct. 1, 2013**

(30) **Foreign Application Priority Data**

Apr. 2, 2013 (JP) 2013-007414

- (51) **LOC (10) Cl.** **12-16**
- (52) **U.S. Cl.**
USPC **D12/209**
- (58) **Field of Classification Search**
USPC D12/204–213; 301/37.101, 64.101, 65,
301/64.201
See application file for complete search history.

(56) **References Cited**

U.S. PATENT DOCUMENTS

- D504,647 S * 5/2005 Leclercq D12/209
- D506,967 S * 7/2005 Kamimura D12/211
- D513,726 S * 1/2006 Kamimura D12/211

- D522,951 S * 6/2006 Pfeiffer D12/211
- D526,263 S * 8/2006 Brown D12/209
- D544,427 S * 6/2007 Pfeiffer D12/211
- D619,071 S * 7/2010 Christensen et al. D12/211
- D634,692 S * 3/2011 Stefanov D12/211
- D639,225 S * 6/2011 Forschner D12/211
- D671,482 S * 11/2012 Nakamura D12/211
- D674,331 S * 1/2013 Feuerherdt D12/211
- D683,295 S * 5/2013 Pollmann D12/209
- D684,913 S * 6/2013 Chen et al. D12/209
- D686,965 S * 7/2013 Pollmann D12/211
- D692,816 S * 11/2013 Zhang D12/209

* cited by examiner

Primary Examiner — Stacia Cadmus

(74) *Attorney, Agent, or Firm* — Westerman, Hattori,
Daniels & Adrian, LLP

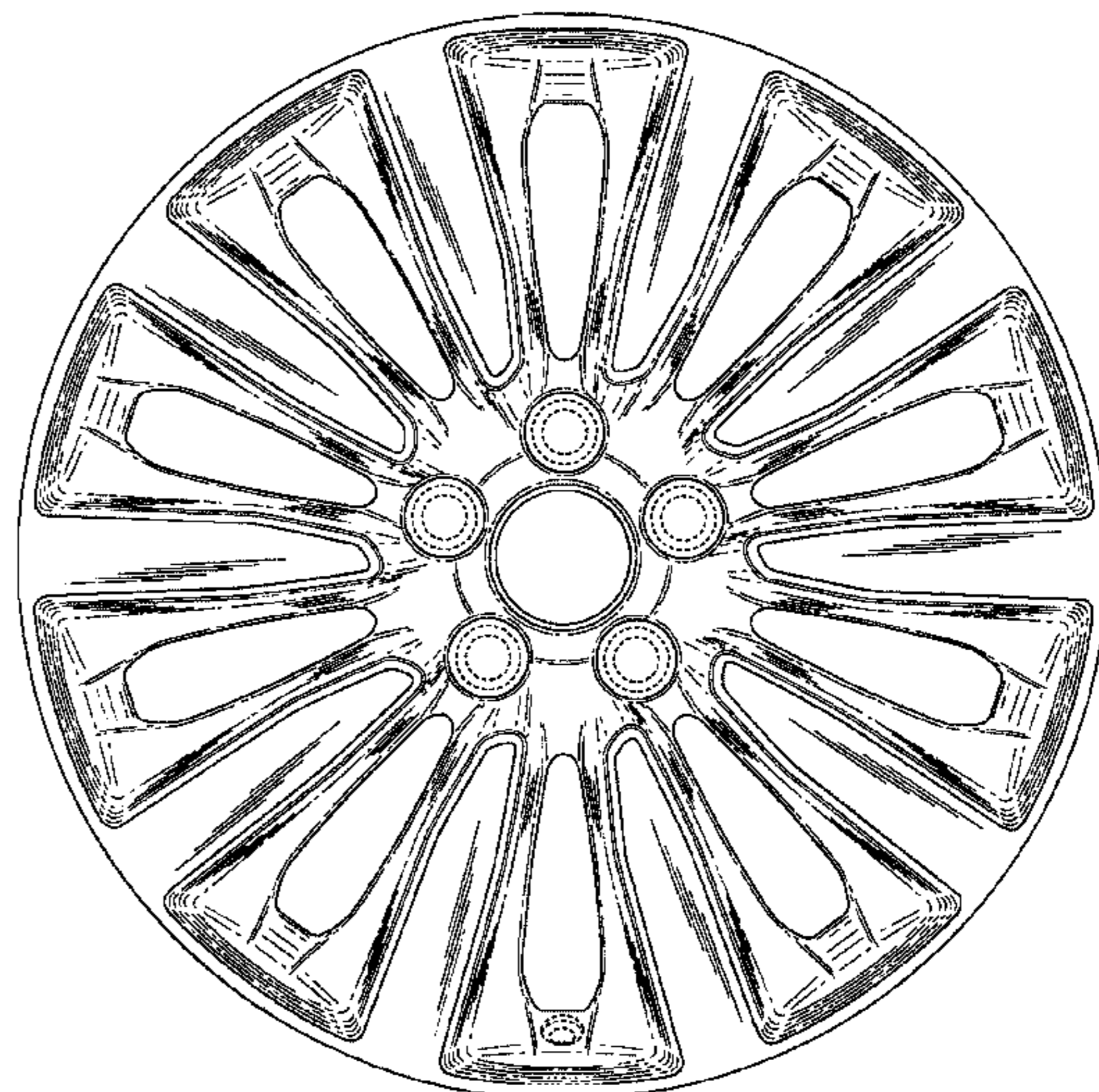
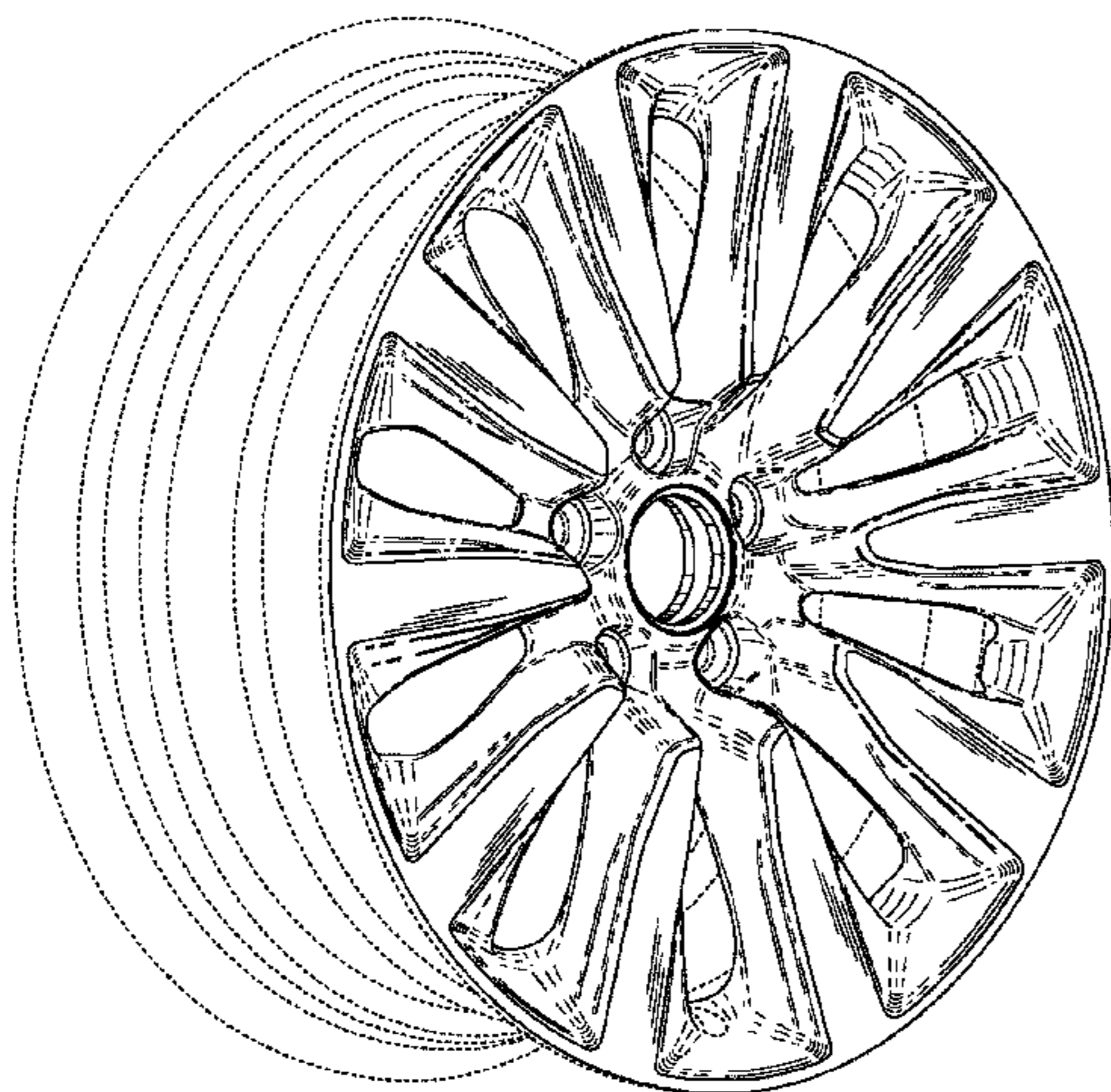
(57) **CLAIM**

The ornamental design for a wheel for an automobile, as shown and described.

DESCRIPTION

FIG. 1 is a front perspective view of a wheel for an automobile, showing my new design; and, FIG. 2 is a front elevational view thereof. The broken lines show portions of the wheel for an automobile, and form no part of the claimed design.

1 Claim, 2 Drawing Sheets



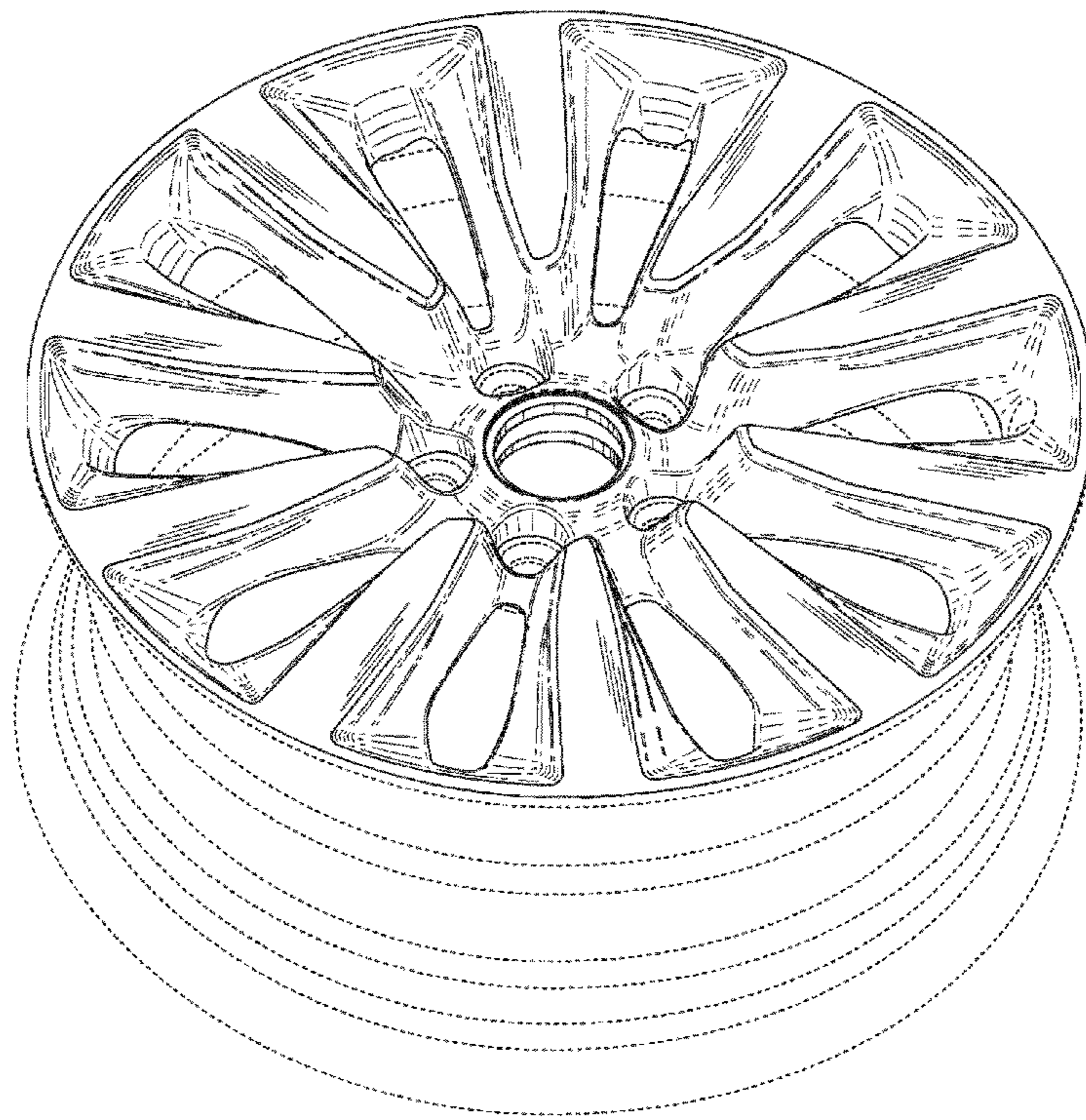


FIG. 1

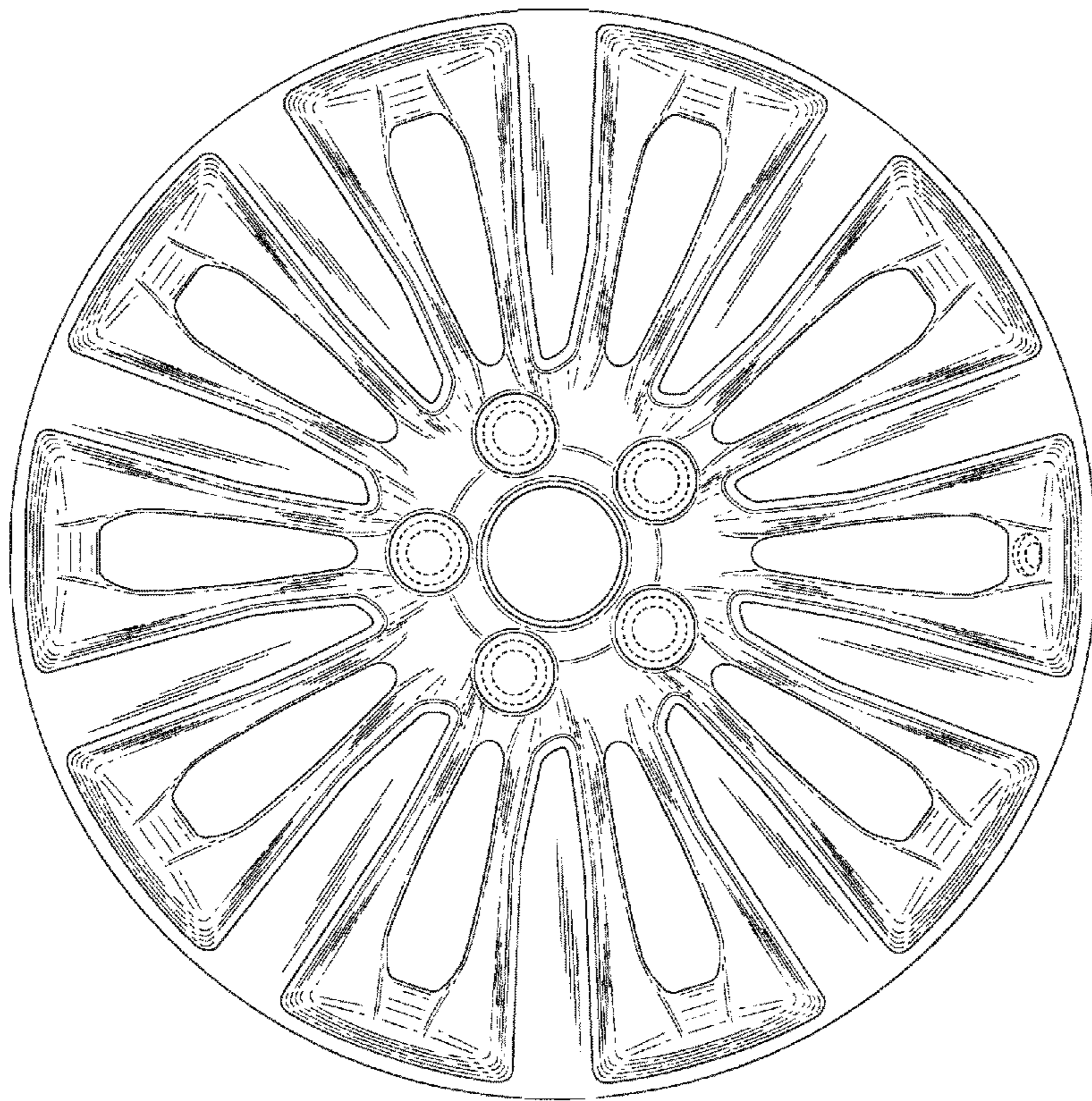


FIG.2