



US00D705144S

(12) **United States Design Patent**
Ishikawa et al.

(10) **Patent No.:** **US D705,144 S**

(45) **Date of Patent:** **** May 20, 2014**

(54) **INSTRUMENT PANEL FOR AN
AUTOMOBILE**

(75) Inventors: **Kaoru Ishikawa**, Toyota (JP); **Takashi Ueshin**, Toyota (JP); **Ben Uk Chang**, Irvine, CA (US)

(73) Assignee: **Toyota Jidosha Kabushiki Kaisha** (JP)

(**) Term: **14 Years**

(21) Appl. No.: **29/429,224**

(22) Filed: **Aug. 8, 2012**

(51) **LOC (10) Cl.** **12-16**

(52) **U.S. Cl.**
USPC **D12/192**

(58) **Field of Classification Search**
USPC D12/192, 415, 110, 114; 180/90;
280/750-752; 296/190.01-190.09,
296/191, 70; D15/17, 28; D10/46, 98,
D10/102-103, 122-127

See application file for complete search history.

(56) **References Cited**

U.S. PATENT DOCUMENTS

D469,391 S *	1/2003	Pfeiffer et al.	D12/192
D470,809 S *	2/2003	Asahi et al.	D12/192
D489,301 S *	5/2004	Okonkwo	D12/192
D501,811 S *	2/2005	Fukuda et al.	D12/192
D533,492 S *	12/2006	Maezono et al.	D12/192
D534,357 S *	1/2007	Davis	D5/47
D539,714 S *	4/2007	Toyama et al.	D12/192
D569,317 S *	5/2008	Schowalter	D12/192
D598,353 S *	8/2009	Dai et al.	D12/192
D622,195 S *	8/2010	Lester	D12/192

D637,540 S *	5/2011	Ali et al.	D12/192
D658,554 S *	5/2012	Tasaki et al.	D12/192
2009/0008956 A1 *	1/2009	Scheib et al.	296/70

OTHER PUBLICATIONS

Toyota, Toyota Crown, Toyota China Official Site, http://www.ftms.com.cn/vehicles/crown/exterior_interior/interior.php, available at least as early as Mar. 17, 2011.

BMW, BMW X1 2010, Netcarshow.com, http://www.Netcarshow.com/bmw/2010-x1/1600x1200/wallpaper_8a.htm, available at least as early as 2011.

* cited by examiner

Primary Examiner — Katrina A Betton

(74) *Attorney, Agent, or Firm* — SAIDMAN DesignLaw Group

(57) **CLAIM**

The ornamental design for an instrument panel for an automobile, as shown and described.

DESCRIPTION

FIG. 1 is a perspective view of an instrument panel for an automobile showing our new design;

FIG. 2 is a front view thereof;

FIG. 3 is a rear view thereof;

FIG. 4 is a top view thereof;

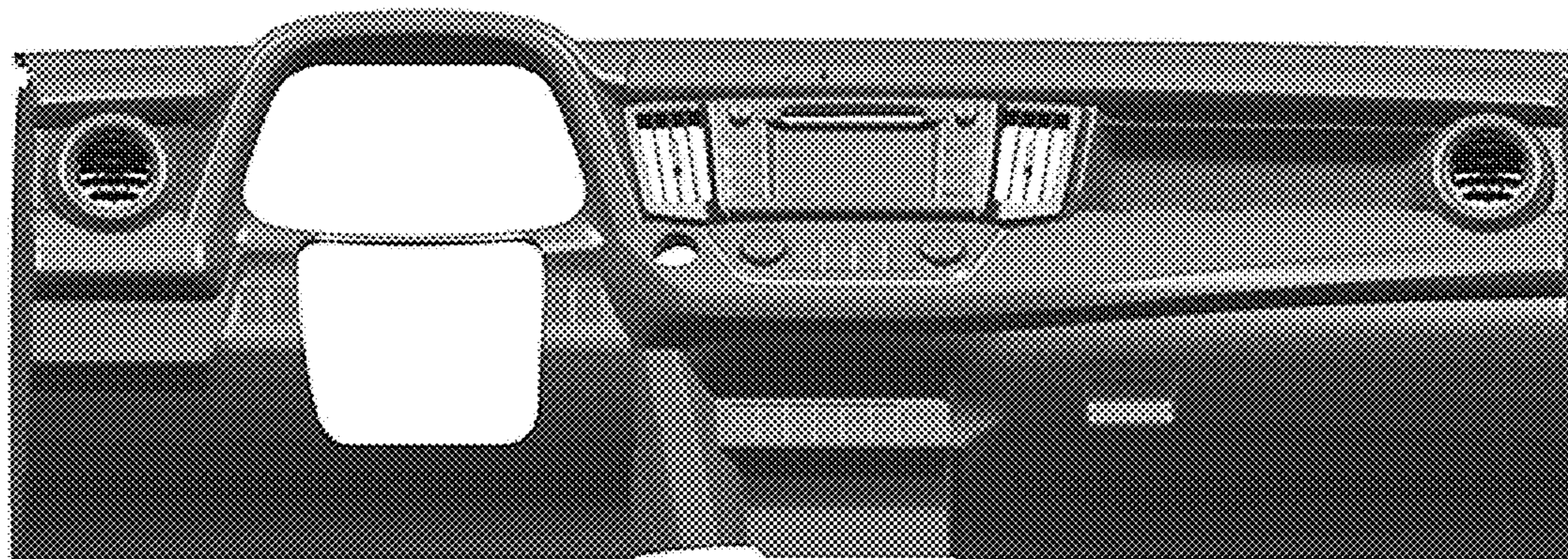
FIG. 5 is a bottom view thereof;

FIG. 6 is a right side view thereof; and,

FIG. 7 is a left side view thereof.

The claimed design is indicated by the relatively dark portions in FIGS. 1-7, while the relatively light portions in FIGS. 3 and 5 are environmental and form no part of the claimed design.

1 Claim, 4 Drawing Sheets



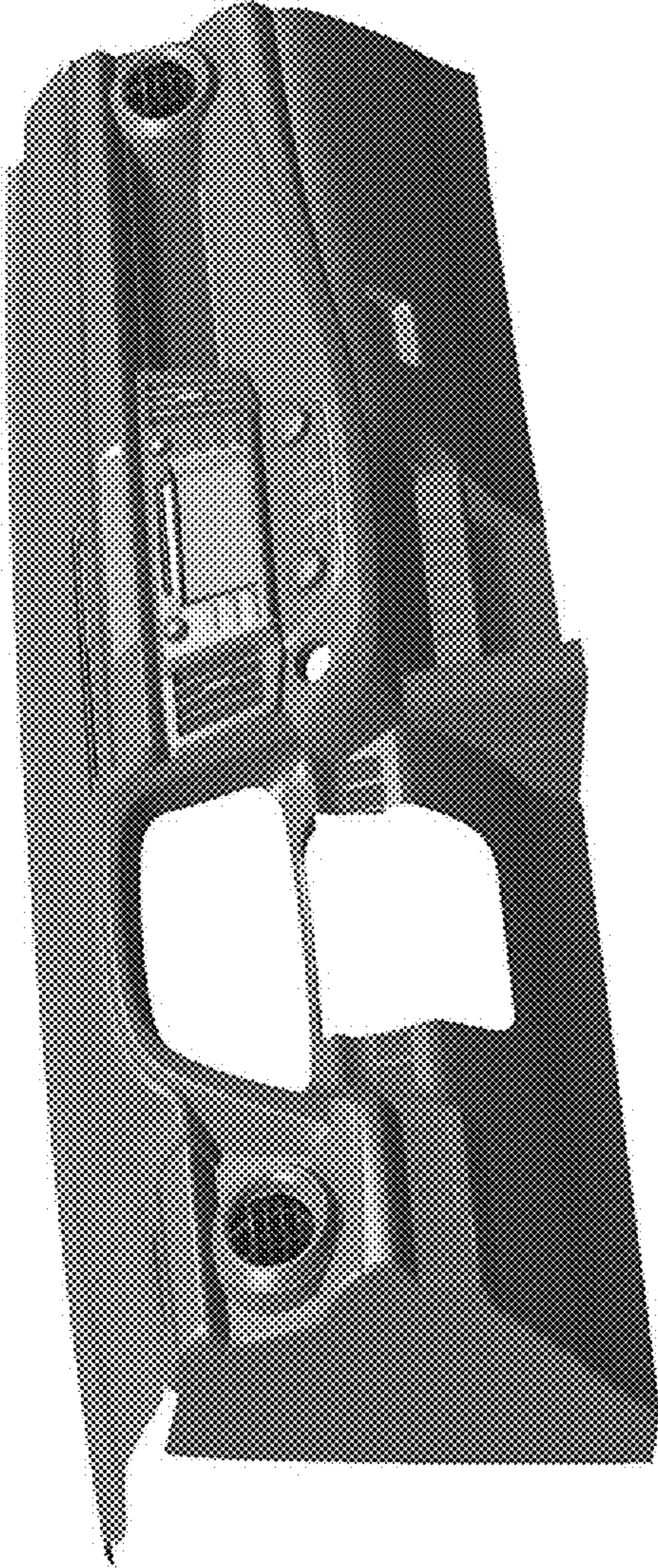


FIG. 1

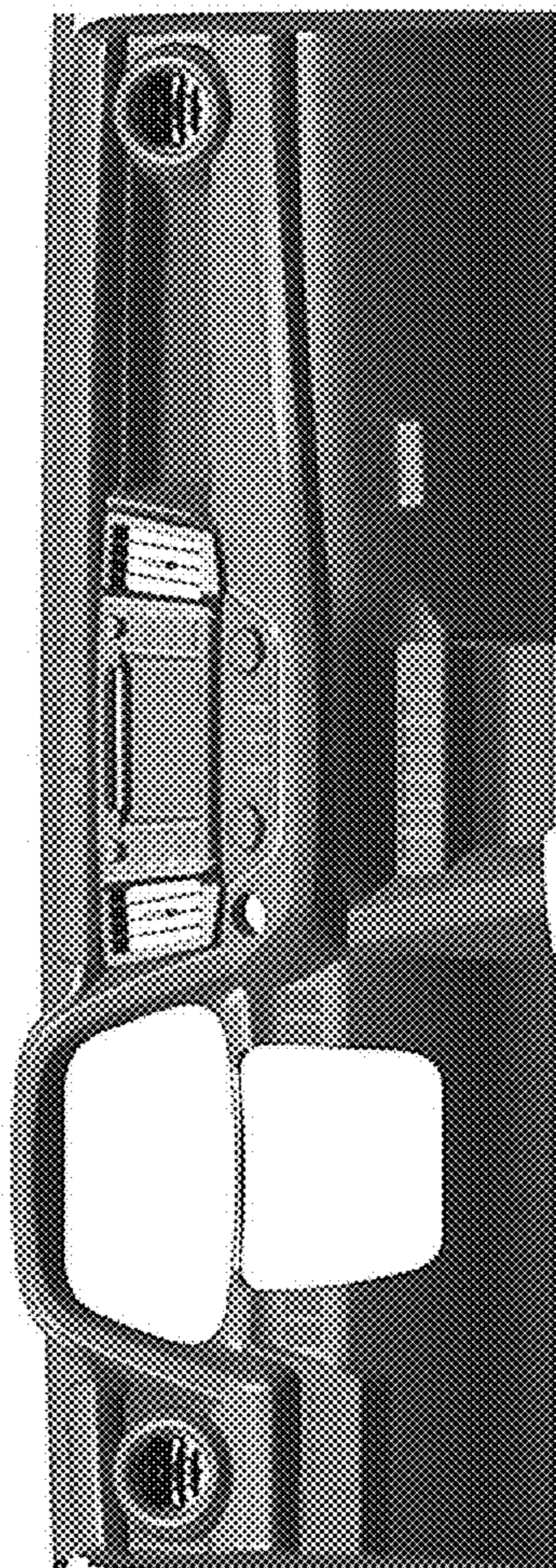


Fig. 2

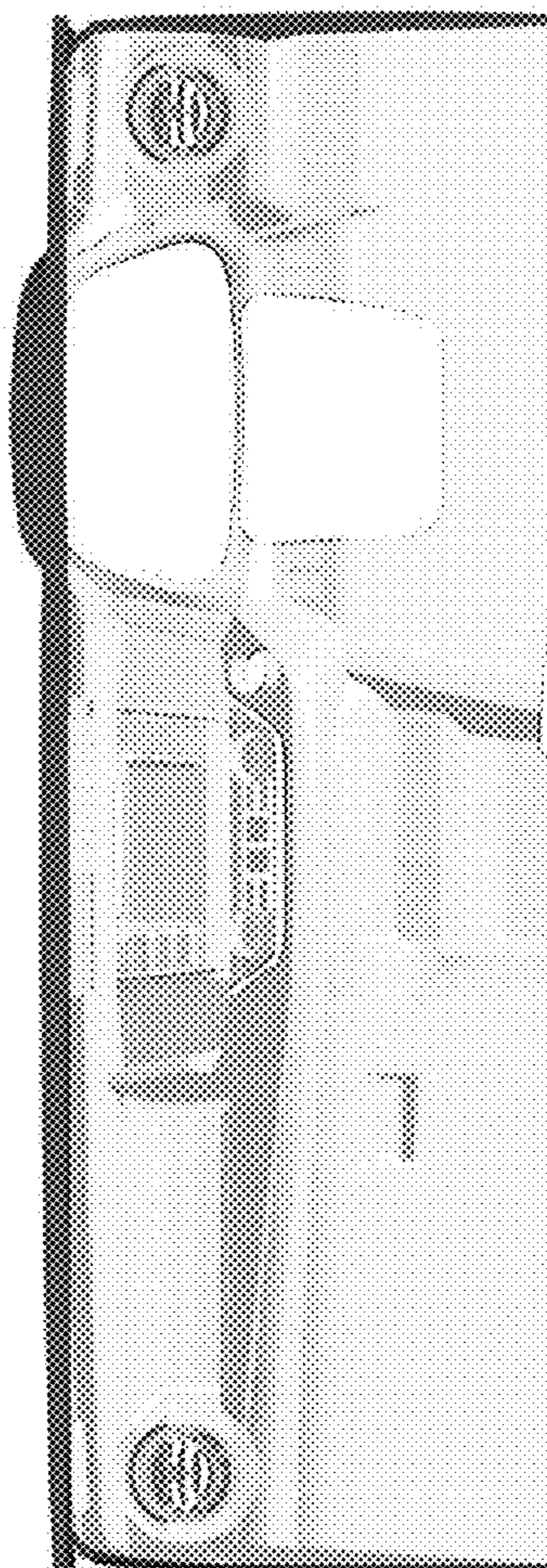


Fig. 3

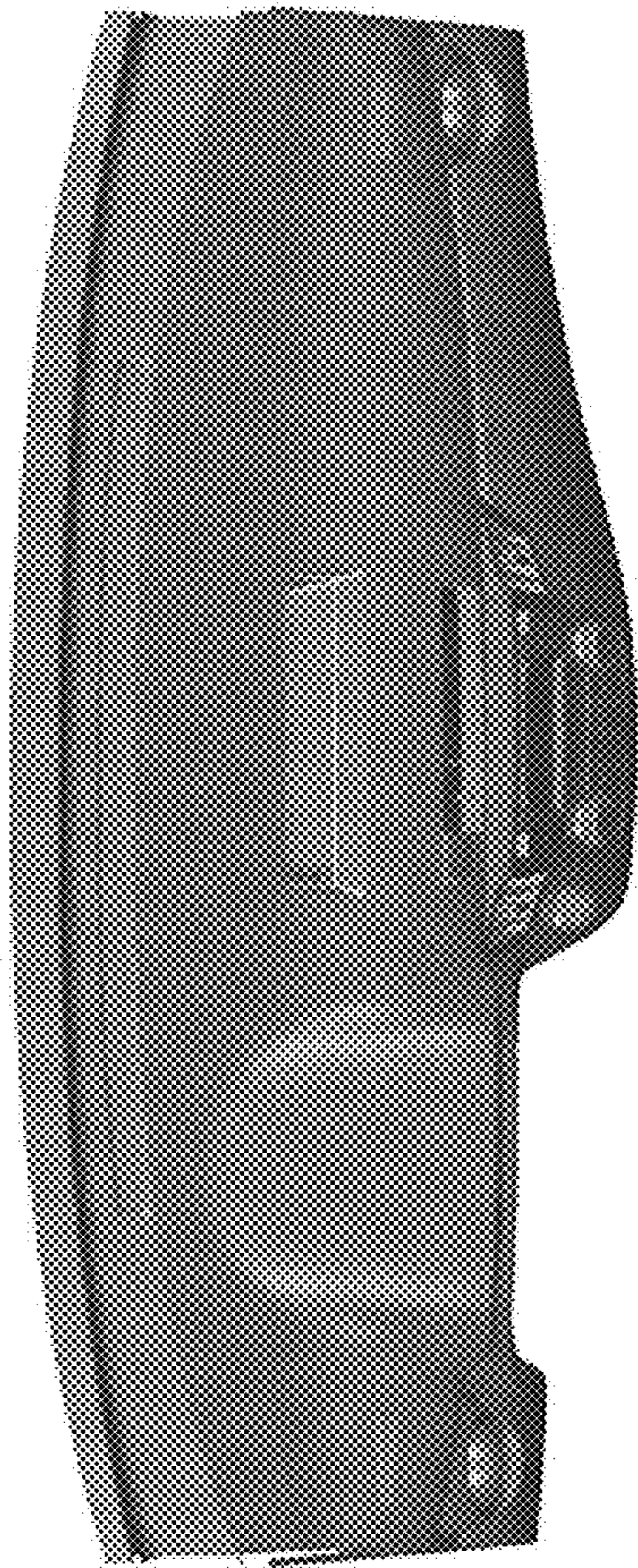


Fig. 4

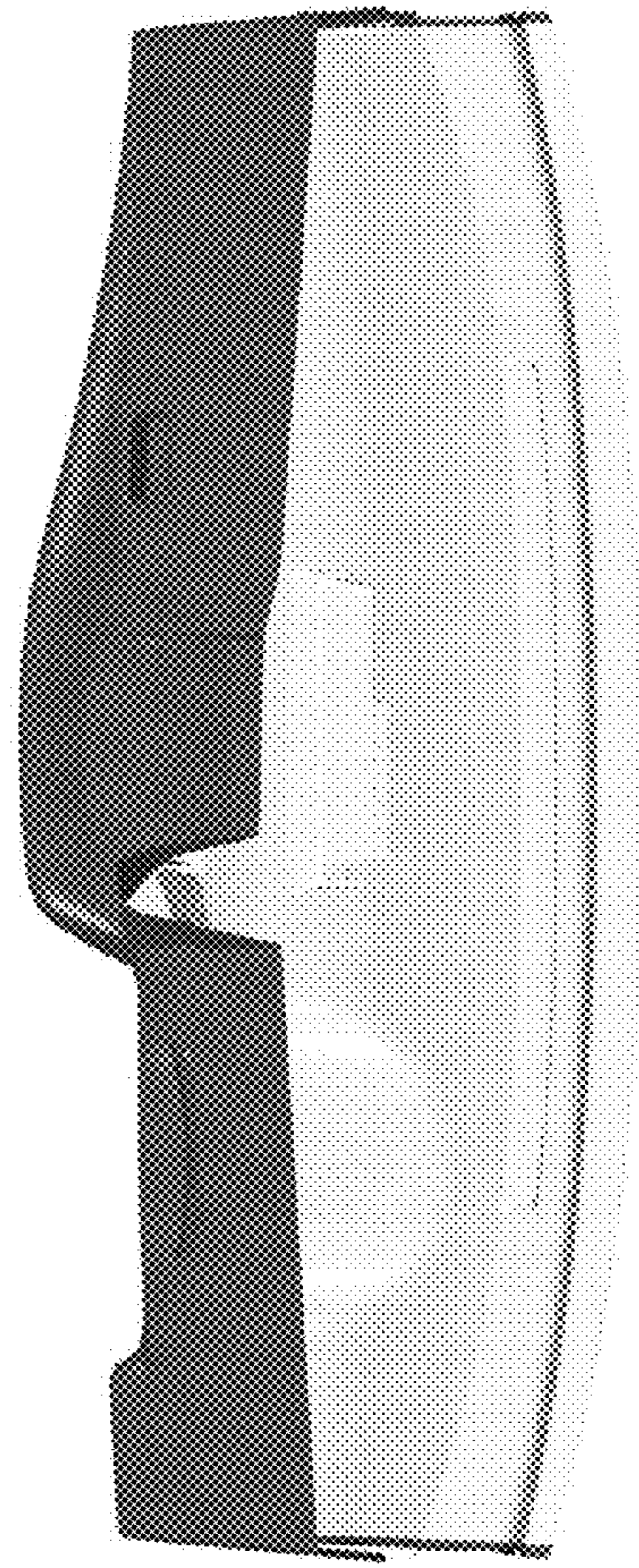


Fig. 5

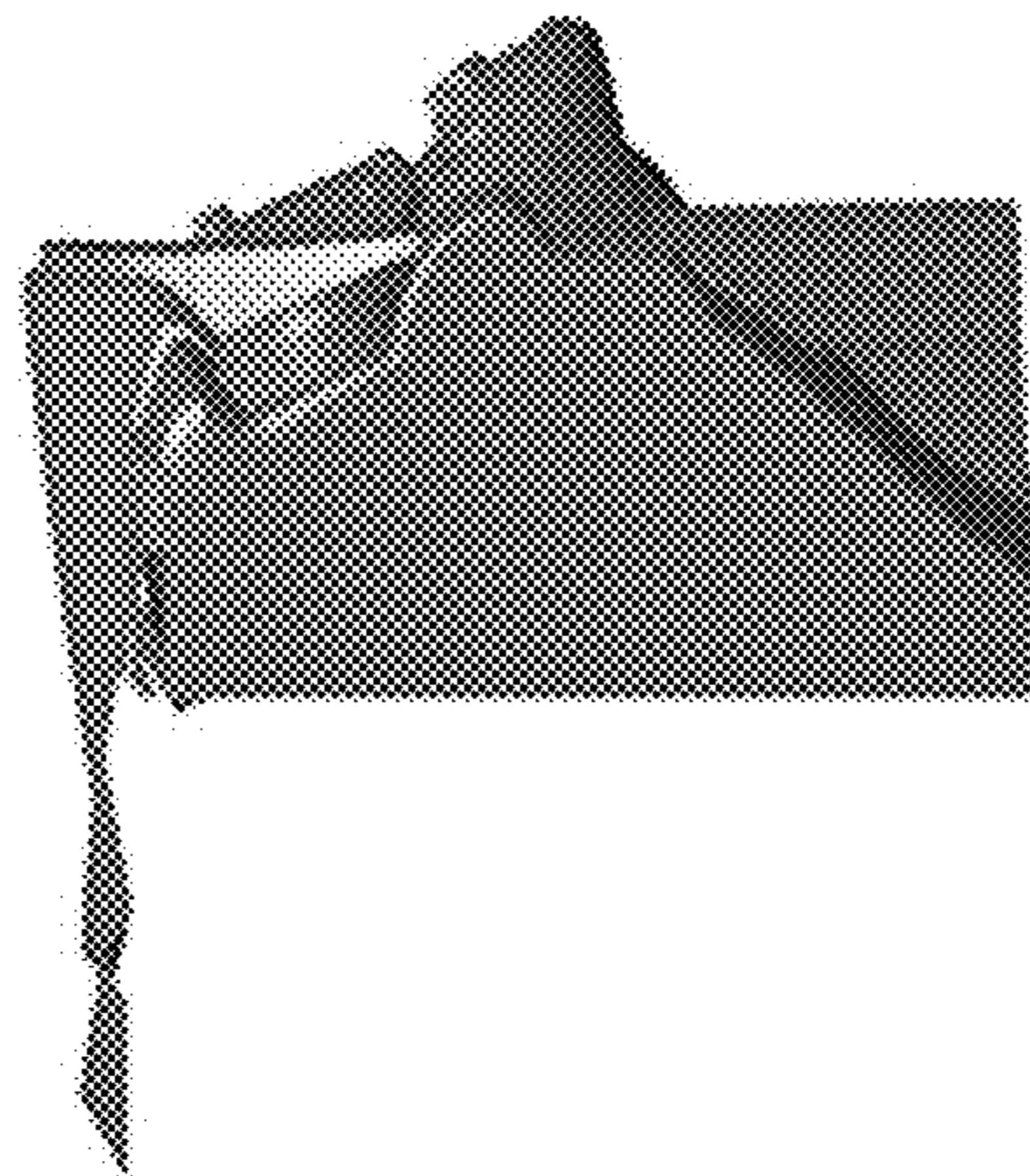


FIG. 6

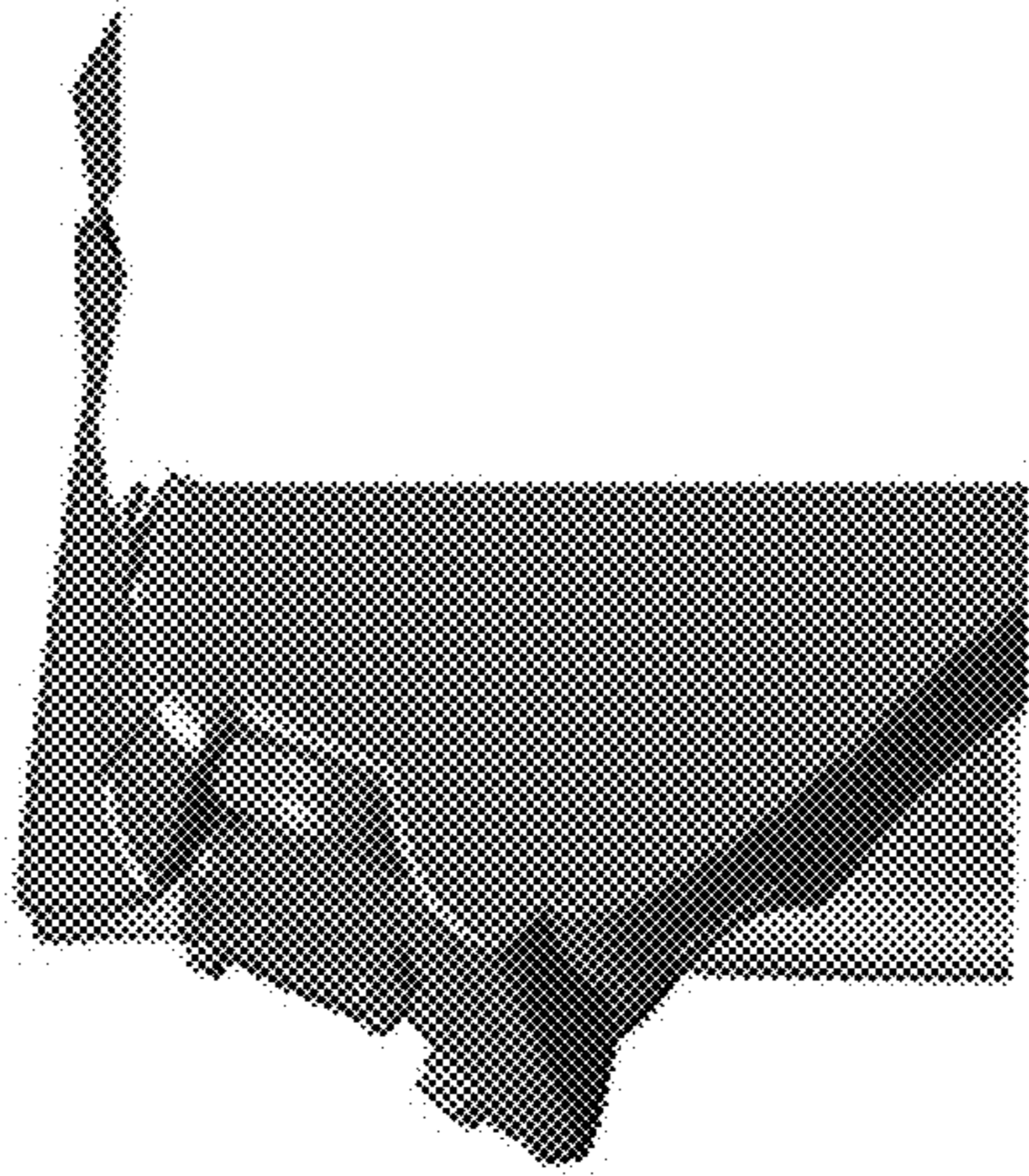


FIG. 7