



US00D705139S

(12) **United States Design Patent**
Jevremovic et al.

(10) **Patent No.:** **US D705,139 S**
(45) **Date of Patent:** **** May 20, 2014**

(54) **REAR BUMPER FOR AN AUTOMOBILE**

D663,658 S * 7/2012 Karras et al. D12/169
D664,486 S * 7/2012 Xu et al. D12/169
D673,088 S * 12/2012 Thompson D12/169

(71) Applicant: **Toyota Jidosha Kabushiki Kaisha,**
Toyota (JP)

(72) Inventors: **Miljan Jevremovic,** Northville, MI
(US); **Peter Kim,** Northville, MI (US);
Adam Rabinowitz, Farmington, MI
(US)

(73) Assignee: **Toyota Jidosha Kabushiki Kaisha (JP)**

(**) Term: **14 Years**

(21) Appl. No.: **29/432,633**

(22) Filed: **Sep. 18, 2012**

(30) **Foreign Application Priority Data**

Mar. 27, 2012 (JP) 2012-006908
Mar. 27, 2012 (JP) 2012-006909

(51) **LOC (10) Cl.** **12-16**

(52) **U.S. Cl.**
USPC **D12/169**

(58) **Field of Classification Search**
USPC D12/86, 90, 91, 92, 163, 167, 169, 171,
D12/196, 216; 293/102, 113, 115, 117, 120;
296/180.1, 180.2
See application file for complete search history.

(56) **References Cited**

U.S. PATENT DOCUMENTS

6,520,553 B2 * 2/2003 Muramatsu 293/155
D555,041 S * 11/2007 Davidson D12/92
D586,263 S * 2/2009 Osborne et al. D12/92
D589,416 S * 3/2009 Osborne et al. D12/169
D615,009 S * 5/2010 Schell et al. D12/169
D619,509 S * 7/2010 Choi et al. D12/164
D640,613 S * 6/2011 Bauer et al. D12/169
D640,616 S * 6/2011 Schell et al. D12/169
D647,831 S * 11/2011 Murakawa et al. D12/169

OTHER PUBLICATIONS

2013 Toyota Avalon. Electronic Brochure. Apr. 11, 2013 [online],
[retrieved on Oct. 10, 2013]. Retrieved from the Internet <URL:
[http://www.auto-brochures.com/makes/Toyota/Avalon/Toyota_](http://www.auto-brochures.com/makes/Toyota/Avalon/Toyota_US%20Avalon_2013.pdf)
[US%20Avalon_2013.pdf](http://www.auto-brochures.com/makes/Toyota/Avalon/Toyota_US%20Avalon_2013.pdf)>.*
Hyundai, Hyundai Sonata Hybrid, netcarshow.com, http://www.netcarshow.com/hyundai/2011-sonata_hybrid/, available at least as
early as Mar. 6, 2012.
Audi, Audi A7 Sportback, netcarshow.com, http://www.netcarshow.com/audi/2011-a7_sportback/, available at least as early as Mar. 6,
2012.

* cited by examiner

Primary Examiner — Philip S Hyder

Assistant Examiner — Darlington Ly

(74) *Attorney, Agent, or Firm* — SAIDMAN DesignLaw
Group

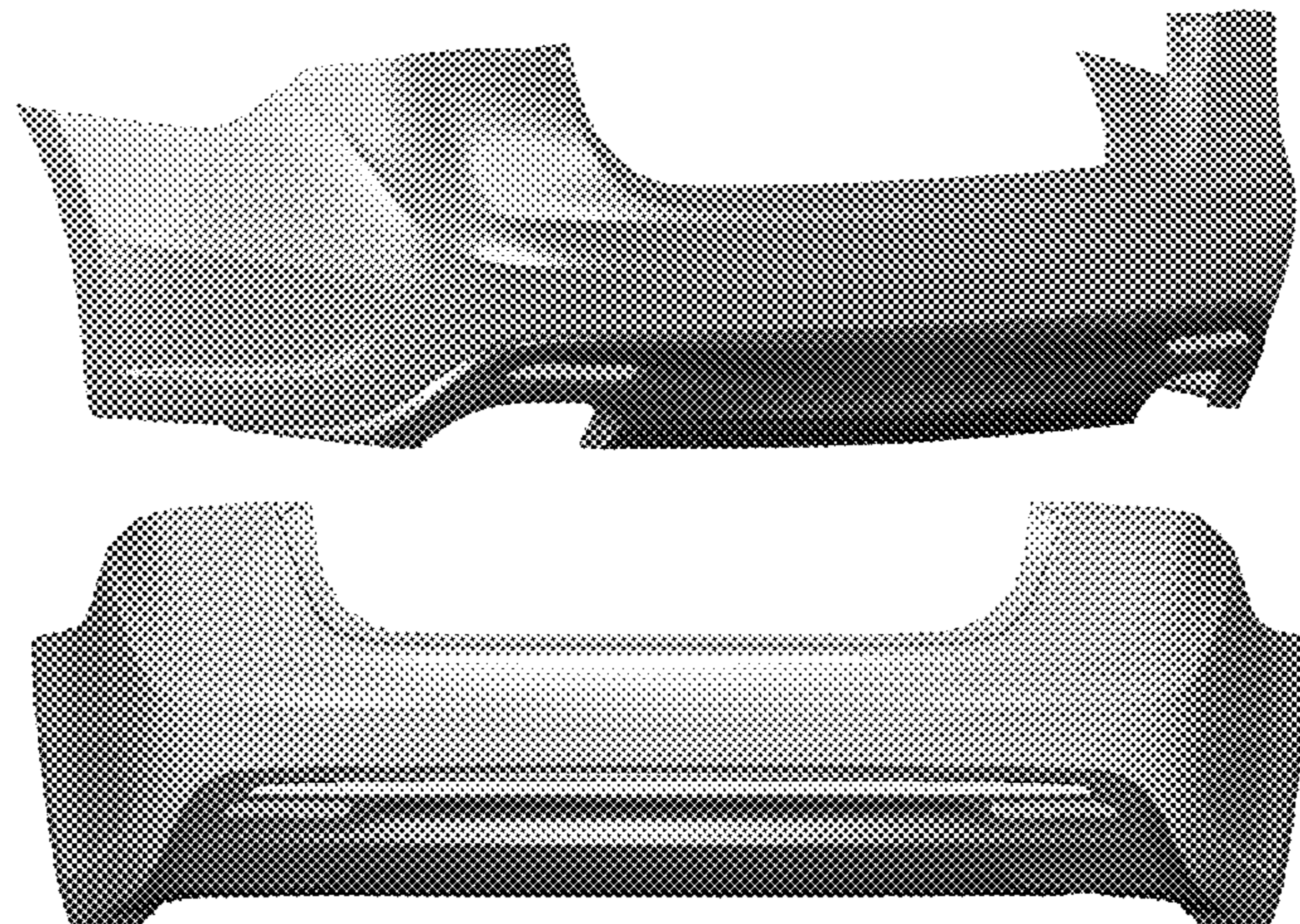
(57) **CLAIM**

The ornamental design for a rear bumper for an automobile,
as shown and described.

DESCRIPTION

FIG. 1 is a perspective view of a first embodiment of a rear
bumper for an automobile showing our new design;
FIG. 2 is a front elevation view thereof;
FIG. 3 is a top plan view thereof;
FIG. 4 is a bottom plan view thereof;
FIG. 5 is a left side elevation view thereof;
FIG. 6 is a right side elevation view thereof;
FIG. 7 is a perspective view of a second embodiment of a rear
bumper for an automobile showing our new design;
FIG. 8 is a front elevation view thereof;
FIG. 9 is a top plan view thereof;
FIG. 10 is a bottom plan view thereof;
FIG. 11 is a left side elevation view thereof; and,
FIG. 12 is a right side elevation thereof.

1 Claim, 8 Drawing Sheets



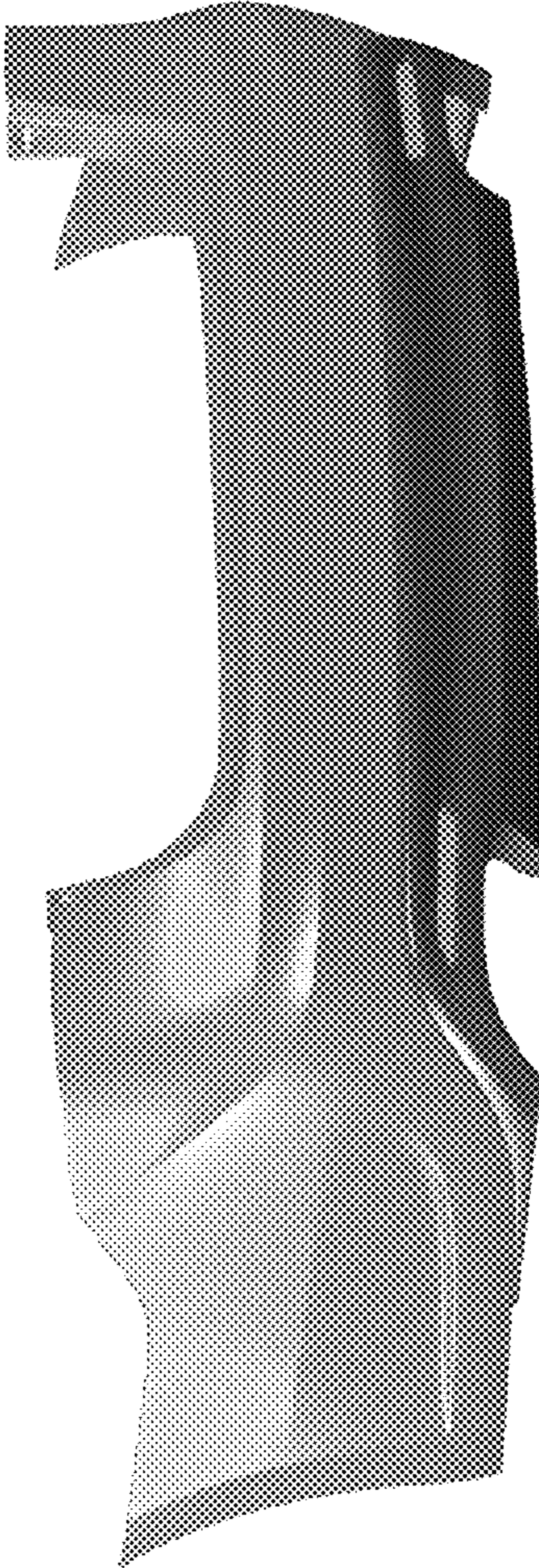


FIG. 1

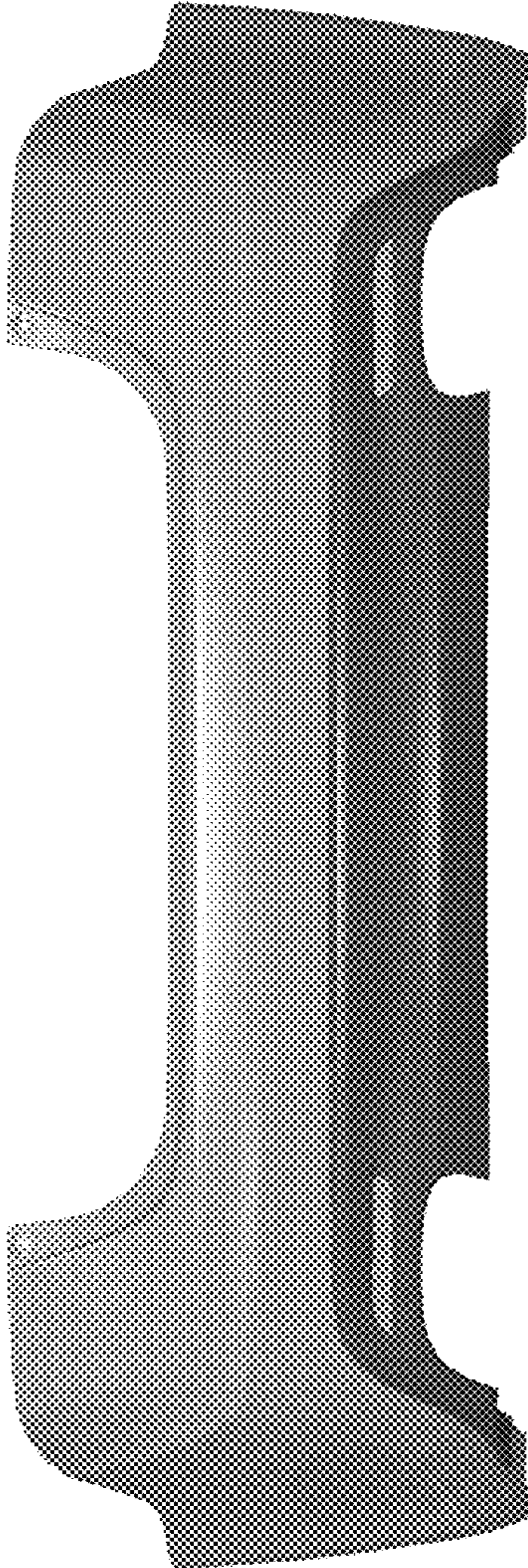


FIG. 2

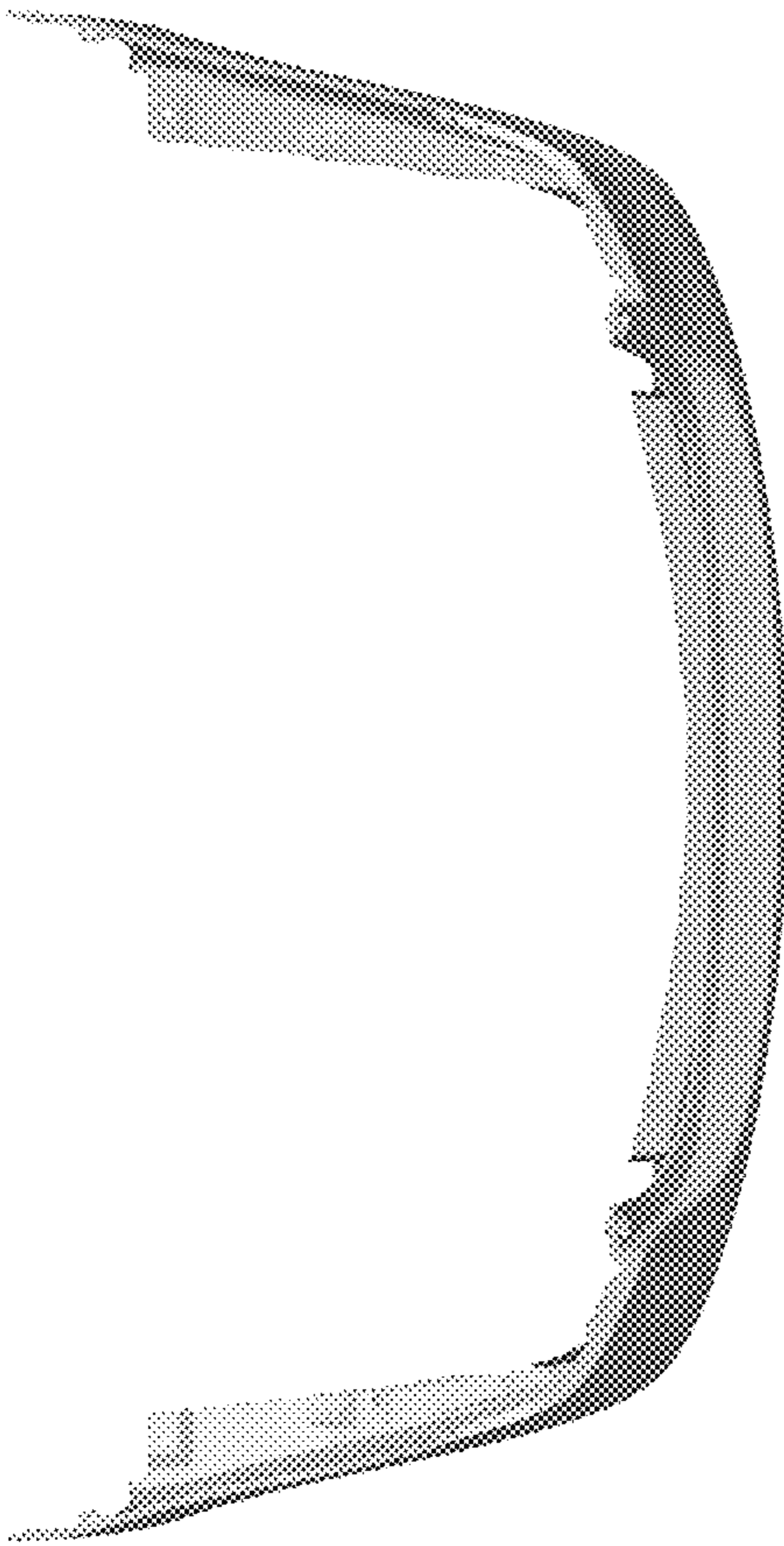


FIG. 3

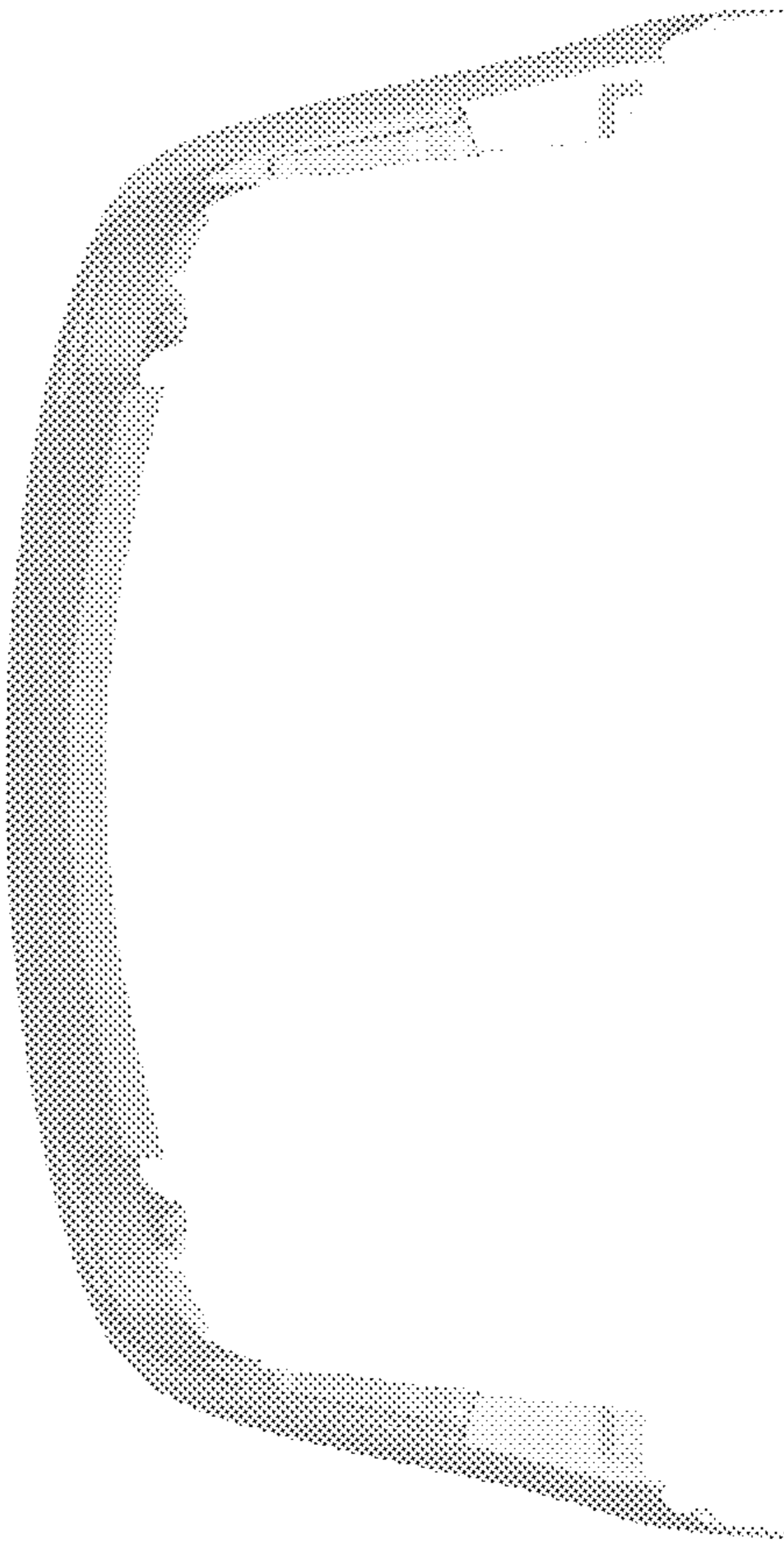


FIG. 4

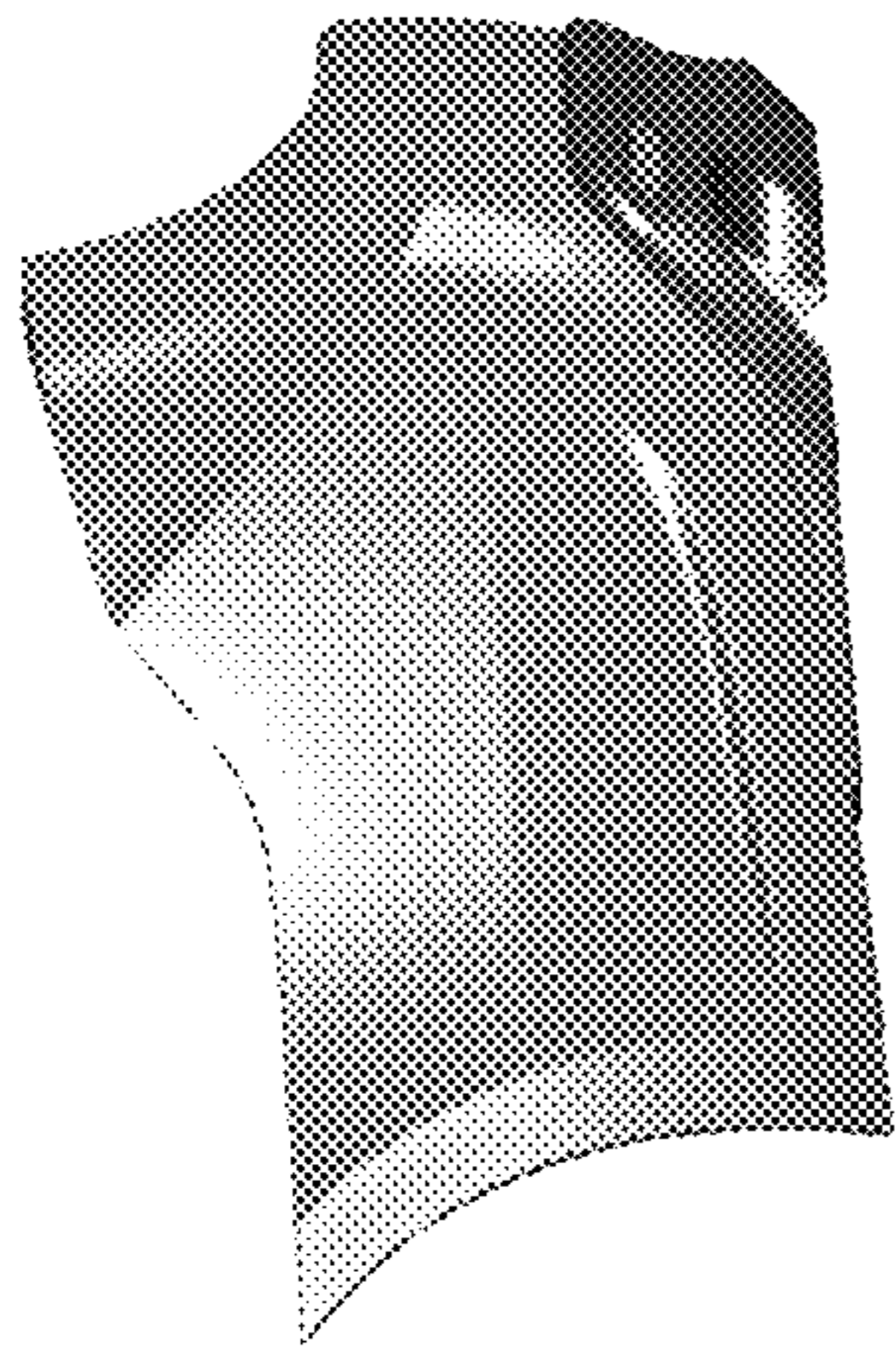


FIG. 5

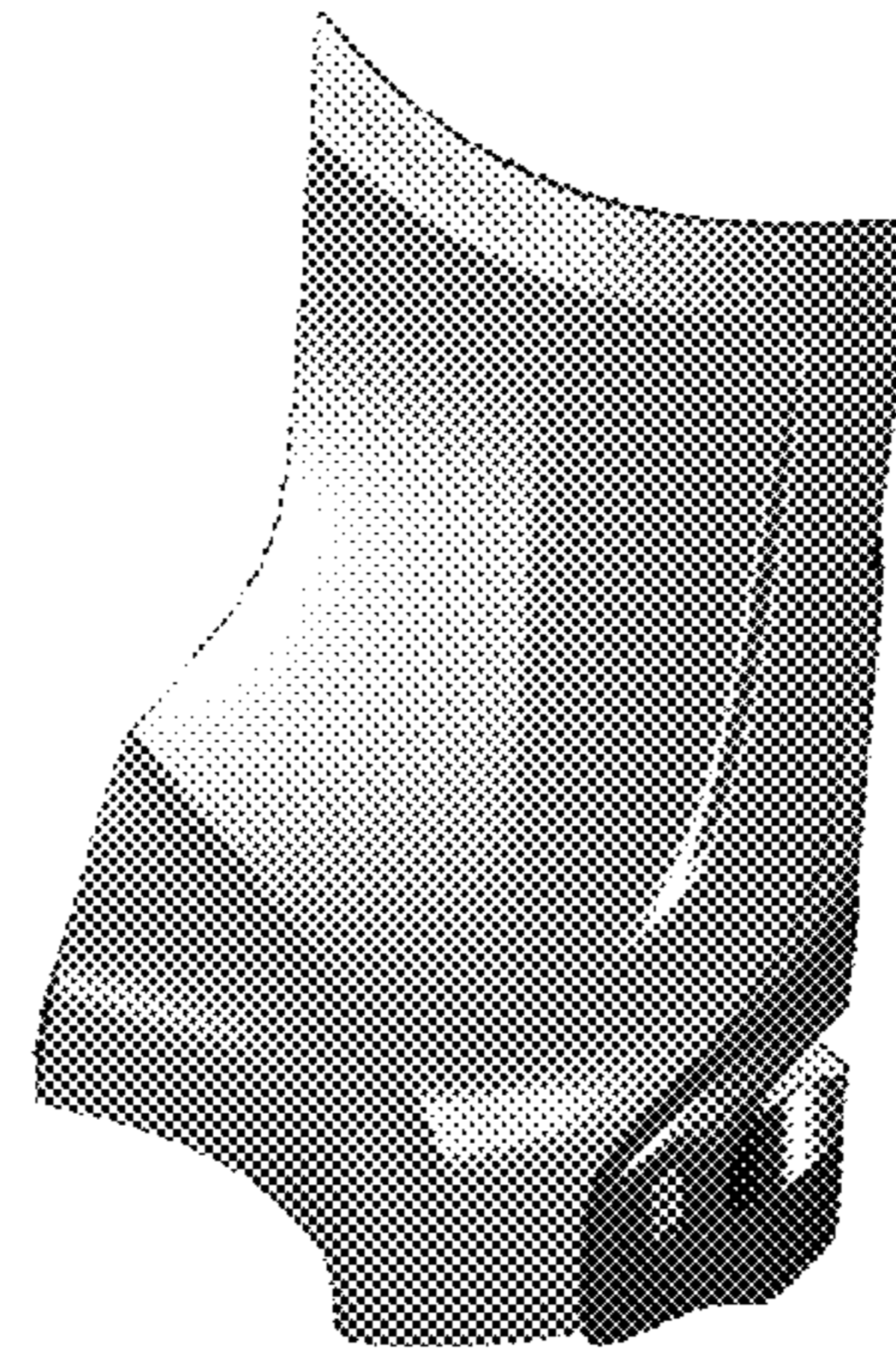


FIG. 6

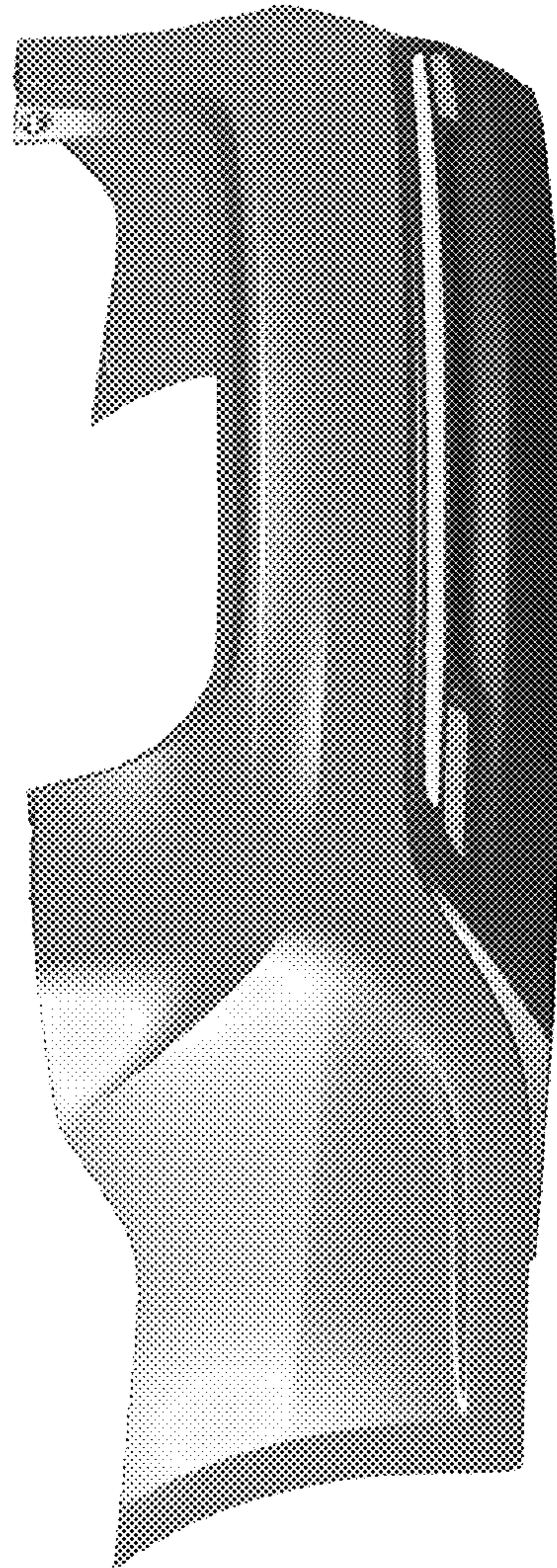


FIG. 7

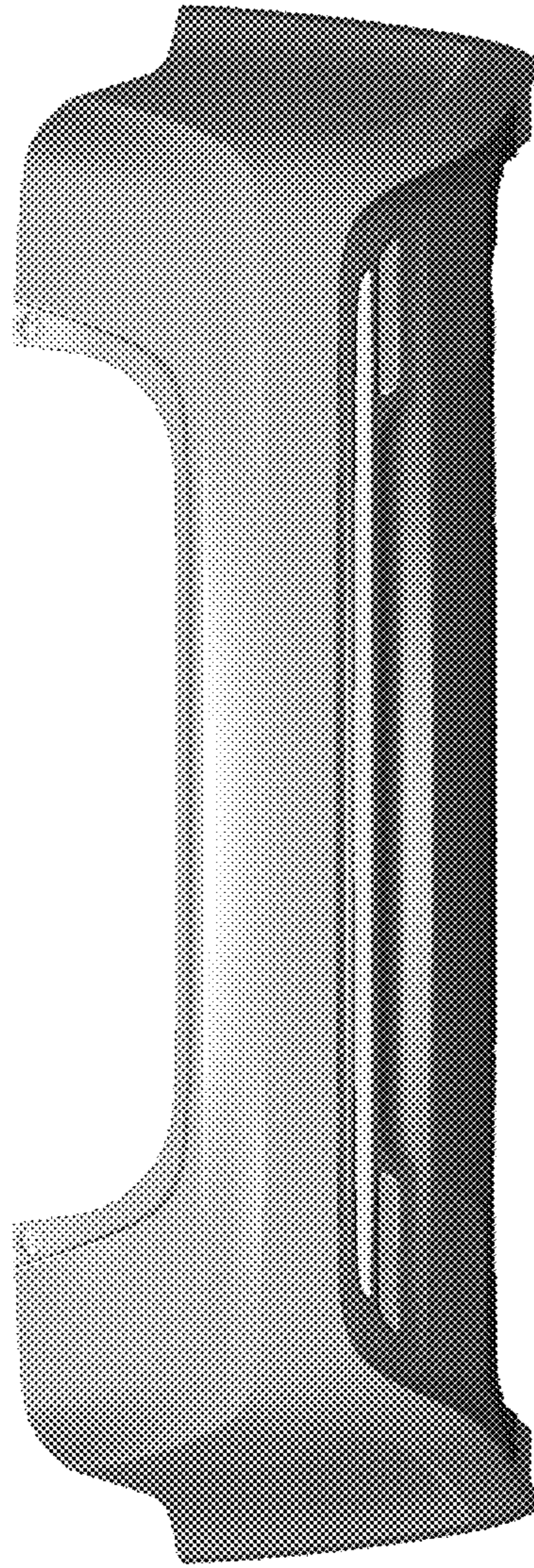


FIG. 8

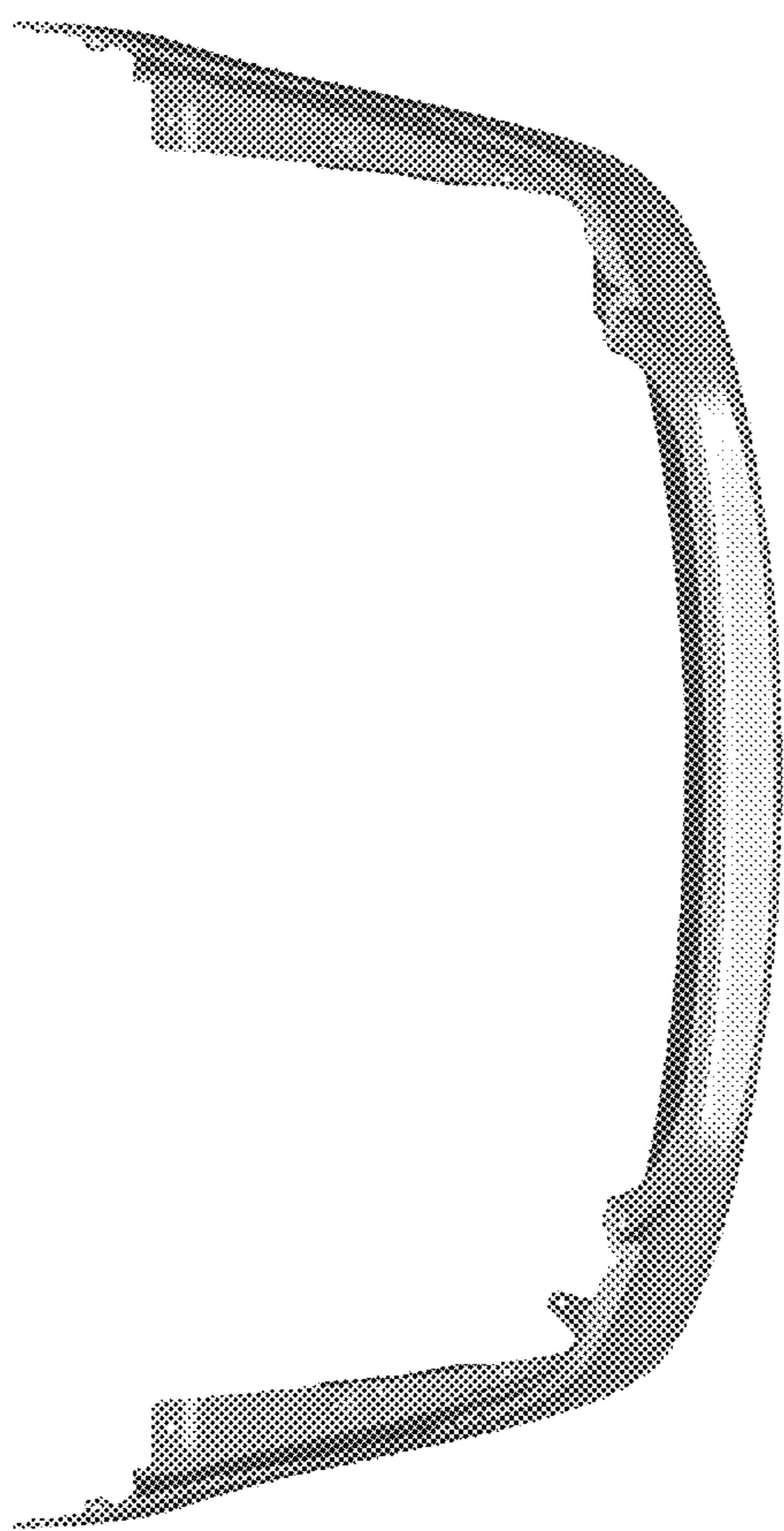


FIG. 9

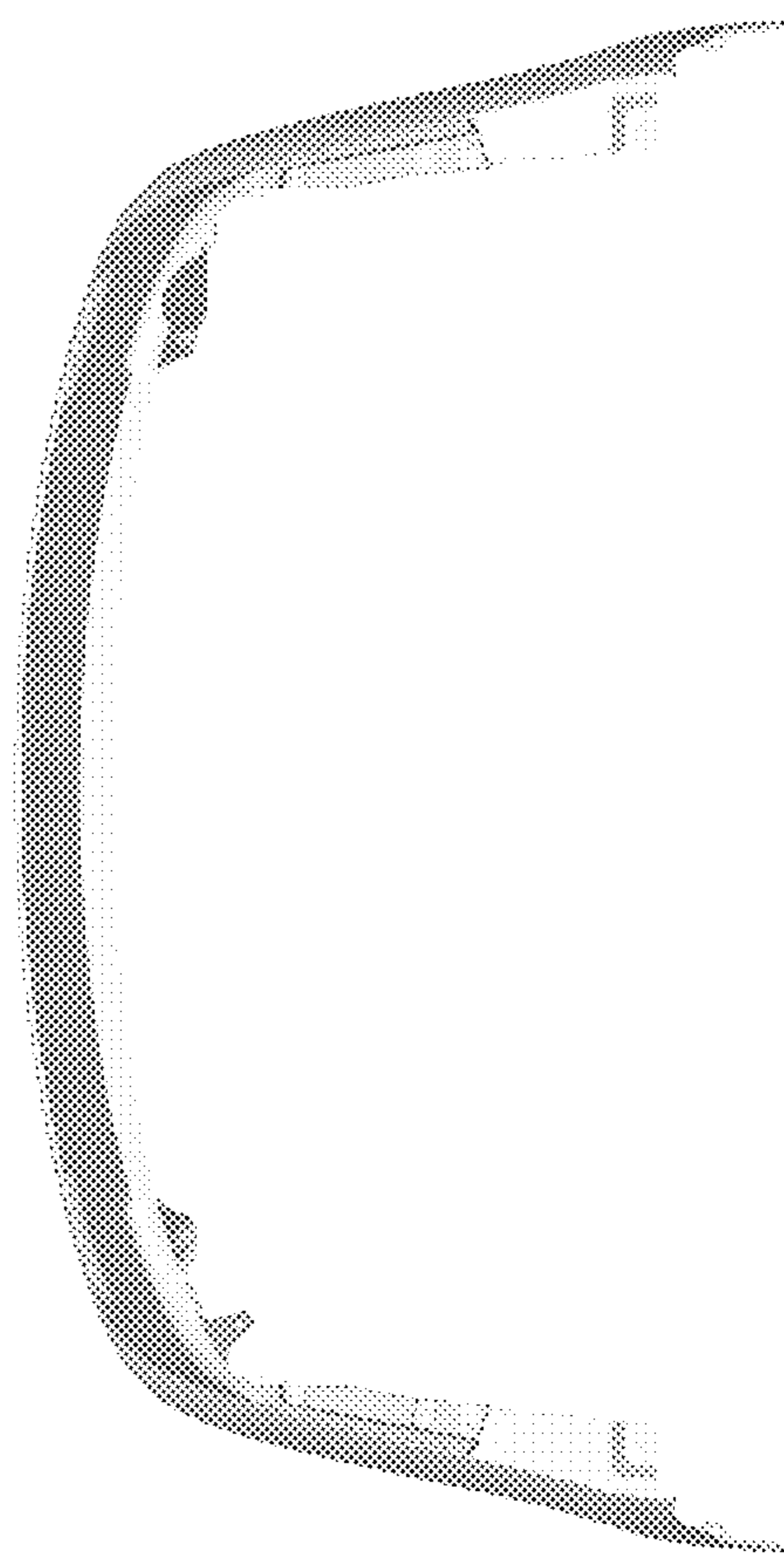


FIG. 10

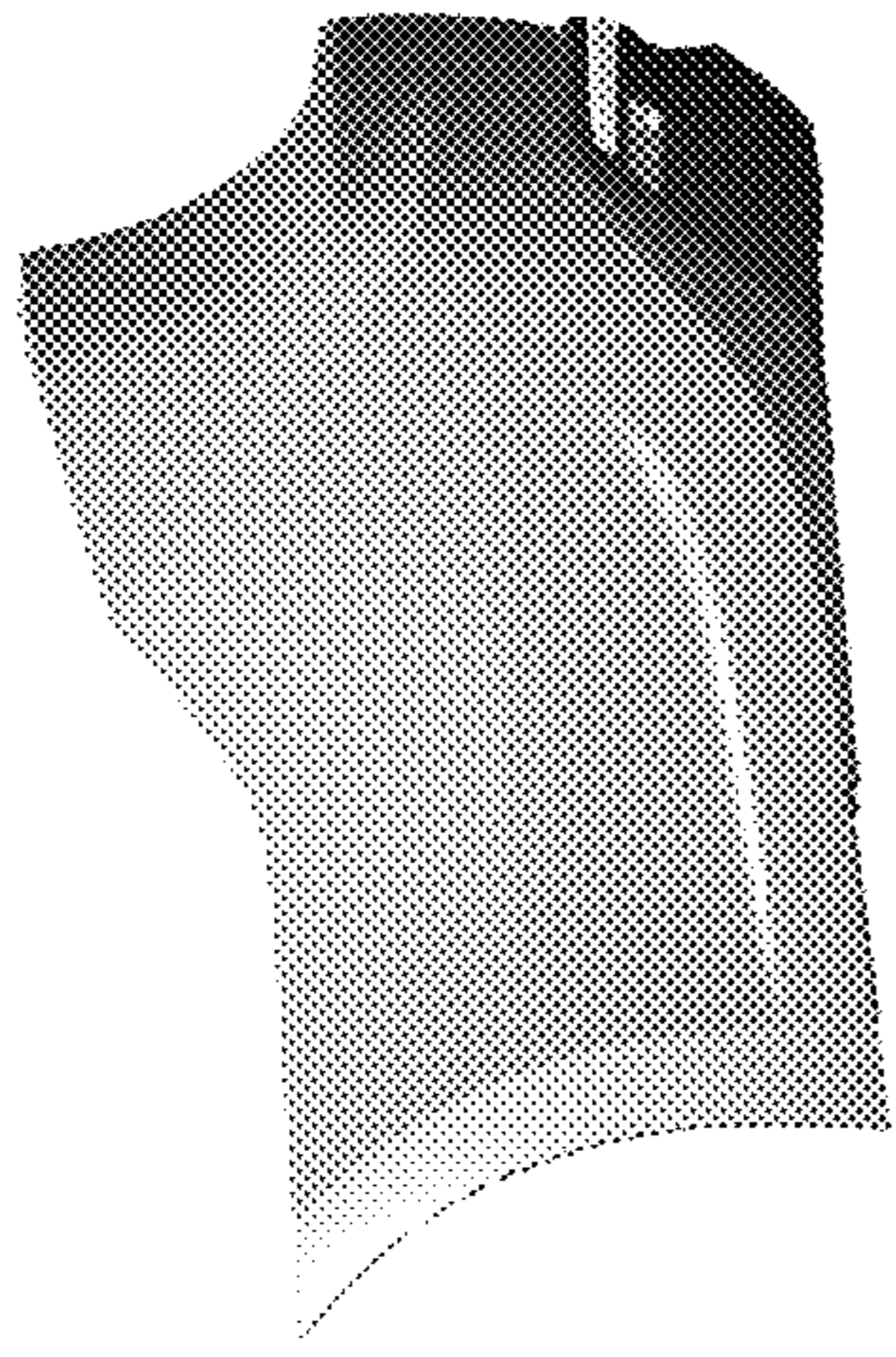


FIG. 11

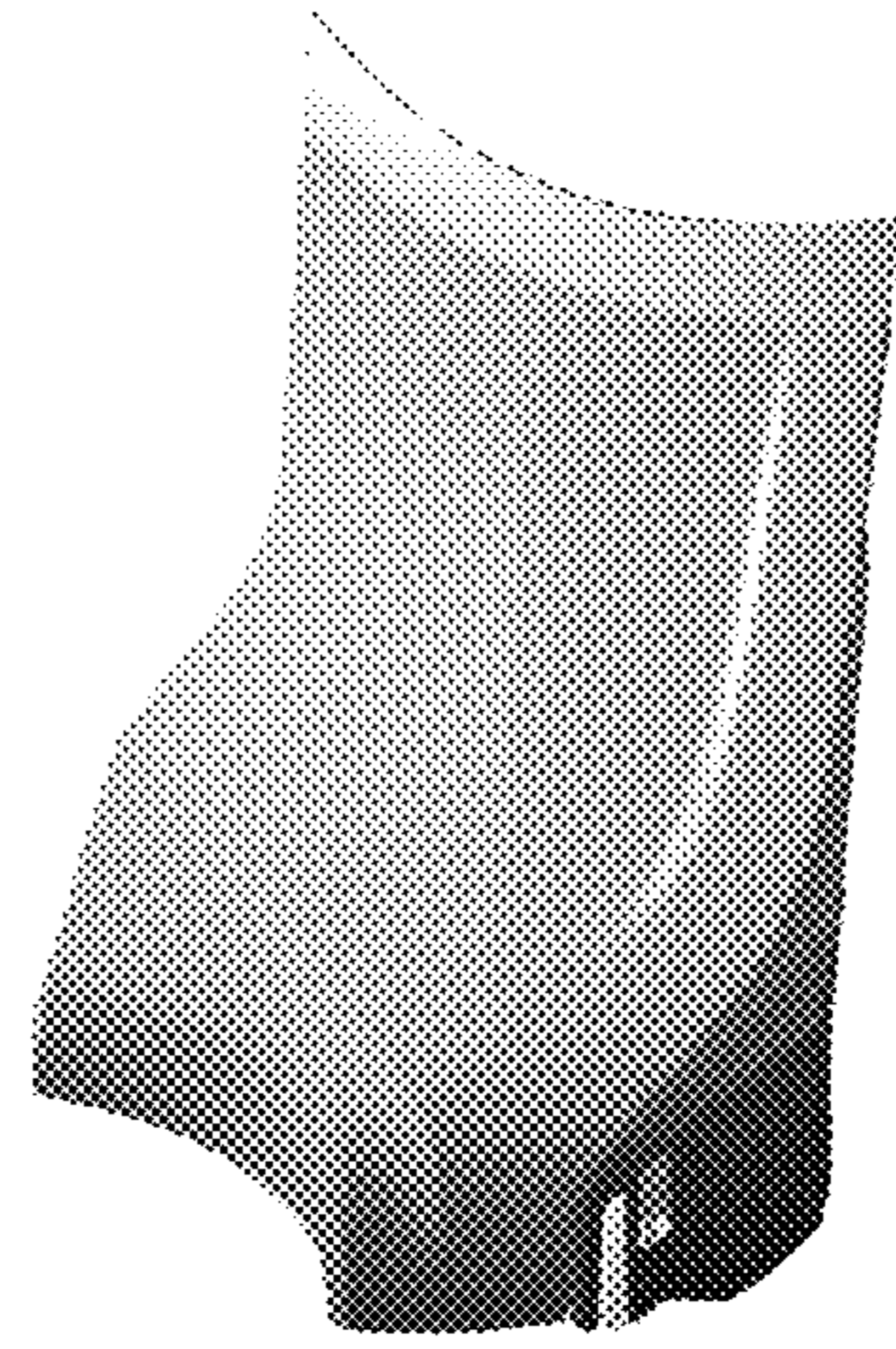


FIG. 12