



US00D705138S

(12) **United States Design Patent**
Borkert

(10) **Patent No.:** **US D705,138 S**

(45) **Date of Patent:** **** May 20, 2014**

(54) **FRONT BUMPER FOR A MOTOR VEHICLE**

(75) Inventor: **Mitja Borkert**, Stuttgart (DE)

(73) Assignee: **Dr. Ing. H.C. F. Porsche**
Aktiengesellschaft, Stuttgart (DE)

(**) Term: **14 Years**

(21) Appl. No.: **29/420,978**

(22) Filed: **May 15, 2012**

(30) **Foreign Application Priority Data**

Nov. 17, 2011 (DE) 40 2011 006 305

(51) **LOC (10) Cl.** **12-16**

(52) **U.S. Cl.**
USPC **D12/169**

(58) **Field of Classification Search**
USPC D12/169, 216, 90-92, 86, 171, 196,
D12/163; 293/102, 113, 115, 117, 120;
296/180.1, 180.2
See application file for complete search history.

(56) **References Cited**

U.S. PATENT DOCUMENTS

D584,200 S * 1/2009 Leclercq D12/169
D592,566 S * 5/2009 Saracoglu D12/169

D592,568 S * 5/2009 Borkert D12/169
D597,453 S * 8/2009 Varga D12/169
D598,334 S * 8/2009 Giachin D12/163
D598,827 S * 8/2009 Kanai et al. D12/169
D598,828 S * 8/2009 Lee D12/169
D610,955 S * 3/2010 Kulla D12/169
D616,794 S * 6/2010 Borkert D12/169

* cited by examiner

Primary Examiner — Melody Brown

(74) *Attorney, Agent, or Firm* — RatnerPrestia

(57) **CLAIM**

The ornamental design for a front bumper for a motor vehicle, as shown and described.

DESCRIPTION

FIG. 1 is a perspective view of a front bumper for a motor vehicle;

FIG. 2 is a front elevation view thereof;

FIG. 3 is a rear elevation view thereof;

FIG. 4 is an elevation view from the right side thereof;

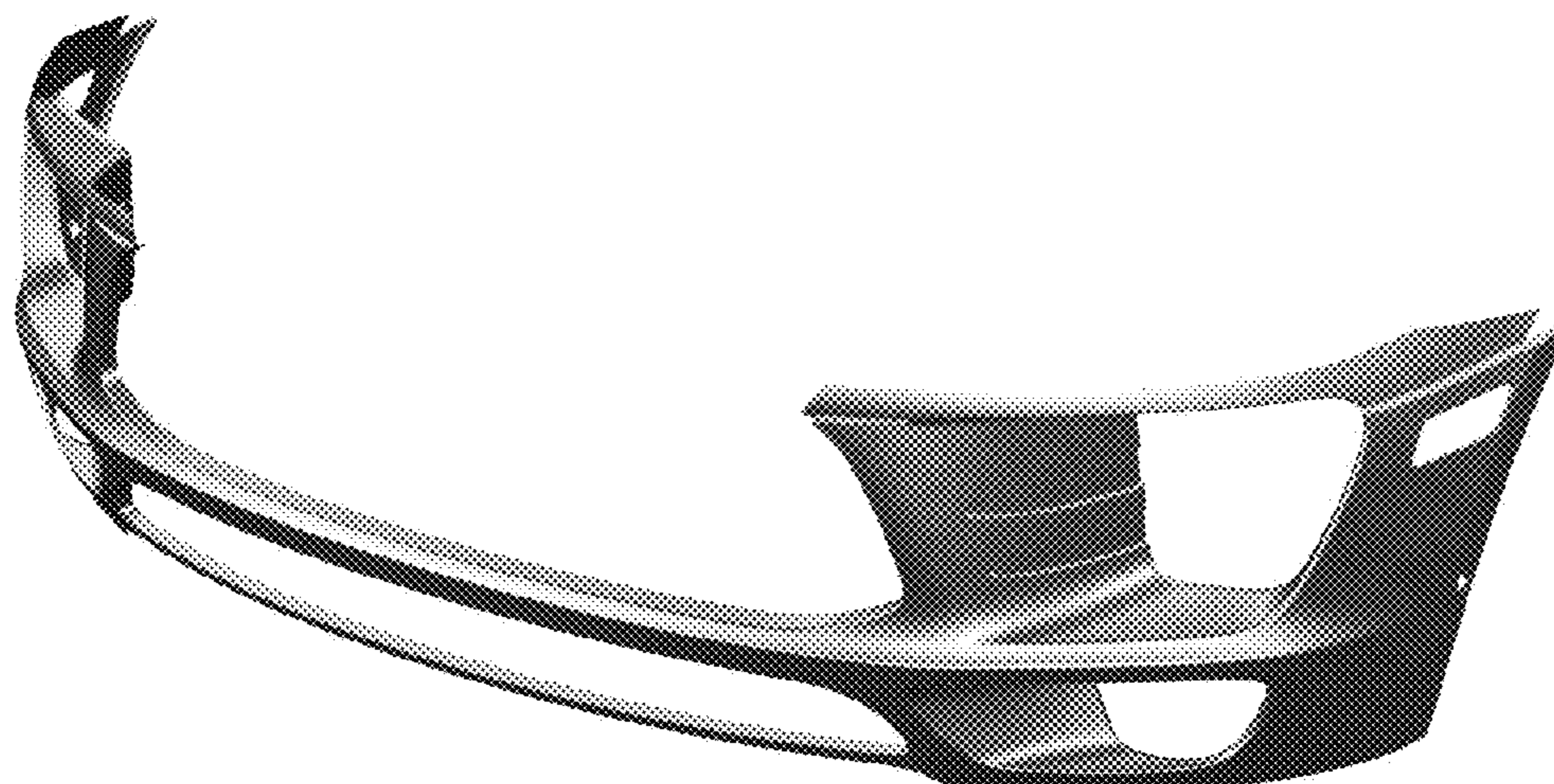
FIG. 5 is an elevation view from the left side thereof;

FIG. 6 is a top plan view thereof; and,

FIG. 7 is a bottom plan view thereof.

The features which are encircled by broken lines form no part of the claimed design.

1 Claim, 4 Drawing Sheets



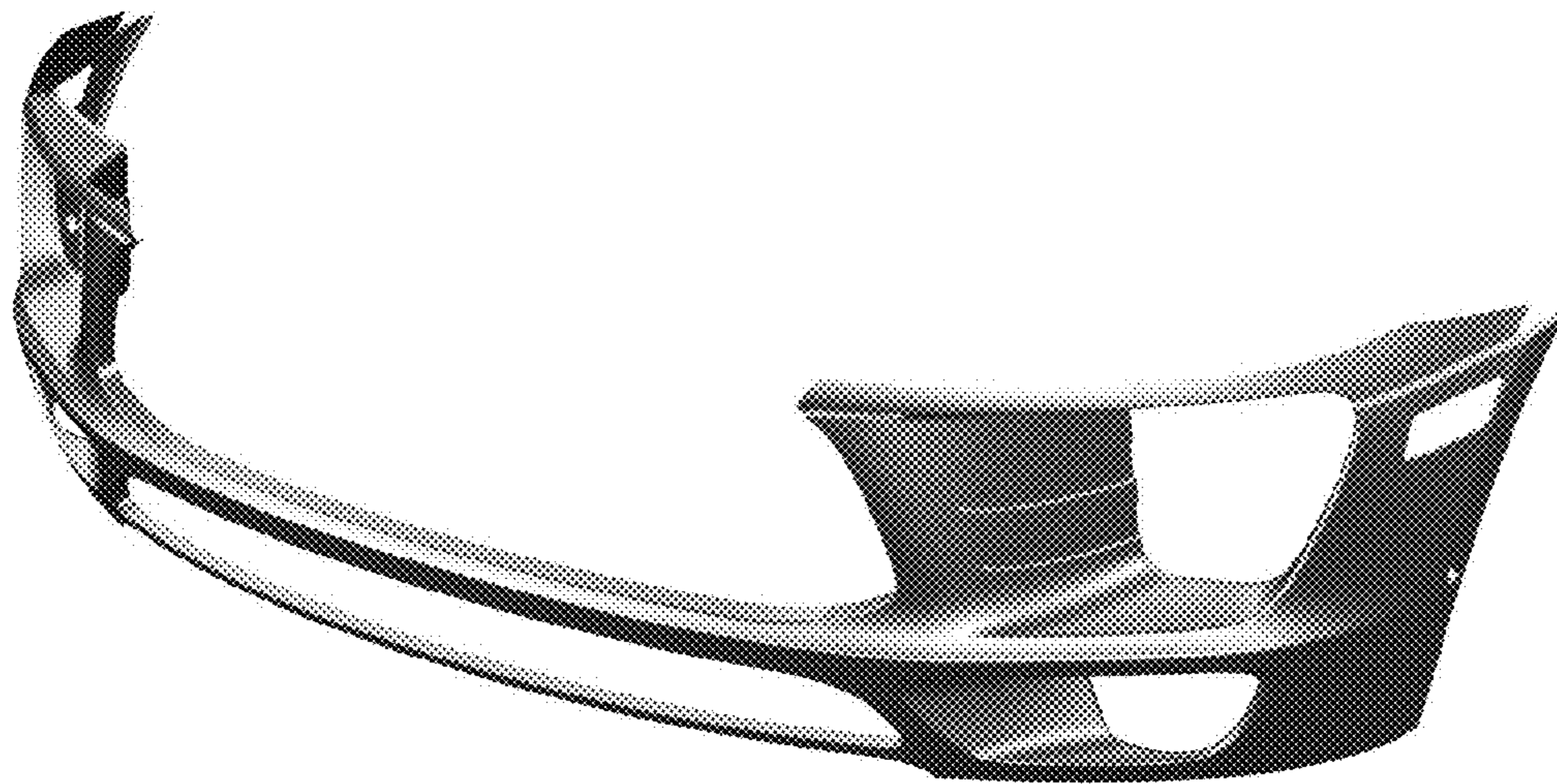


Figure 1



Figure 2



Figure 3

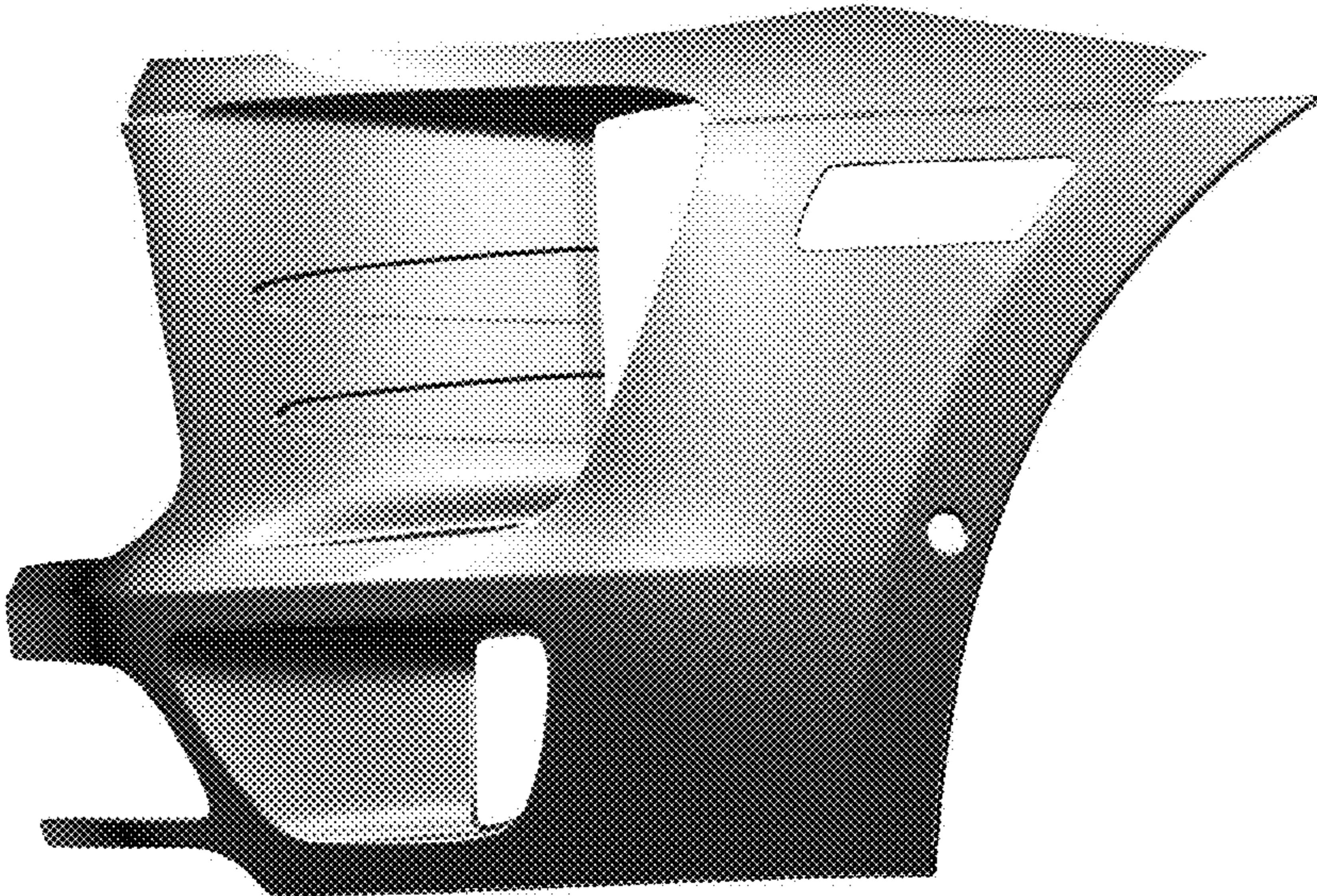


Figure 4

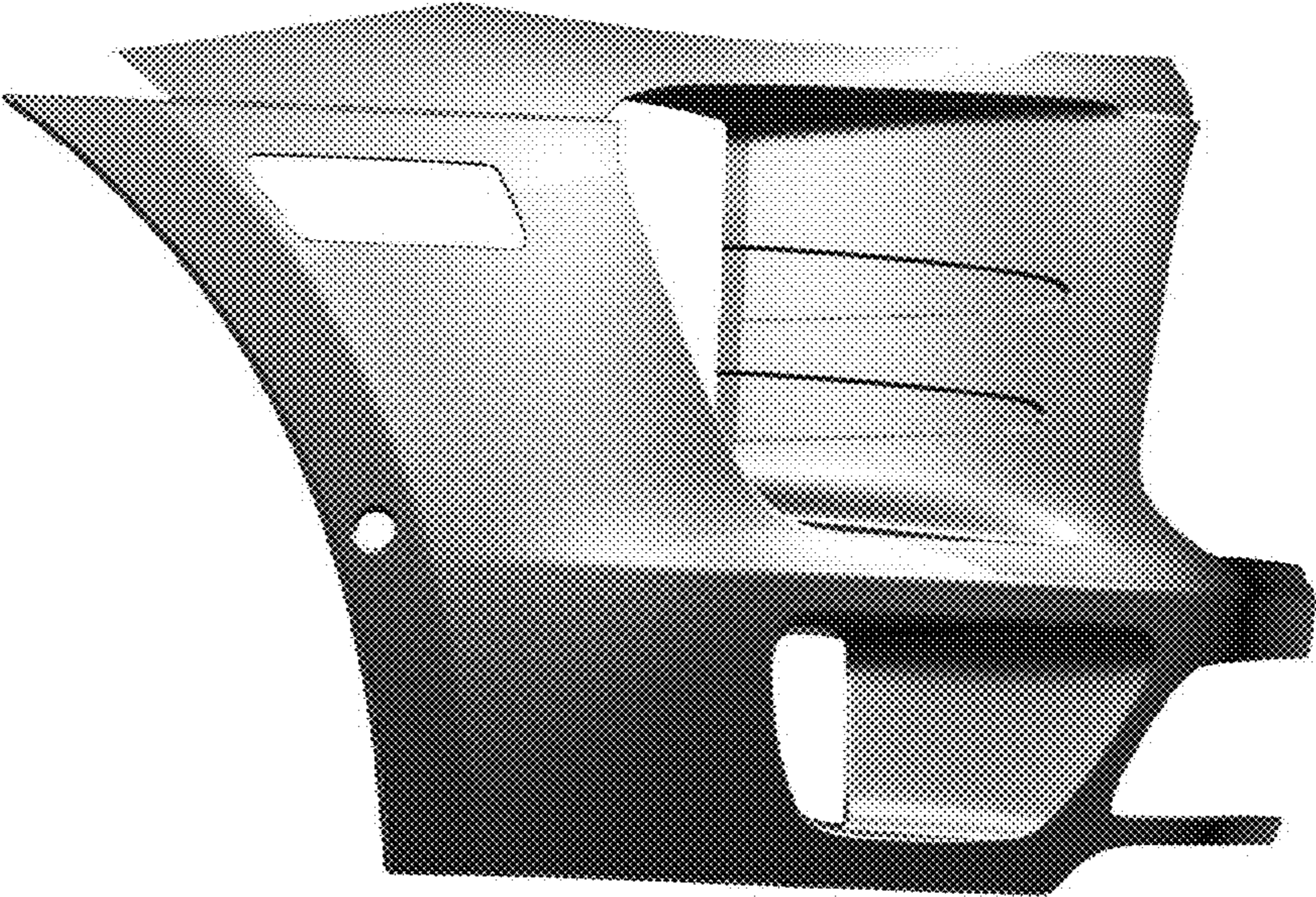


Figure 5

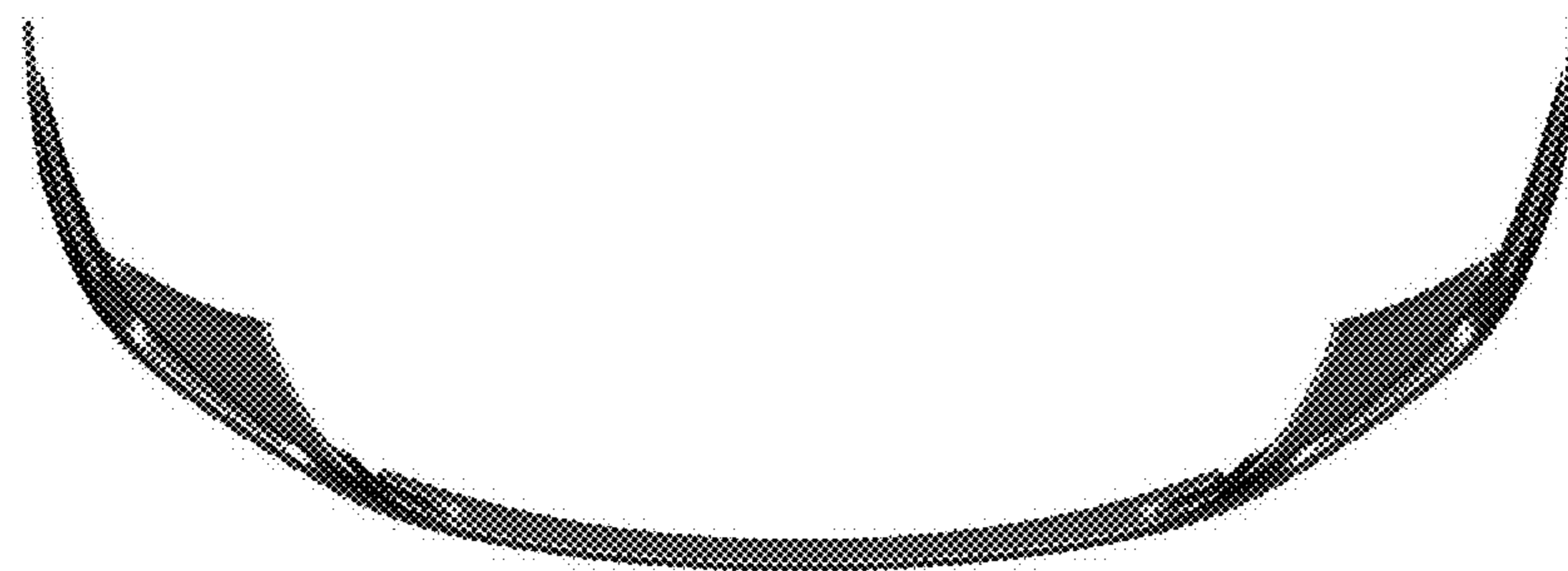


Figure 6



Figure 7

UNITED STATES PATENT AND TRADEMARK OFFICE
CERTIFICATE OF CORRECTION

PATENT NO. : D705,138 S
APPLICATION NO. : 29/420978
DATED : May 20, 2014
INVENTOR(S) : Mitja Borkert

Page 1 of 1

It is certified that error appears in the above-identified patent and that said Letters Patent is hereby corrected as shown below:

On the Title Page, item (73), Assignee, "Dr. Ing. H.C. F. Porsche Aktiengesellschaft"

should read -- Dr. Ing. h.c. F. Porsche Aktiengesellschaft --.

Signed and Sealed this
Fourth Day of November, 2014



Michelle K. Lee
Deputy Director of the United States Patent and Trademark Office