



US00D705136S

(12) **United States Design Patent**  
**Miyazawa**

(10) **Patent No.:** **US D705,136 S**

(45) **Date of Patent:** **\*\* May 20, 2014**

(54) **GRILL FOR AUTOMOBILES**

(71) Applicant: **Honda Motor Co., Ltd.**, Tokyo (JP)

(72) Inventor: **Takuya Miyazawa**, Wako (JP)

(73) Assignee: **Honda Motor Co., Ltd.**, Tokyo (JP)

(\*\*) Term: **14 Years**

(21) Appl. No.: **29/438,618**

(22) Filed: **Nov. 30, 2012**

(30) **Foreign Application Priority Data**

May 31, 2012 (JP) ..... 2012-012936

(51) **LOC (10) Cl.** ..... **12-16**

(52) **U.S. Cl.**  
USPC ..... **D12/163**

(58) **Field of Classification Search**  
USPC ..... D12/163, 196, 171, 169, 216, 90-92,  
D12/86; 180/68.1, 68.6; 296/193.11  
See application file for complete search history.

(56) **References Cited**

**U.S. PATENT DOCUMENTS**

D562,741 S \* 2/2008 Matsumoto et al. .... D12/163  
D565,480 S \* 4/2008 McMahan ..... D12/163

D614,543 S \* 4/2010 Kitazumi et al. .... D12/163  
D616,342 S \* 5/2010 Kim ..... D12/163  
D625,670 S \* 10/2010 Roller et al. .... D12/163  
D631,801 S \* 2/2011 Sperling et al. .... D12/163  
D633,831 S \* 3/2011 Matei et al. .... D12/163  
D637,531 S \* 5/2011 Miyazawa ..... D12/163  
D637,532 S \* 5/2011 Miyazawa ..... D12/163  
D642,964 S \* 8/2011 Miyazawa ..... D12/163  
D651,141 S \* 12/2011 Tachibana ..... D12/163  
D659,600 S \* 5/2012 Oya et al. .... D12/163  
D665,314 S \* 8/2012 Fukui et al. .... D12/163  
D665,315 S \* 8/2012 Matsuno et al. .... D12/163  
D665,710 S \* 8/2012 Matsuno et al. .... D12/163  
D680,034 S \* 4/2013 Sugiura ..... D12/163

\* cited by examiner

*Primary Examiner* — Melody Brown

(74) *Attorney, Agent, or Firm* — Plumsea Law Group, LLC

(57) **CLAIM**

The ornamental design for a grill for automobiles, as shown and described.

**DESCRIPTION**

FIG. 1 is a front view of a grill for automobiles;  
FIG. 2 is a plan view of the grill for automobiles;  
FIG. 3 is a left side view of the grill for automobiles; and,  
FIG. 4 is a front perspective view of the grill for automobiles as seen from the left upper side.

The broken lines are for illustrative purposes only and form no part of the claimed design.

**1 Claim, 2 Drawing Sheets**

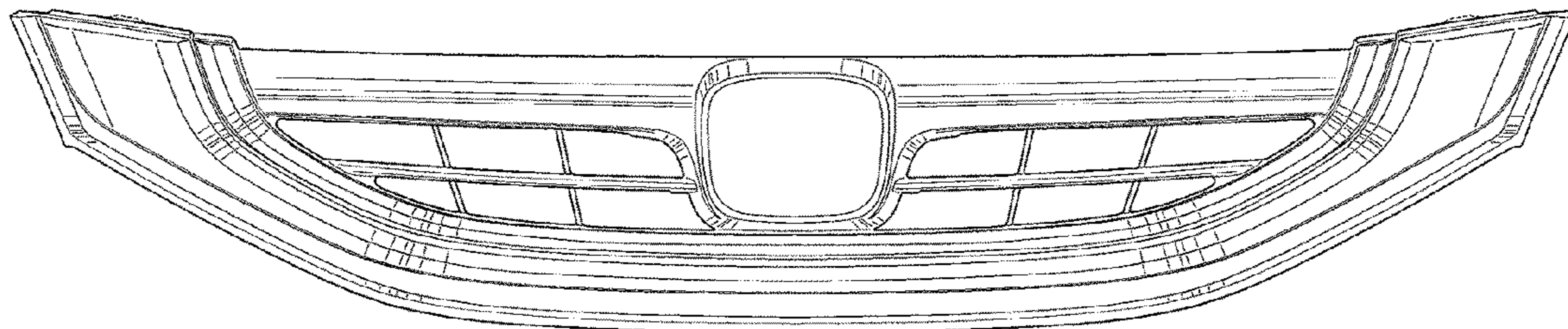


FIG.1

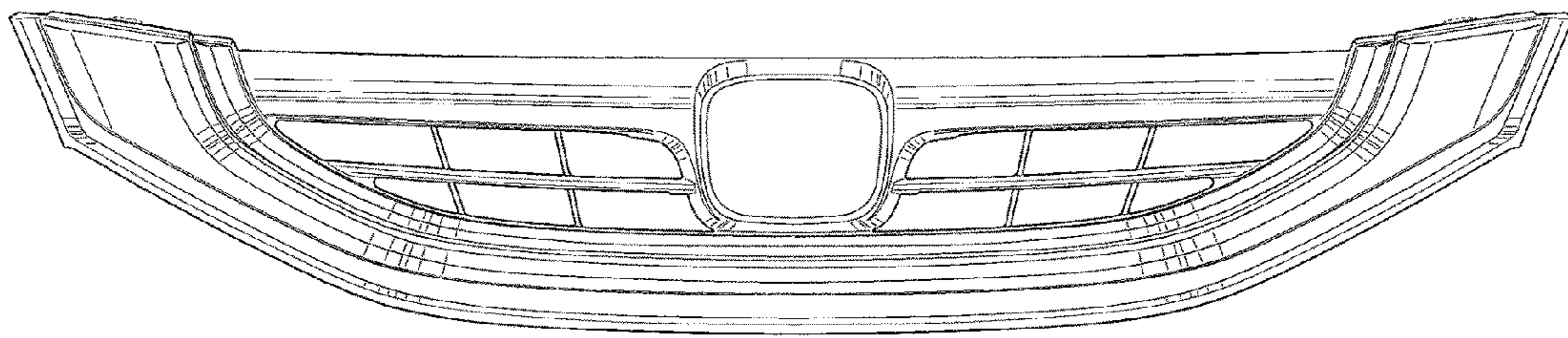


FIG.2

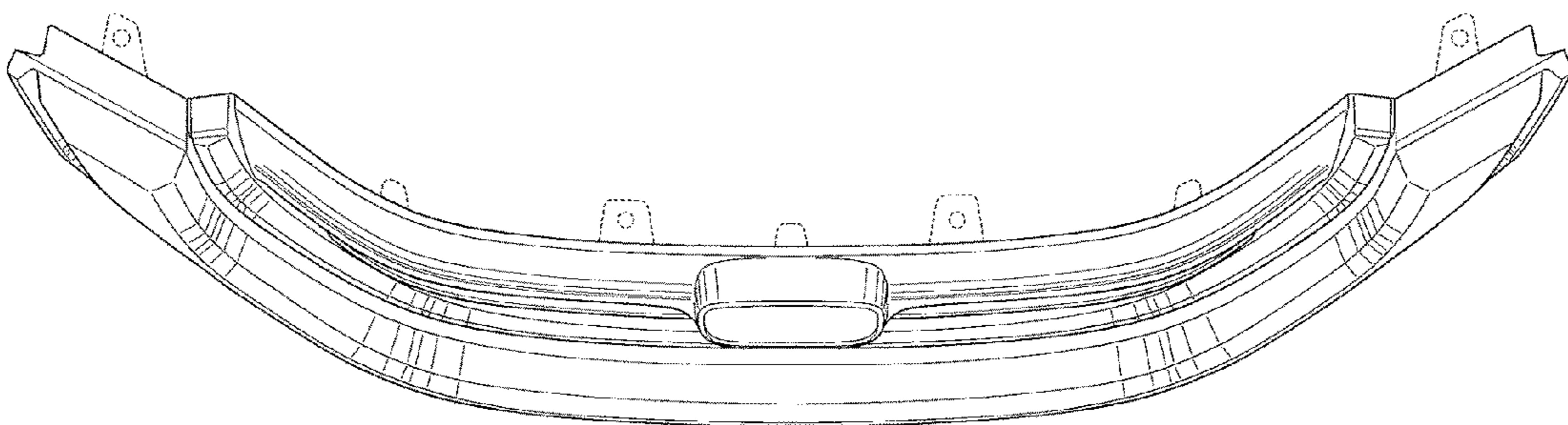


FIG.3

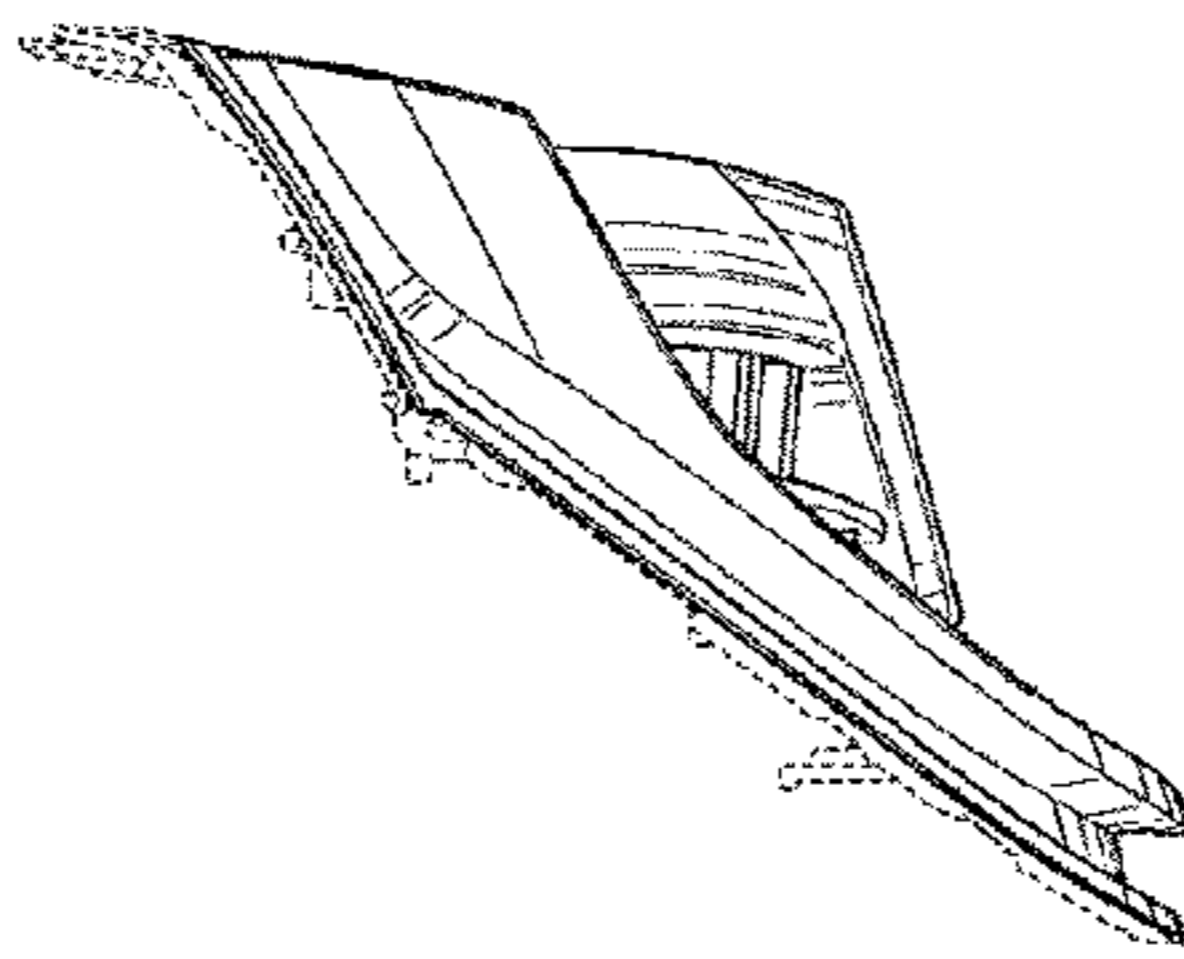


FIG.4

