



US00D705132S

(12) **United States Design Patent**
Ware et al.

(10) **Patent No.:** **US D705,132 S**
(45) **Date of Patent:** **** May 20, 2014**

- (54) **VEHICLE BODY EXTERIOR**
- (71) Applicants: **John H. Ware**, Sao Paulo (BR); **Steve S. Kim**, Seoul (KR); **Vicente D. Beire**, Sao Paulo (BR); **Eduardo H Mine**, B. Barcelona (BR); **Marcos Miwa**, Saude (BR)
- (72) Inventors: **John H. Ware**, Sao Paulo (BR); **Steve S. Kim**, Seoul (KR); **Vicente D. Beire**, Sao Paulo (BR); **Eduardo H Mine**, B. Barcelona (BR); **Marcos Miwa**, Saude (BR)
- (73) Assignee: **GM Global Technology Operations LLC**, Detroit, MI (US)
- (**) Term: **14 Years**
- (21) Appl. No.: **29/435,107**
- (22) Filed: **Oct. 19, 2012**
- (51) **LOC (10) Cl.** **12-08**
- (52) **U.S. Cl.**
USPC **D12/92**
- (58) **Field of Classification Search**
USPC D12/86, 90-92; D21/424, 433, 434;
296/181.1, 181.5
See application file for complete search history.

- D613,645 S 4/2010 Song et al.
- D615,458 S 5/2010 Thompson et al.
- D626,456 S * 11/2010 Miyata et al. D12/92
- D626,457 S * 11/2010 Lian et al. D12/92
- D628,939 S * 12/2010 Komuro D12/92
- D630,557 S * 1/2011 Eum D12/92
- D635,488 S 4/2011 Phipps
- D644,567 S 9/2011 Kozub
- D646,205 S * 10/2011 Bittner et al. D12/92
- D668,182 S * 10/2012 Barba Franco et al. D12/92
- D686,536 S * 7/2013 McCabe et al. D12/92

OTHER PUBLICATIONS

Design U.S. Appl. No. 29/392,615, filed May 24, 2011; First Named Inventor: Carlos M. Barba Franco; Title: Vehicle Body.
Design U.S. Appl. No. 29/406,032, filed Nov. 9, 2011; First Named Inventor: In Ho Song; Title: Vehicle Body.

(Continued)

Primary Examiner — Melody Brown
(74) *Attorney, Agent, or Firm* — Lionel D. Anderson; Reising Ethington P.C.

(57) **CLAIM**

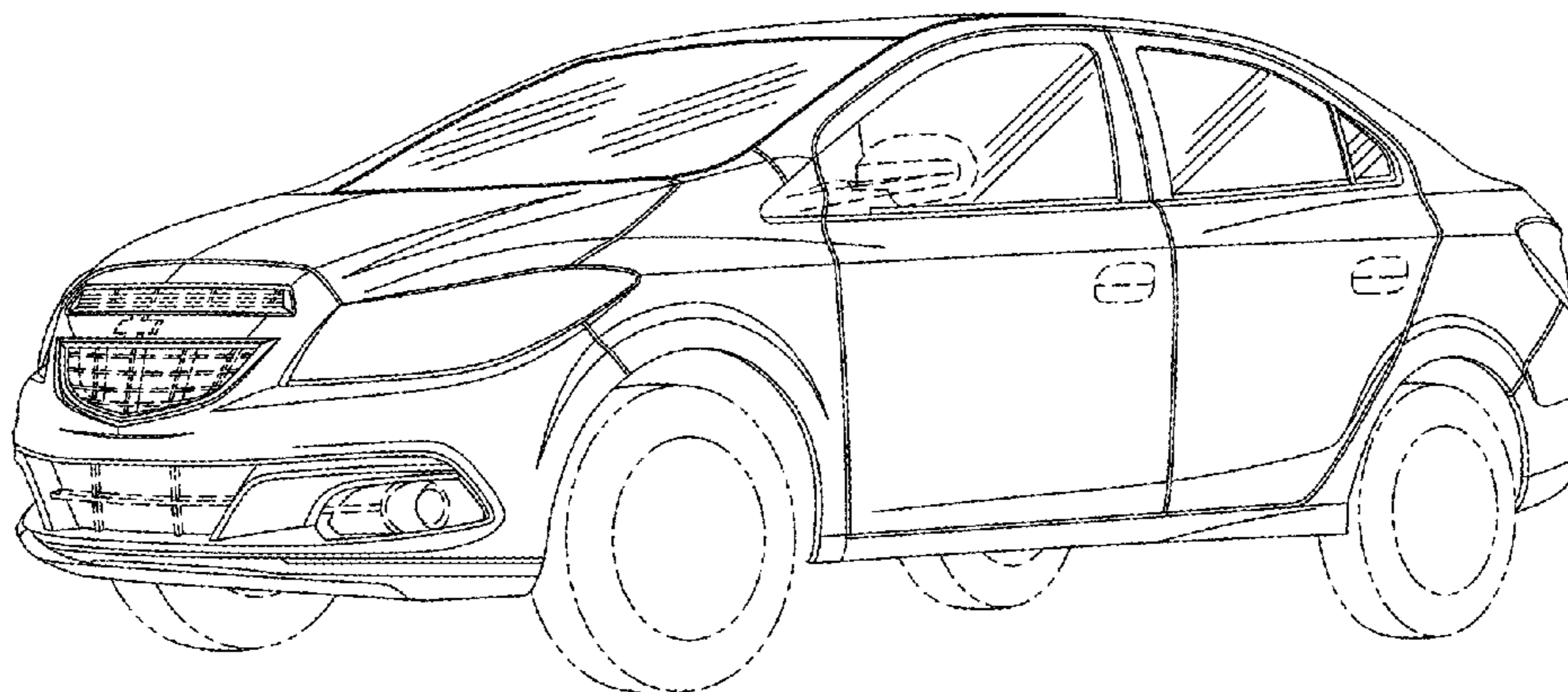
The ornamental design for a vehicle body exterior, as shown and described.

DESCRIPTION

FIG. 1 is a front view of a vehicle body exterior; FIG. 2 is a perspective view of the vehicle body exterior; FIG. 3 is a right side view of the vehicle body exterior; FIG. 4 is a top view of the vehicle body exterior; FIG. 5 is a perspective view of the vehicle body exterior; and, FIG. 6 is a rear view of the vehicle body exterior. In the drawings, the portions shown by broken lines form no part of the claim, and the left side view of the vehicle body exterior is omitted because the left side view is identical to the right side view.

1 Claim, 6 Drawing Sheets

- (56) **References Cited**
U.S. PATENT DOCUMENTS
- D592,105 S 5/2009 Dean et al.
- D597,447 S 8/2009 Folden
- D605,083 S 12/2009 Manoogian, II et al.
- D605,978 S 12/2009 Wolff et al.
- D608,690 S 1/2010 Folden et al.
- D608,691 S 1/2010 Zak, Jr. et al.
- D609,608 S 2/2010 Boniface et al.
- D611,387 S 3/2010 Thompson et al.



(56)

References Cited

OTHER PUBLICATIONS

Design U.S. Appl. No. 29/406,041, filed Nov. 9, 2011; First Named Inventor: Morio Ikeda; Title: Vehicle Body.
Design U.S. Appl. No. 29/407,580, filed Nov. 30, 2011; First Named Inventor: Robert J. Munson; Title: Vehicle Body.

Design U.S. Appl. No. 29/414,260, filed Feb. 27, 2012; First Named Inventor: Steven M. McCabe; Title: Vehicle Body.

Design U.S. Appl. No. 29/416,870, filed Mar. 28, 2012; First Named Inventor: Joshua L. Thurber; Title: Vehicle Body.

Design U.S. Appl. No. 29/428,494, filed Jul. 31, 2012; First Named Inventor: Morio Ikeda; Title: Vehicle Body Exterior.

* cited by examiner

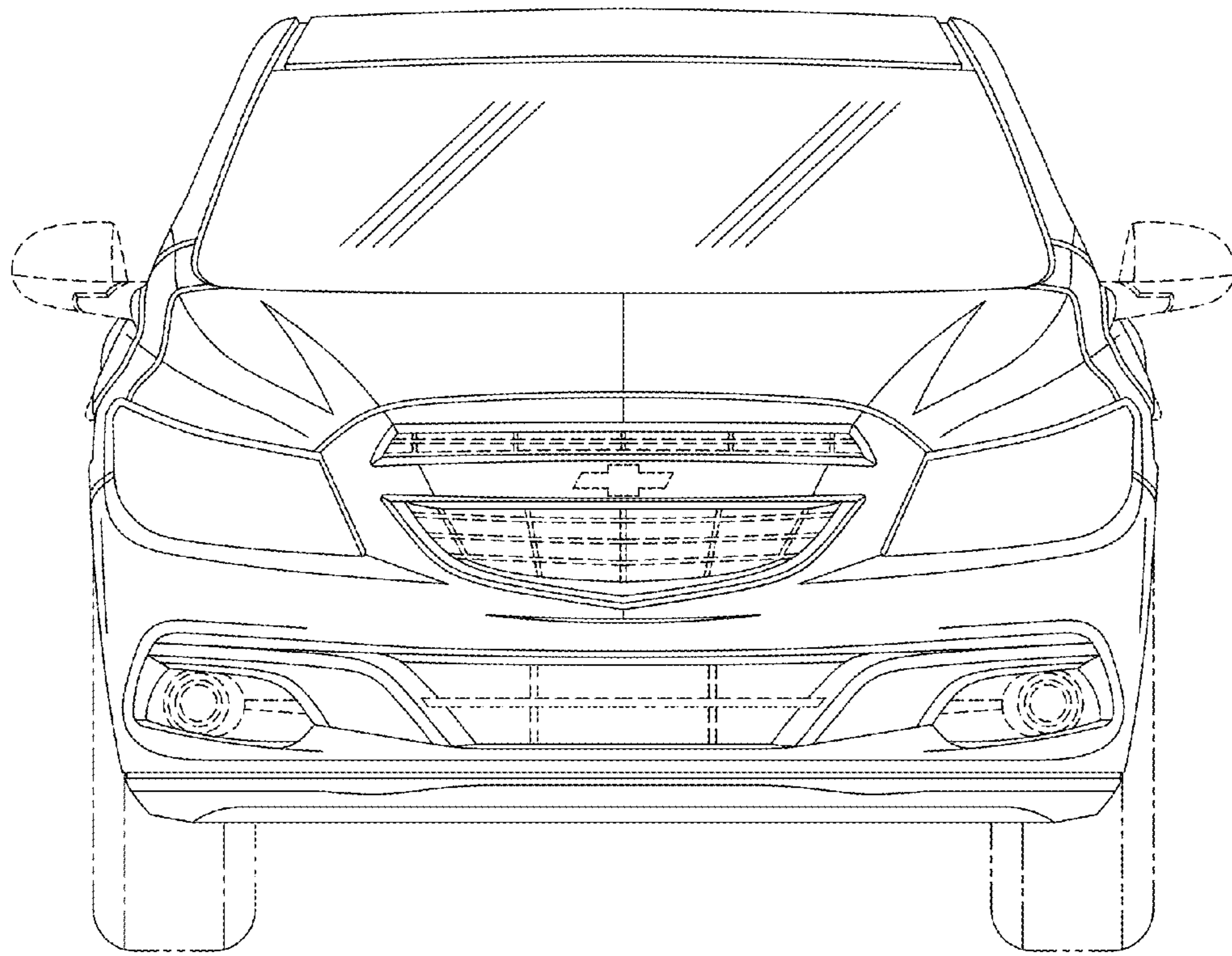


Fig-1

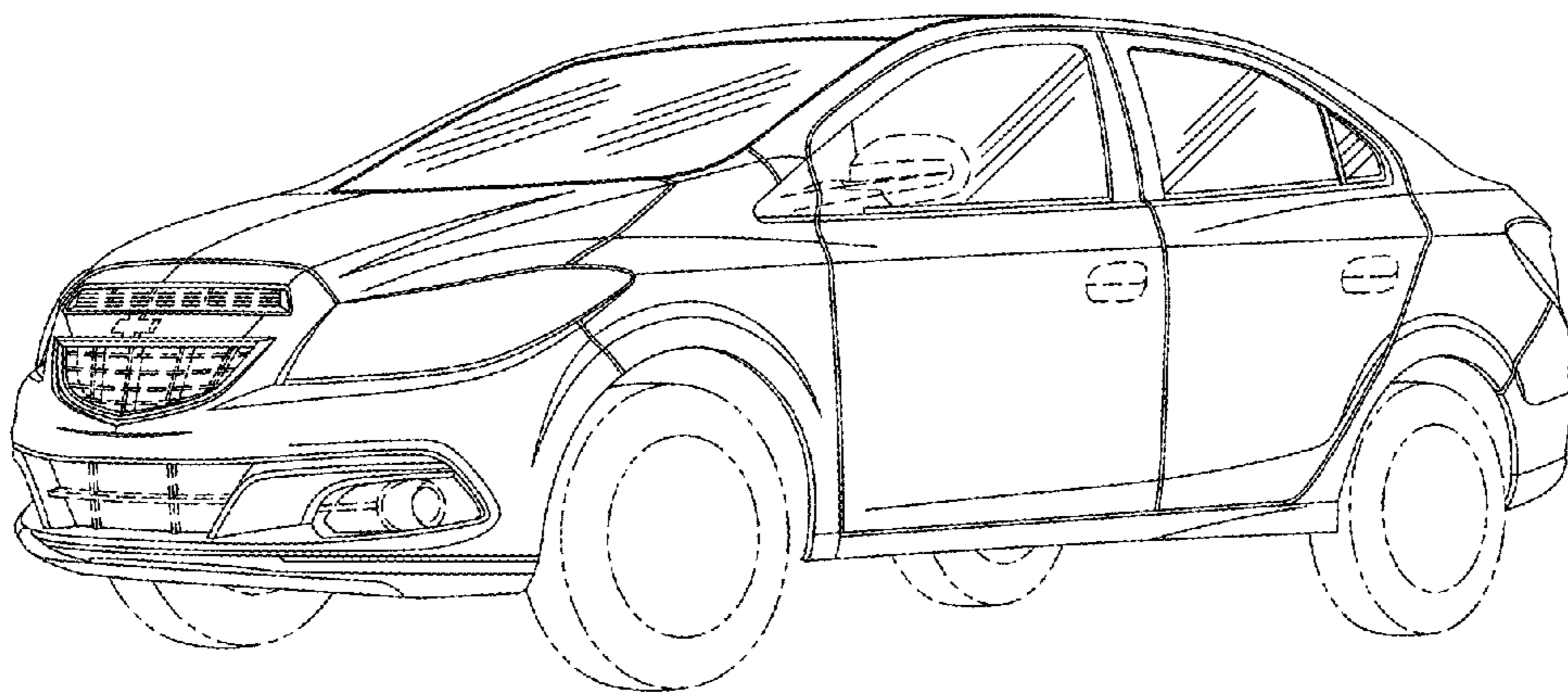


Fig-2

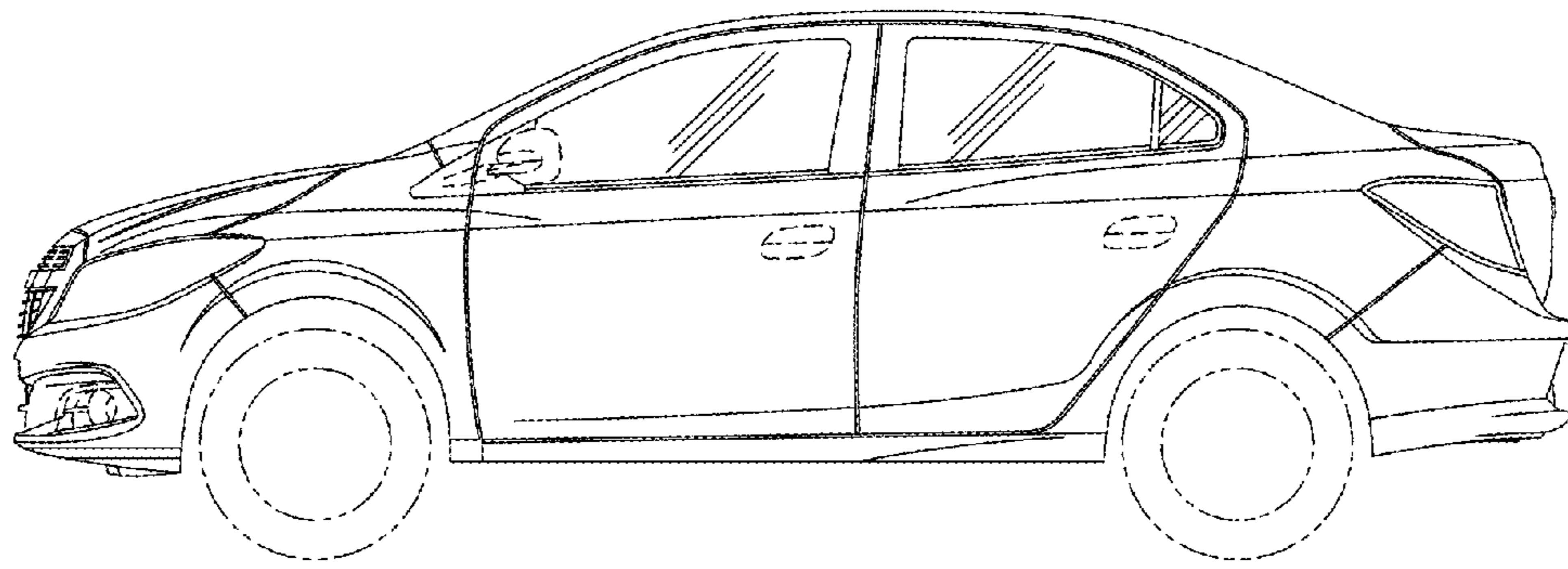


Fig-3

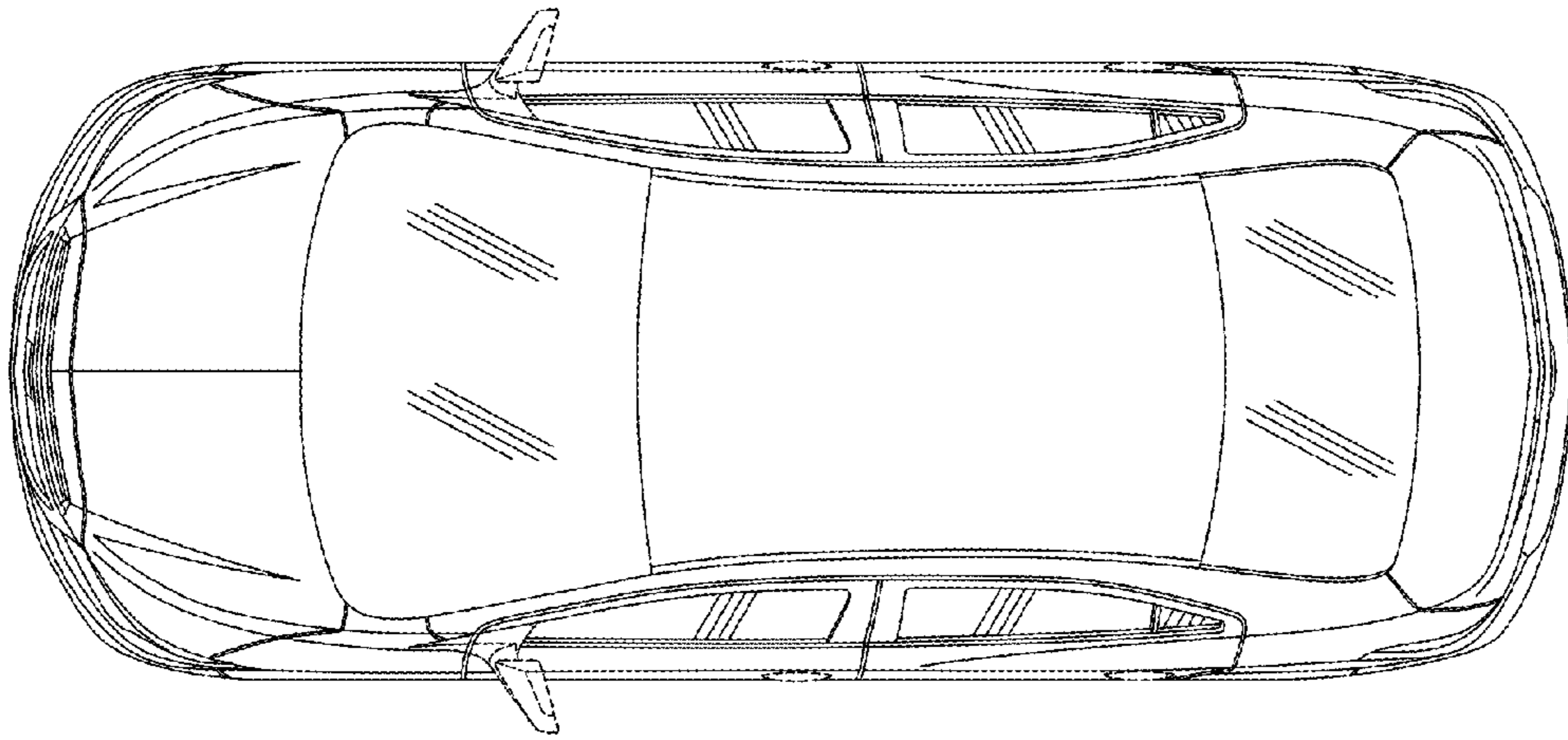


Fig-4

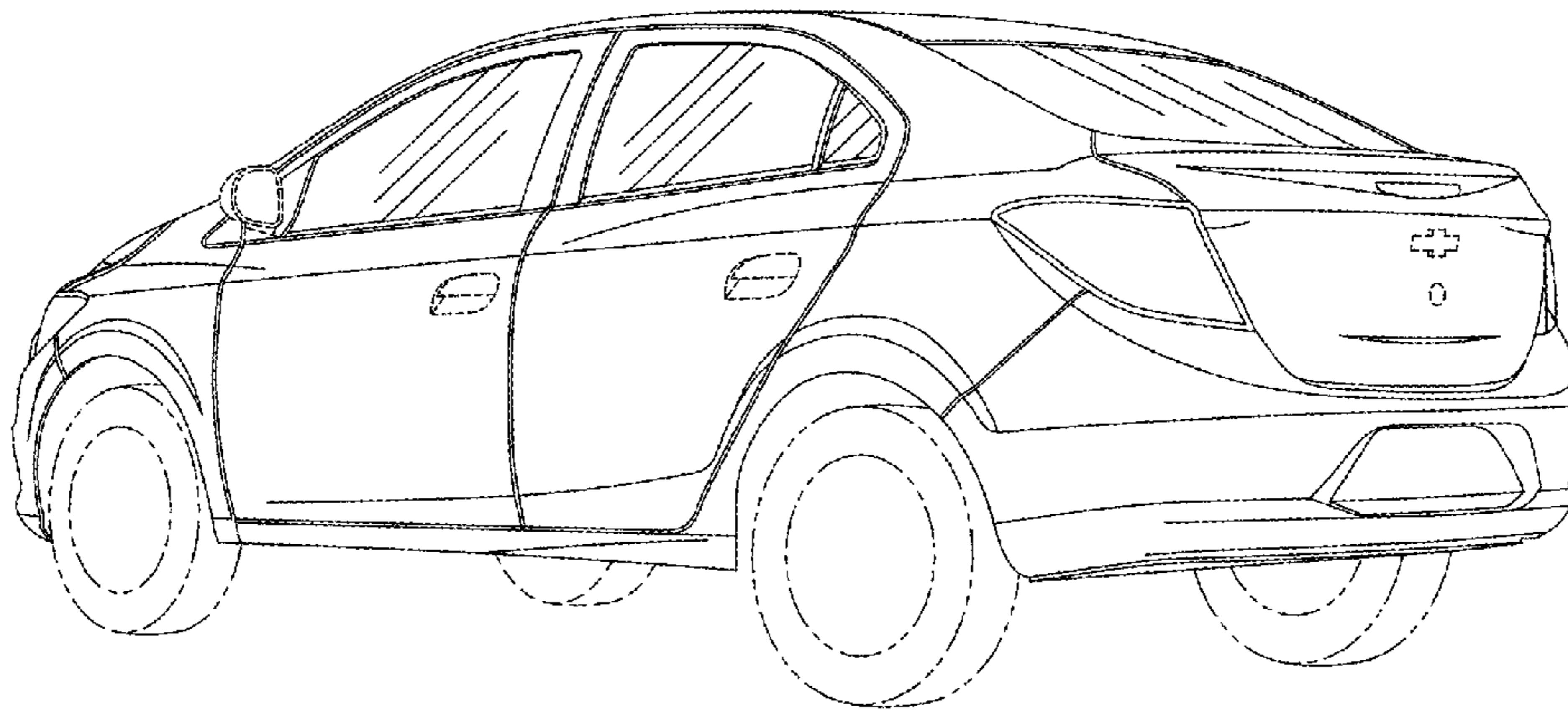


Fig-5

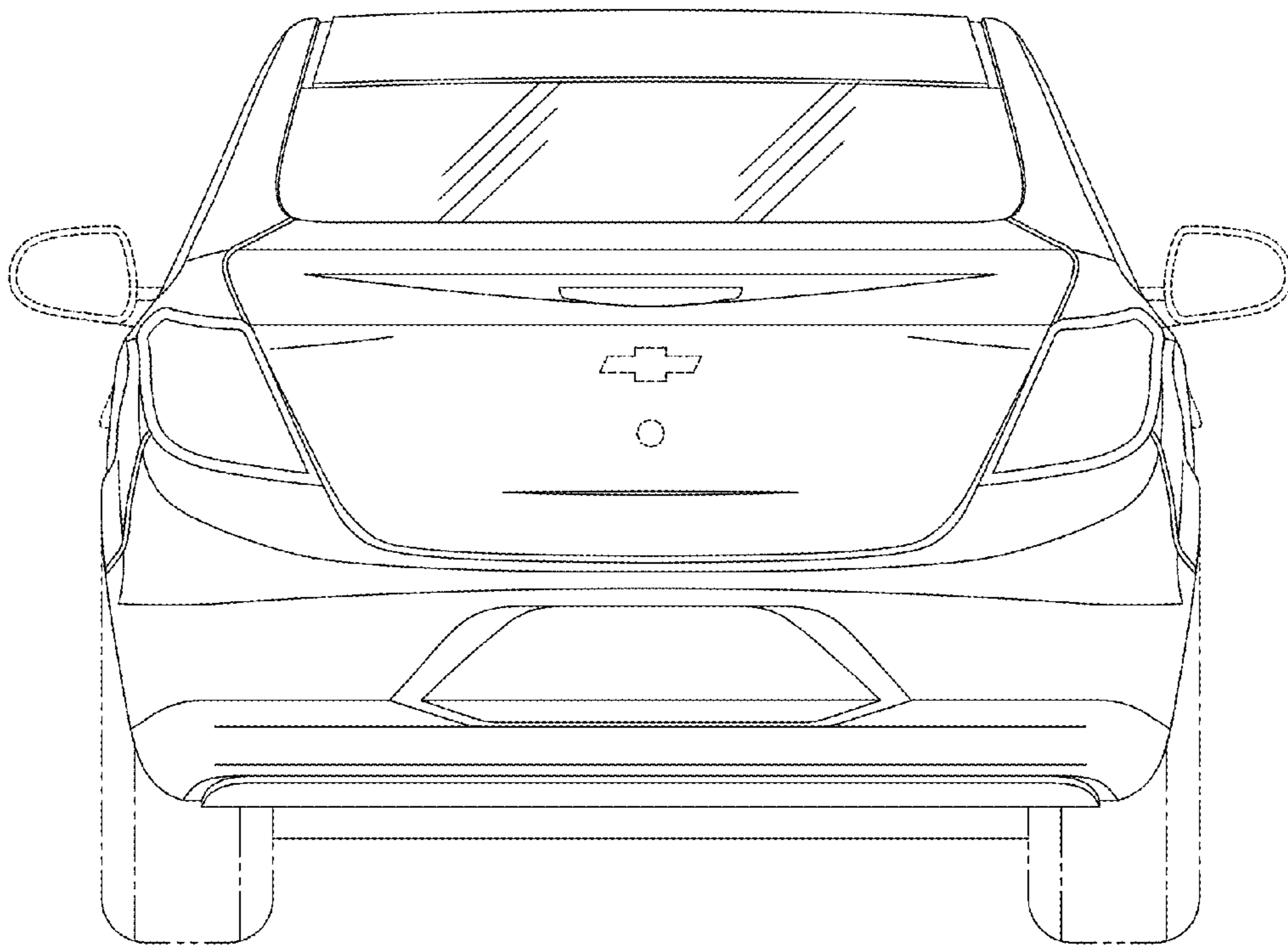


Fig-6