



US00D705130S

(12) **United States Design Patent**
Chang

(10) **Patent No.:** **US D705,130 S**
(45) **Date of Patent:** **** May 20, 2014**

(54) **AUTOMOBILE AND/OR TOY REPLICA THEREOF**

(71) Applicant: **Nissan Motor Co., Ltd.**, Kanagawa (JP)

(72) Inventor: **Ching Pin Jackie Chang**, San Diego, CA (US)

(73) Assignee: **Nissan Motor Co., Ltd.**, Yokohama (JP)

(**) Term: **14 Years**

(21) Appl. No.: **29/471,891**

(22) Filed: **Nov. 6, 2013**

Related U.S. Application Data

(62) Division of application No. 29/417,695, filed on Apr. 6, 2012.

(51) **LOC (10) Cl.** **12-08**

(52) **U.S. Cl.**
USPC **D12/91**

(58) **Field of Classification Search**
USPC D12/86, 90, 91, 92, 98; 296/37.6, 296/181.1, 181.5, 183.1; D21/424, 433, D21/434

See application file for complete search history.

(56) **References Cited**

U.S. PATENT DOCUMENTS

D515,460 S * 2/2006 Oosawa et al. D12/91
D525,911 S * 8/2006 Taguchi et al. D12/91

(Continued)

FOREIGN PATENT DOCUMENTS

JP D1330474 S 5/2008
JP D1332839 S 6/2008

(Continued)

OTHER PUBLICATIONS

Berkowitz, Justin. New York City Picks Nissan NV200 Small Van as Future Yellow Cab. Website [online]. blog. caranddriver.com, May 3, 2011 [retrieved on Jul. 22, 2013]. Retrieved from the Internet: <URL: http://blog.caranddriver.com/new-york-city-picks-nissan-nv200-small-van-as-future-yellow-cab/>.

(Continued)

Primary Examiner — Philip S Hyder

Assistant Examiner — Darlington Ly

(74) *Attorney, Agent, or Firm* — Global IP Counselors, LLP

(57) **CLAIM**

The ornamental design for an automobile and/or a toy replica thereof, as shown and described.

DESCRIPTION

The patent or application file contains at least one drawing executed in color. Copies of this patent or patent application publication with color drawing(s) will be provided by the Office upon request and payment of the necessary fee.

FIG. 1 is a front and left side perspective view of an automobile and/or a toy replica thereof;

FIG. 2 is a rear and right side perspective view thereof;

FIG. 3 is a front elevation view thereof;

FIG. 4 is a rear elevation view thereof;

FIG. 5 is a top plan view thereof;

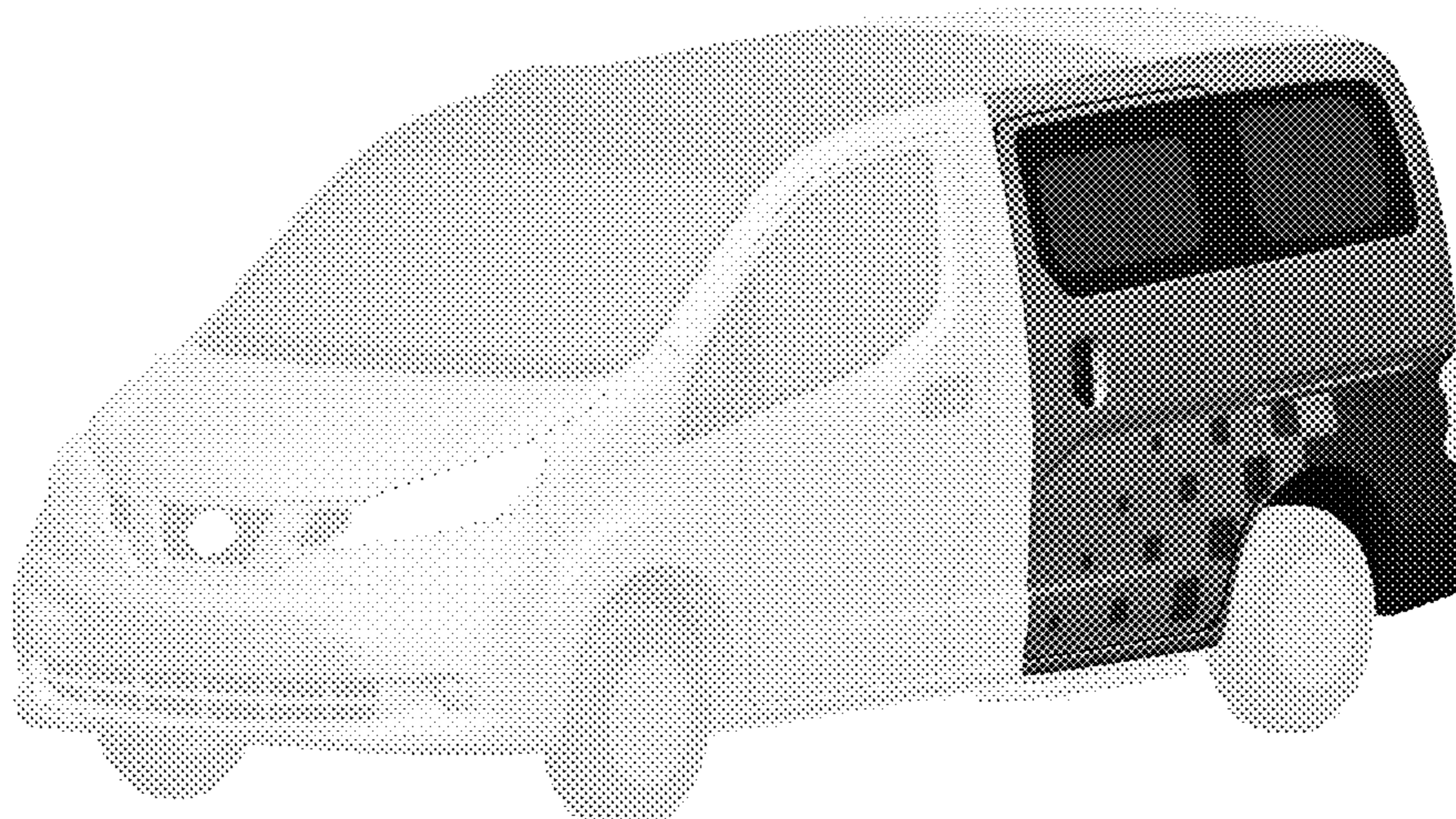
FIG. 6 is a left side elevation view thereof; and,

FIG. 7 is a right side elevation view thereof.

The design for an automobile and/or a toy replica thereof is yellow in color except for the dark-colored patterns on the right side, left side, and rear of the article to which is dark grey in color.

The claimed design is indicated by the relatively dark portions in the drawings, while the relatively light portions are environmental and form no part of the claimed design. The broken line showing of the automobile and/or the toy replica thereof is for purpose of illustrating environmental structure and forms no part of the claimed design.

1 Claim, 6 Drawing Sheets
(6 of 6 Drawing Sheet(s) Filed in Color)



(56)

References Cited

U.S. PATENT DOCUMENTS

D531,934 S * 11/2006 Nagura et al. D12/90
 D550,123 S * 9/2007 Sasaki D12/91
 D563,273 S * 3/2008 Zhang et al. D12/84
 D578,437 S * 10/2008 Nishihata et al. D12/91
 D648,247 S * 11/2011 Nemoto D12/91
 D652,352 S * 1/2012 Kim D12/91
 D666,527 S * 9/2012 Li et al. D12/91
 D666,752 S 9/2012 Watanabe
 D666,944 S * 9/2012 Morikawa et al. D12/91
 D670,214 S 11/2012 Watanabe
 D670,216 S 11/2012 Watanabe
 D671,455 S * 11/2012 Watanabe D12/91
 D679,220 S * 4/2013 Aikawa et al. D12/91
 D683,674 S 6/2013 Watanabe

FOREIGN PATENT DOCUMENTS

JP D1333899 S 6/2008
 JP D1333900 S 6/2008

JP D1333901 S 6/2008
 JP D1334567 S 6/2008
 JP D1334926 S 7/2008
 JP D1334927 S 7/2008
 JP D1334928 S 7/2008
 JP D1334929 S 7/2008
 JP D1334930 S 7/2008

OTHER PUBLICATIONS

Ross, Jefferey N. How Nissan found the right yellow for NYC's Taxi of Tomorrow. Website [online] www.autoblog.com, Sep. 26, 2012 [retrieved on Jul. 22, 2013]. Retrieved from the Internet: <URL: <http://www.autoblog.com/2012/09/26/how-nissan-found-the-right-yellow-for-nycs-taxi-of-tomorrow/>>.

The NYC Taxi of Tomorrow. Website [online]. www.nissanusa.com, Jun. 12, 2012 [retrieved on Jul. 22, 2013]. Retrieved from the Internet: <URL: <http://www.nissanusa.com/innovations/taxi-of-tomorrow.article.html>>.

* cited by examiner



FIG. 1

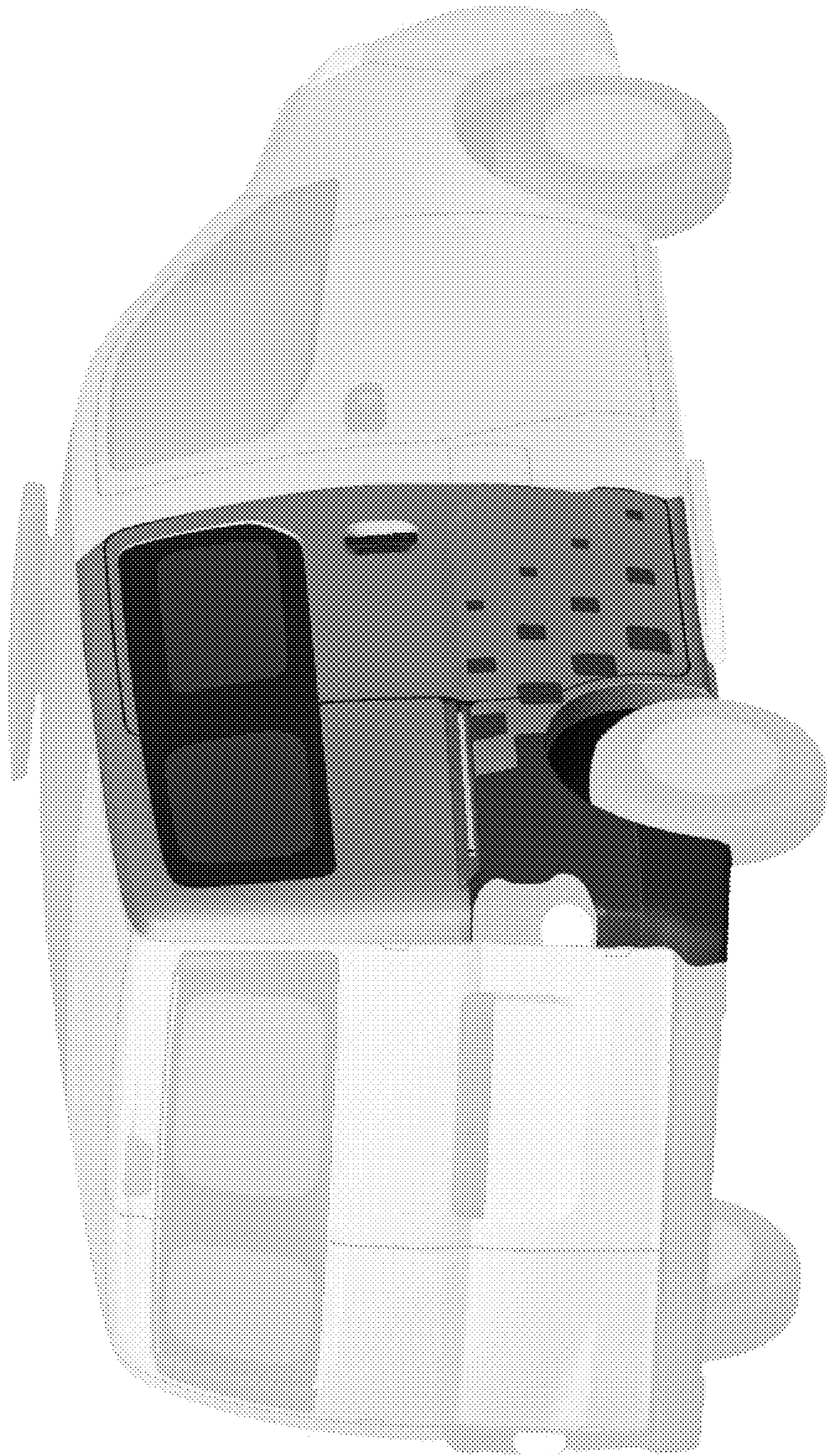


FIG. 2

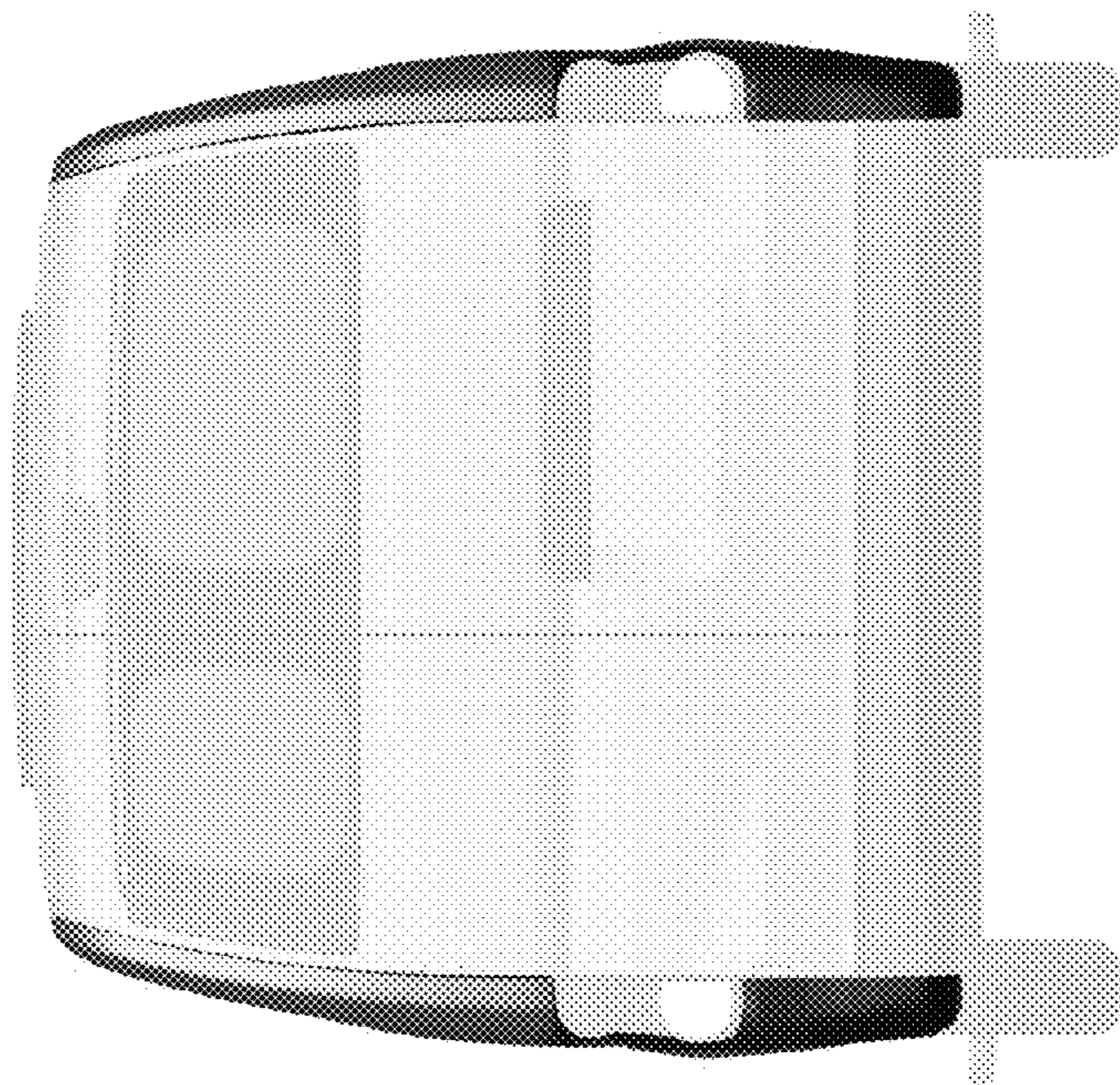


FIG. 4

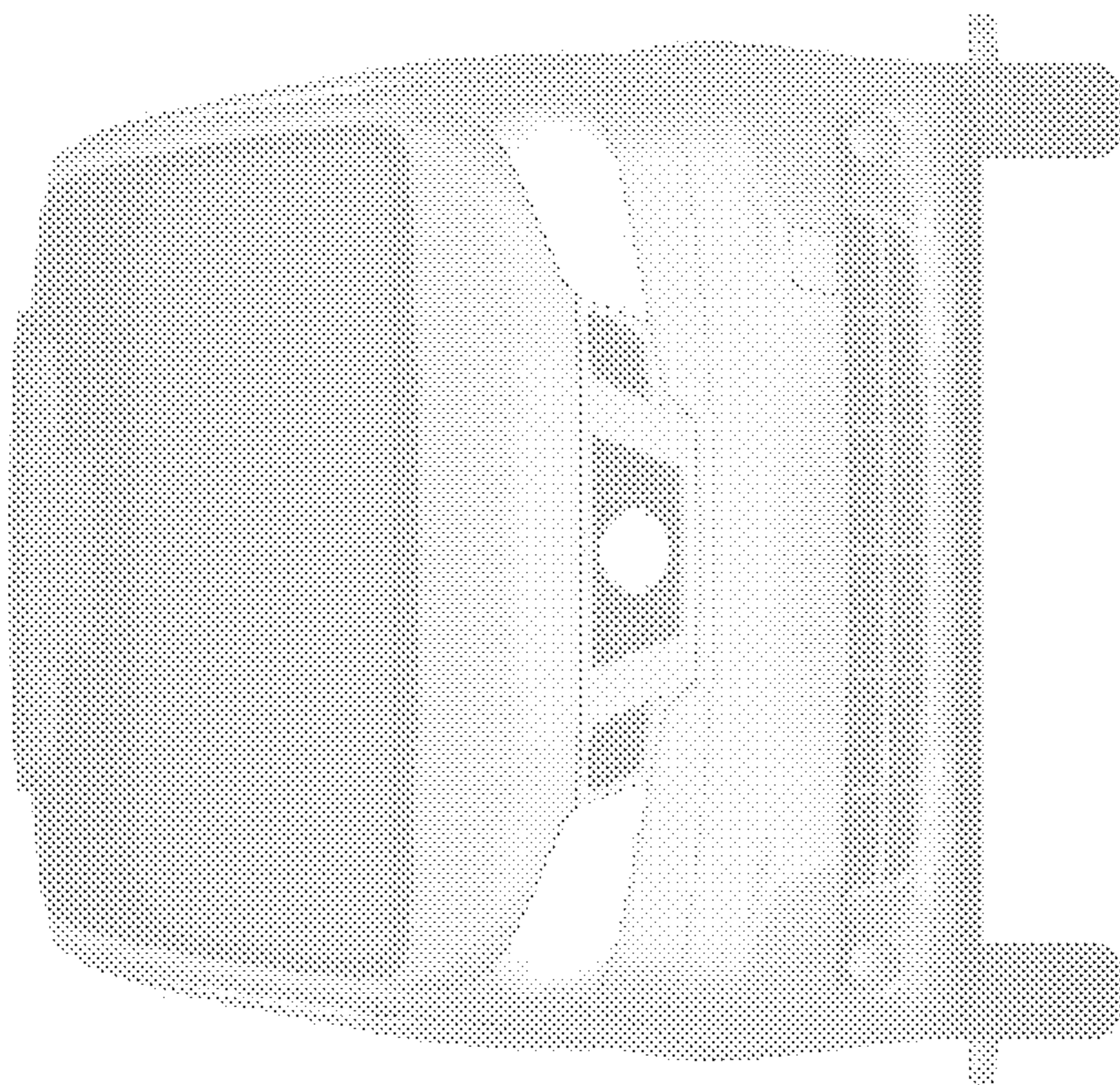


FIG. 3

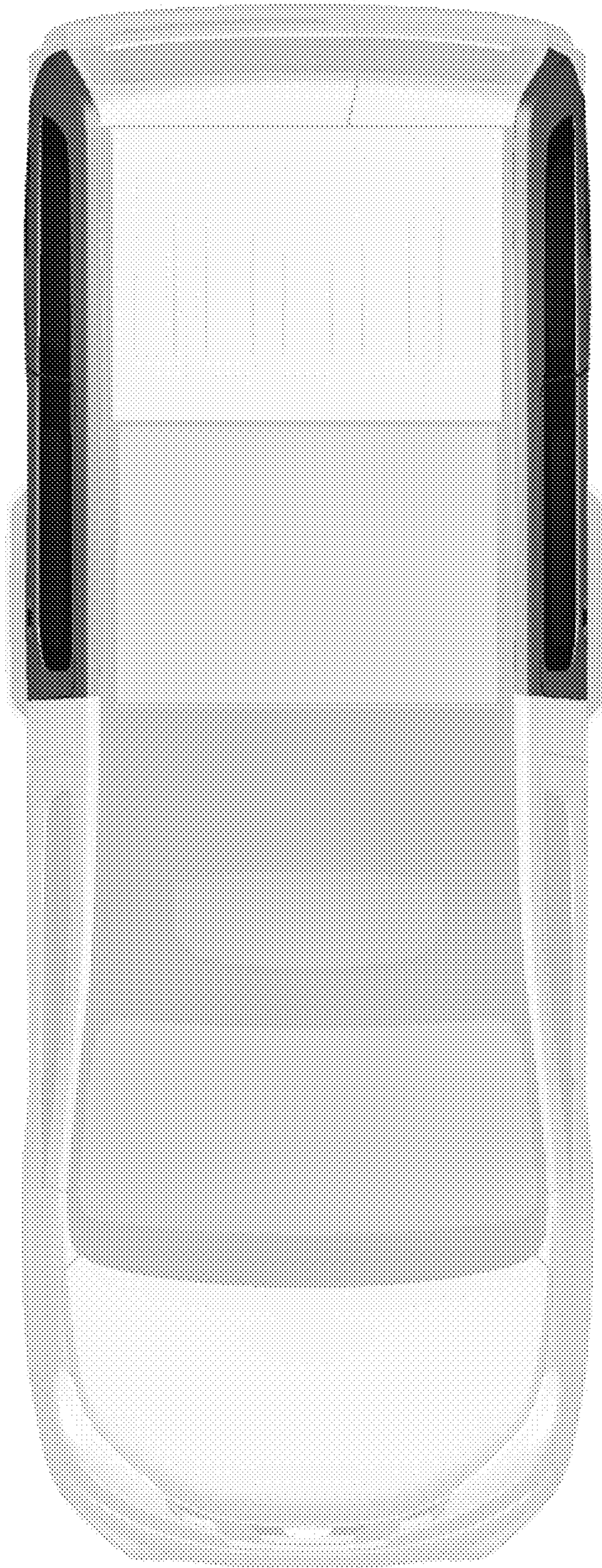


FIG. 5



FIG. 6

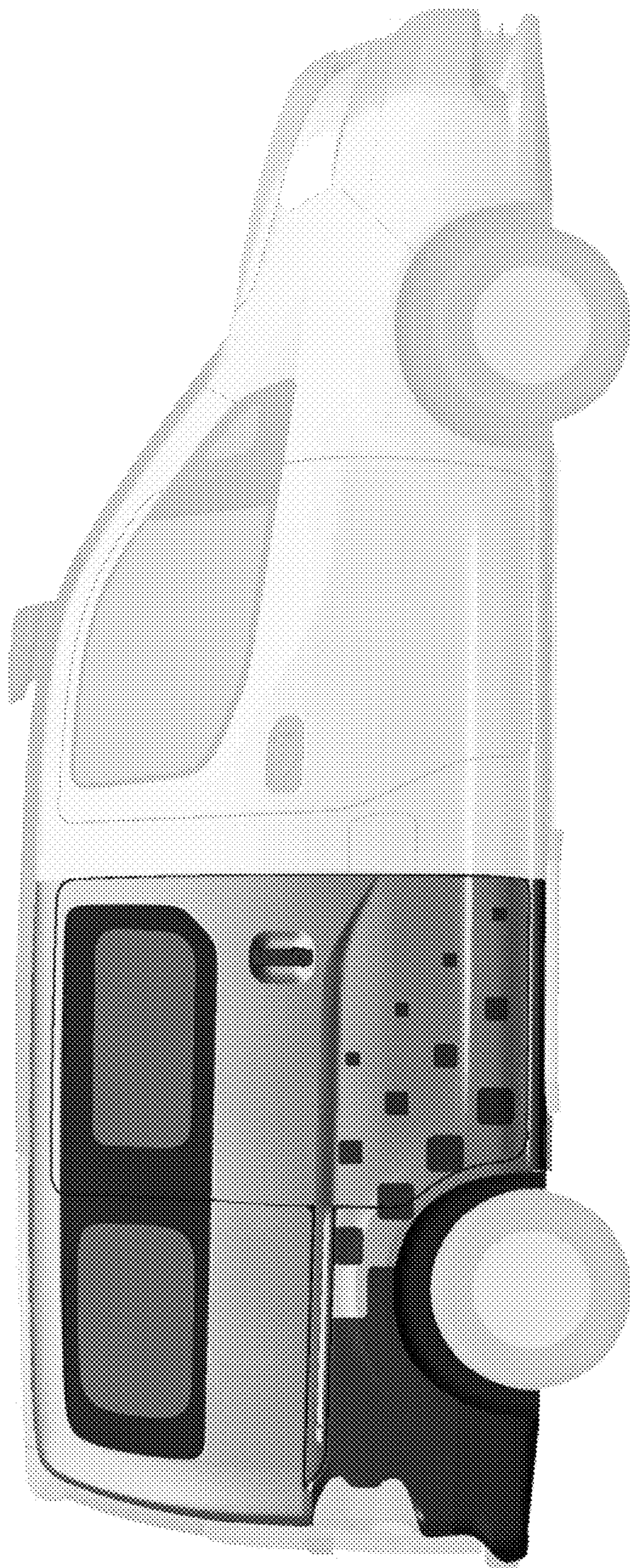


FIG. 7