



US00D705129S

(12) **United States Design Patent**
Badstuebner et al.

(10) **Patent No.:** **US D705,129 S**
(45) **Date of Patent:** **** May 20, 2014**

(54) **MOTOR VEHICLE, TOY REPLICA AND/OR OTHER REPLICAS**

(75) Inventors: **Achim Badstuebner**, Munich (DE);
Karl Witowski, Etting (DE)

(73) Assignee: **Audi AG**, Ingolstadt (DE)

(**) Term: **14 Years**

(21) Appl. No.: **29/415,414**

(22) Filed: **Mar. 9, 2012**

(30) **Foreign Application Priority Data**

Sep. 9, 2011 (EM) 001914771-0002

(51) **LOC (10) CL.** **12-08**

(52) **U.S. CL.**
USPC **D12/91**

(58) **Field of Classification Search**
USPC D12/86, 88, 90, 91, 92; D21/424, 433,
D21/434; 296/181.1, 181.5
See application file for complete search history.

(56) **References Cited**

U.S. PATENT DOCUMENTS

D301,325 S *	5/1989	Unger	D12/92
D305,998 S *	2/1990	Lagaay	D12/92
D350,086 S *	8/1994	Kong et al.	D12/92
D351,573 S *	10/1994	Kong et al.	D12/92
D353,351 S *	12/1994	Heffernan et al.	D12/92
D368,448 S *	4/1996	Sacco et al.	D12/92
D380,178 S *	6/1997	Sacco et al.	D12/92
D387,309 S *	12/1997	Syring	D12/92
D431,796 S *	10/2000	Lagaay et al.	D12/92
D456,313 S *	4/2002	Walling et al.	D12/92
D543,135 S *	5/2007	Trostle et al.	D12/92
D641,665 S *	7/2011	Larson et al.	D12/92
D659,593 S *	5/2012	Robinson	D12/92

FOREIGN PATENT DOCUMENTS

EM	000406459-0001	11/2005
EM	000569819-0001	10/2006
EM	001086300-0001	2/2009
RU	74761 S	5/2010
RU	78114 S	4/2011
WO	DM076386	8/2011

OTHER PUBLICATIONS

Opinion issued by Russian Patent Office (with English translation) mailed May 22, 2012 in corresponding Russian application No. 2012500669, filed Mar. 6, 2012.

* cited by examiner

Primary Examiner — Philip S Hyder

Assistant Examiner — Darlington Ly

(74) *Attorney, Agent, or Firm* — Abelman, Frayne & Schwab

(57) **CLAIM**

The ornamental design for motor vehicle, toy replica and/or other replicas, as shown and described.

DESCRIPTION

FIG. 1 is a front and left side perspective view of the motor vehicle, toy replica and/or other replicas, showing our new design;

FIG. 2 is a left side elevational view thereof;

FIG. 3 is a right side elevational view thereof;

FIG. 4 is a top plan view thereof;

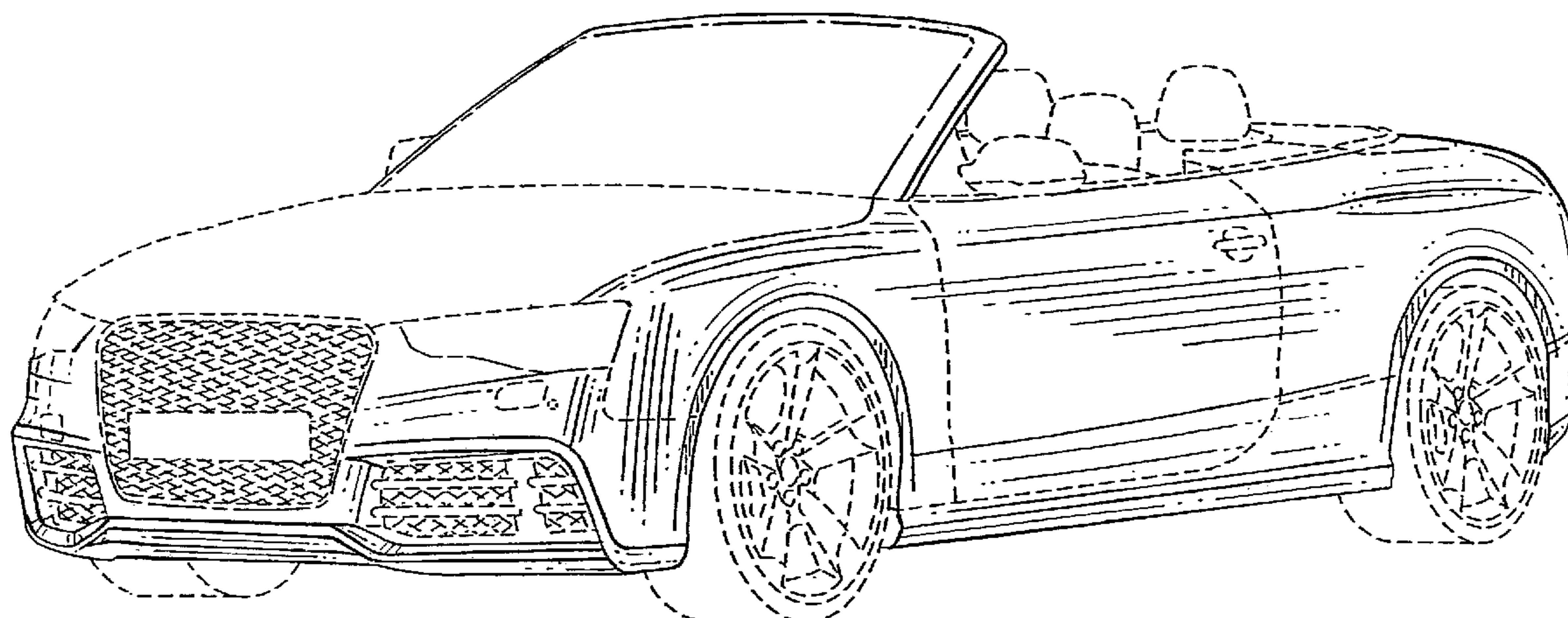
FIG. 5 is a rear elevational view thereof;

FIG. 6 is a front elevational view thereof; and,

FIG. 7 is a rear and right side perspective view thereof.

The uniform broken lines shown in the drawings illustrate portions of the motor vehicle, toy replica and/or other replicas that form no part of the claimed design. The dash-dot broken lines illustrate boundaries between claimed and unclaimed surfaces and form no part of the claimed design.

1 Claim, 7 Drawing Sheets



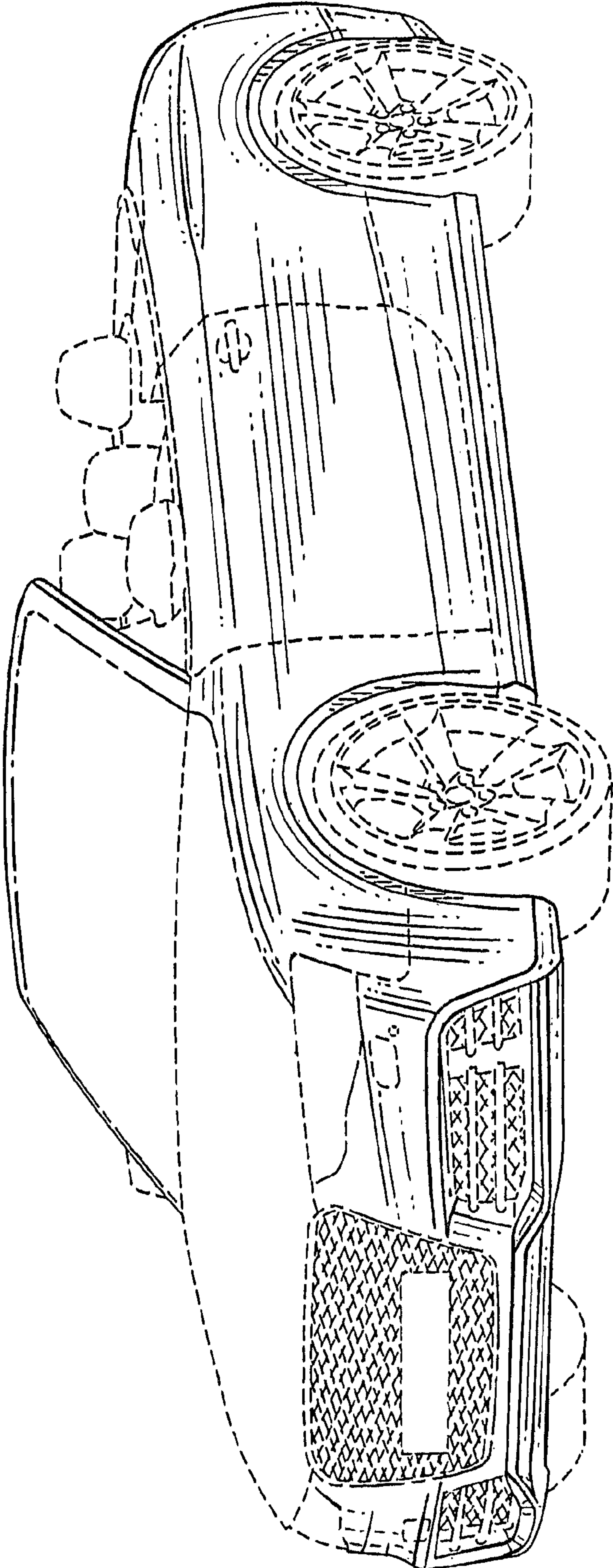


FIG. 1

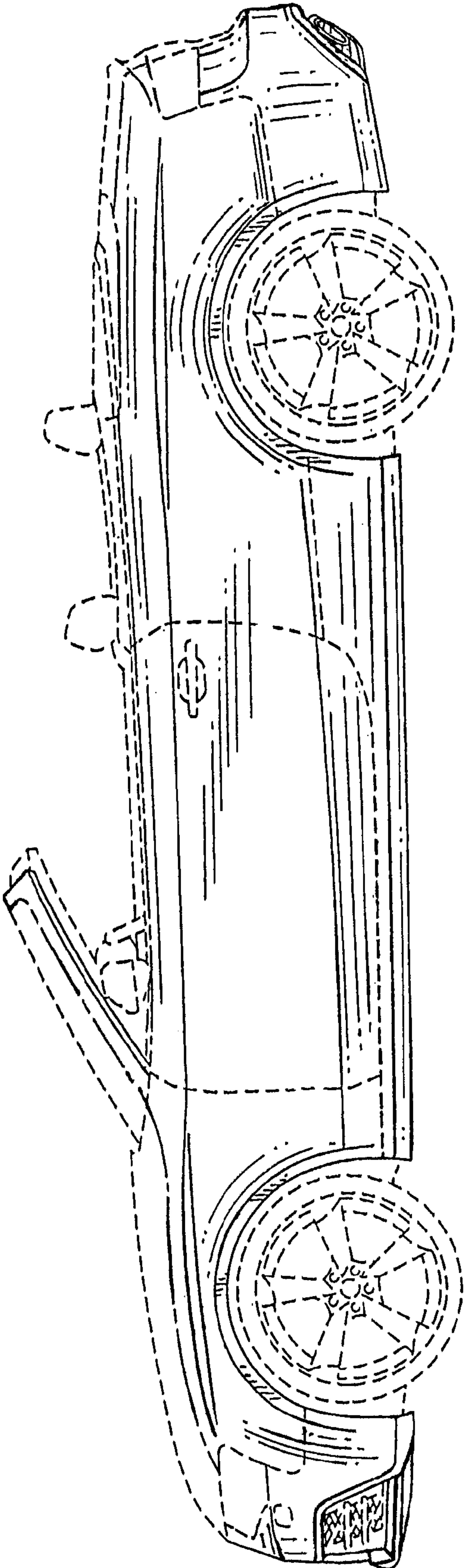


FIG. 2

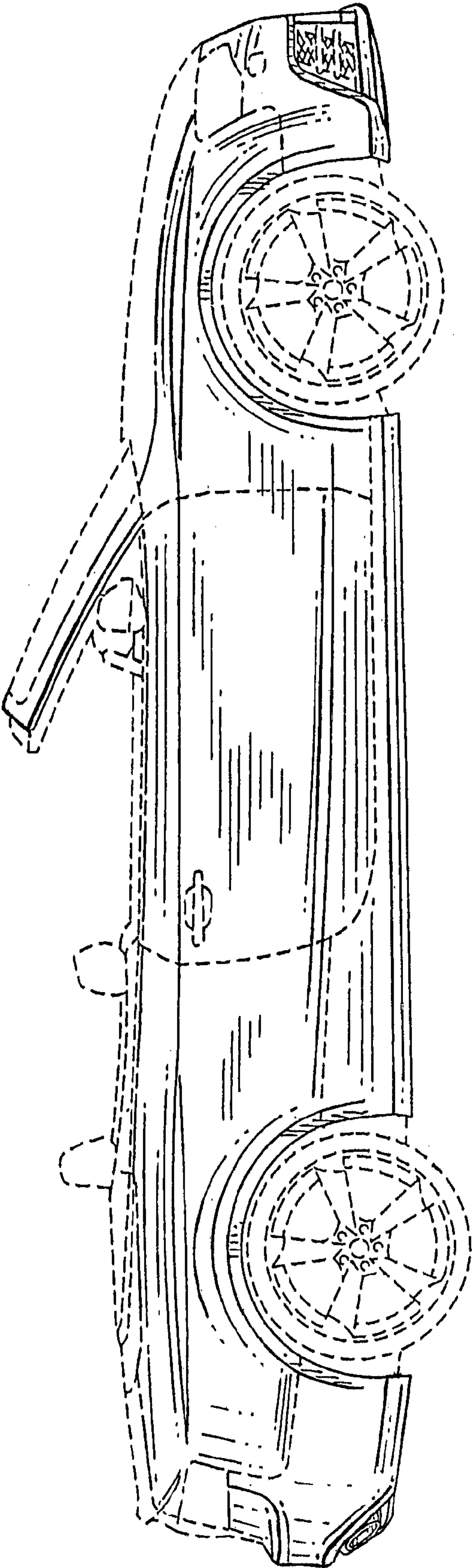


FIG. 3

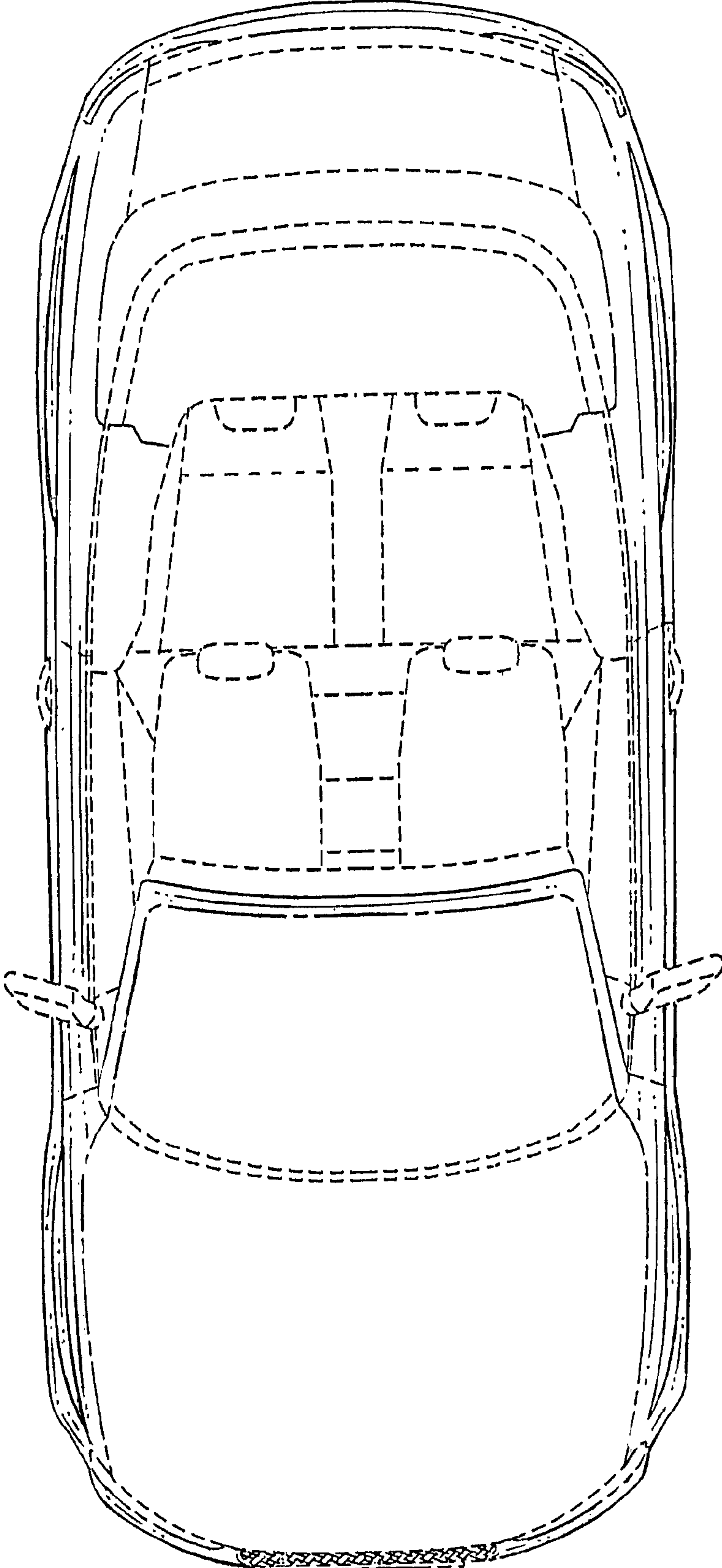


FIG. 4

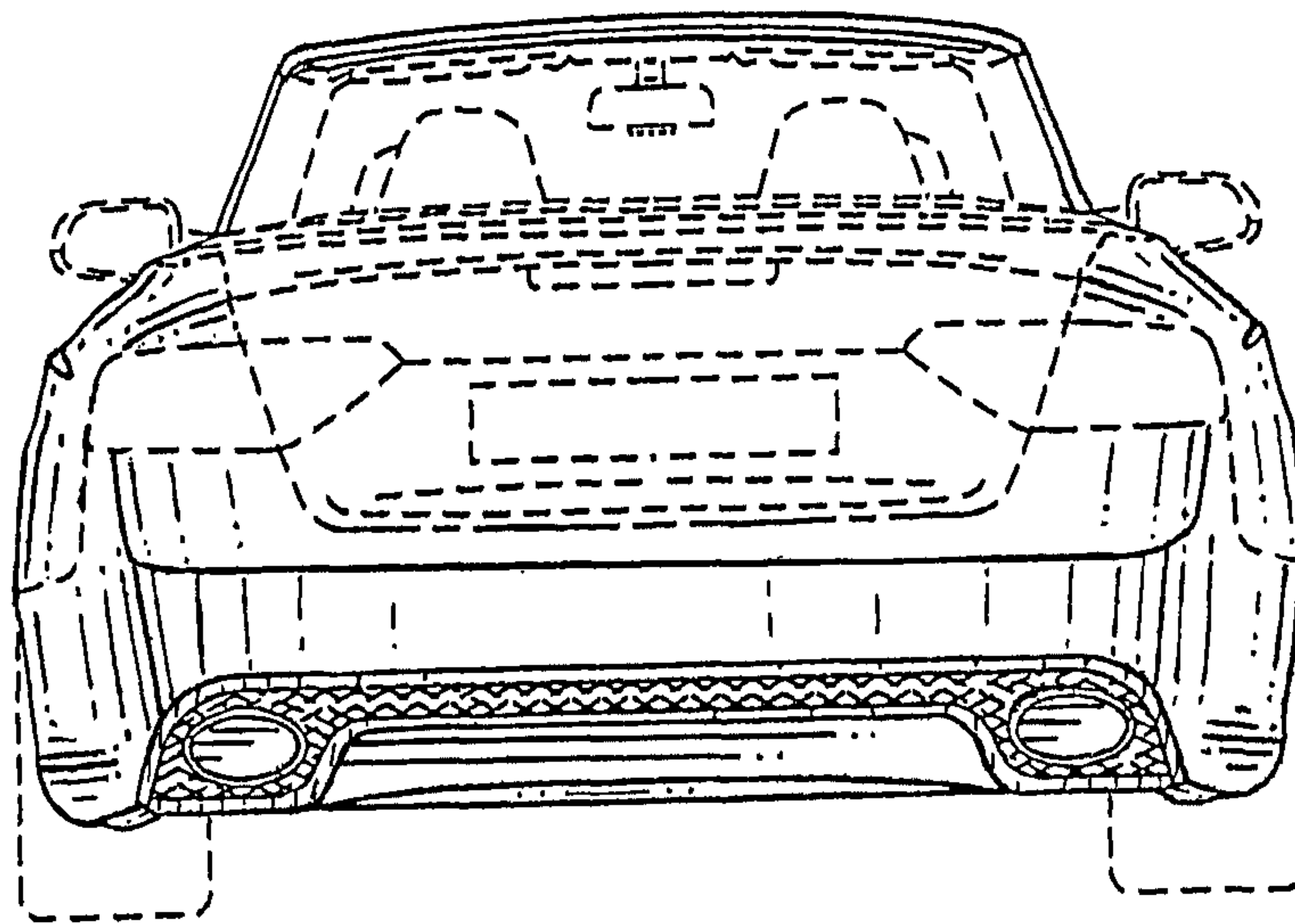


FIG. 5

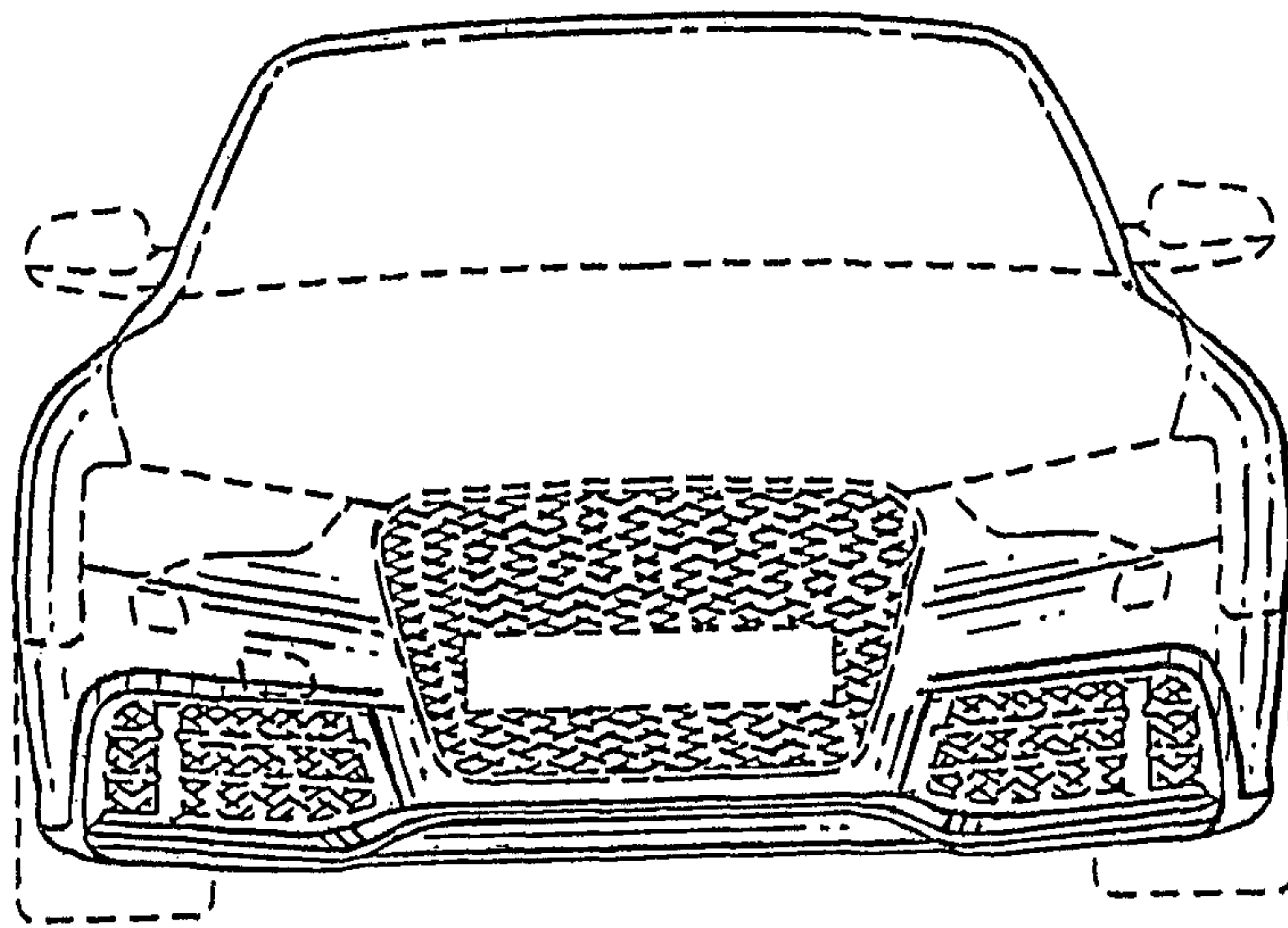


FIG. 6

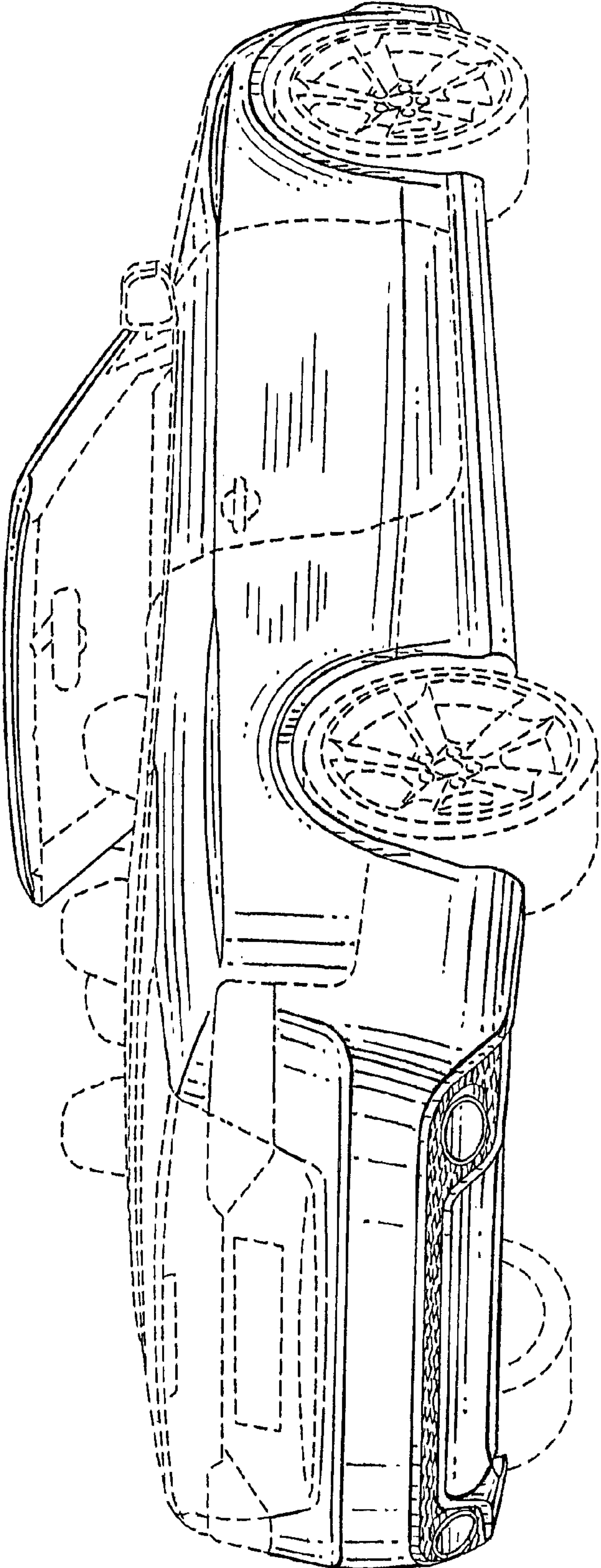


FIG. 7