



US00D705127S

(12) **United States Design Patent**  
**Patterson et al.**

(10) **Patent No.:** **US D705,127 S**  
(45) **Date of Patent:** **\*\* May 20, 2014**

- (54) **GO-KART**
- (75) Inventors: **Wayne Patterson**, Oakland, OR (US);  
**Johnny Liao**, Irvine, CA (US)
- (73) Assignee: **APT IP Holdings LLC**, Kansas City,  
MO (US)
- (\*\*) Term: **14 Years**
- (21) Appl. No.: **29/419,705**
- (22) Filed: **May 1, 2012**
- (51) **LOC (10) Cl.** ..... **12-08**
- (52) **U.S. Cl.**  
USPC ..... **D12/87**
- (58) **Field of Classification Search**  
USPC ..... D12/1, 14, 86, 87, 88, 90, 91, 92;  
D21/424, 425, 433; 180/208, 224, 291,  
180/309, 311, 337, 357; 280/779, 781;  
296/181.1, 181.4, 181.5  
See application file for complete search history.

2002/0011374	A1 *	1/2002	Brister .....	180/291
2005/0173180	A1 *	8/2005	Hypes et al. ....	180/292
2012/0193163	A1 *	8/2012	Wimpfheimer et al. ....	180/233

**OTHER PUBLICATIONS**

Owner's Manual. Trail Master—300XR Dune Buggy. Jul. 29, 2011 [online], [retrieved on May 23, 2013]. Retrieved from the Internet <URL: <http://gokartsusa.com/pdf/TrailMaster-300-XRX-Owners-Manual.pdf>>.\*

American Sport Works. Zircon. Apr. 9, 2013 [online], [retrieved on May 23, 2013]. Retrieved from the Internet <URL: <http://www.amsportworks.com/pdfs/gokarts-minibikes/zircon-hangtag.pdf>>.\*

\* cited by examiner

*Primary Examiner* — Philip S Hyder  
*Assistant Examiner* — Darlington Ly

(74) *Attorney, Agent, or Firm* — Holland & Hart LLP; Bryan G. Pratt

(57) **CLAIM**  
The ornamental design for a go-kart, as shown and described.

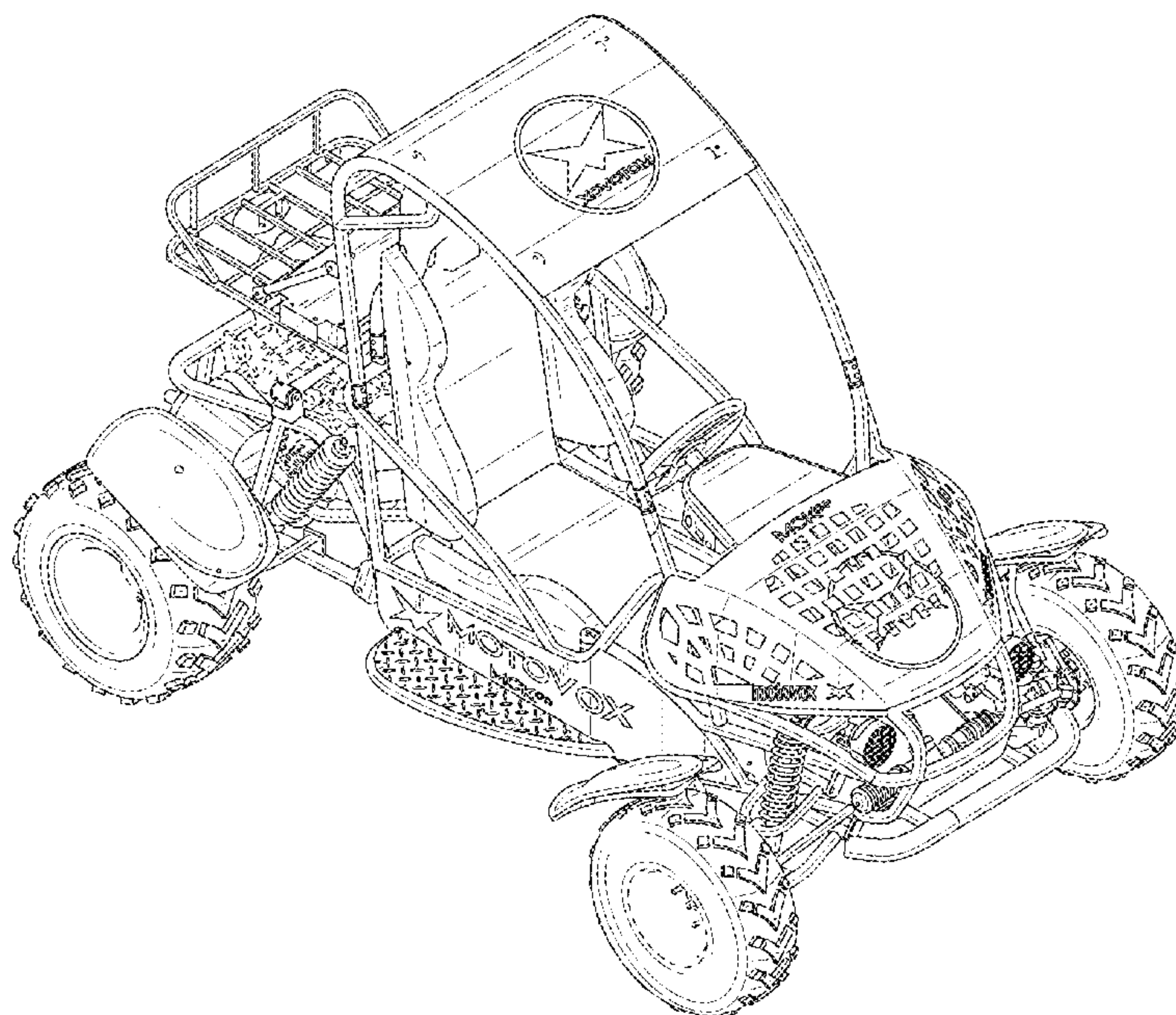
**DESCRIPTION**

FIG. 1 is a front perspective view of the go-kart;  
FIG. 2 is a top plan view thereof;  
FIG. 3 is a front elevation view thereof;  
FIG. 4 is a left side elevation view thereof;  
FIG. 5 is a bottom plan view thereof;  
FIG. 6 is a right side elevation view thereof; and,  
FIG. 7 is a rear elevation view thereof.  
The broken lines shown in the drawings illustrate portions of the go-kart that forms no part of claimed design.

**1 Claim, 7 Drawing Sheets**

(56) **References Cited**  
U.S. PATENT DOCUMENTS

D286,760	S *	11/1986	Ooba et al. ....	D12/87
D300,011	S *	2/1989	Oba et al. ....	D12/87
D312,989	S *	12/1990	Murata et al. ....	D12/87
D442,119	S *	5/2001	Murata et al. ....	D12/86
D453,912	S *	2/2002	Hettich et al. ....	D12/86
D467,200	S *	12/2002	Luo et al. ....	D12/87
D500,707	S *	1/2005	Lu .....	D12/87
D574,297	S *	8/2008	Carl .....	D12/87
D575,675	S *	8/2008	Williams et al. ....	D12/87



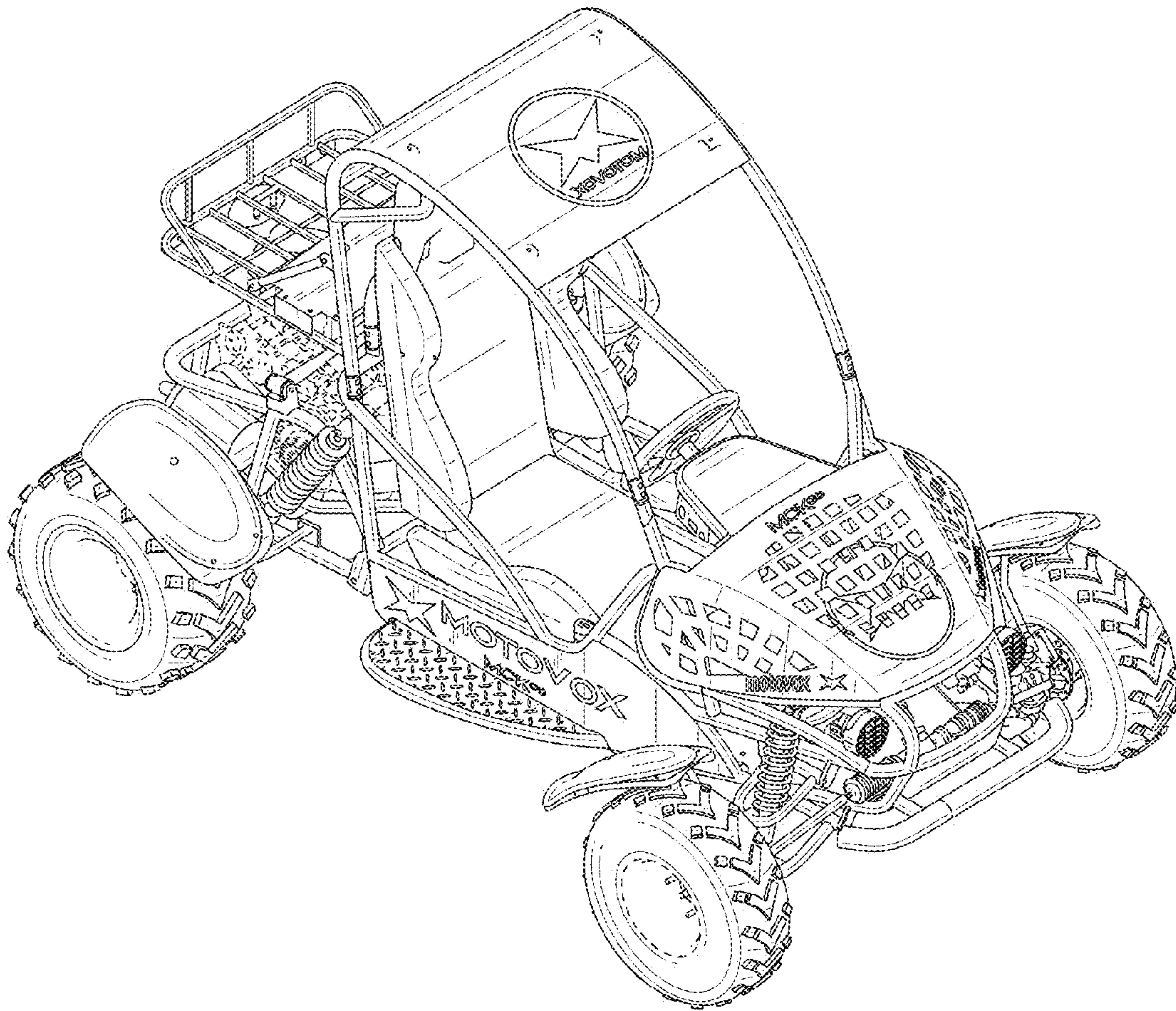


FIG. 1



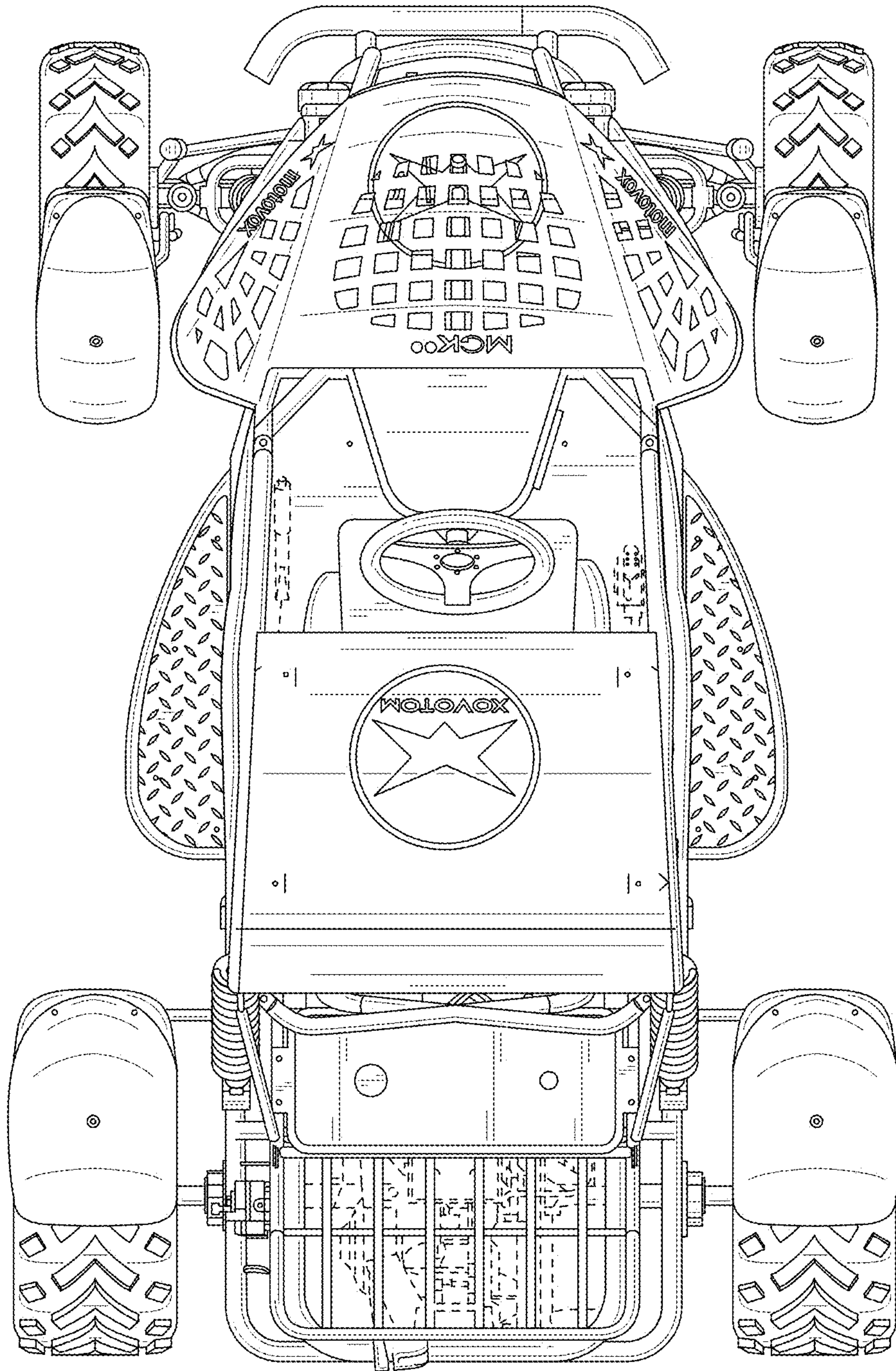


FIG. 2

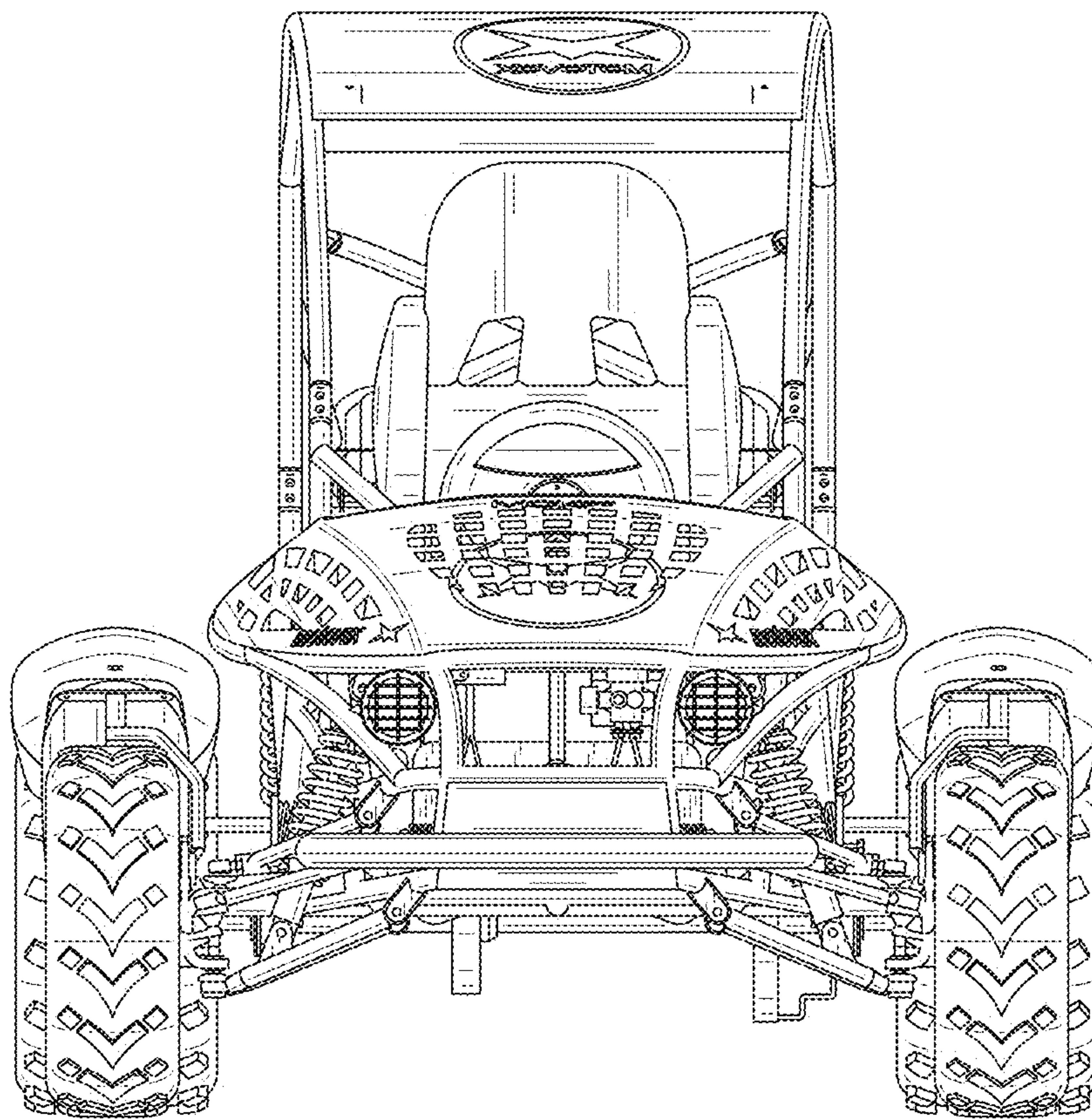


FIG. 3



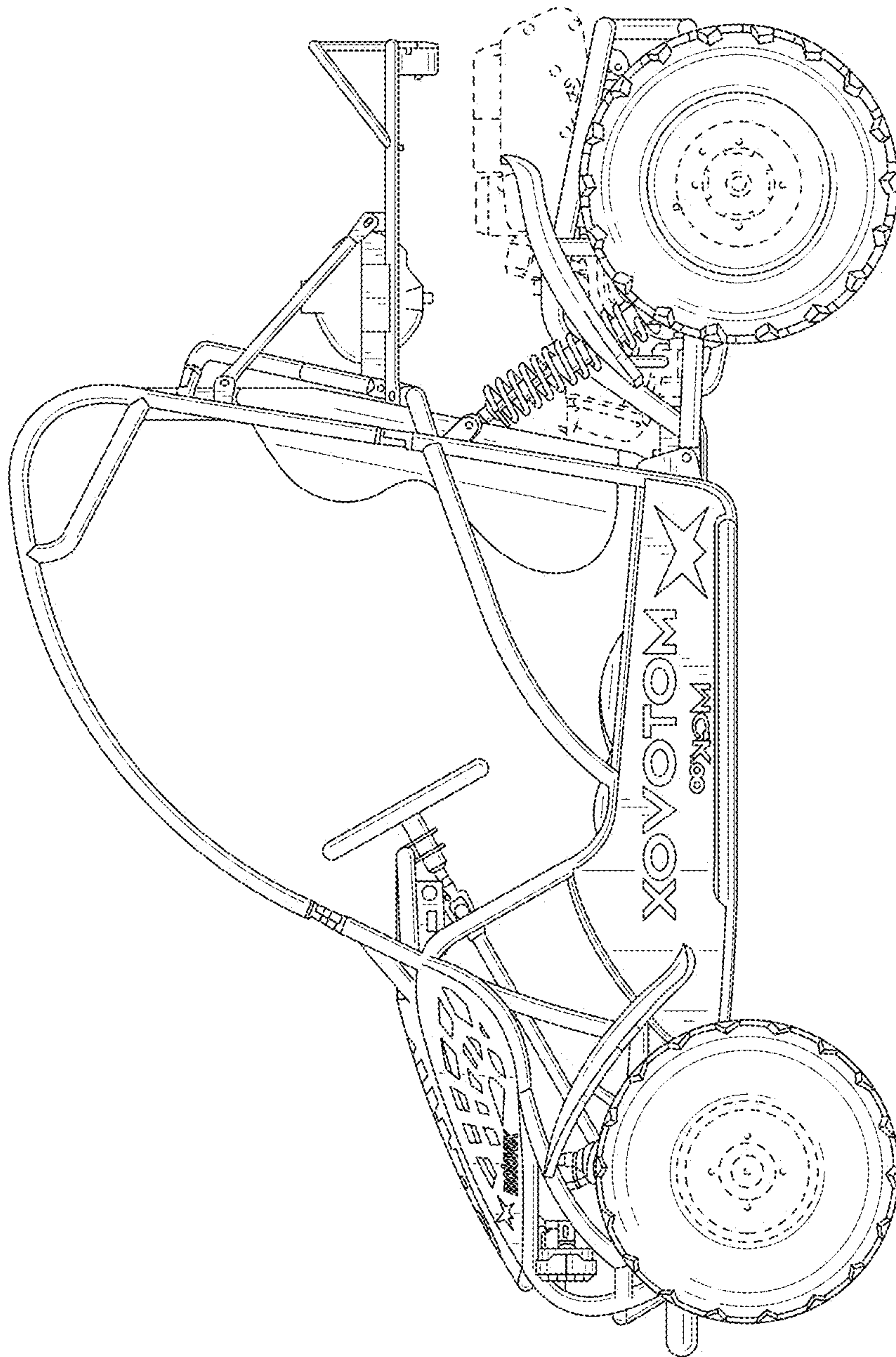


FIG. 4

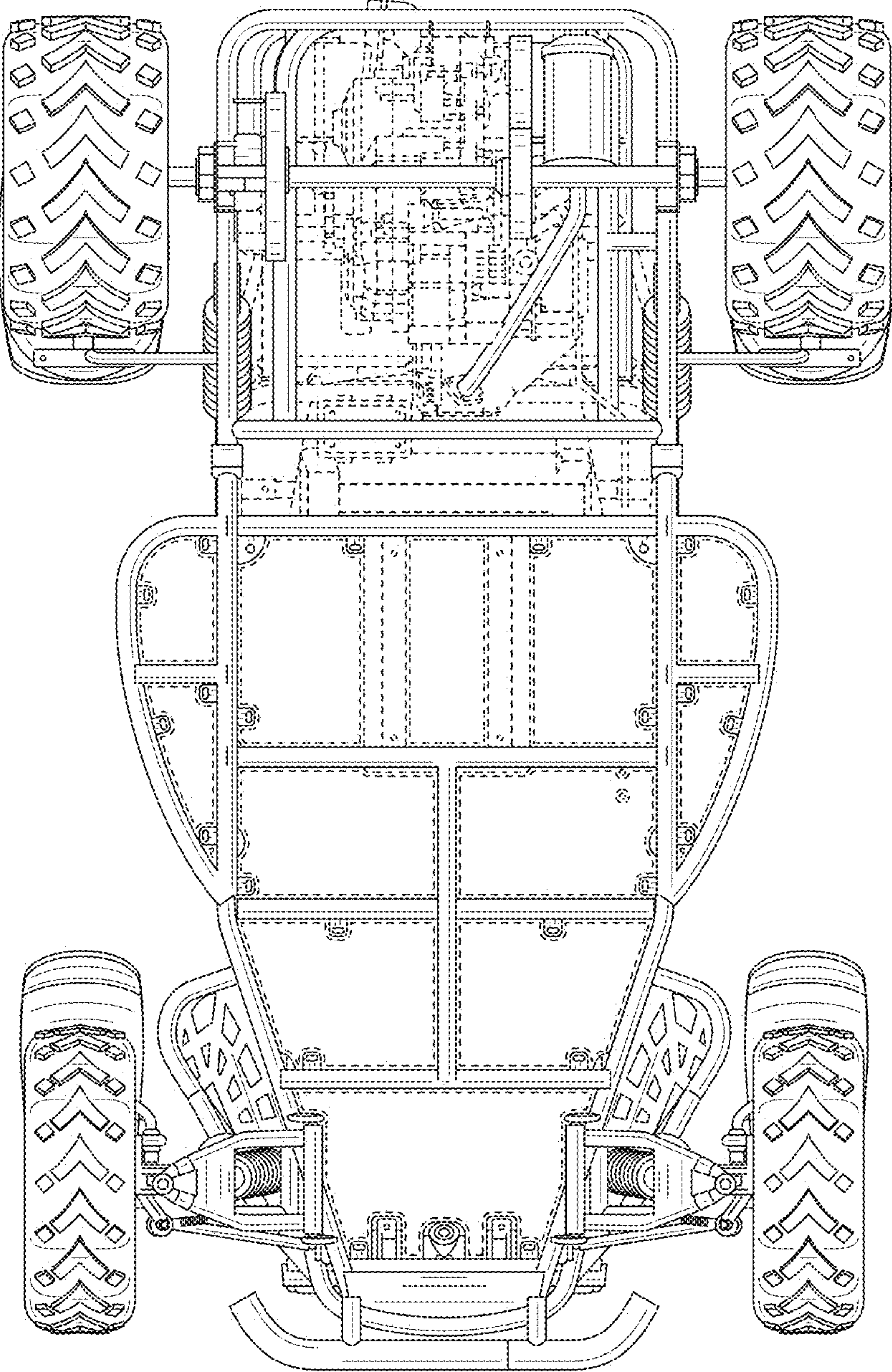


FIG. 5



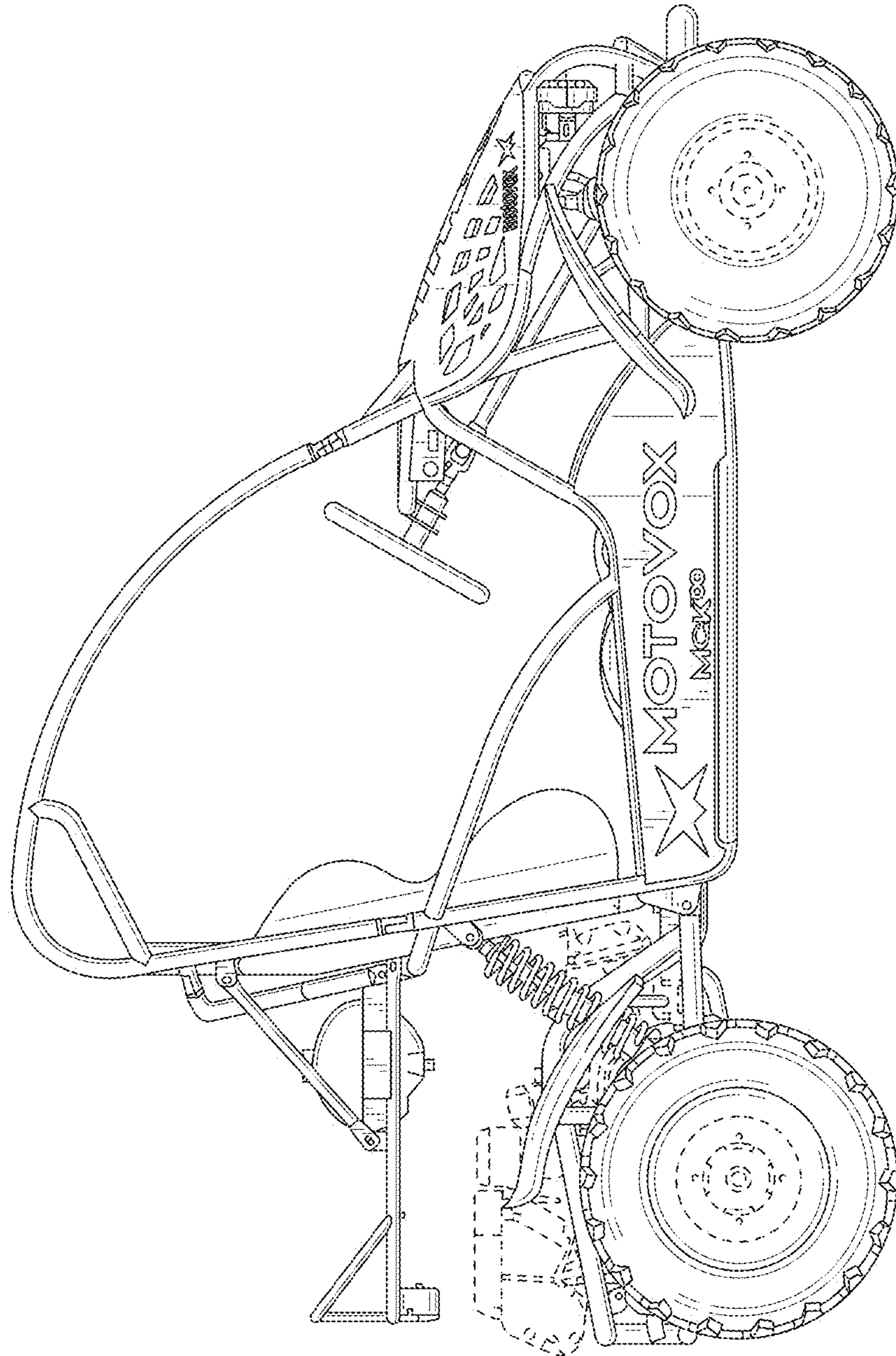


FIG. 6

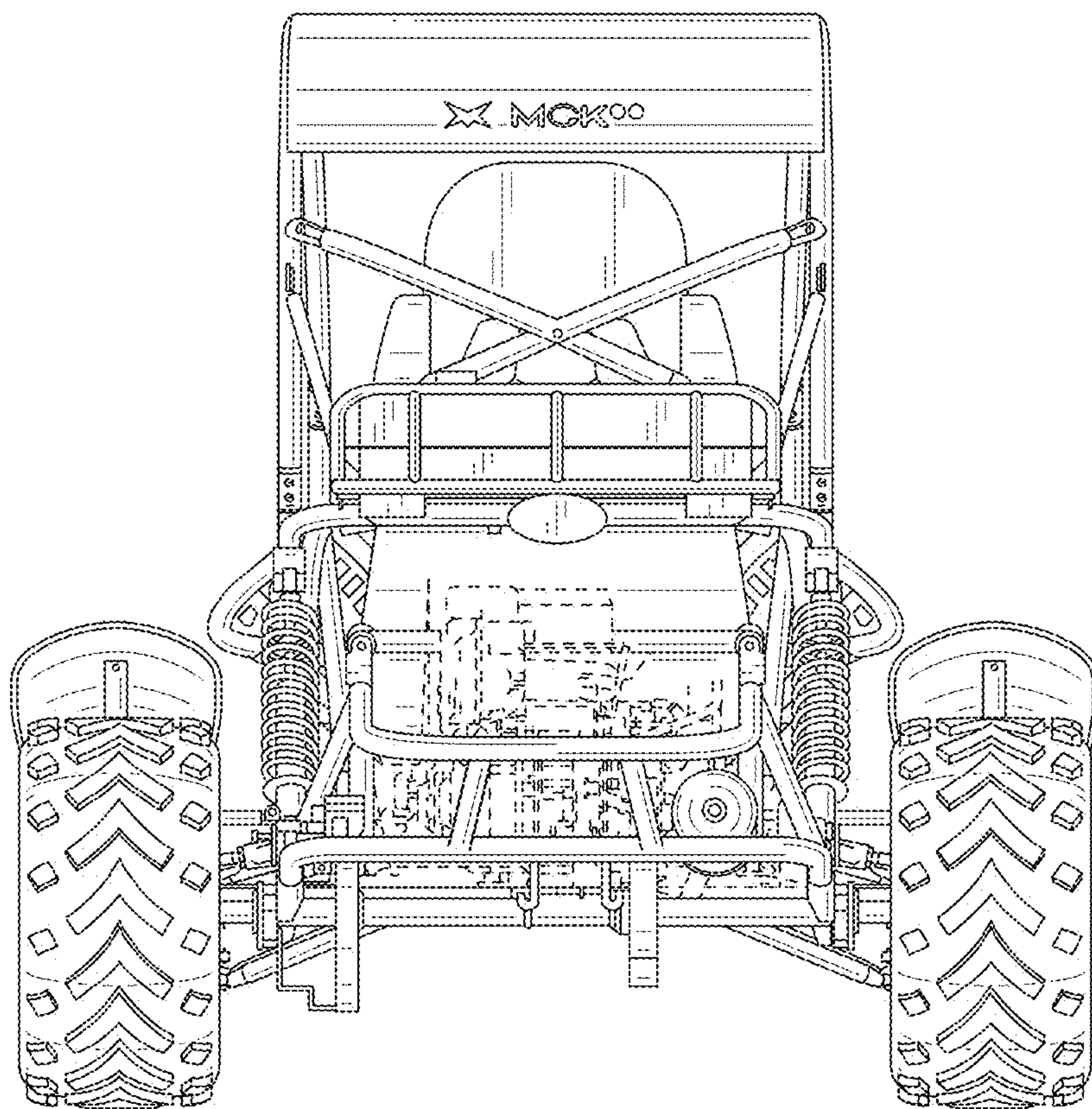


FIG. 7