



US00D705124S

(12) **United States Design Patent**
Wang

(10) **Patent No.:** **US D705,124 S**
(45) **Date of Patent:** **** May 20, 2014**

(54) **DOUBLE LAYER COIL ZIPPER SLIDER**
(71) Applicant: **Genmore Zipper Corporation**, New Taipei (TW)
(72) Inventor: **Lien-Chou Wang**, New Taipei (TW)
(73) Assignee: **Genmore Zipper Corporation**, New Taipei (TW)
(**) Term: **14 Years**
(21) Appl. No.: **29/471,978**
(22) Filed: **Nov. 7, 2013**
(51) **LOC (10) Cl.** **02-07**
(52) **U.S. Cl.**
USPC **D11/221**
(58) **Field of Classification Search**
CPC A44B 19/00; A44B 19/02; A44B 19/04;
A44B 19/10; A44B 19/24; A44B 19/26;
A44B 19/30
USPC D11/200, 201, 221; 24/381–383,
24/385–387, 414–417, 421–422, 427–431,
24/433, 424; 2/265; D2/641, 642; 294/3.6;
223/118
See application file for complete search history.

D643,336 S * 8/2011 Di Girolami et al. D11/221
D643,779 S * 8/2011 Di Girolami et al. D11/221
D653,170 S * 1/2012 Hamada et al. D11/221
D653,171 S * 1/2012 Hamada et al. D11/221
D655,645 S * 3/2012 Gut D11/221

* cited by examiner

Primary Examiner — Ralf Seifert

(74) *Attorney, Agent, or Firm* — Jackson IPG PLLC

(57) **CLAIM**

The ornamental design for double layer coil zipper slider, as shown and described.

DESCRIPTION

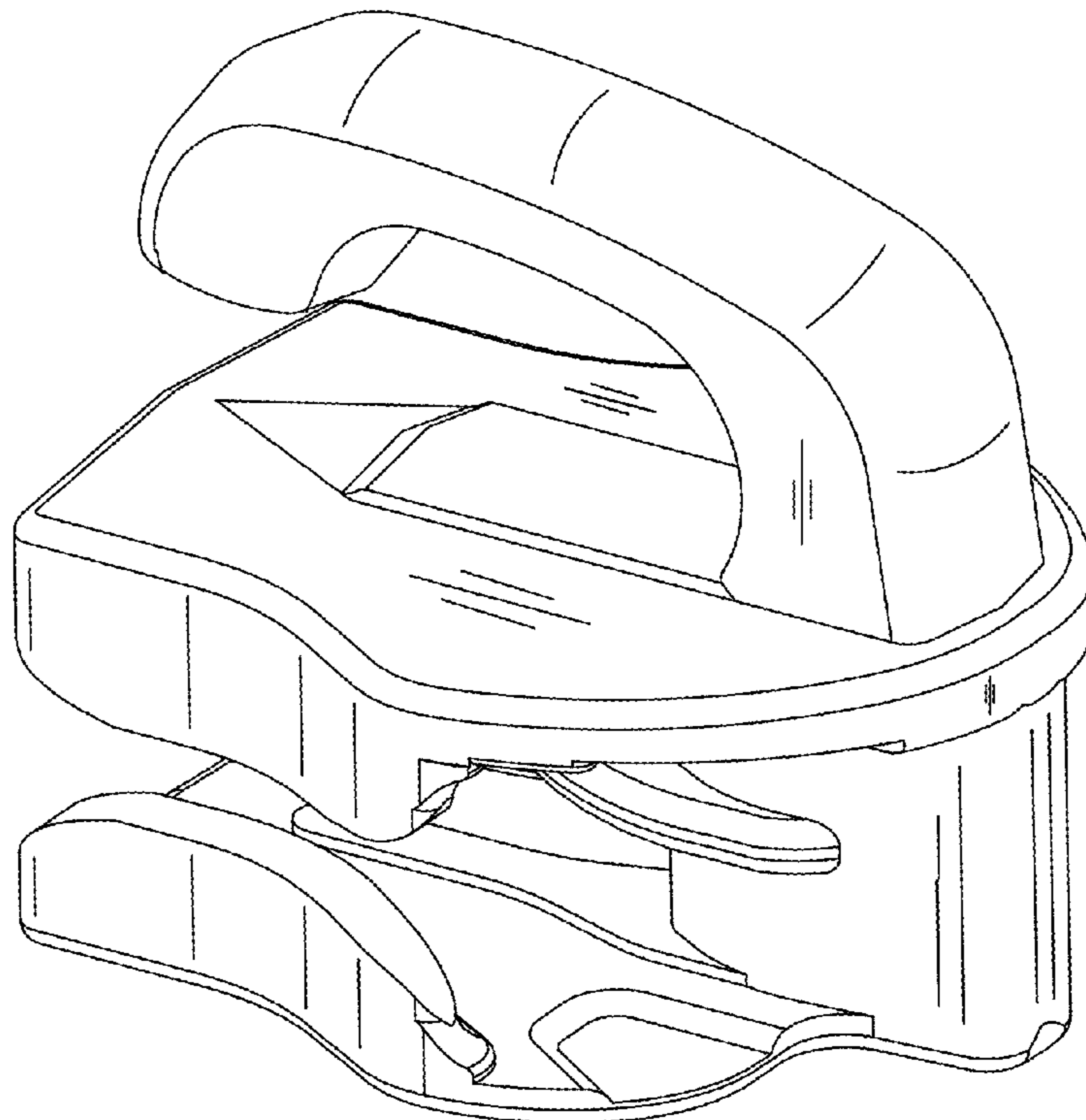
FIG. 1 is a perspective view of a double layer coil zipper slider showing my new design;
FIG. 2 is a rear elevational view thereof;
FIG. 3 is a front elevational view thereof;
FIG. 4 is a top plan view thereof;
FIG. 5 is a bottom plan view thereof;
FIG. 6 is a right side elevational view thereof;
FIG. 7 is a left side elevational view thereof;
FIG. 8 is a perspective view from other view;
FIG. 9 is a cross sectional view of FIG. 2; and,
FIG. 10 is a cross sectional view of FIG. 4.

1 Claim, 6 Drawing Sheets

(56) **References Cited**

U.S. PATENT DOCUMENTS

6,533,239 B1 * 3/2003 Komuro et al. 249/142
D484,829 S * 1/2004 Yamamoto et al. D11/221



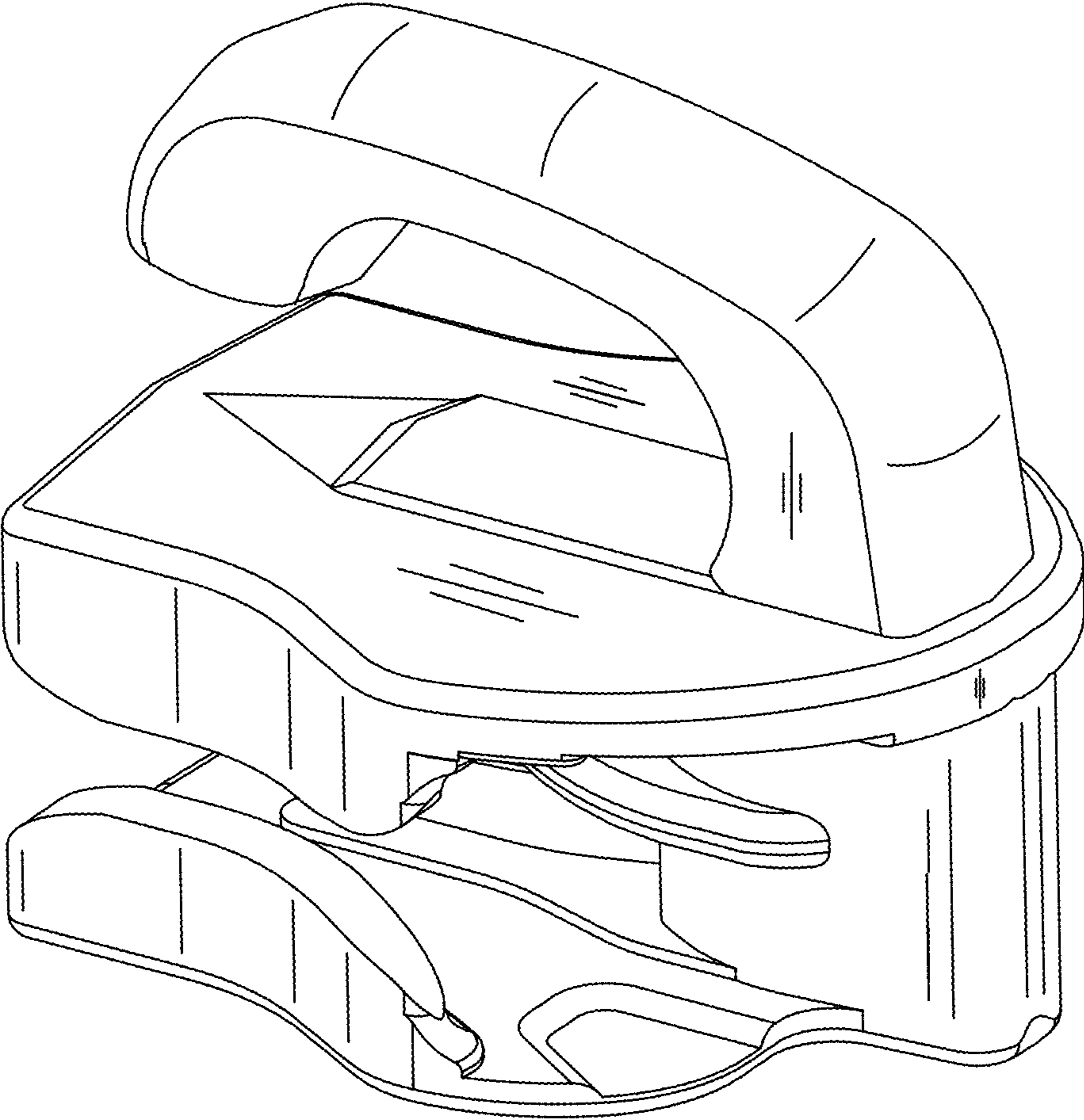


Fig. 1

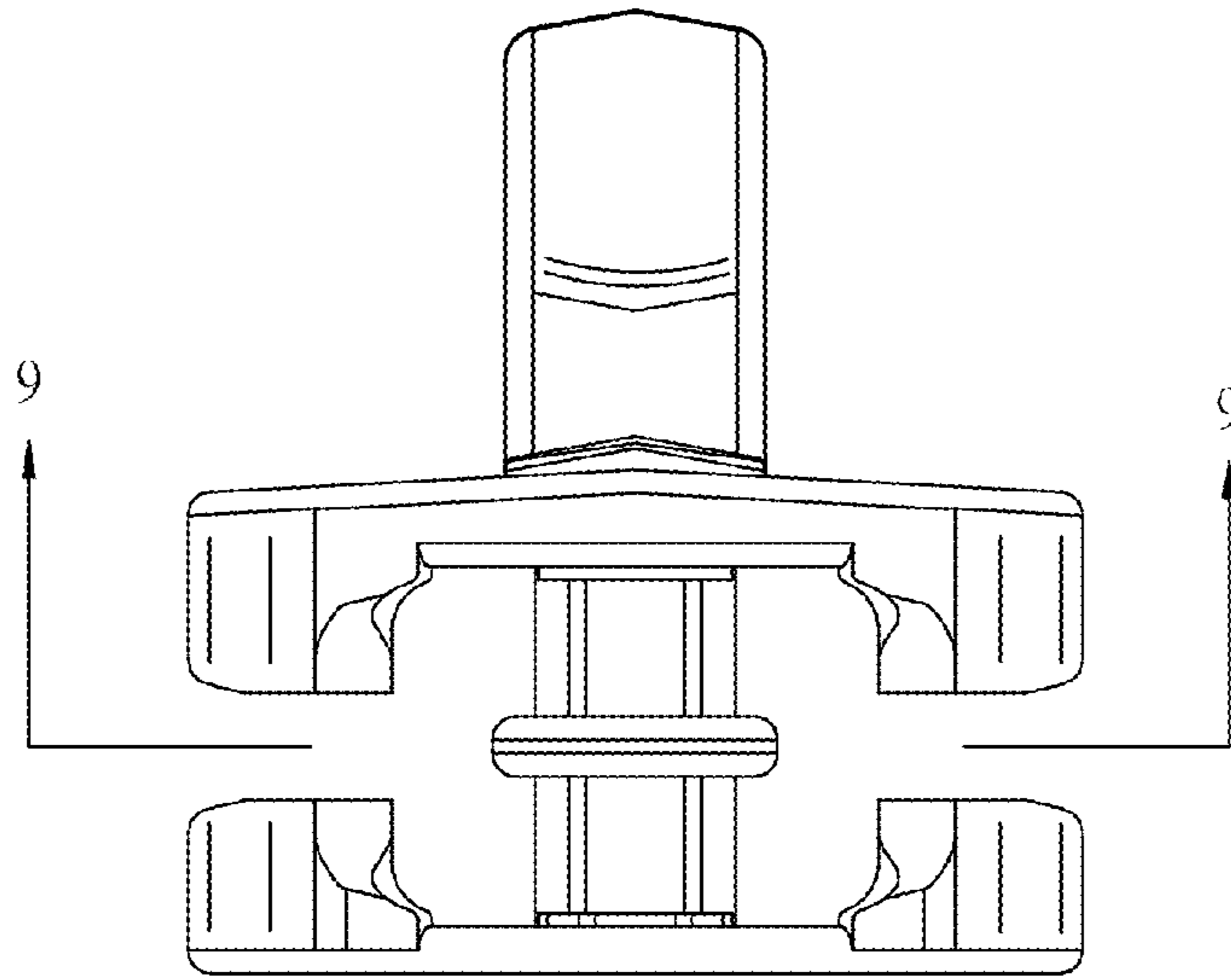


Fig. 2

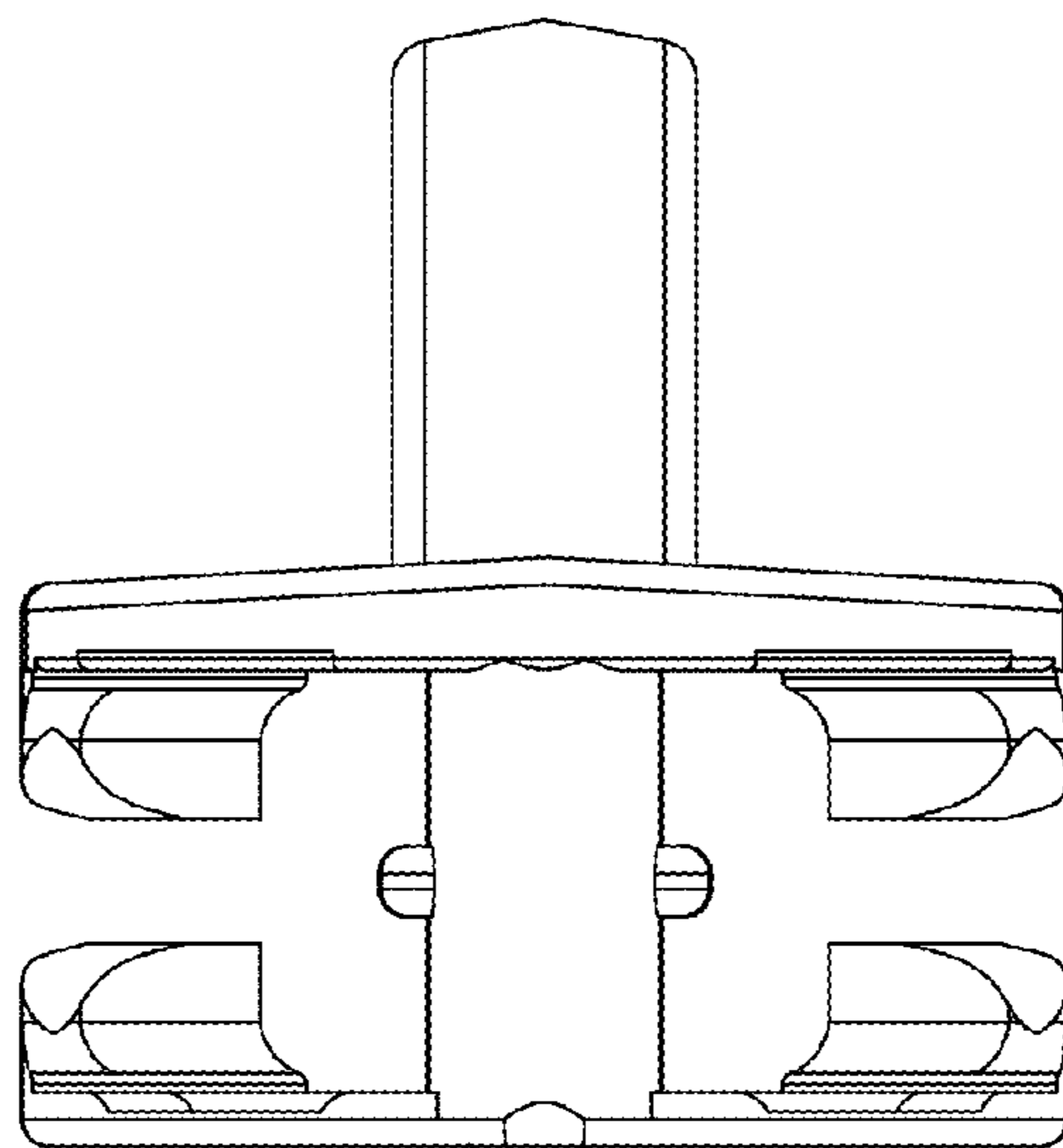


Fig. 3

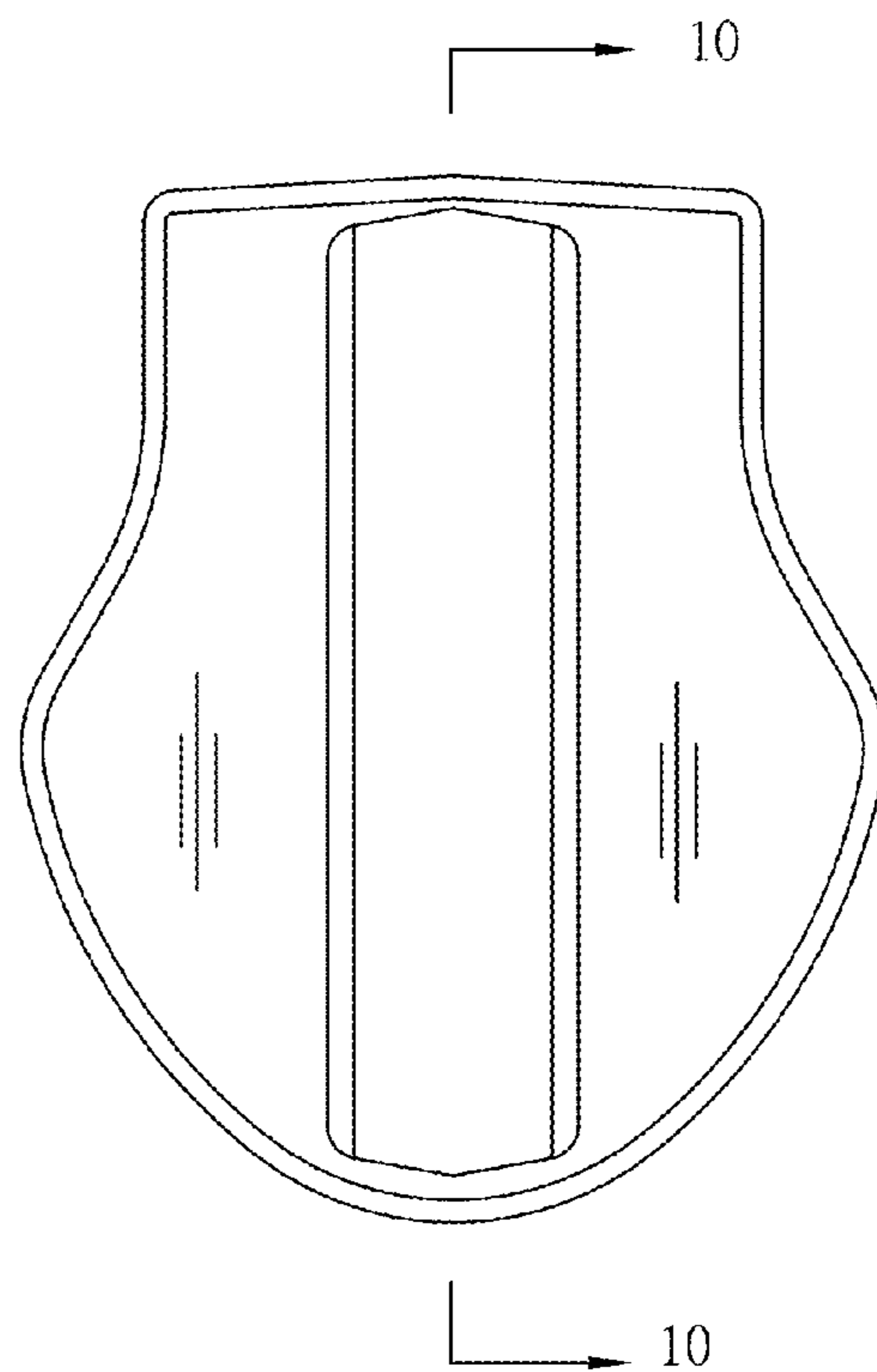


Fig. 4

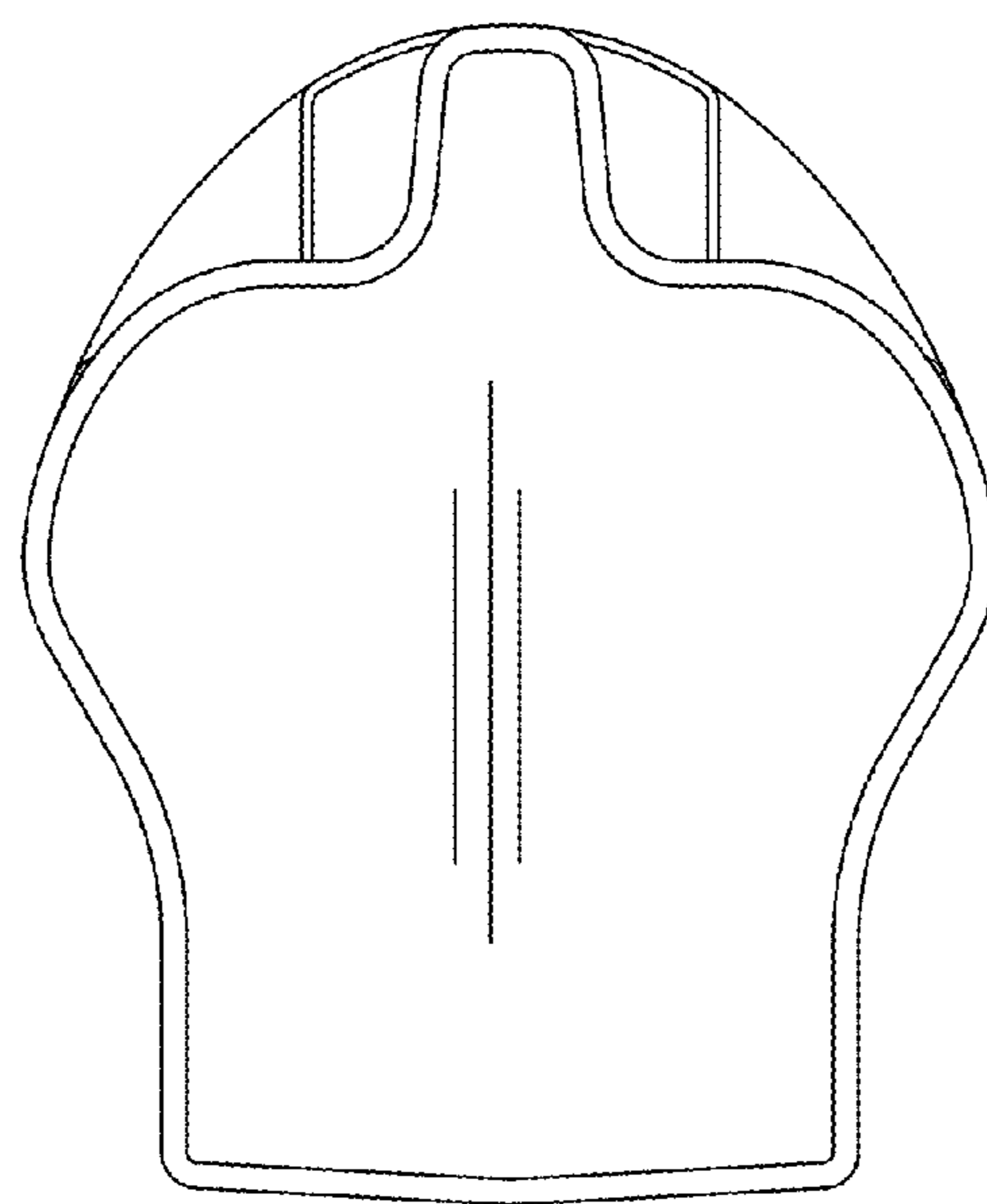


Fig. 5

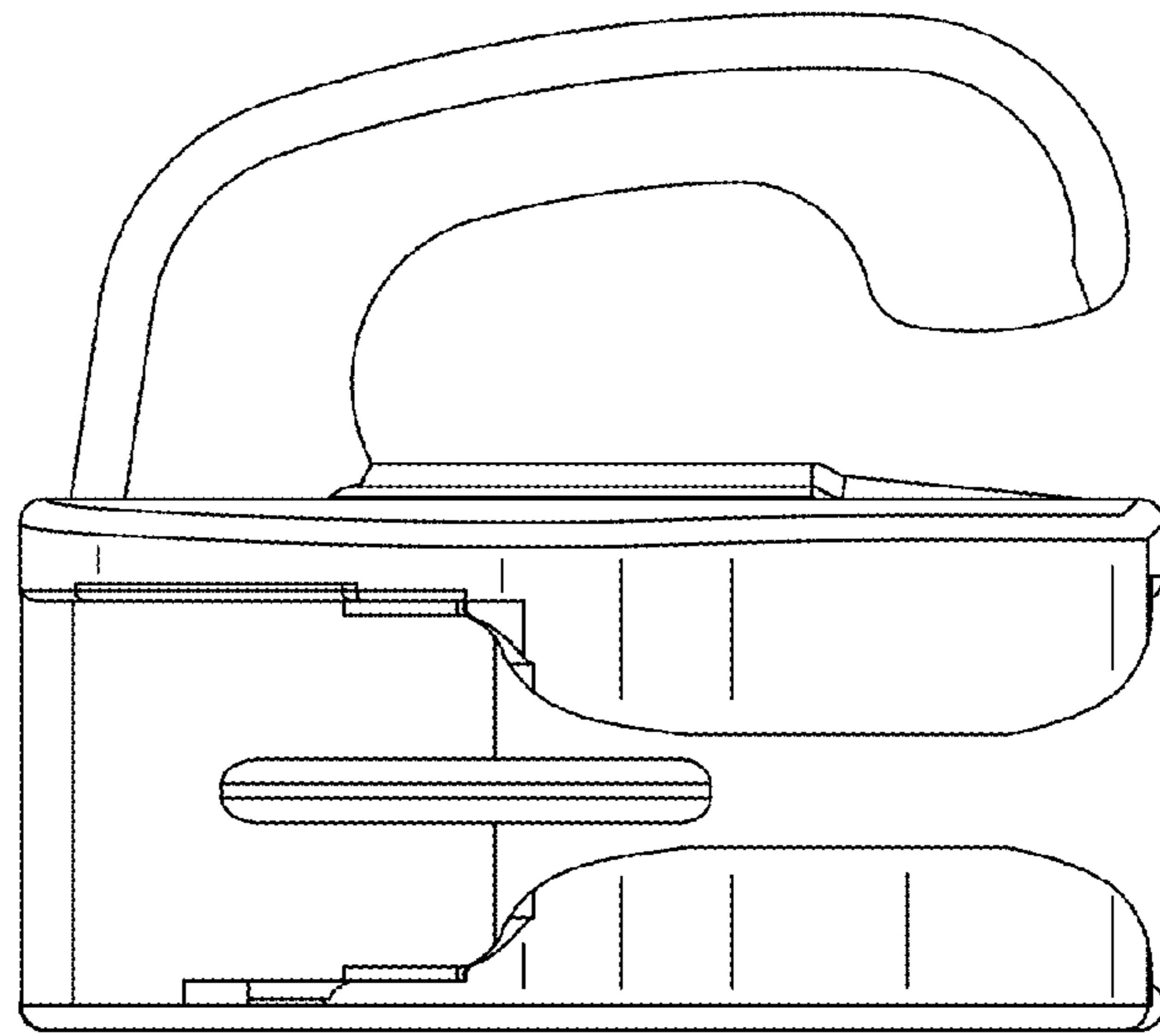


Fig. 6

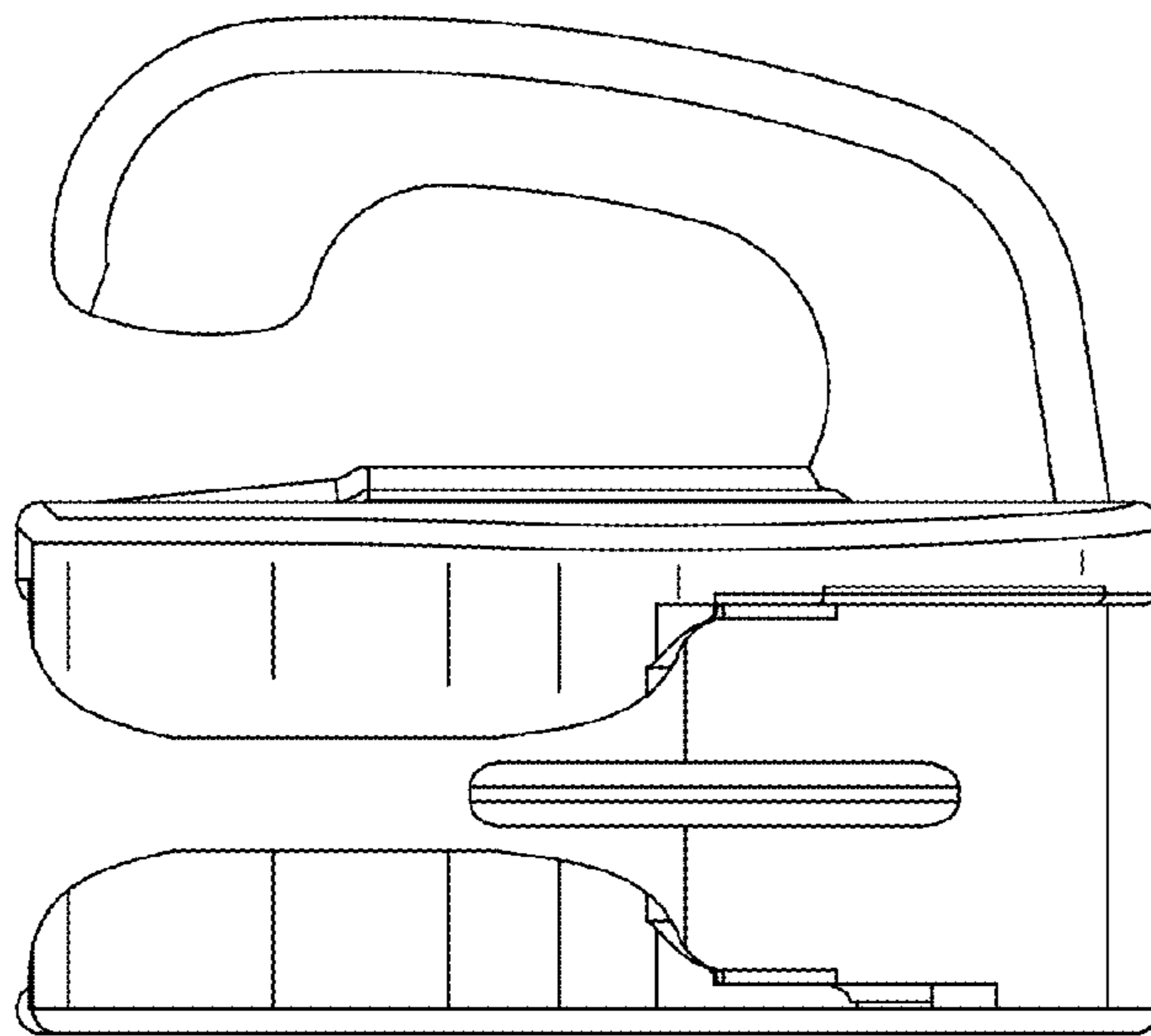


Fig. 7

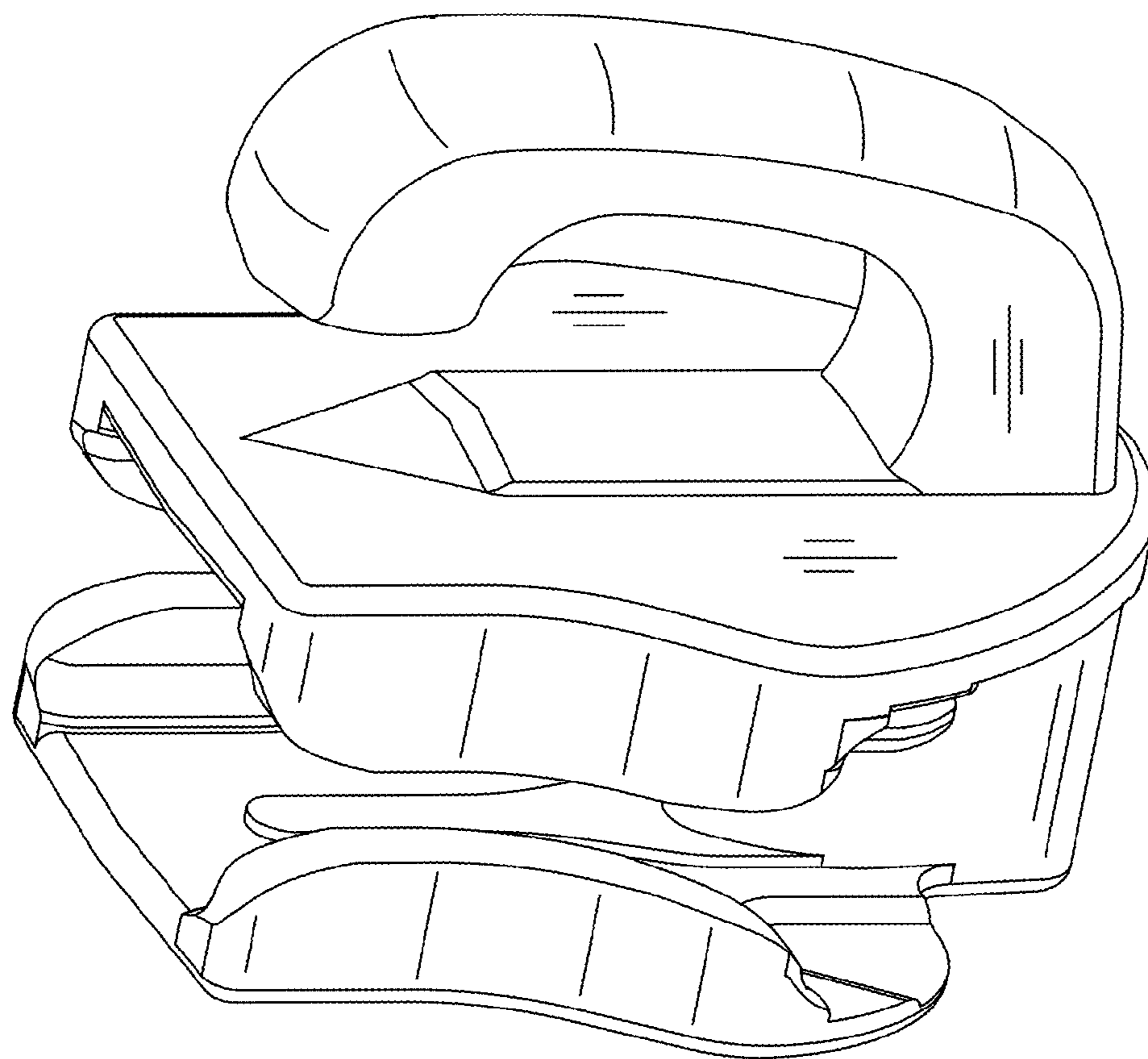


Fig. 8

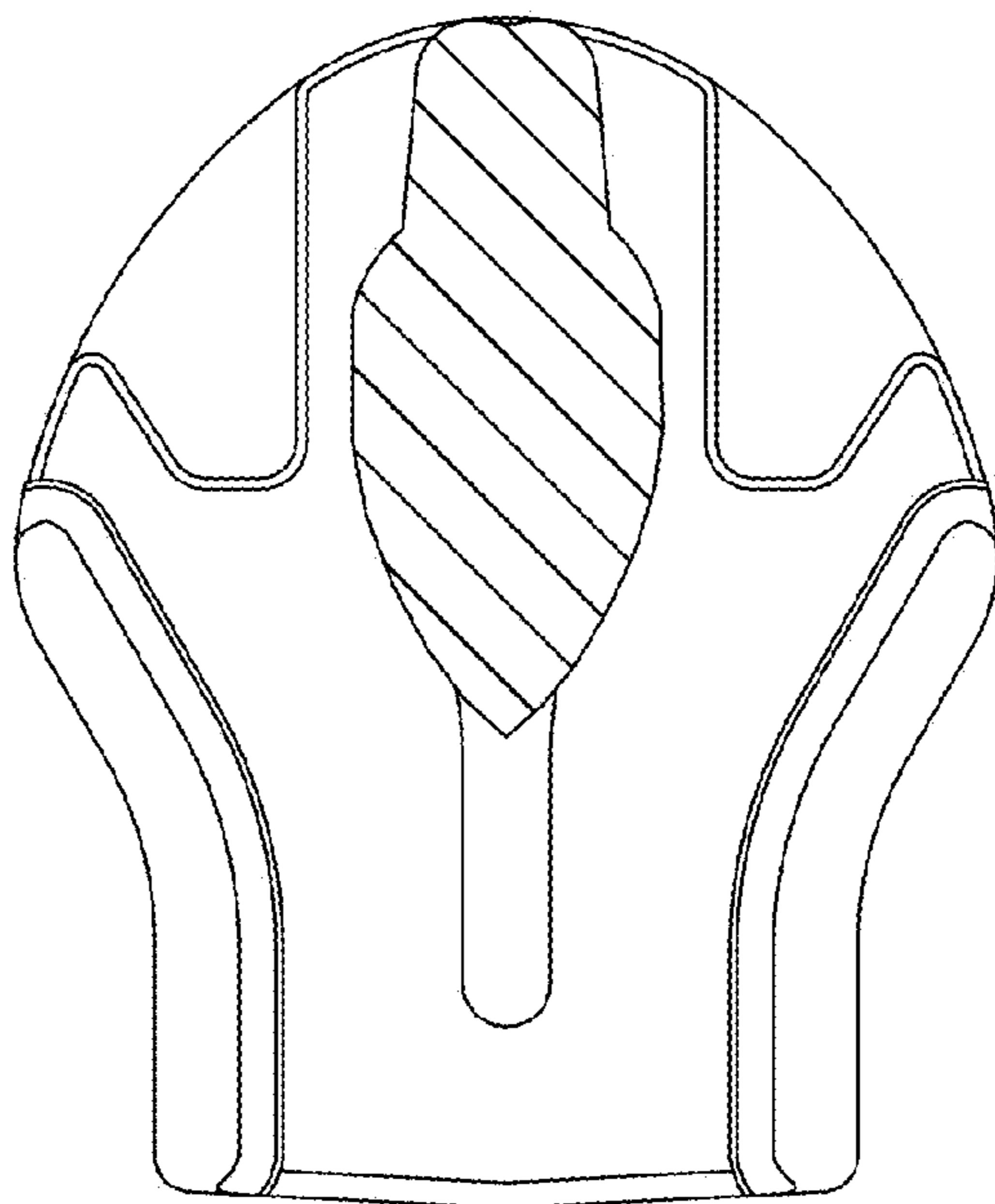


Fig. 9

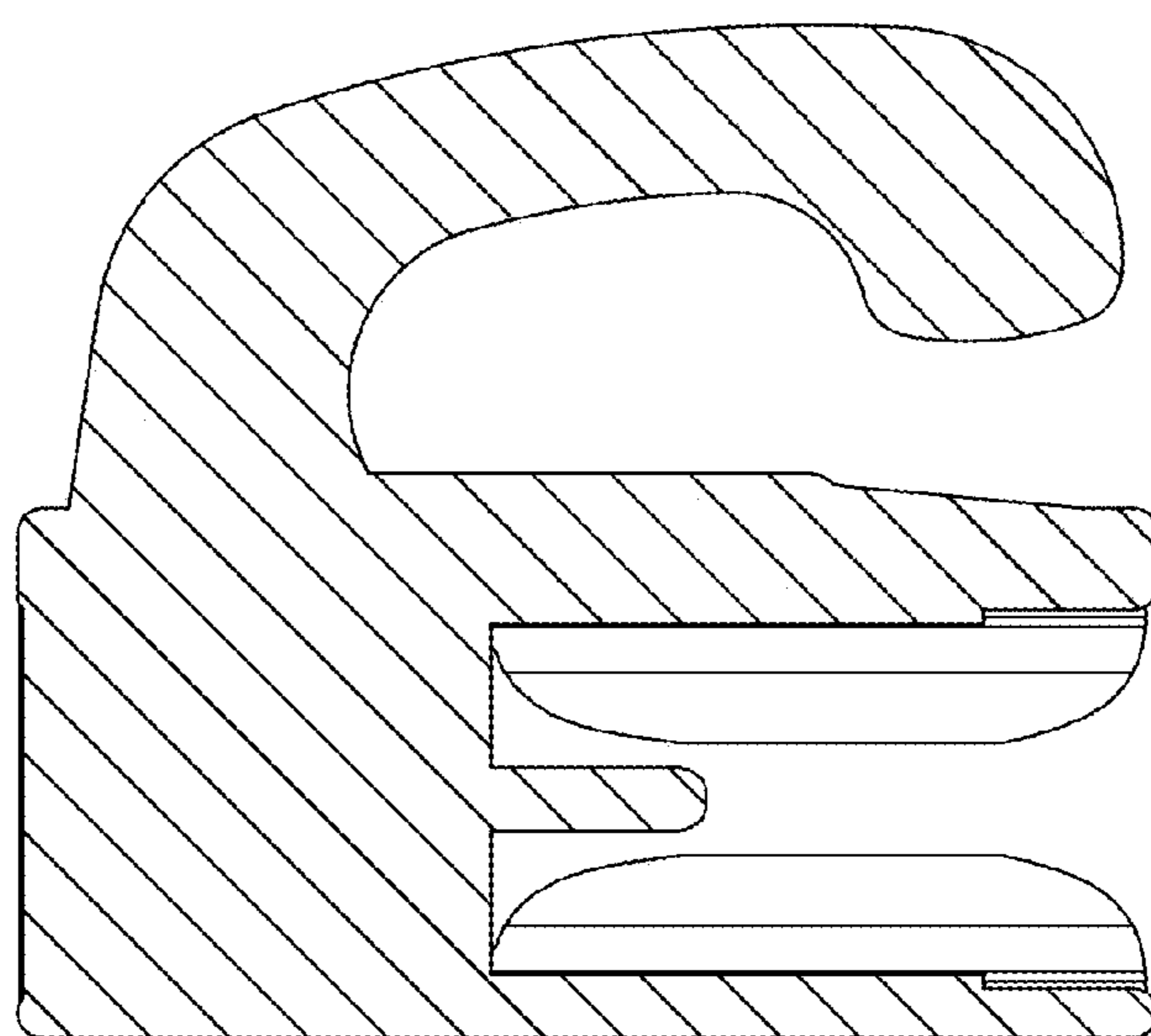


Fig. 10