



US00D705123S

(12) **United States Design Patent**
Thompson et al.

(10) **Patent No.:** **US D705,123 S**
(45) **Date of Patent:** **** May 20, 2014**

- (54) **BUCKLE**
- (71) Applicant: **3M Innovative Properties Company**,
St. Paul, MN (US)
- (72) Inventors: **Craig D. Thompson**, Inver Grove
Heights, MN (US); **Angela L. Pan**,
Woodbury, MN (US)
- (73) Assignee: **3M Innovation Properties Company**,
St. Paul, MN (US)
- (**) Term: **14 Years**
- (21) Appl. No.: **29/460,513**
- (22) Filed: **Jul. 11, 2013**
- (51) **LOC (10) Cl.** **02-07**
- (52) **U.S. Cl.**
USPC **D11/218; D11/210**
- (58) **Field of Classification Search**
USPC D11/1-2, 200-201, 206-210, 214-218;
24/163 R, 169-171, 173, 177-179, 191,
24/194-195, 197, 200, 614-616, 625, 198
See application file for complete search history.

D313,343	S	*	1/1991	Sachs	D8/383
5,177,837	A	*	1/1993	Rekuc	24/198
D356,658	S	*	3/1995	Bernart	D2/624
5,432,985	A	*	7/1995	Bernart	24/265 AL
7,100,249	B2	*	9/2006	Hurn	24/199
7,299,527	B1	*	11/2007	Gyure	24/198
D671,447	S	*	11/2012	Nerison, Sr.	D11/218

OTHER PUBLICATIONS

Fusen Plastic Buckle Velcro Strap, 5 pages, http://www.alibaba.com/product-gs/837407588/Plastic_buckle_velcro_strap.html, retrieved from the internet Aug. 22, 2013.

Horizontal Cable Organizing Accessories, 6 pages, <http://www.hammondmfg.com/rackacc4.htm>, retrieved from the internet Aug. 22, 2013.

* cited by examiner

Primary Examiner — Ralf Seifert
(74) *Attorney, Agent, or Firm* — Irina Hass

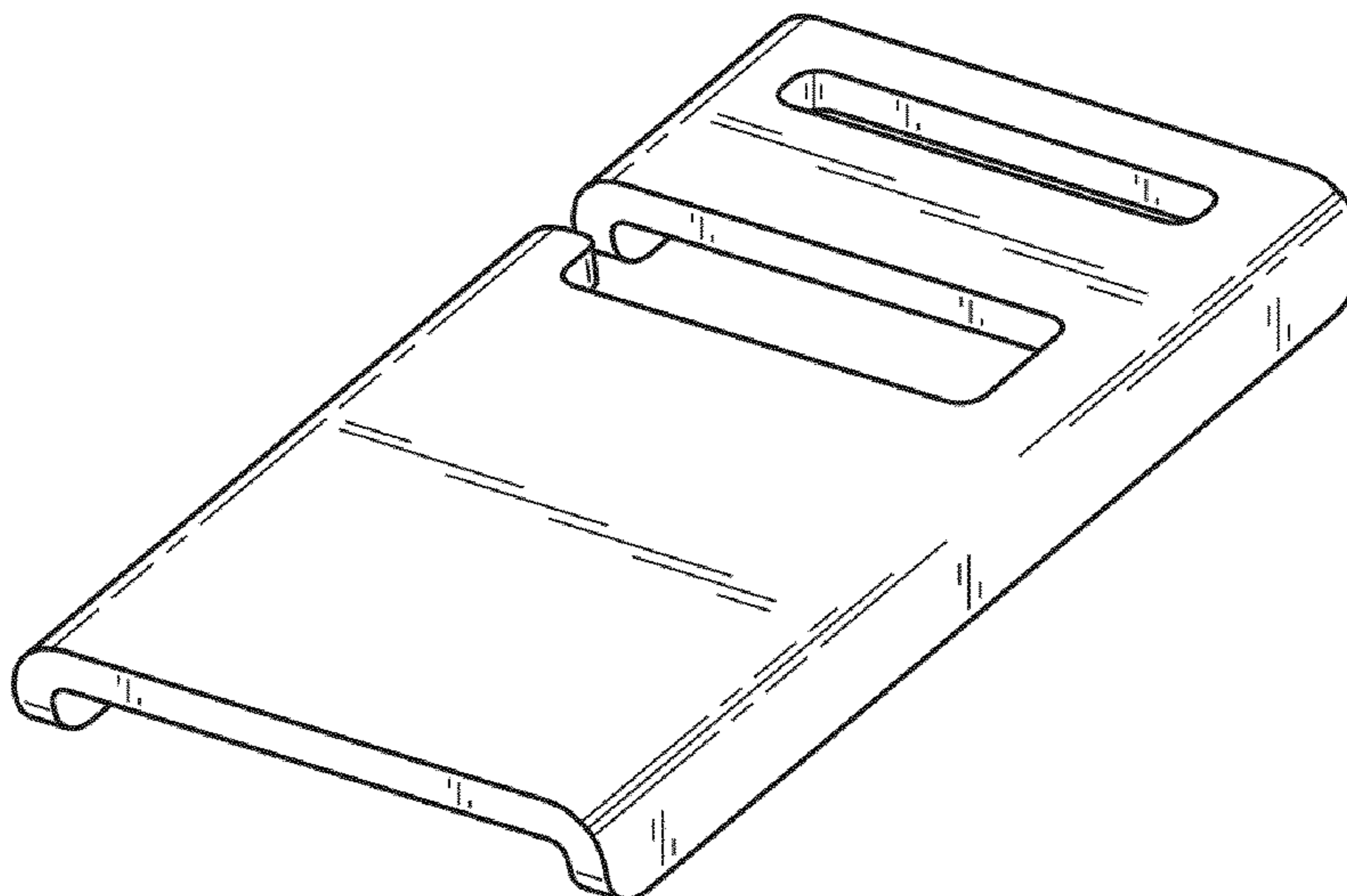
(57) **CLAIM**
The ornamental design for a buckle, as shown and described.

DESCRIPTION

FIG. 1 is a perspective view showing the new design for a buckle;
FIG. 2 is a front view thereof;
FIG. 3 is a rear view thereof;
FIG. 4 is a left side view thereof;
FIG. 5 is a right side view thereof;
FIG. 6 is a top view thereof, a bottom view being a mirror image thereof; and,
FIG. 7 is a perspective view thereof showing the buckle with a strap.
The portions of the buckle shown in broken lines form no part of the claimed design.

1 Claim, 2 Drawing Sheets

- (56) **References Cited**
U.S. PATENT DOCUMENTS
- | | | | | | | |
|-----------|---|---|---------|----------------------|-------|-----------|
| 1,849,258 | A | * | 3/1932 | Washburn | | 24/186 |
| 2,016,041 | A | * | 10/1935 | Koopetz | | 24/578.15 |
| 2,114,074 | A | * | 4/1938 | Eidinger | | 2/127 |
| 2,407,466 | A | * | 9/1946 | Alberts | | 24/200 |
| 2,849,773 | A | * | 9/1958 | Kaselow | | 24/200 |
| 3,121,270 | A | * | 2/1964 | Van Den Broek et al. | | 24/312 |
| 3,346,930 | A | * | 10/1967 | Browning | | 24/265 R |
| D264,260 | S | * | 5/1982 | Terino, Jr. | | D30/152 |
| 4,457,051 | A | * | 7/1984 | Bartolini | | 24/198 |
| D313,204 | S | * | 12/1990 | Bodt | | D11/218 |



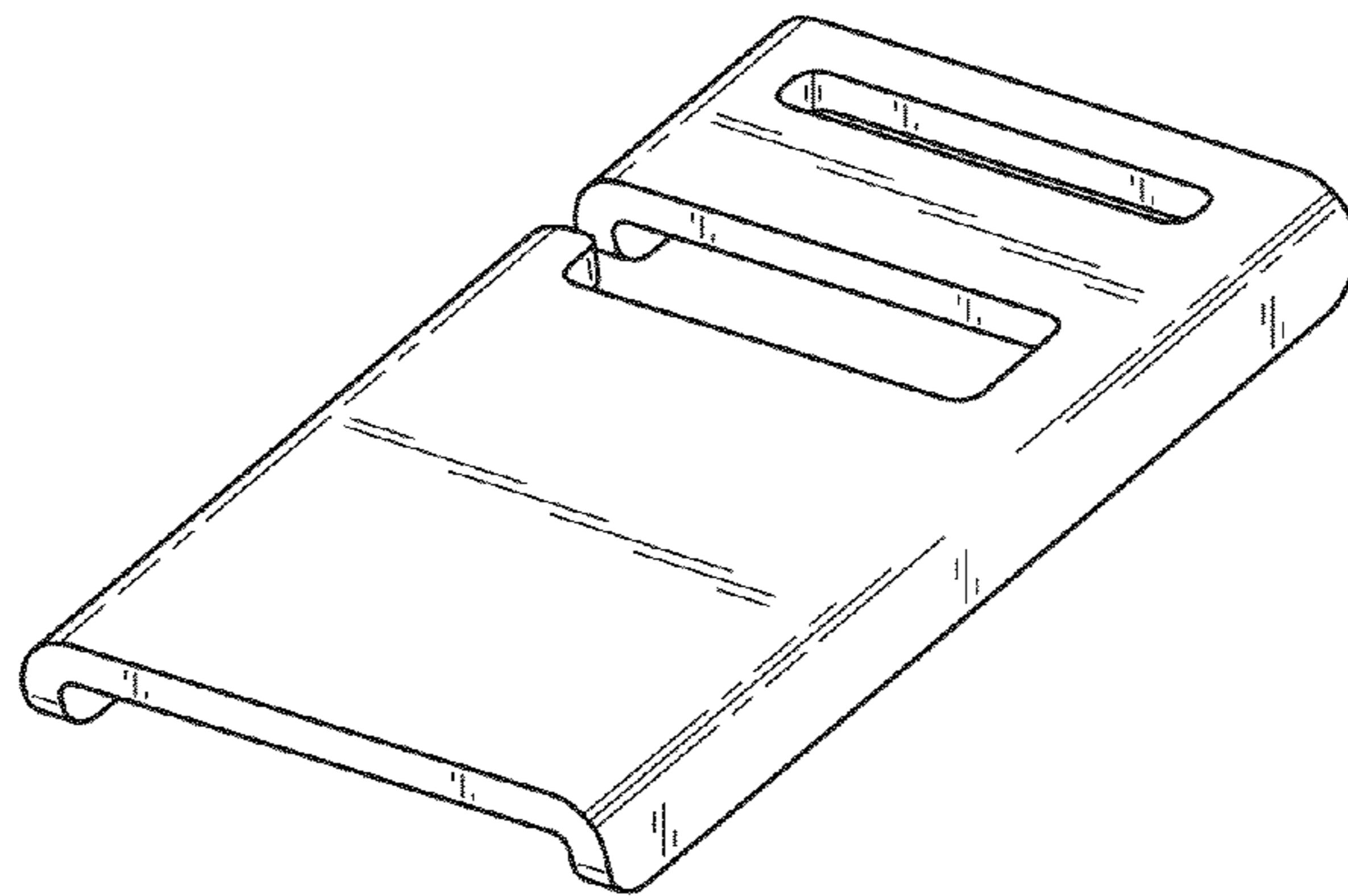


Fig. 1

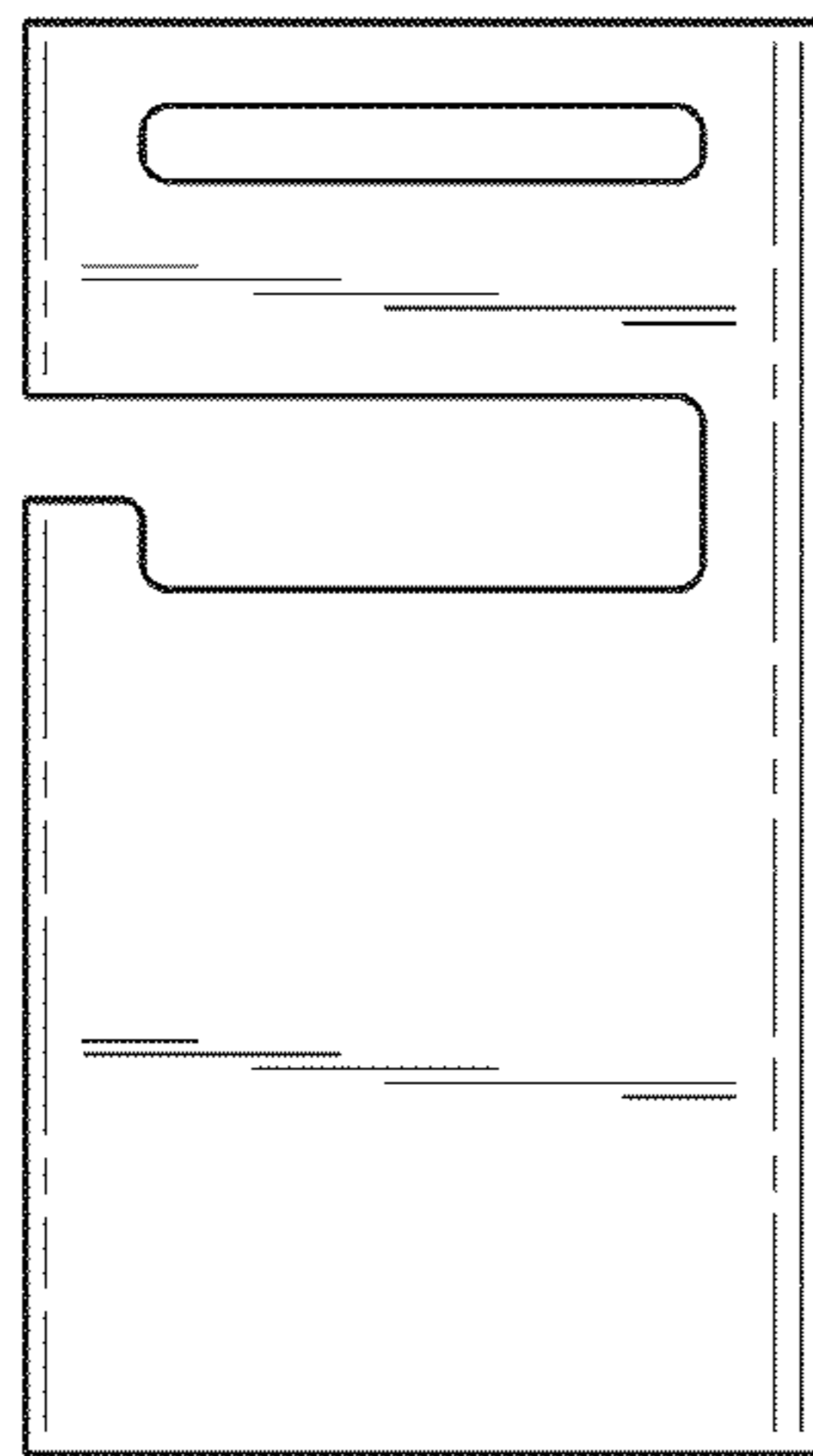


Fig. 2

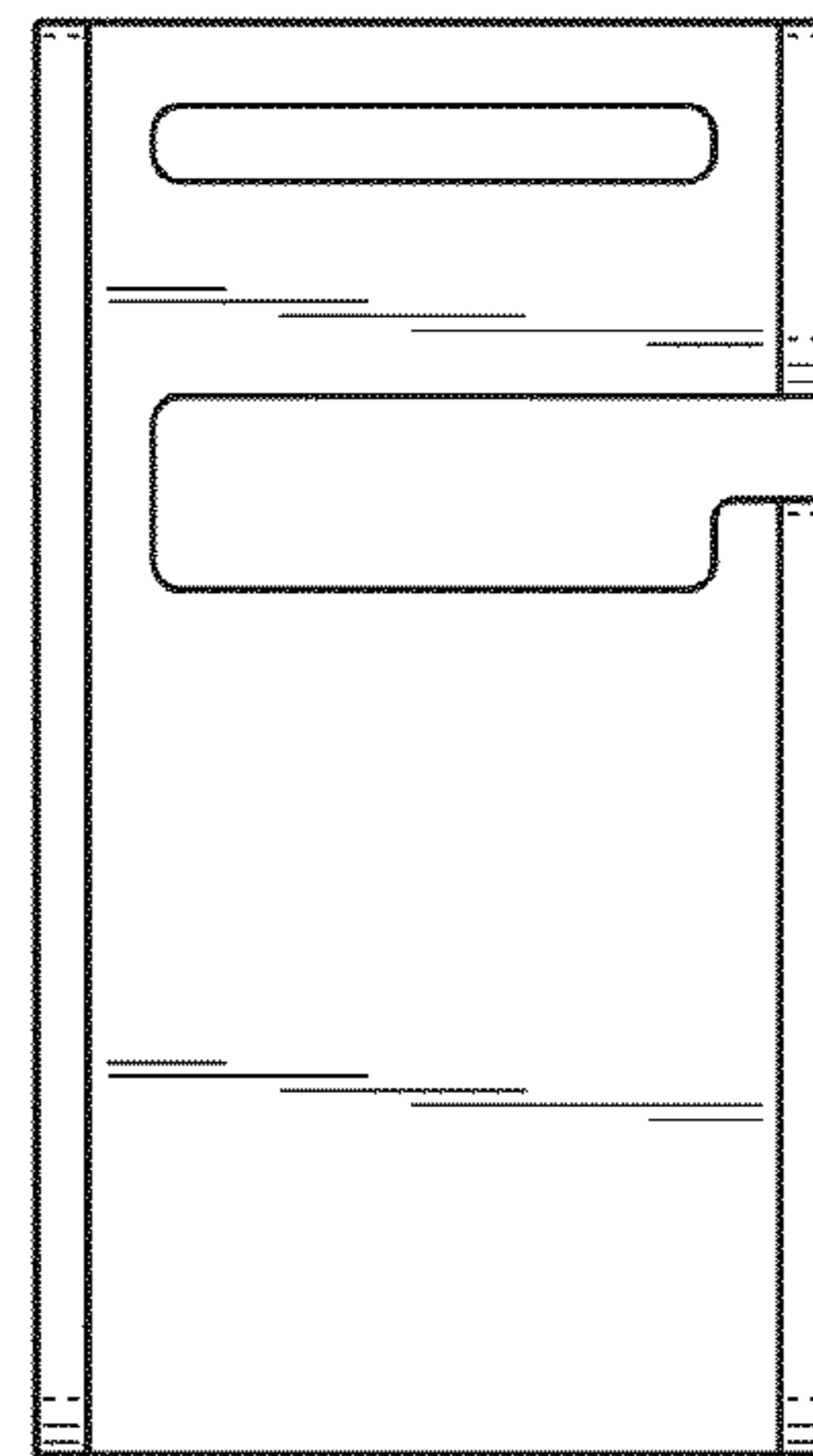


Fig. 3

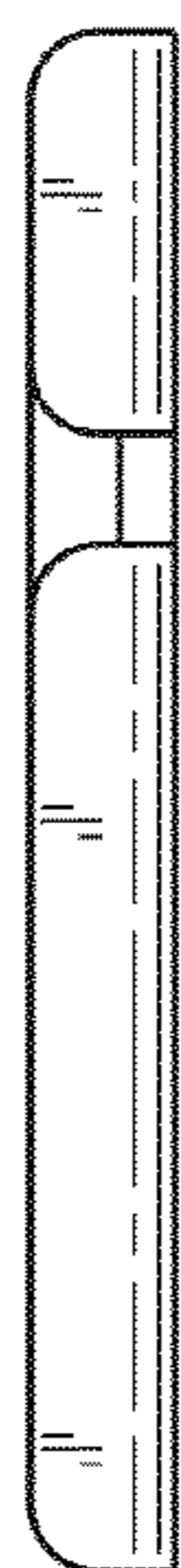


Fig. 4

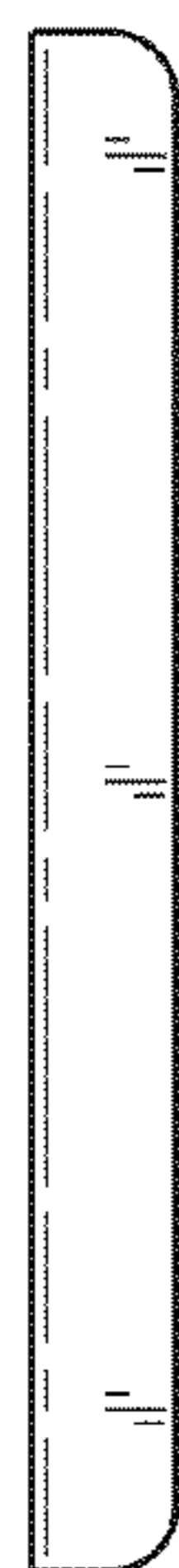


Fig. 5



Fig. 6

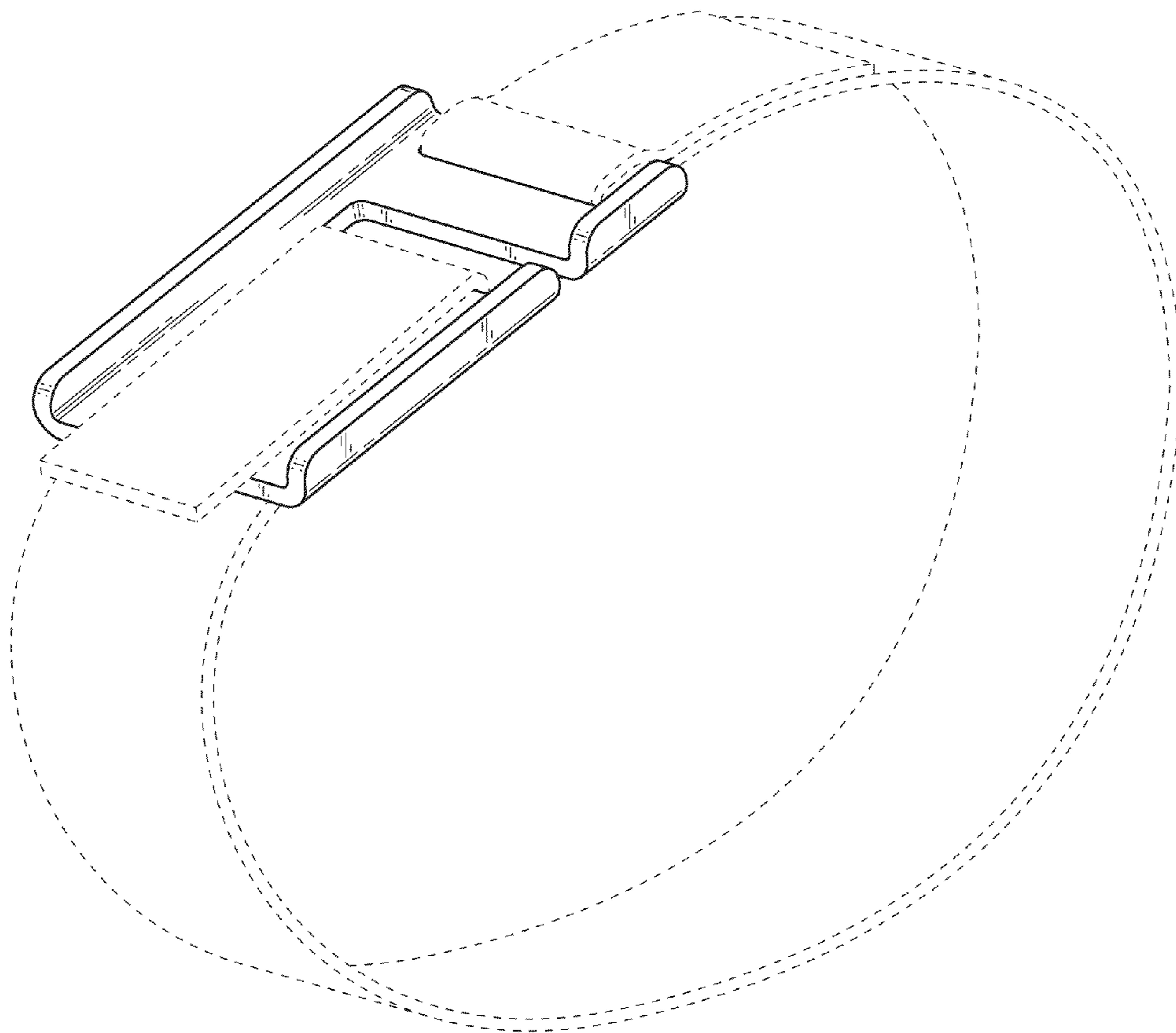


Fig. 7

UNITED STATES PATENT AND TRADEMARK OFFICE
CERTIFICATE OF CORRECTION

PATENT NO. : D705,123 S
APPLICATION NO. : 29/460513
DATED : May 20, 2014
INVENTOR(S) : Thompson et al.

Page 1 of 1

It is certified that error appears in the above-identified patent and that said Letters Patent is hereby corrected as shown below:

Title page, Col. 1 item (73), (Assignee)

Line 1, delete "Innovation" and insert -- Innovative --, therefor.

Signed and Sealed this
Twenty-second Day of September, 2015



Michelle K. Lee
Director of the United States Patent and Trademark Office