



US00D705122S

(12) **United States Design Patent**  
**Nykoluk**

(10) **Patent No.:** **US D705,122 S**

(45) **Date of Patent:** **\*\* May 20, 2014**

(54) **LOAD BEARING, QUICK-RELEASE BUCKLE WITH NARROW LEAD BUCKLE TO FIT THROUGH BELT LOOPS**

D621,743 S \* 8/2010 Hortnagl ..... D11/216  
D621,744 S \* 8/2010 Hortnagl ..... D11/218  
D627,684 S \* 11/2010 Curtis et al. .... D11/216

\* cited by examiner

(71) Applicant: **Cory Nykoluk**, Oakdale, CA (US)

*Primary Examiner* — Ralf Seifert

(72) Inventor: **Cory Nykoluk**, Oakdale, CA (US)

(74) *Attorney, Agent, or Firm* — Thomas M. Freiburger

(73) Assignee: **5.11 Inc.**, Modesto, CA (US)

(57) **CLAIM**

(\*\*) Term: **14 Years**

The ornamental design for a load bearing, quick-release buckle with narrow lead buckle to fit through belt loops, substantially as shown and described.

(21) Appl. No.: **29/445,698**

**DESCRIPTION**

(22) Filed: **Feb. 14, 2013**

(51) **LOC (10) Cl.** ..... **02-07**

(52) **U.S. Cl.**  
USPC ..... **D11/216**

(58) **Field of Classification Search**  
USPC ..... D11/1, 2, 200–219, 222–237; 24/163 R,  
24/169–171, 173, 177–179, 191, 194–195,  
24/197, 200, 614–616, 625  
See application file for complete search history.

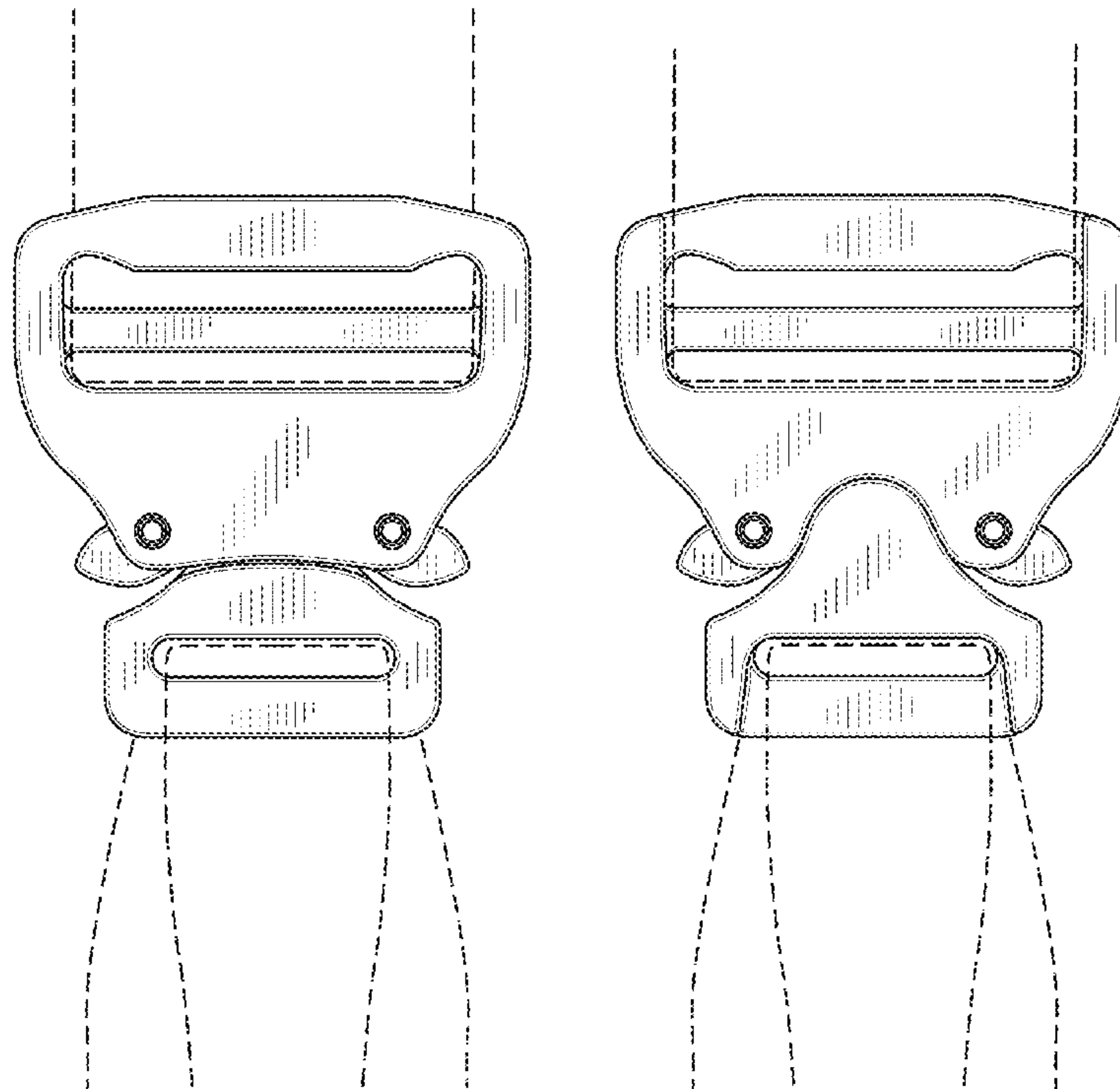
FIG. 1 is a perspective frontal view showing a load bearing, quick-release buckle with narrow lead buckle to fit through belt loops according to my new design; FIG. 2 is a perspective rear view thereof; FIG. 3 is a top plan view thereof, the bottom view being a mirror image; FIG. 4 is a front elevation view thereof; FIG. 5 is a rear elevation view thereof; FIG. 6 is an end view thereof; and, FIG. 7 is an opposite end view thereof. The broken line showing of a belt strap is included for the purpose of illustrating environment matter and forms no part of the claimed design.

(56) **References Cited**

**U.S. PATENT DOCUMENTS**

D292,192 S \* 10/1987 Kasai ..... D11/216  
D444,100 S \* 6/2001 Kelleghan ..... D11/216

**1 Claim, 2 Drawing Sheets**



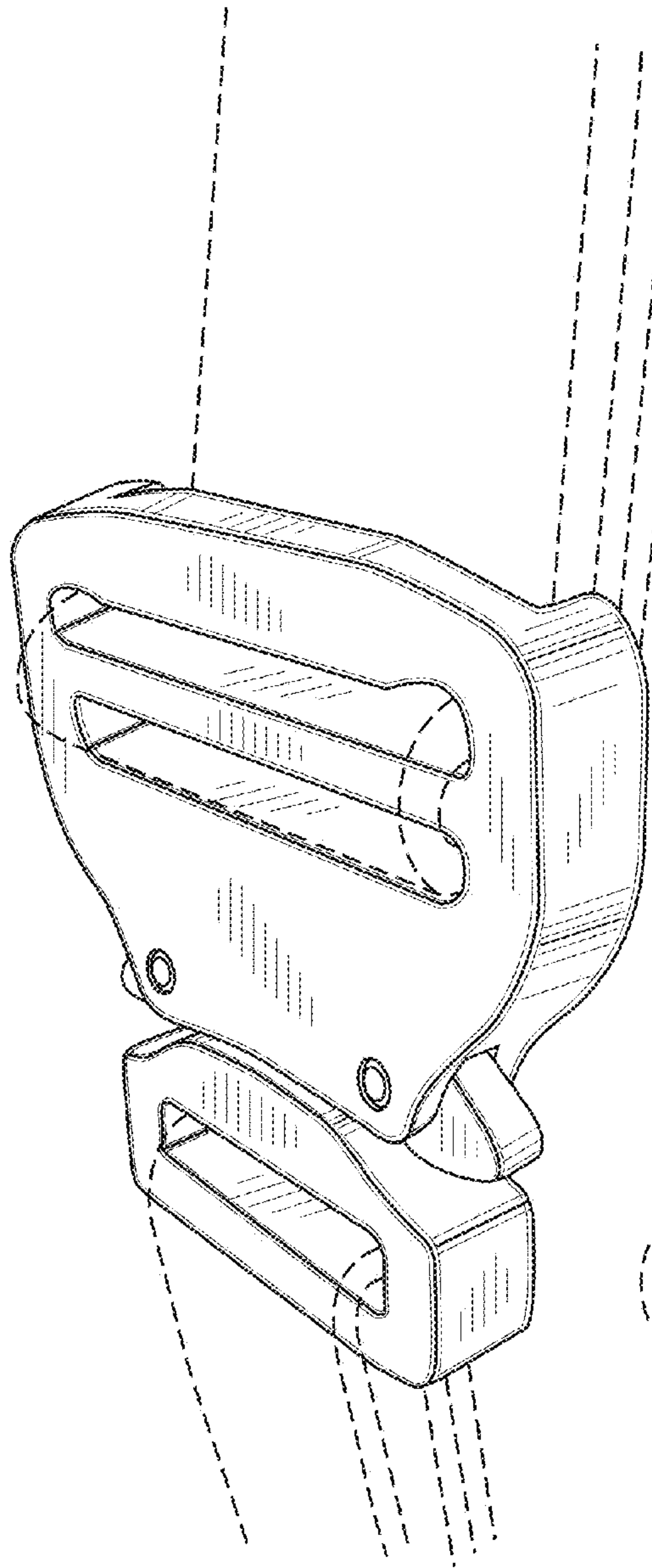


FIG. 1

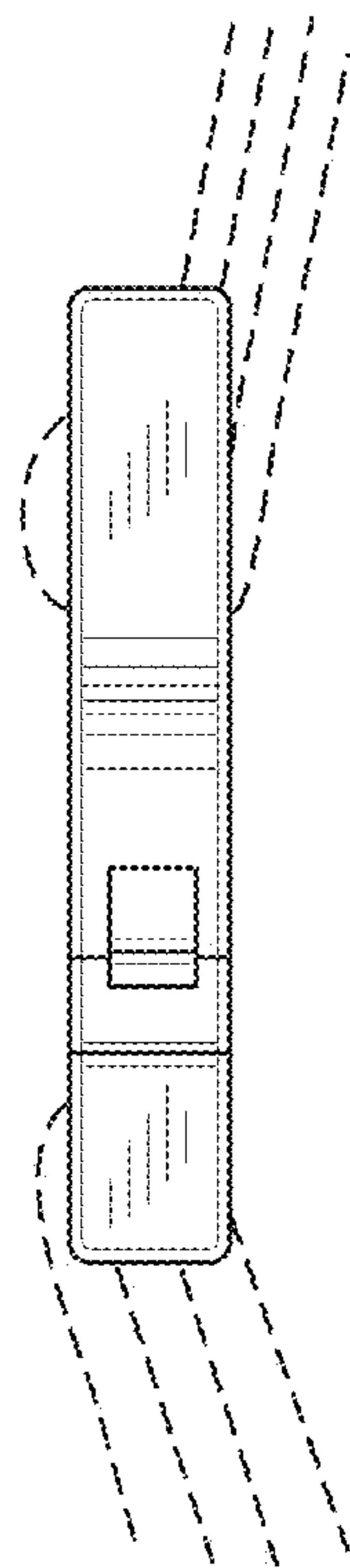


FIG. 3

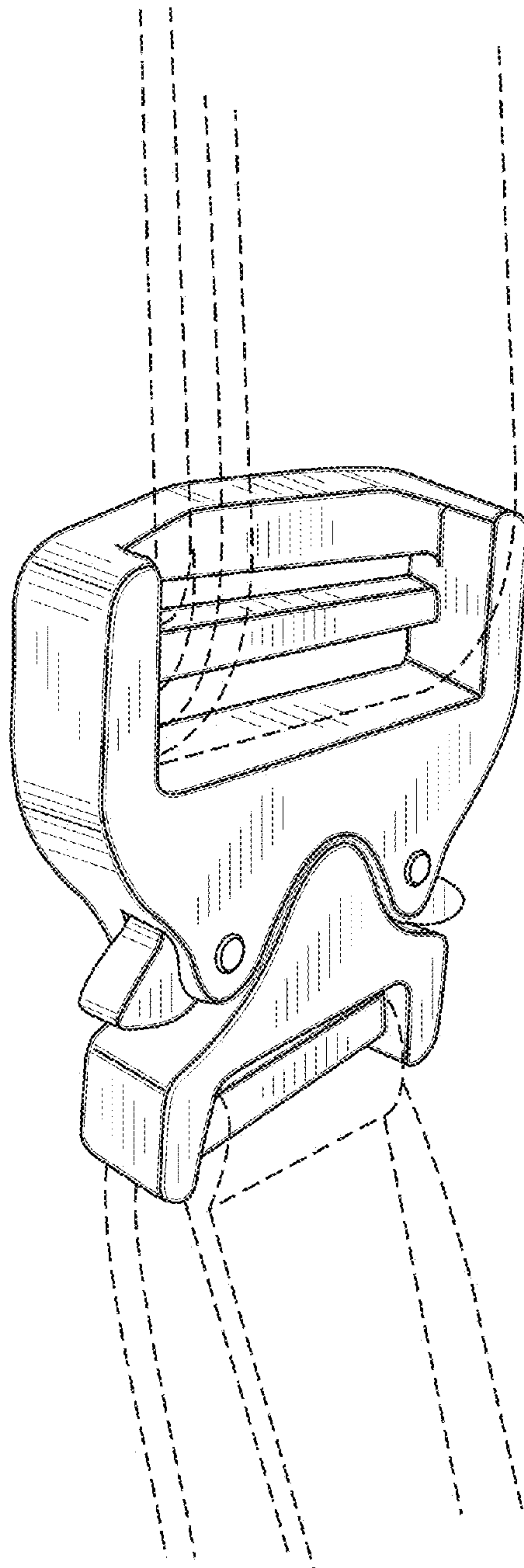


FIG. 2

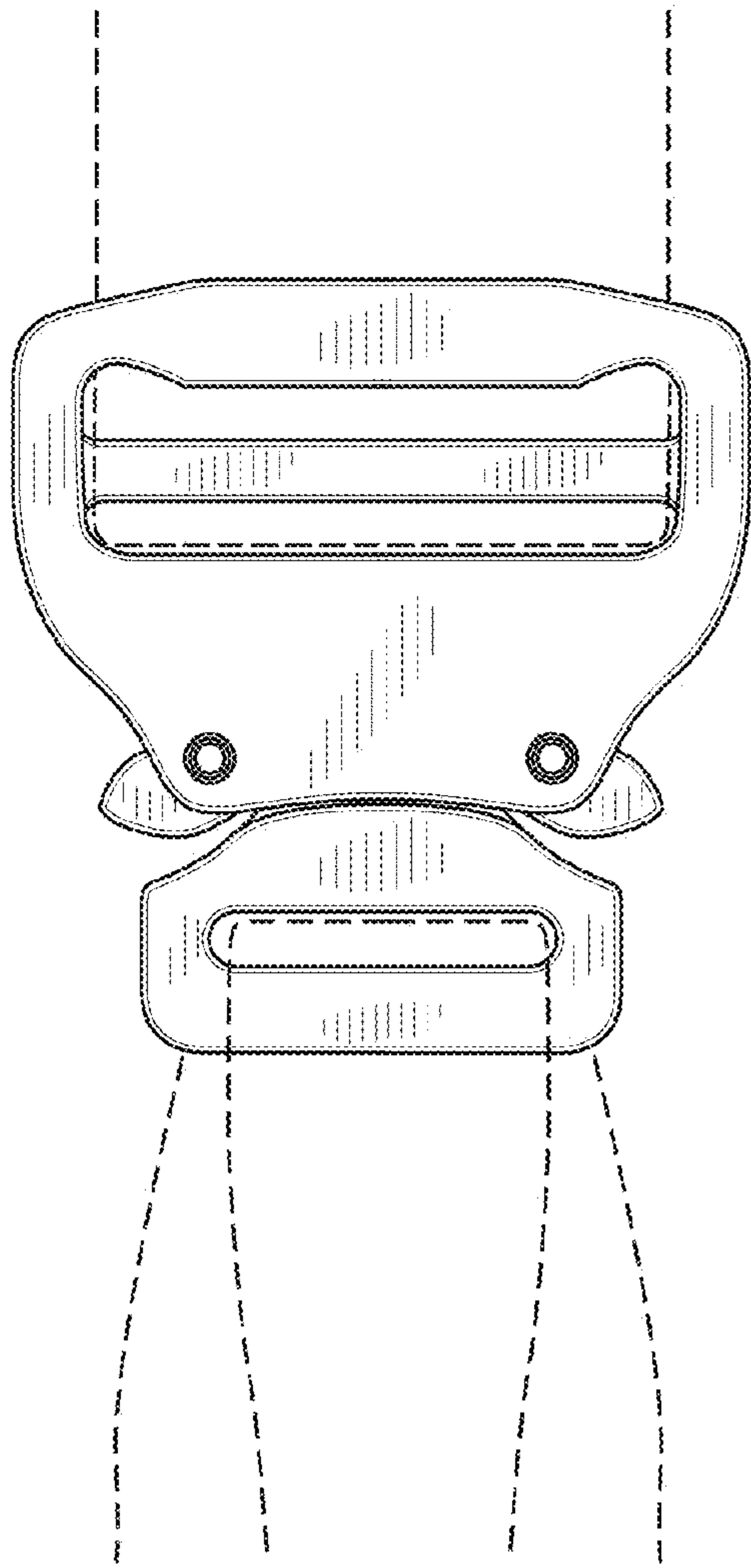


FIG. 4



FIG. 6

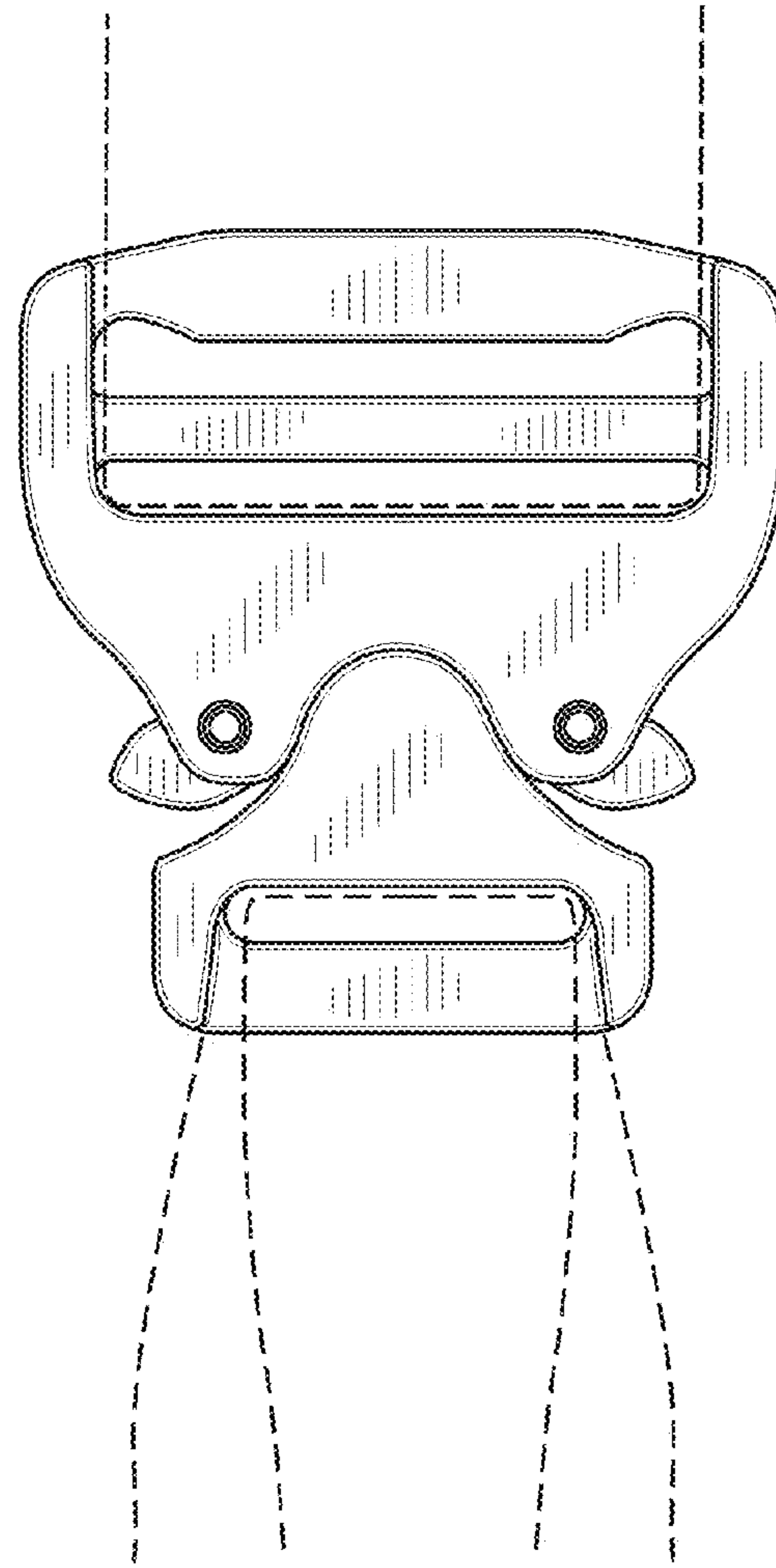


FIG. 5

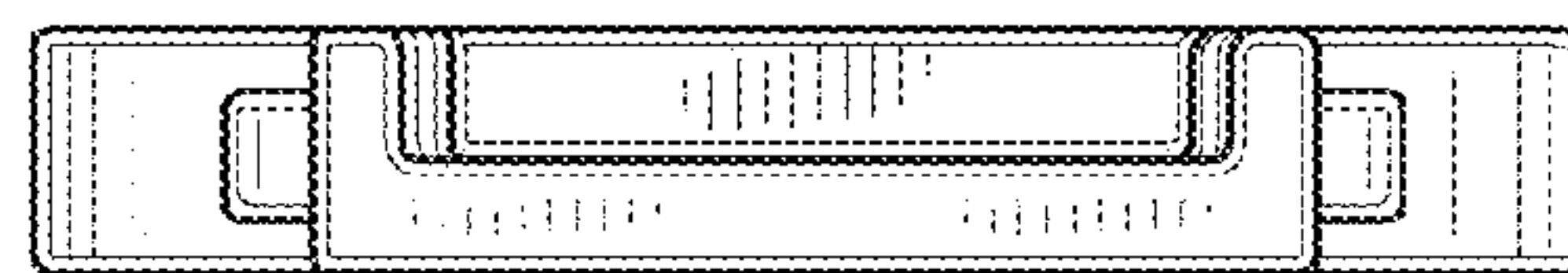


FIG. 7