



US00D705110S

(12) **United States Design Patent**
Wray

(10) **Patent No.:** **US D705,110 S**

(45) **Date of Patent:** **** May 20, 2014**

(54) **TRAFFIC CONE HOLDER**

(71) Applicant: **Timothy Wray**, East Northport, NY
(US)

(72) Inventor: **Timothy Wray**, East Northport, NY
(US)

(**) Term: **14 Years**

(21) Appl. No.: **29/459,649**

(22) Filed: **Jul. 2, 2013**

(51) **LOC (10) Cl.** **10-05**

(52) **U.S. Cl.**
USPC **D10/121**

(58) **Field of Classification Search**
USPC D10/121, 113.2–113.4; 404/6, 9, 10;
116/200; 414/551; 221/185
See application file for complete search history.

(56) **References Cited**

U.S. PATENT DOCUMENTS

1,412,128	A	4/1922	Maurer	
4,219,141	A	8/1980	Lovy	
5,525,021	A *	6/1996	Larguier	414/551
6,435,369	B1 *	8/2002	Poursayadi	221/185

6,752,582	B2	6/2004	Garcia	
7,124,892	B2	10/2006	Garcia	
8,500,360	B1 *	8/2013	Jones	404/9

* cited by examiner

Primary Examiner — George D Kirschbaum

(74) *Attorney, Agent, or Firm* — Michael J. Feigin, Esq.;
Feigin & Associates, LLC. <http://PatentLawNY.com>

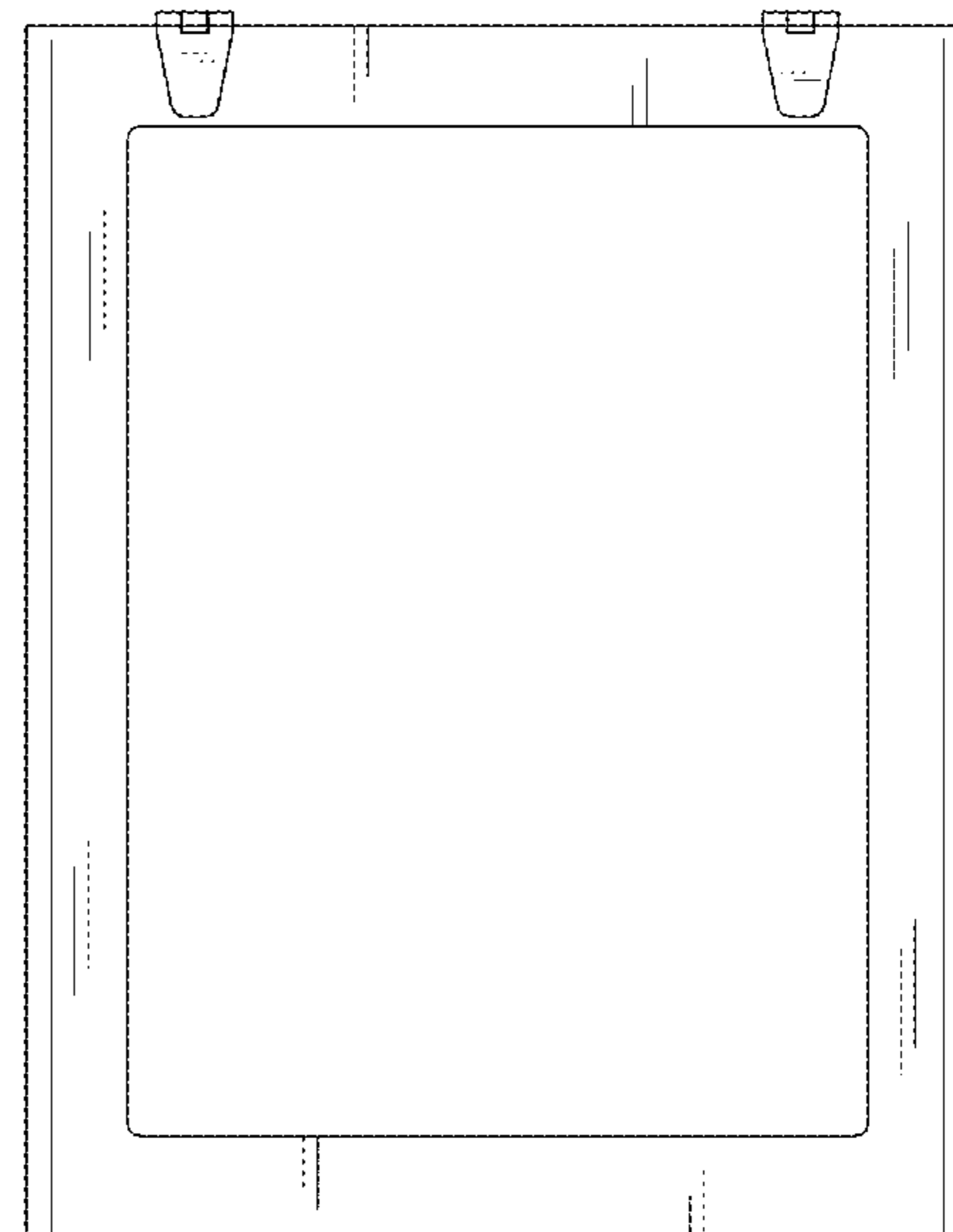
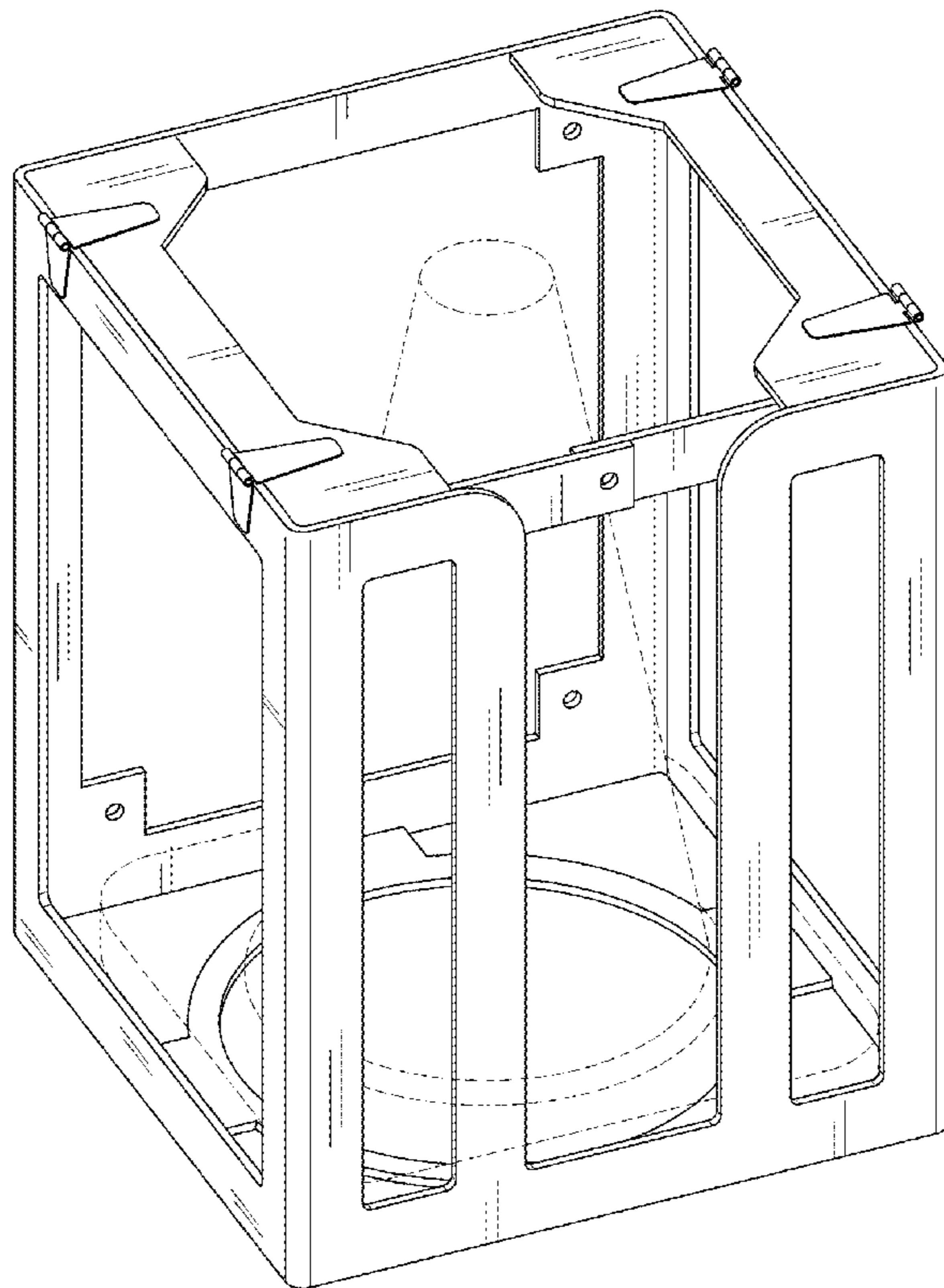
(57) **CLAIM**

The ornamental design for the traffic cone holder, as shown and described.

DESCRIPTION

FIG. 1 shows a top perspective view of a traffic cone holder. FIG. 2 shows a bottom perspective view thereof. FIG. 3 shows a front elevation view thereof. FIG. 4 shows a rear elevation view thereof. FIG. 5 shows a top plan view thereof. FIG. 6 shows a bottom plan view thereof; and, FIG. 7 shows a side elevation view thereof, the opposing side elevation view being a mirror thereof. The broken lines shown in the drawings illustrate a traffic cone for illustration purposes only, and form no part of the claimed design.

1 Claim, 7 Drawing Sheets



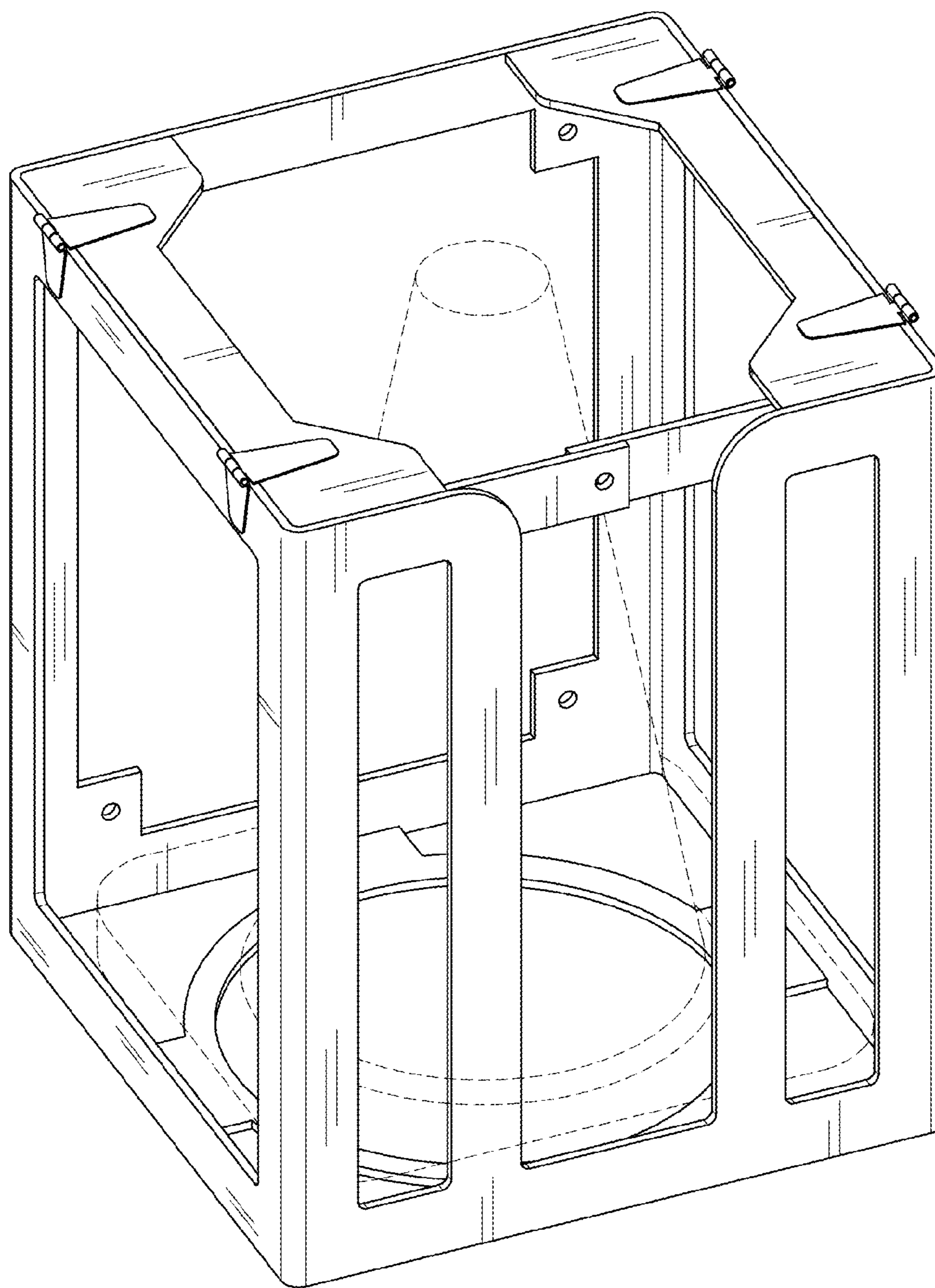


FIG. 1

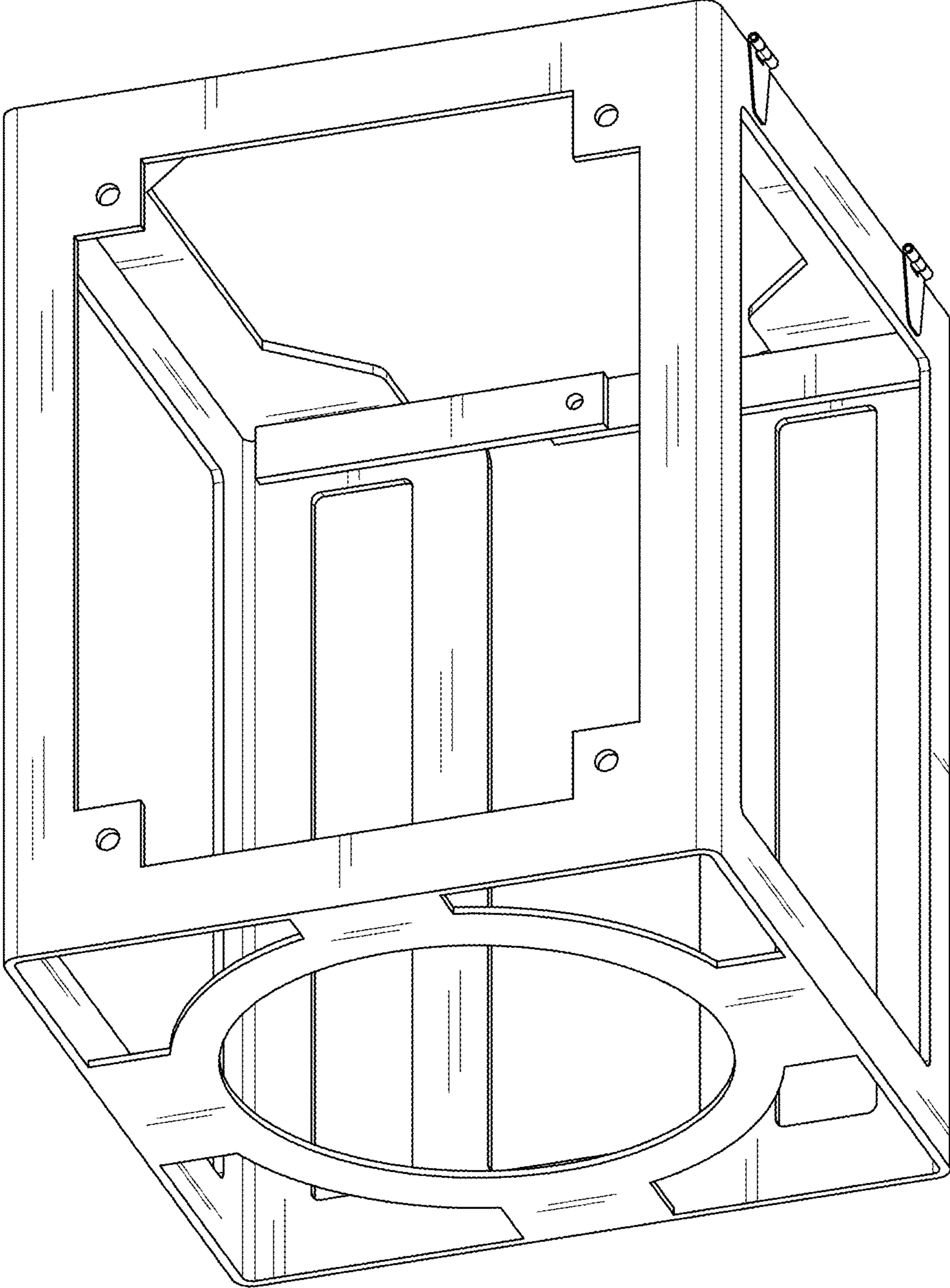


FIG. 2

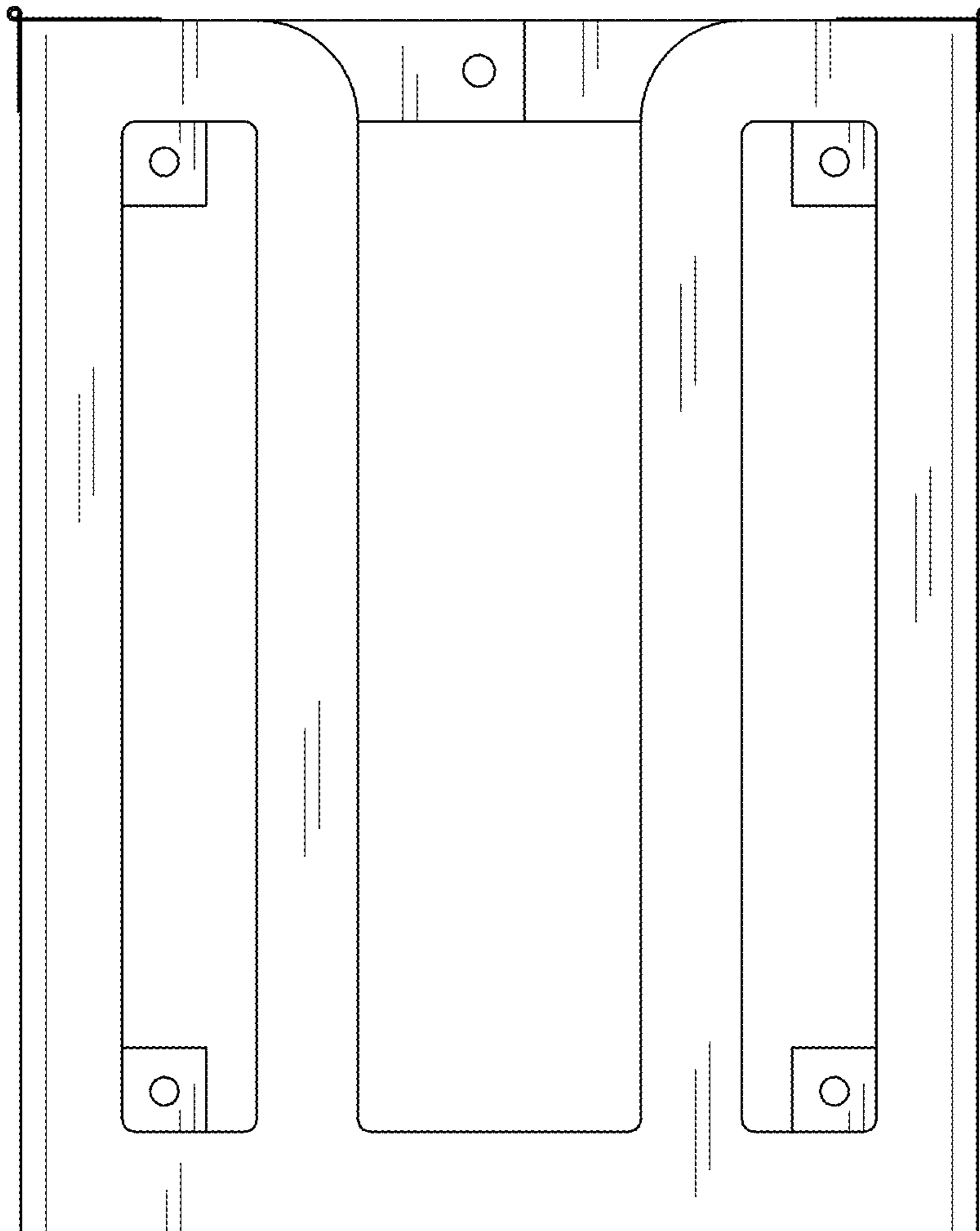


FIG. 3

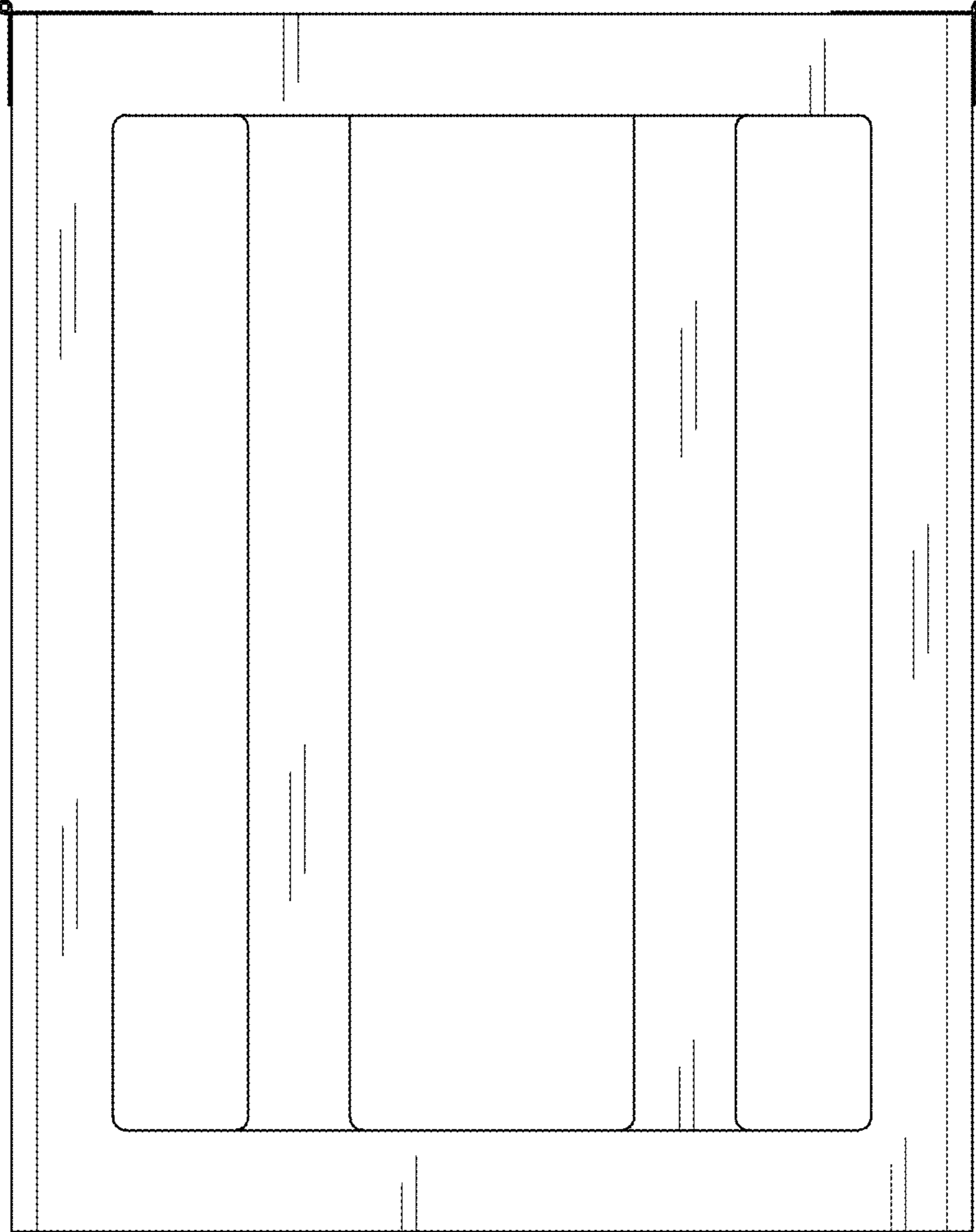


FIG. 4

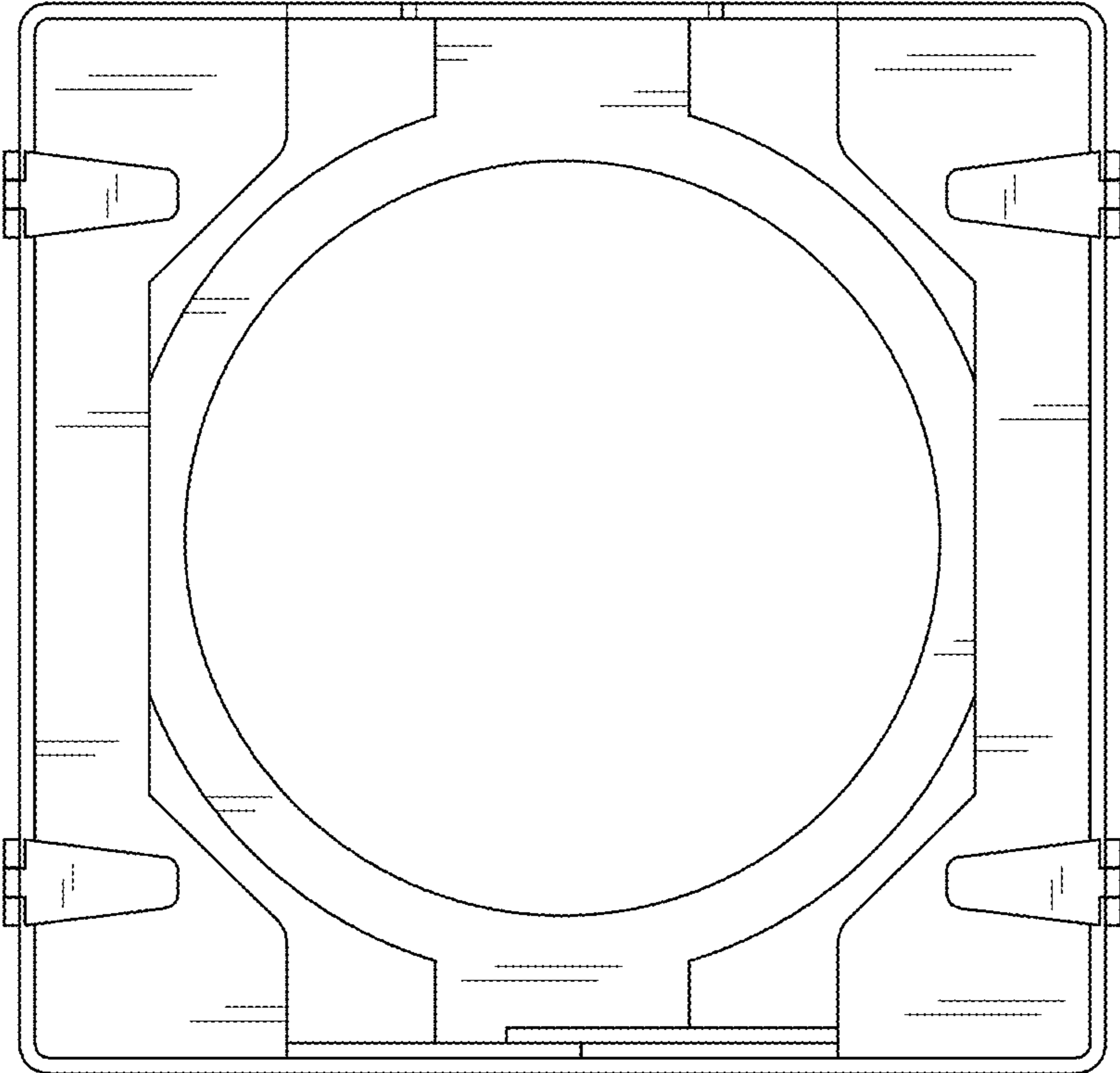


FIG. 5

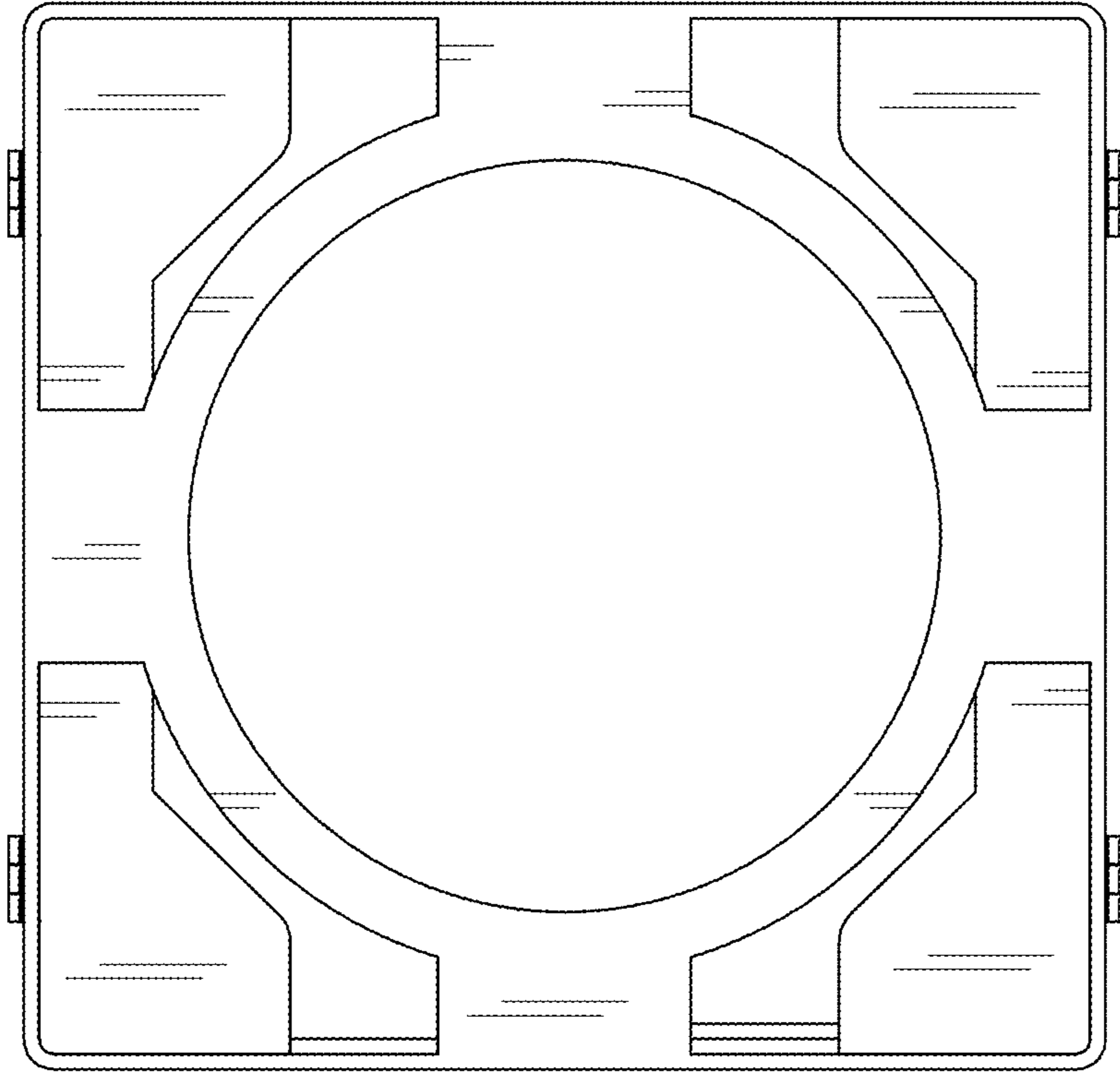


FIG. 6

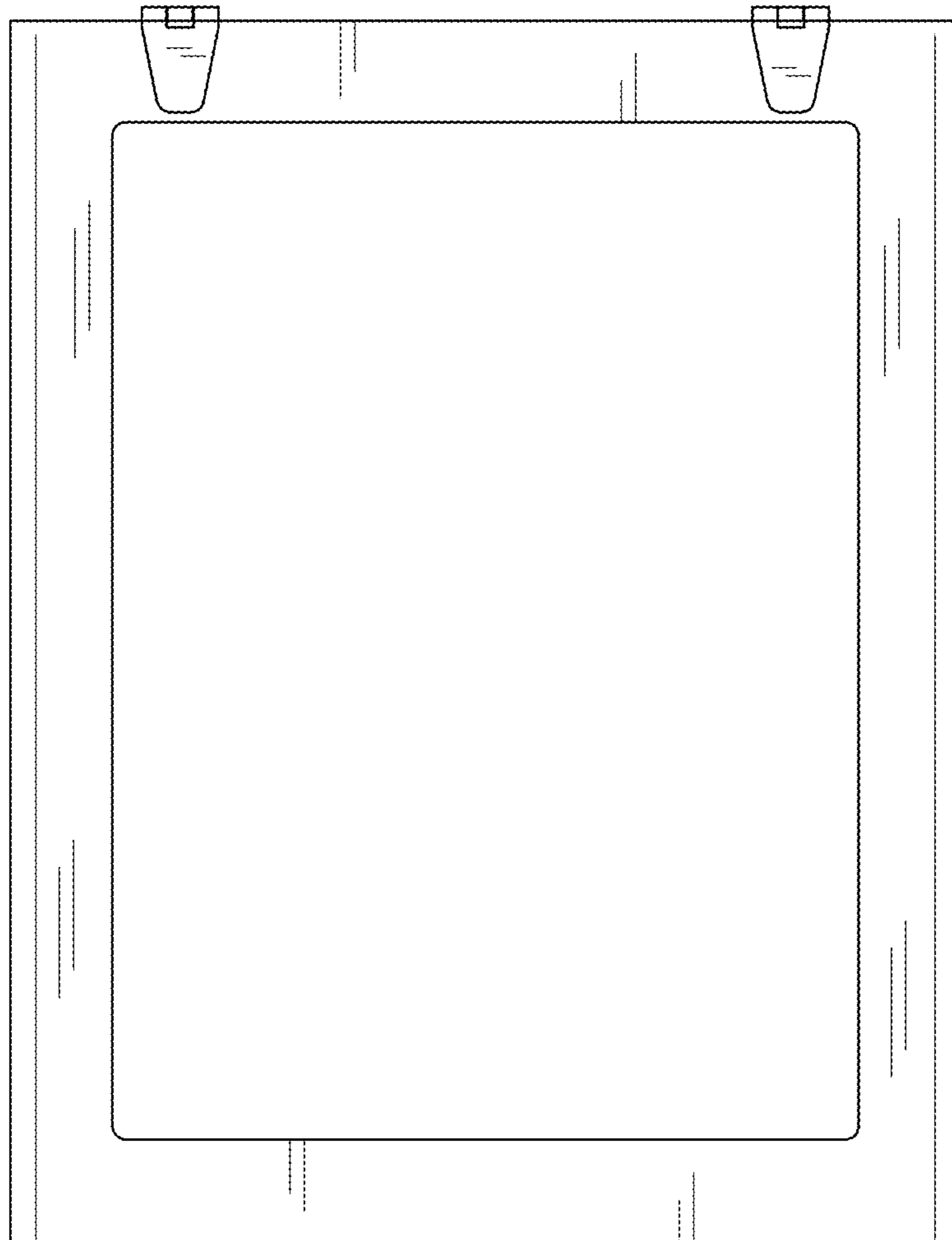


FIG. 7