



US00D705107S

(12) **United States Design Patent**
Corso et al.

(10) **Patent No.:** **US D705,107 S**
(45) **Date of Patent:** **** May 20, 2014**

(54) **WIRELESS BILL TRAP**

(75) Inventors: **Daniel Anthony Corso**, Macedon, NY (US); **James Bruce Thornton**, Webster, NY (US); **Michael Earl Reimer**, Batavia, NY (US)

(73) Assignee: **Robert Bosch GmbH**, Stuttgart (DE)

(**) Term: **14 Years**

(21) Appl. No.: **29/416,398**

(22) Filed: **Mar. 21, 2012**

(51) **LOC (10) Cl.** **10-05**

(52) **U.S. Cl.**

USPC **D10/106.9**; D10/106.1

(58) **Field of Classification Search**

USPC D10/1-4, 15, 21, 23, 25, 27-29, 41, D10/46-48, 52-53, 60, 87-89, 103, 106, D10/106.1-106.6, 106.9, 108, 118; D14/356, 365; 109/38; 116/75; 200/61.61, 61.59; 340/570

See application file for complete search history.

(56) **References Cited**

U.S. PATENT DOCUMENTS

3,036,298	A *	5/1962	Schiller	340/570
3,569,644	A *	3/1971	Brugger et al.	200/61.59
3,725,893	A *	4/1973	Malta et al.	340/570
5,512,877	A *	4/1996	Gels et al.	200/61.61
D382,735	S *	8/1997	Zapf	D7/554.3
D514,590	S *	2/2006	Naruki	D14/203.3
7,116,226	B1 *	10/2006	Pollard	200/61.61
D541,272	S *	4/2007	Wang	D14/356
D635,536	S *	4/2011	Xiao	D14/203.3
D647,920	S *	11/2011	Luo	D14/203.3

D658,647	S *	5/2012	Tsai	D14/356
D661,211	S *	6/2012	Hou	D10/104.1
D680,458	S *	4/2013	Corso et al.	D10/104.1

OTHER PUBLICATIONS

Fujitsu HandyDrive review (400GB) [online]. CBS Interactive Inc, 2009 [retrieved on Nov. 7, 2013]. Retrieved from the Internet: <URL: http://reviews.cnet.com/external-hard-drives/fujitsu-handydrive-400gb/4505-3190_7-33573784.html?tag=cntv>.*

Shiny Video Review: Fujitsu HandyDrive 300GB [online]. shinymedia, 2008 [retrieved on Nov. 7, 2013]. Retrieved from the Internet: <URL: <http://www.youtube.com/watch?v=7QwInuFUwO4>>.*

* cited by examiner

Primary Examiner — Garth Rademaker

Assistant Examiner — John Eberhart

(74) *Attorney, Agent, or Firm* — Michael Best & Friedrich LLP

(57) **CLAIM**

The ornamental design for a wireless bill trap, as shown and described.

DESCRIPTION

FIG. 1 is a bottom, right perspective view of a wireless bill trap;

FIG. 2 is a front view thereof;

FIG. 3 is a rear view thereof;

FIG. 4 is a right side view thereof;

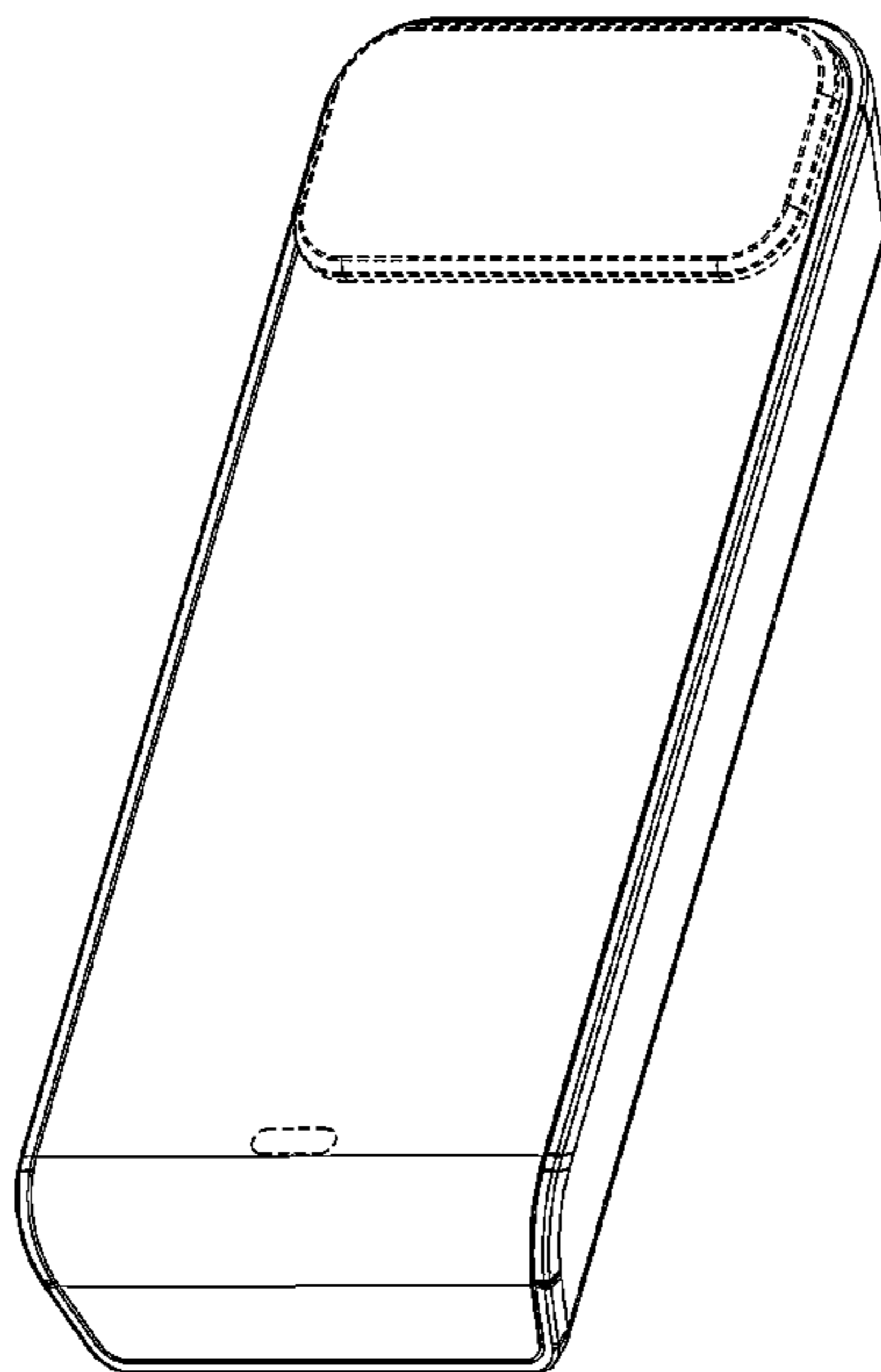
FIG. 5 is a left side view thereof;

FIG. 6 is a top view thereof; and,

FIG. 7 is a bottom view thereof.

Elements shown in the drawings in broken lines form no part of the claimed design, and merely illustrate the environment in which the article embodying the design is used.

1 Claim, 5 Drawing Sheets



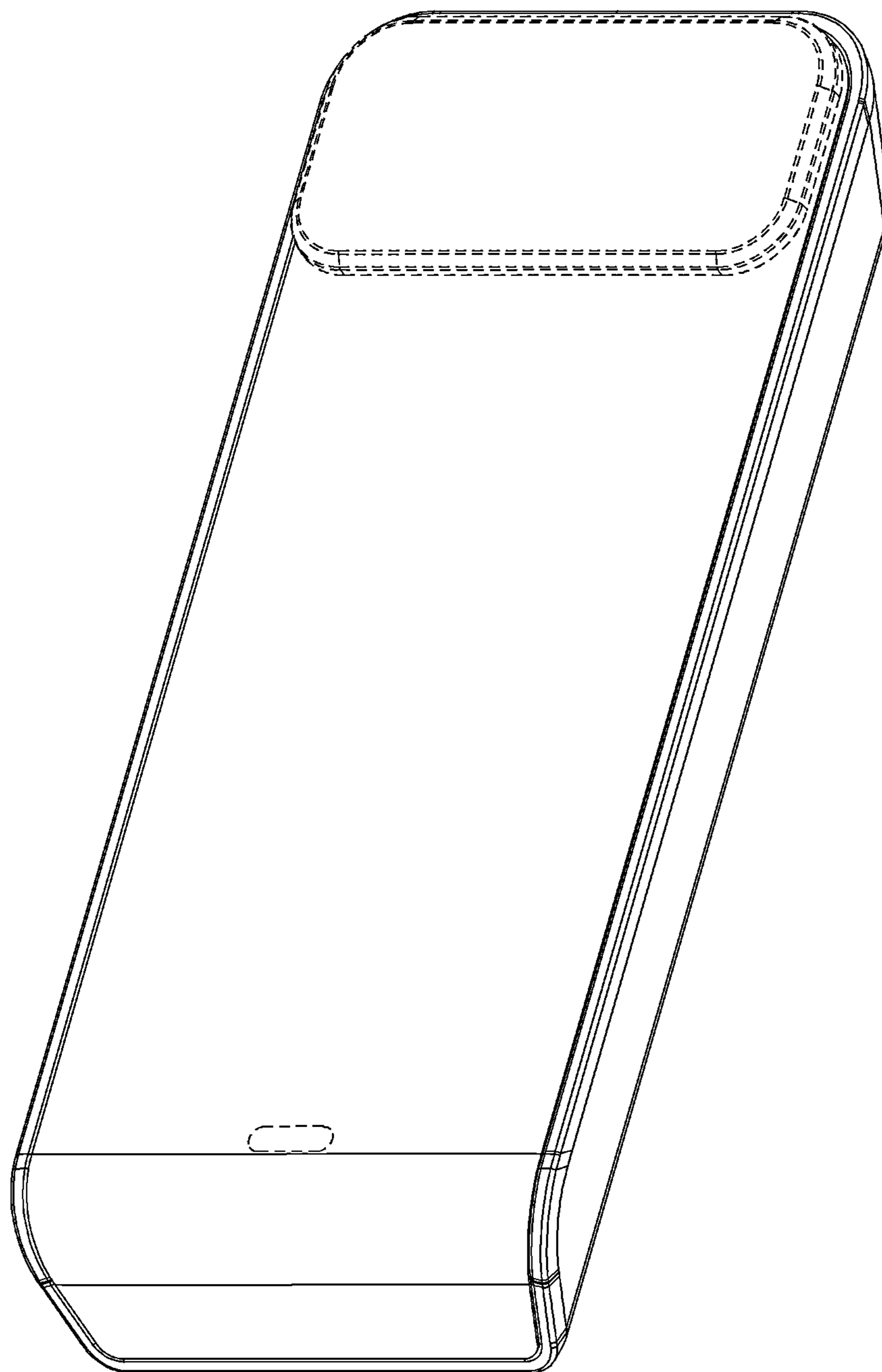


Fig. 1

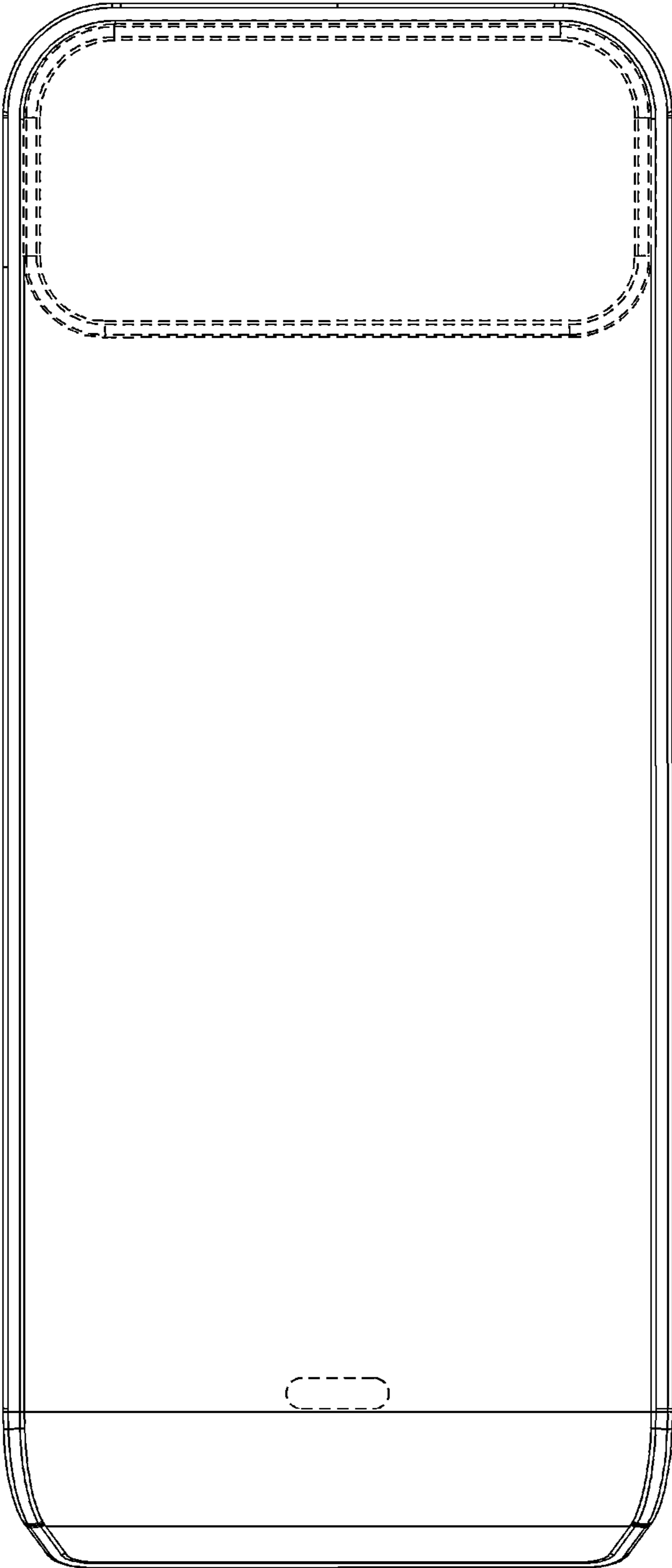


Fig. 2

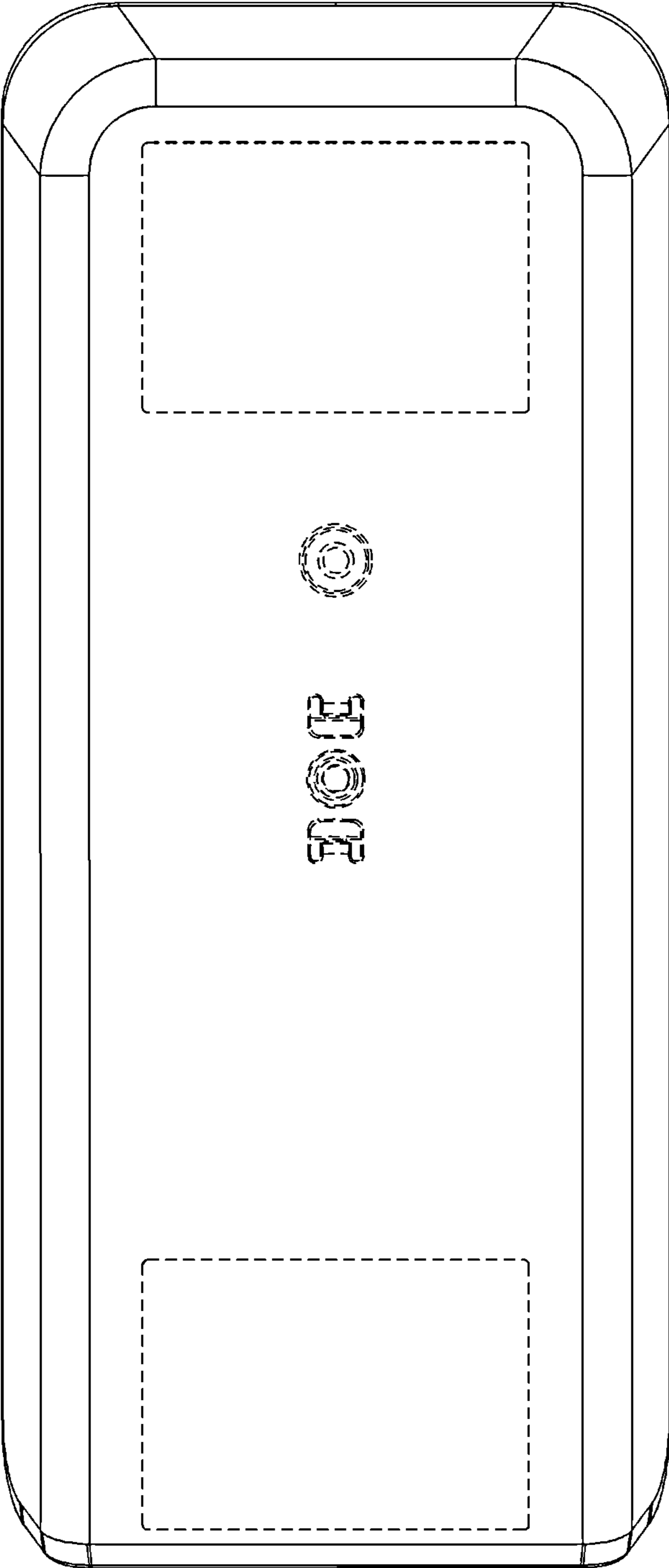


Fig. 3

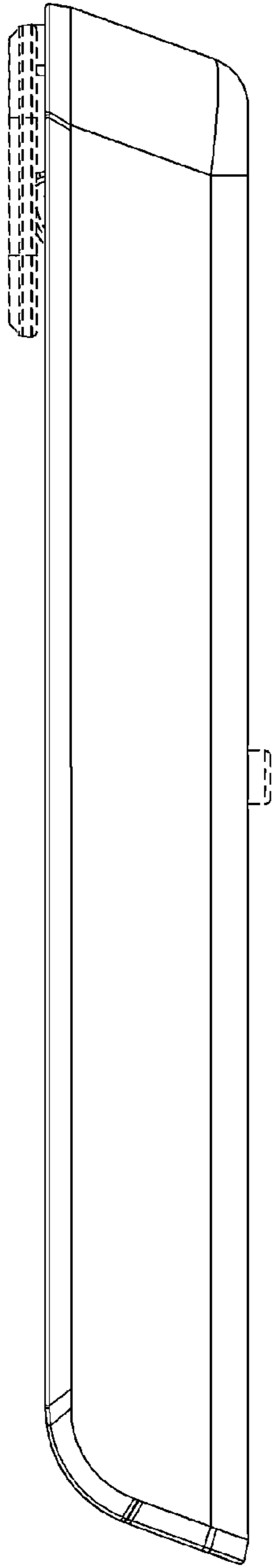


Fig. 4

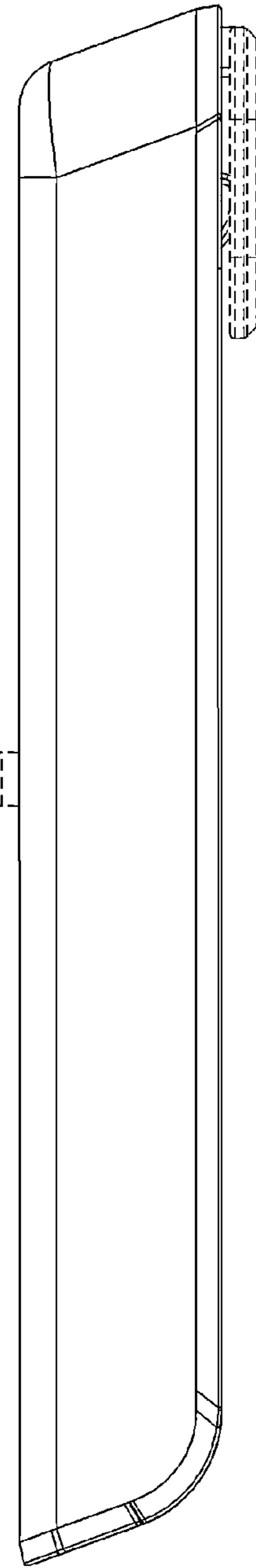


Fig. 5

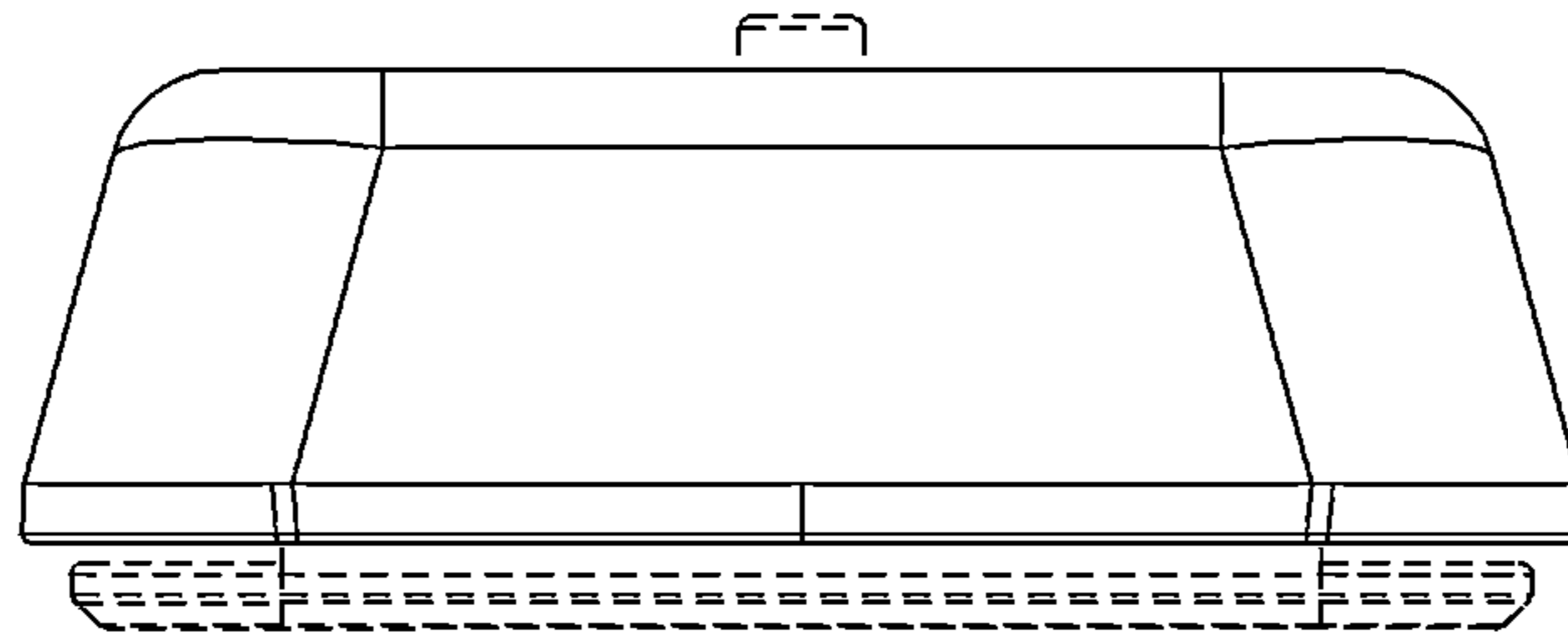


Fig. 6

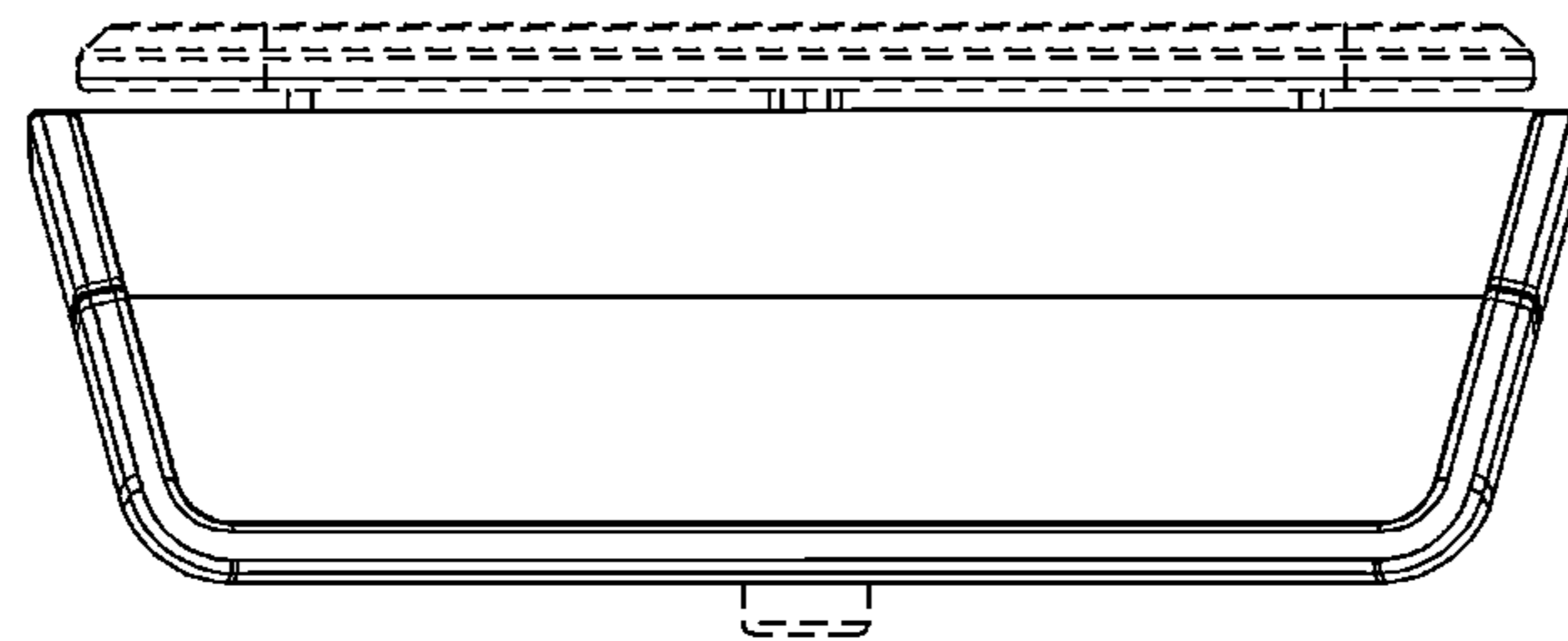


Fig. 7