



US00D705106S

(12) **United States Design Patent**
Asciolla

(10) **Patent No.:** **US D705,106 S**

(45) **Date of Patent:** **** May 20, 2014**

(54) **DRYER EXHAUST DUCT ALARM**

(71) Applicant: **Thomas J. Asciolla**, Monroe Township,
NJ (US)

(72) Inventor: **Thomas J. Asciolla**, Monroe Township,
NJ (US)

(**) Term: **14 Years**

(21) Appl. No.: **29/469,344**

(22) Filed: **Oct. 9, 2013**

(51) **LOC (10) Cl.** **10-05**

(52) **U.S. Cl.**
USPC **D10/106.1**

(58) **Field of Classification Search**
USPC D10/106.1, 109.2, 114.2; D23/393;
285/12, 47; 34/140

See application file for complete search history.

(56) **References Cited**

U.S. PATENT DOCUMENTS

8,256,133	B2 *	9/2012	Asciolla et al.	34/140
2010/0148488	A1 *	6/2010	Homola	285/12
2010/0156091	A1 *	6/2010	Boncalo et al.	285/47

* cited by examiner

Primary Examiner — George D Kirschbaum
(74) *Attorney, Agent, or Firm* — Douglas Baldwin

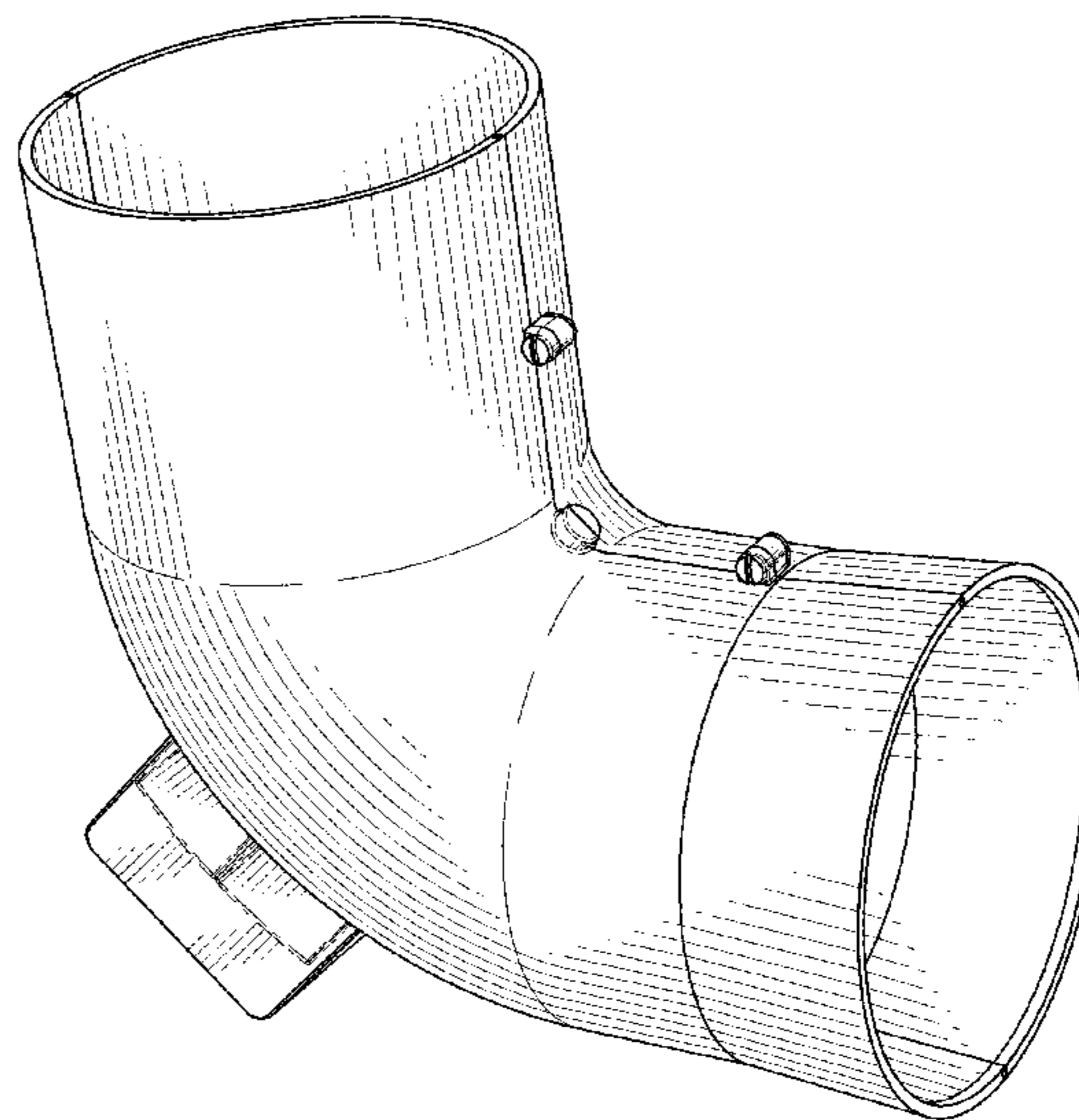
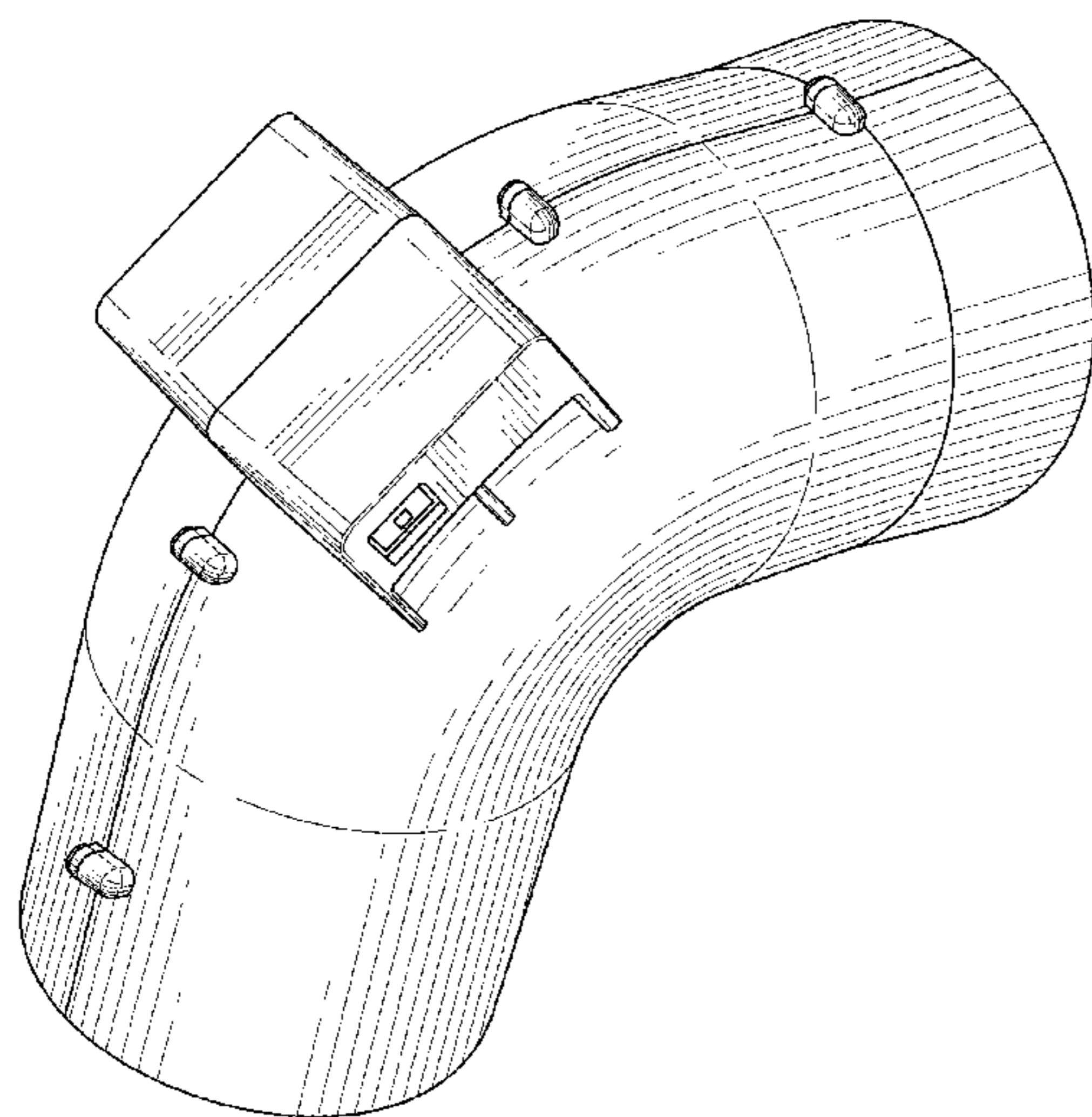
(57) **CLAIM**

I claim the ornamental design for a dryer exhaust duct alarm,
as shown.

DESCRIPTION

FIG. 1 is an isometric view of a top view showing my design.
FIG. 2 is an isometric view of the underside of my design
FIG. 3 is a top elevation view.
FIG. 4 is a bottom elevation view.
FIG. 5 is another top elevation view.
FIG. 6 is another bottom elevation view.
FIG. 7 is a side elevation view; and,
FIG. 8 is a side elevation view.

1 Claim, 6 Drawing Sheets



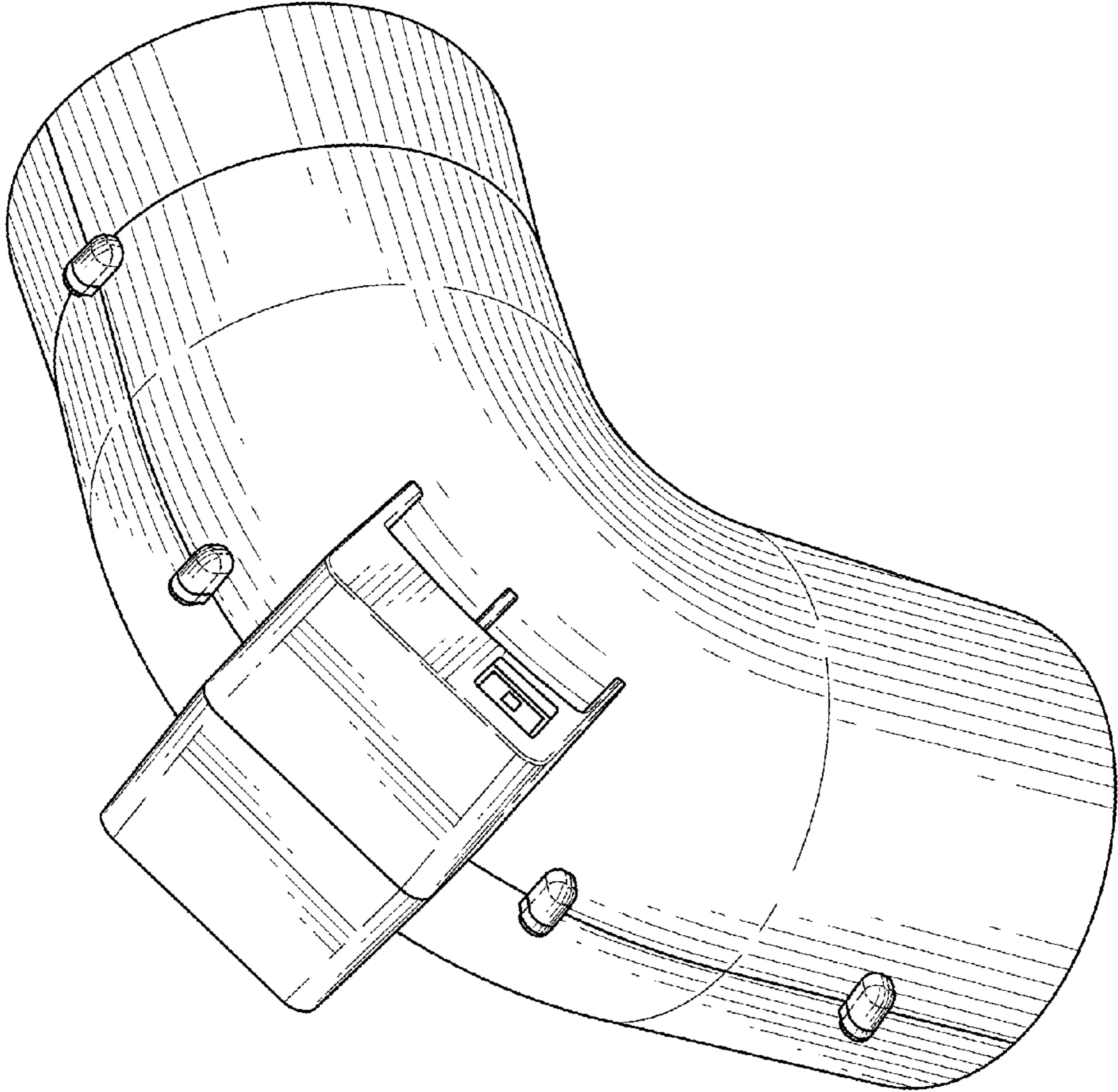


FIG. 1

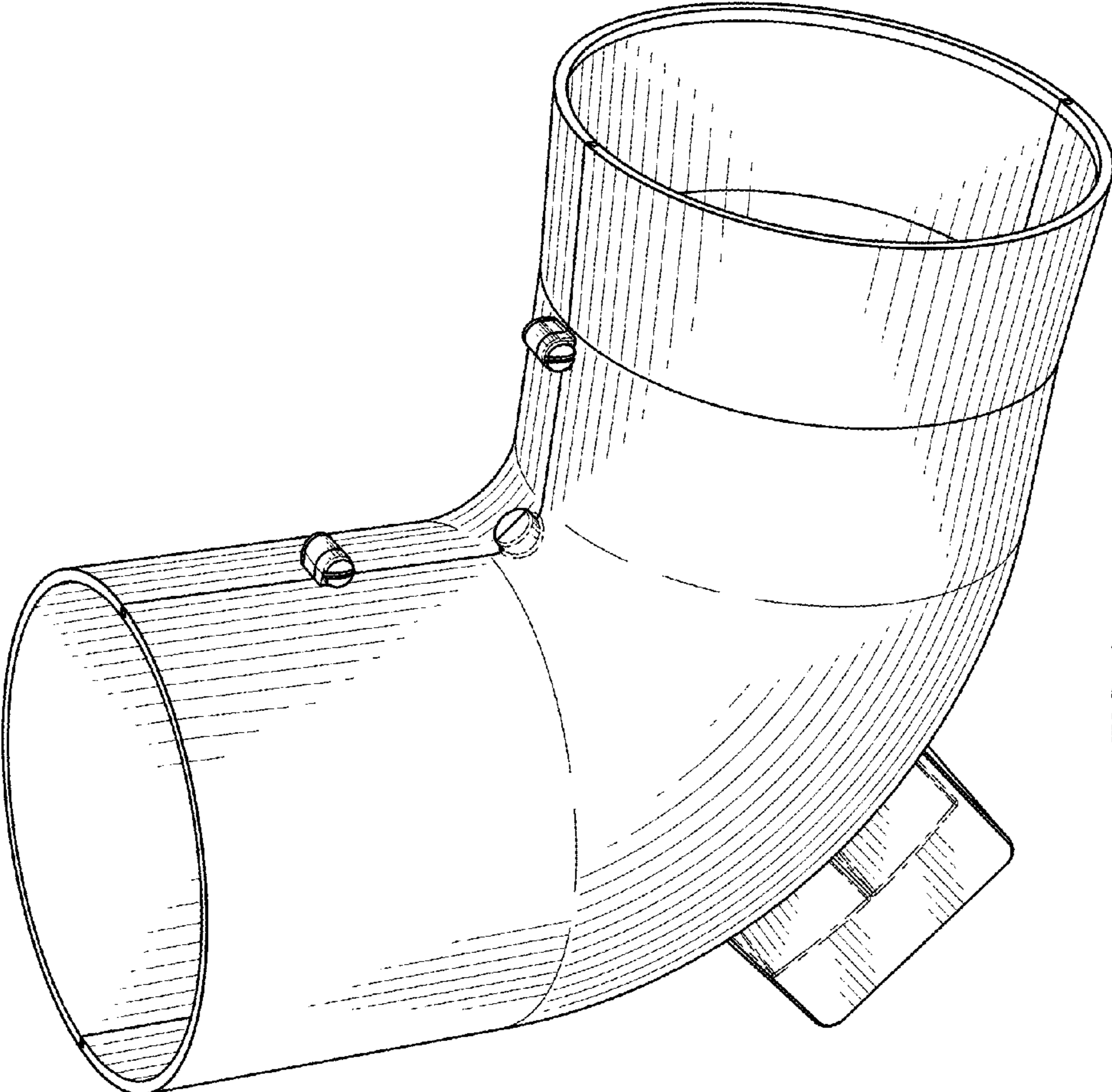


FIG. 2

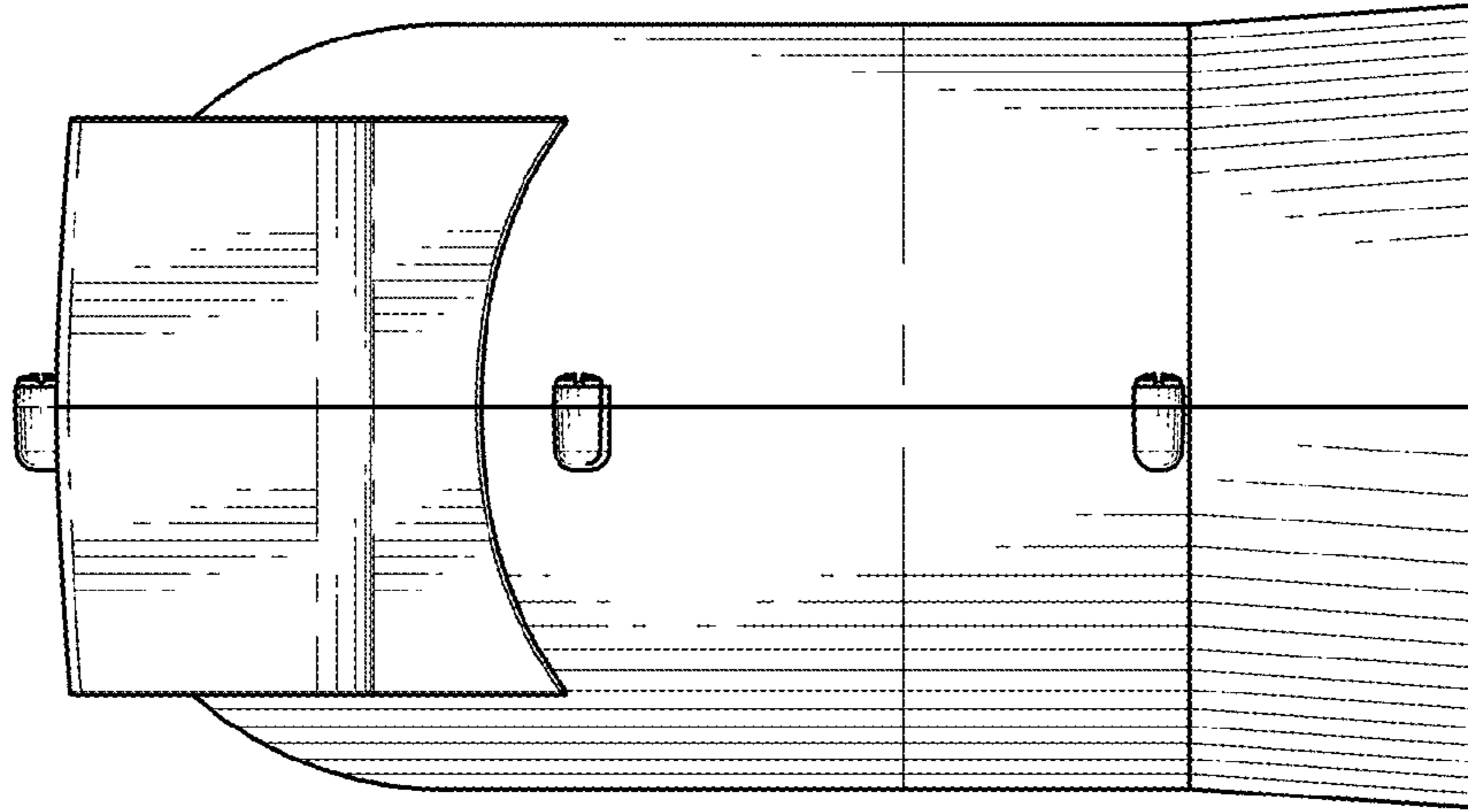


FIG. 3

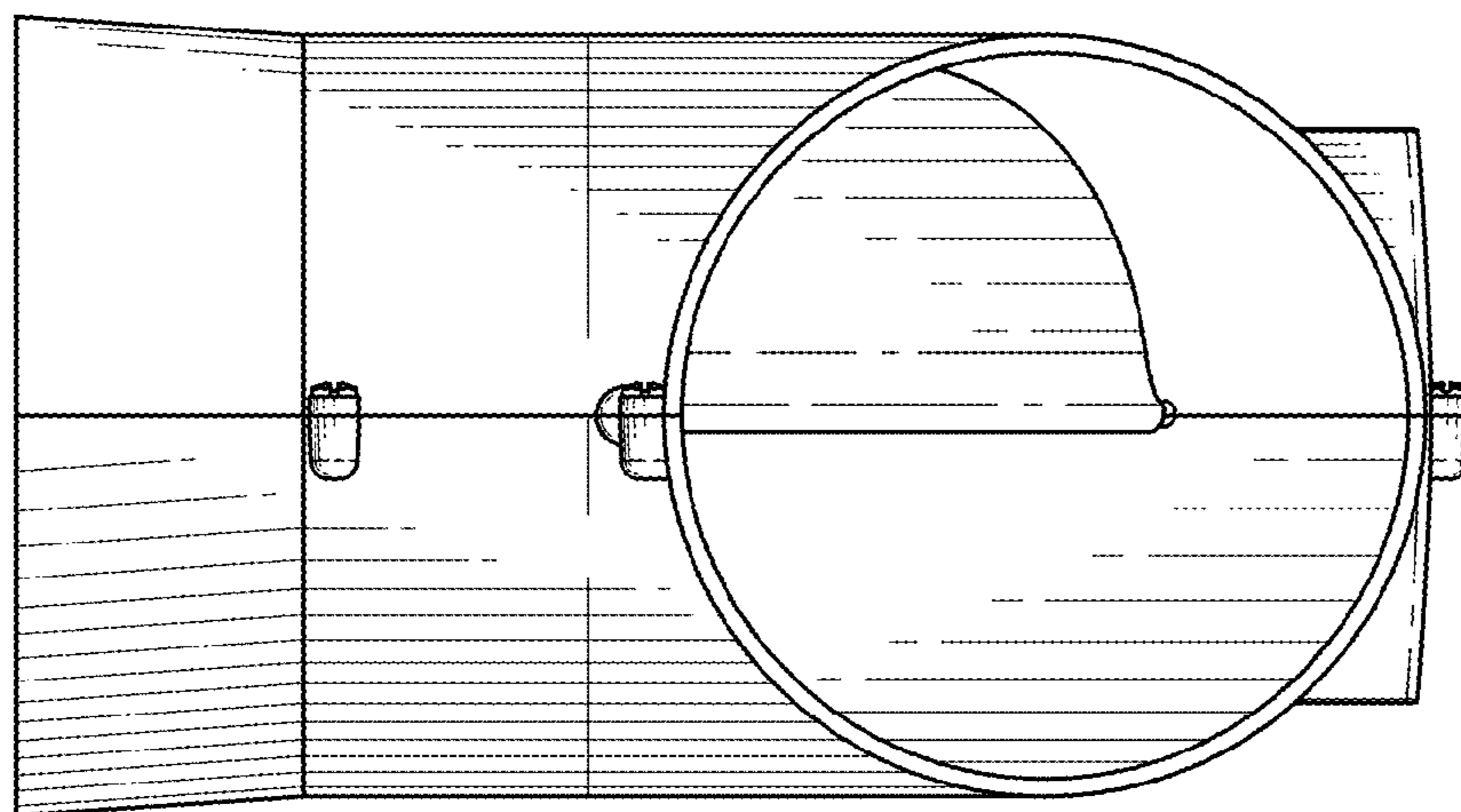


FIG. 4

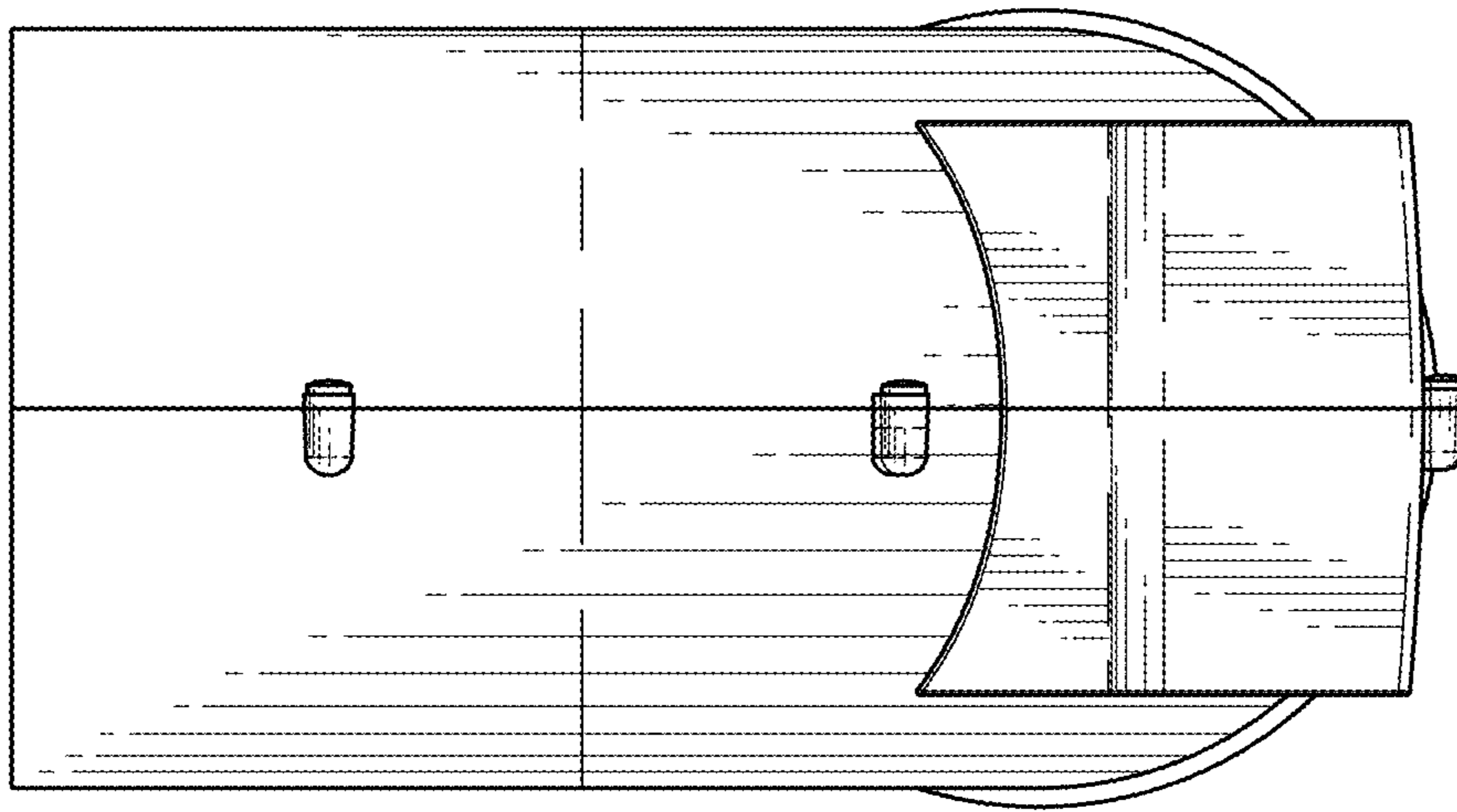


FIG. 5

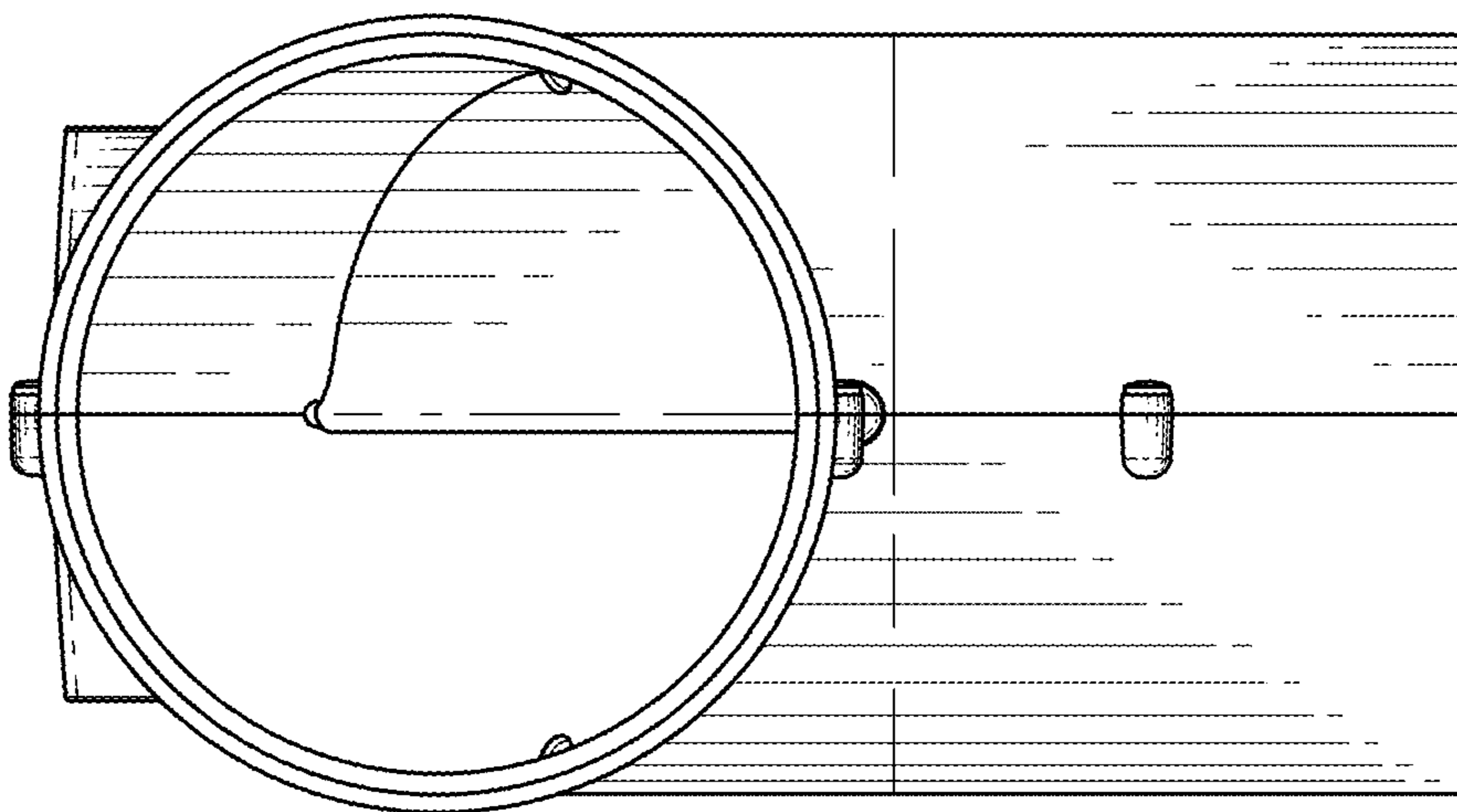


FIG. 6

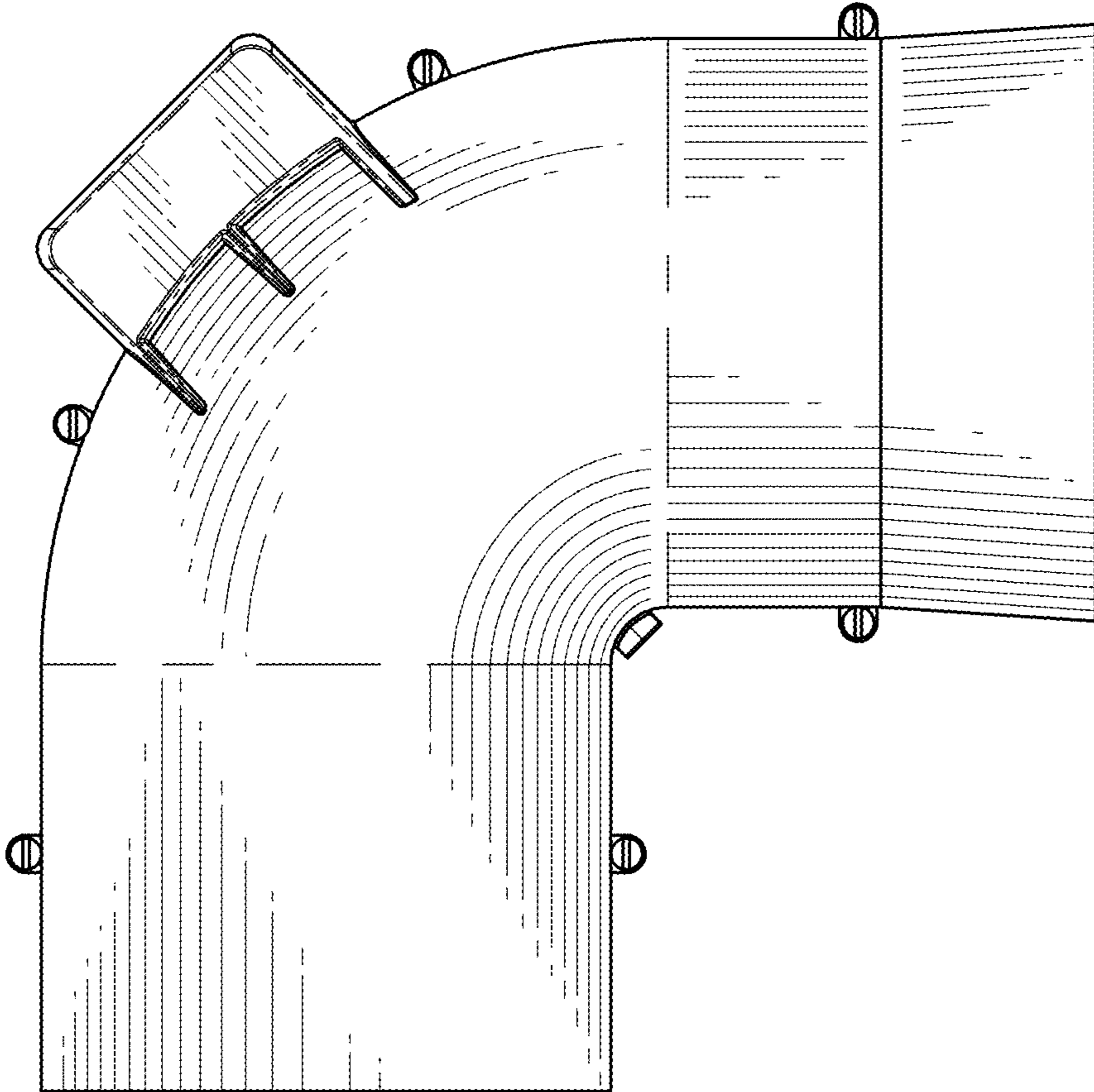


FIG. 7

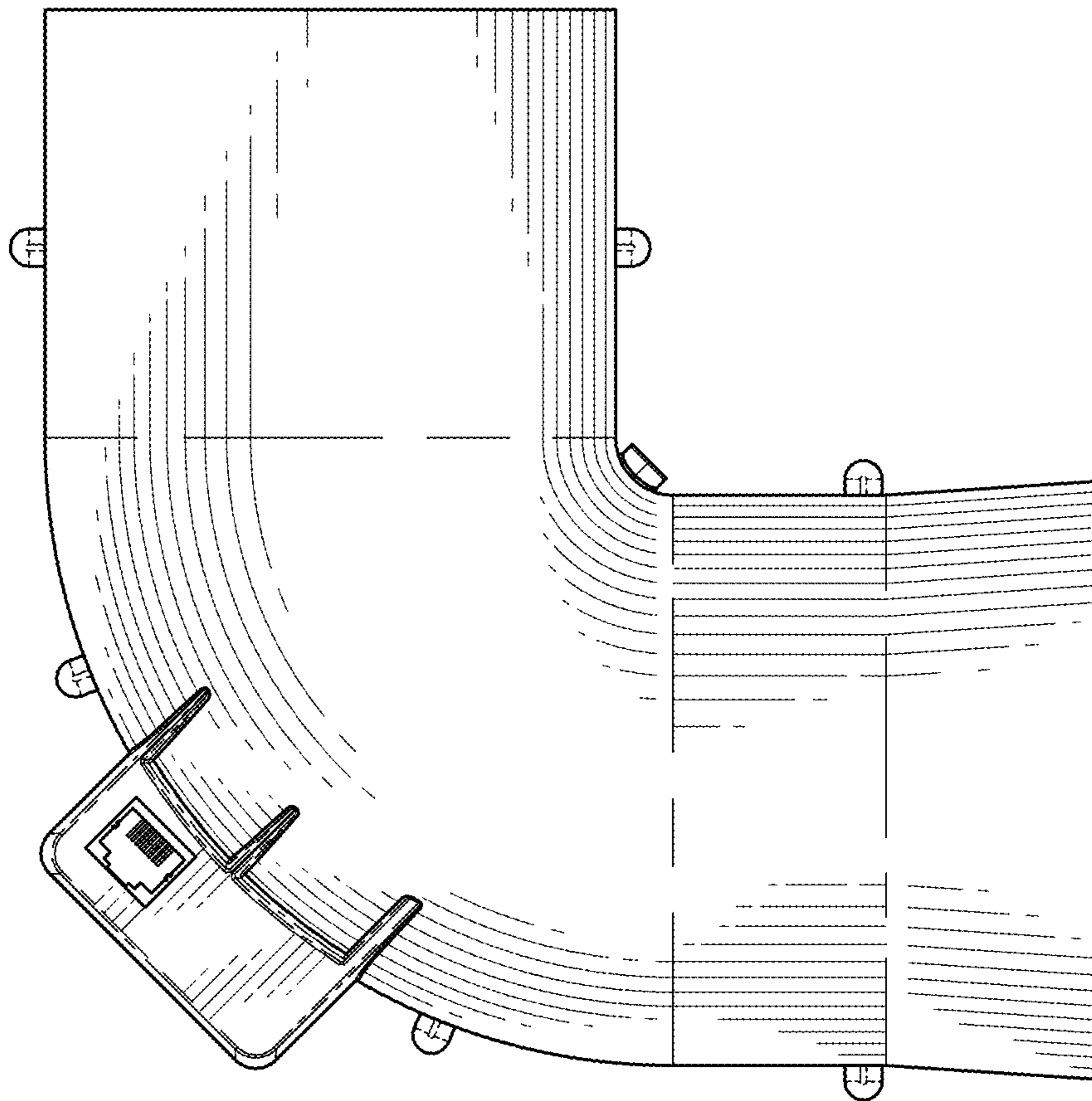


FIG. 8