



US00D705105S

(12) **United States Design Patent**  
**Solstad**

(10) **Patent No.:** **US D705,105 S**

(45) **Date of Patent:** **\*\* May 20, 2014**

(54) **CLIP ALARM**

(71) Applicant: **Jorgen Solstad**, Oslo (NO)

(72) Inventor: **Jorgen Solstad**, Oslo (NO)

(73) Assignee: **Unikia AS** (NO)

(\*\*) Term: **14 Years**

(21) Appl. No.: **29/469,045**

(22) Filed: **Oct. 7, 2013**

(30) **Foreign Application Priority Data**

Apr. 8, 2013 (NO) ..... 20130345

(51) **LOC (10) Cl.** ..... **10-05**

(52) **U.S. Cl.**  
USPC ..... **D10/106.1**

(58) **Field of Classification Search**  
USPC ..... D10/106.1, 109.2, 114.2; D8/105;  
340/573.1, 568.4, 568.1  
See application file for complete search history.

(56) **References Cited**

**U.S. PATENT DOCUMENTS**

4,837,559 A \* 6/1989 Green, Sr. .... 340/573.1  
5,508,682 A \* 4/1996 Wachsman ..... 340/568.4

D374,190 S \* 10/1996 Yuen ..... D10/109.2  
D419,902 S \* 2/2000 Watanabe ..... D10/114.2  
D446,436 S \* 8/2001 Christianson ..... D8/105  
D605,065 S \* 12/2009 Meziere ..... D10/106.1  
8,164,449 B2 \* 4/2012 Van Tassel ..... 340/568.1

\* cited by examiner

*Primary Examiner* — George D Kirschbaum

(74) *Attorney, Agent, or Firm* — Thomas & Karceski, P.C.

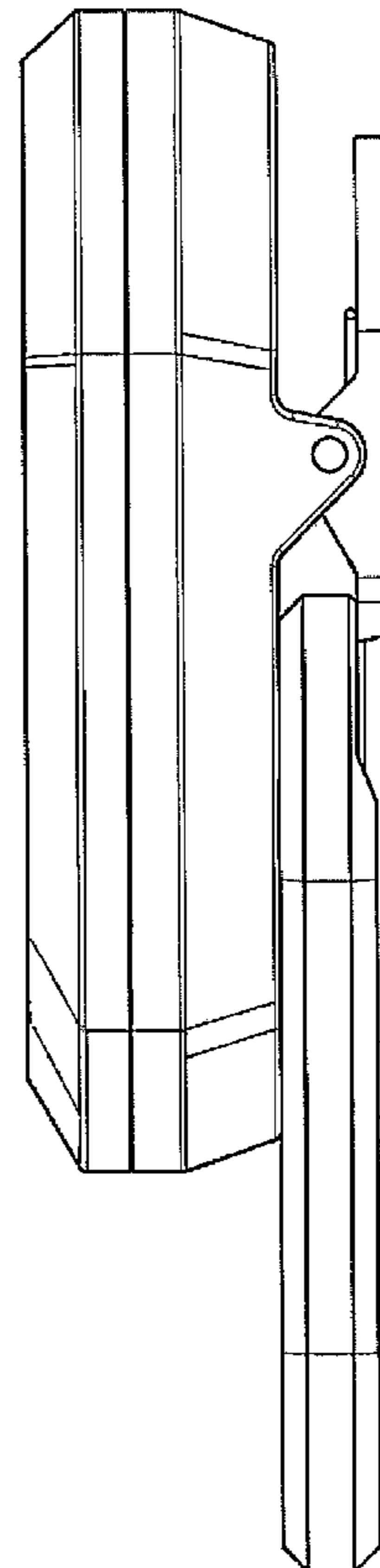
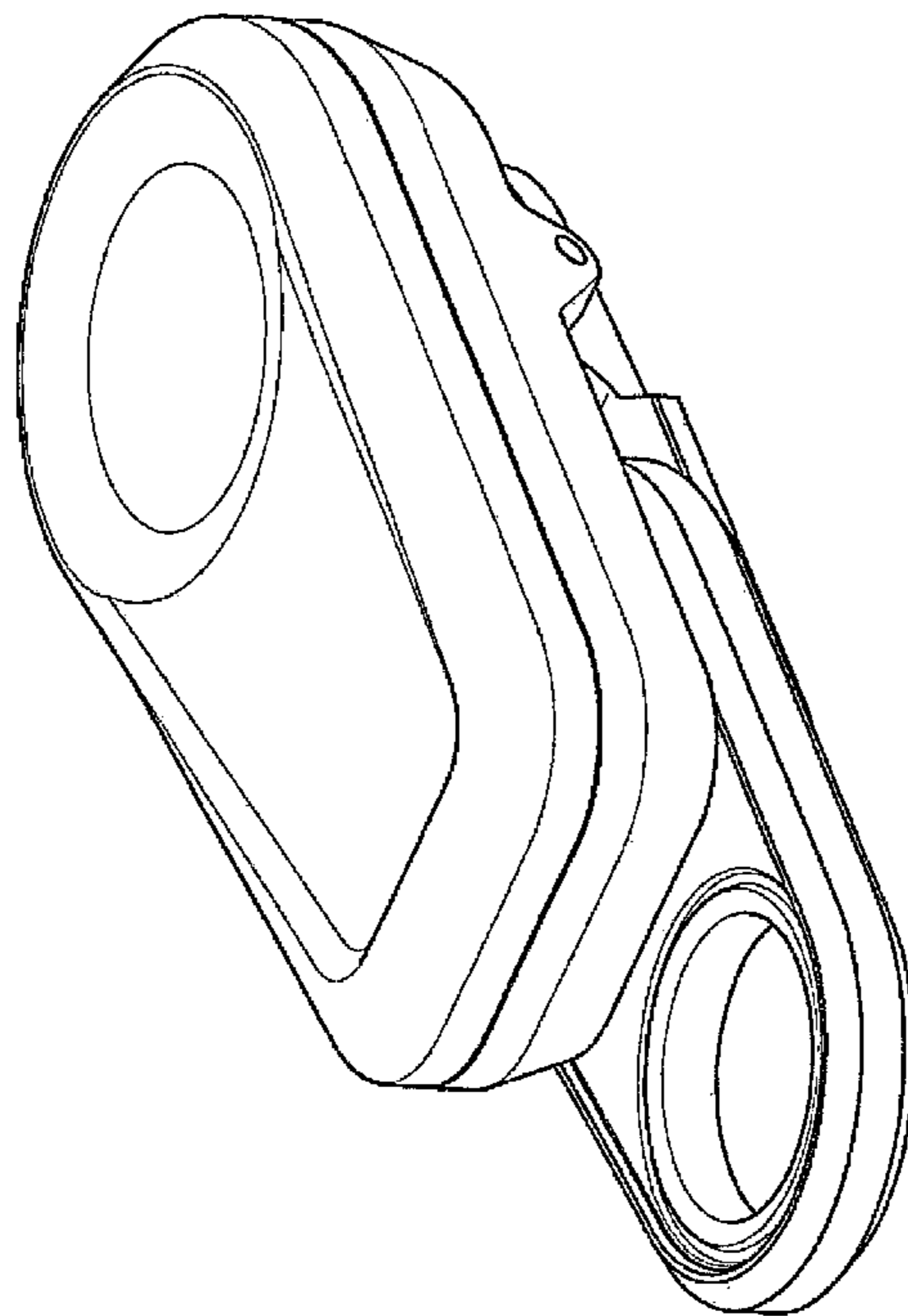
(57) **CLAIM**

The ornamental design for a clip alarm, as shown and described.

**DESCRIPTION**

FIG. 1 is a perspective view of a clip alarm according to our design;  
FIG. 2 is a left side view of the clip alarm of FIG. 1;  
FIG. 3 is a right side view of the clip alarm of FIG. 1;  
FIG. 4 is a top view of the clip alarm of FIG. 1;  
FIG. 5 is a bottom view of the clip alarm of FIG. 1;  
FIG. 6 is a front view of the clip alarm of FIG. 1; and,  
FIG. 7 is a back view of the clip alarm of FIG. 1.

**1 Claim, 7 Drawing Sheets**



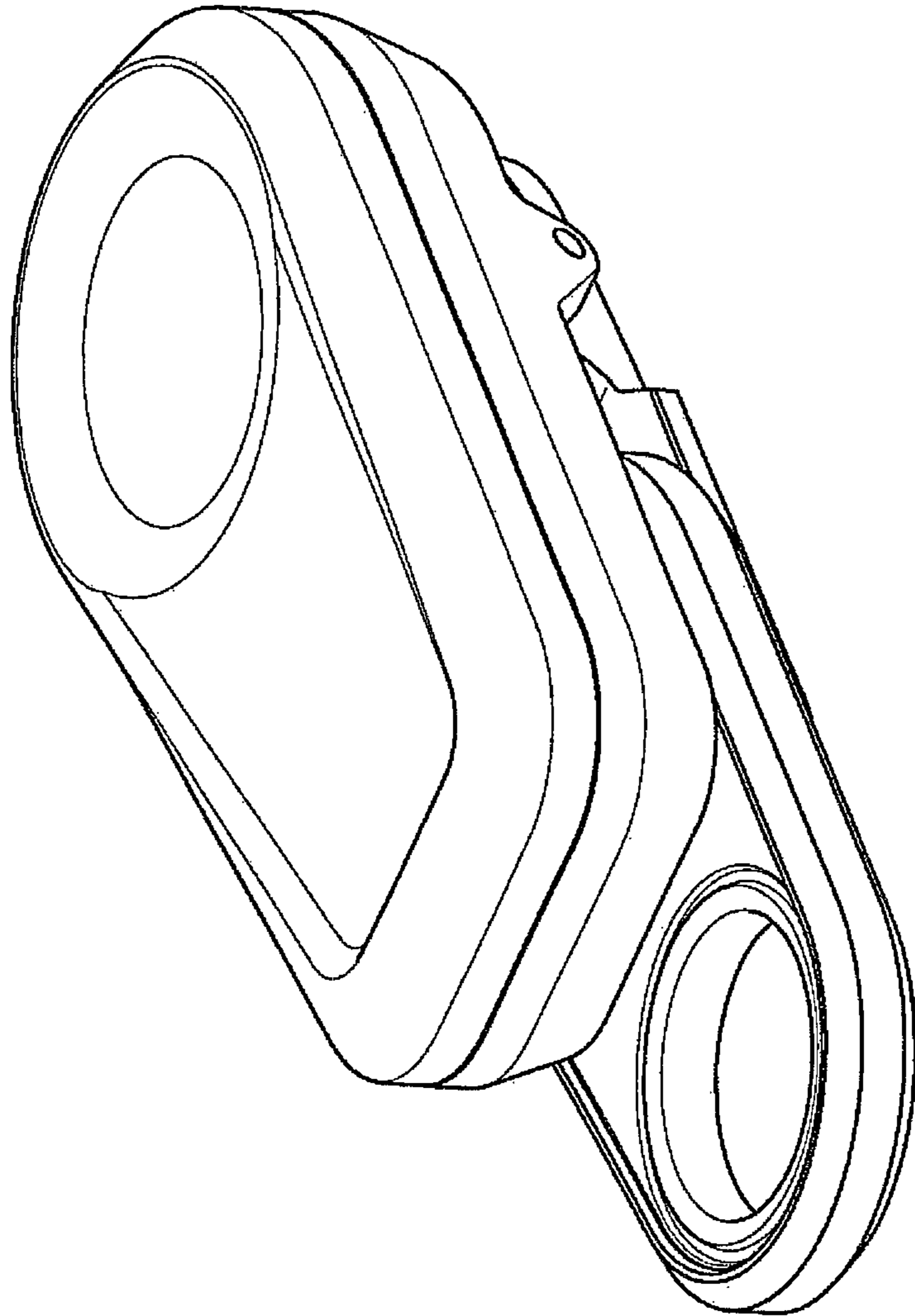


FIGURE 1



FIGURE 2



FIGURE 3

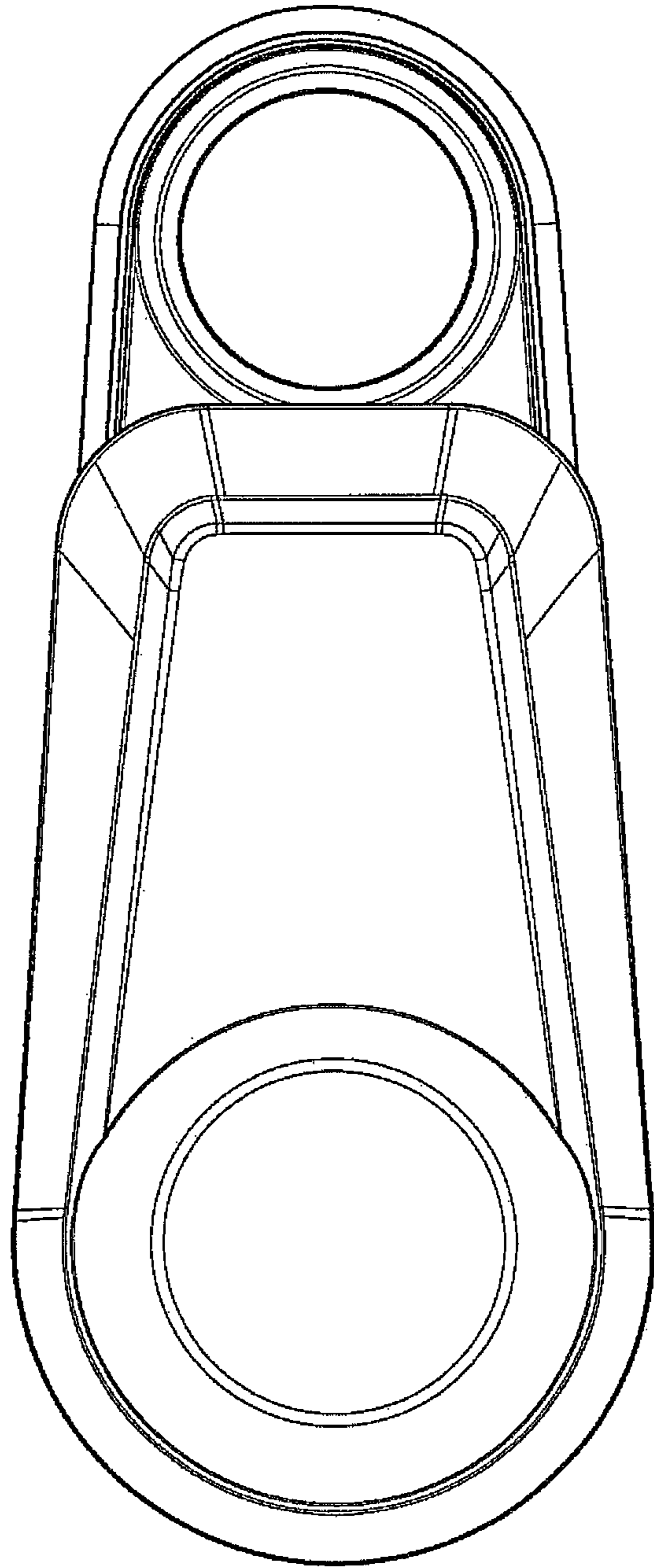


FIGURE 4

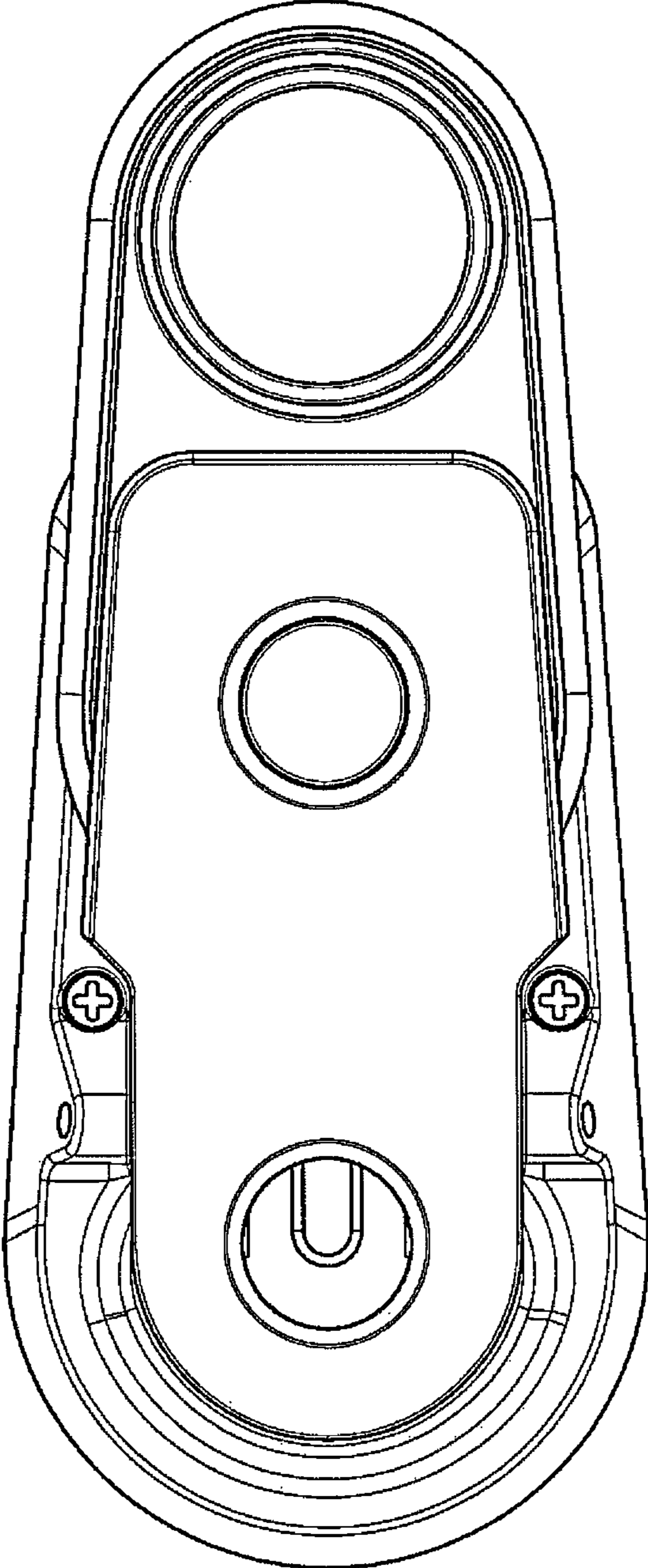


FIGURE 5

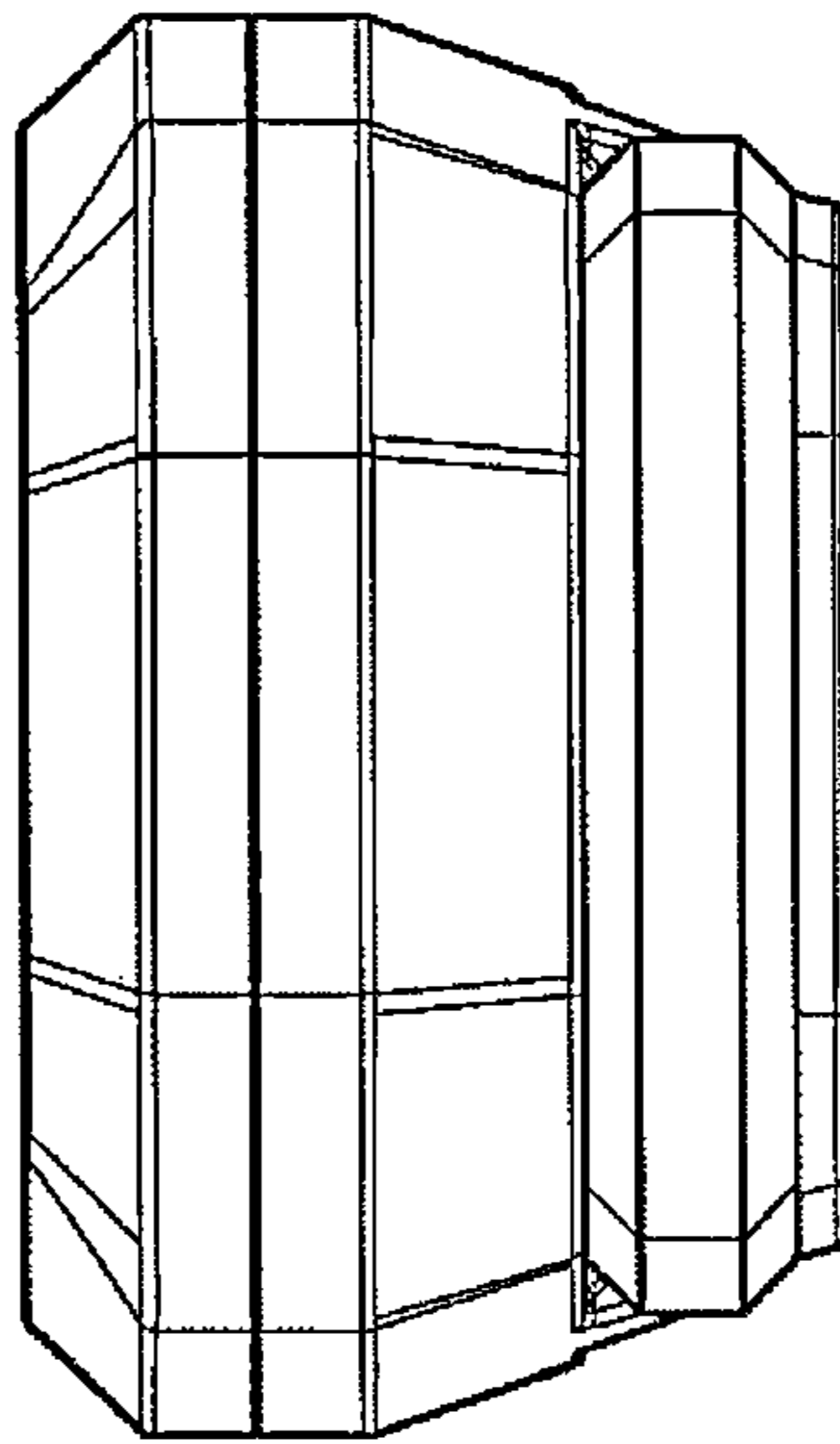


FIGURE 6

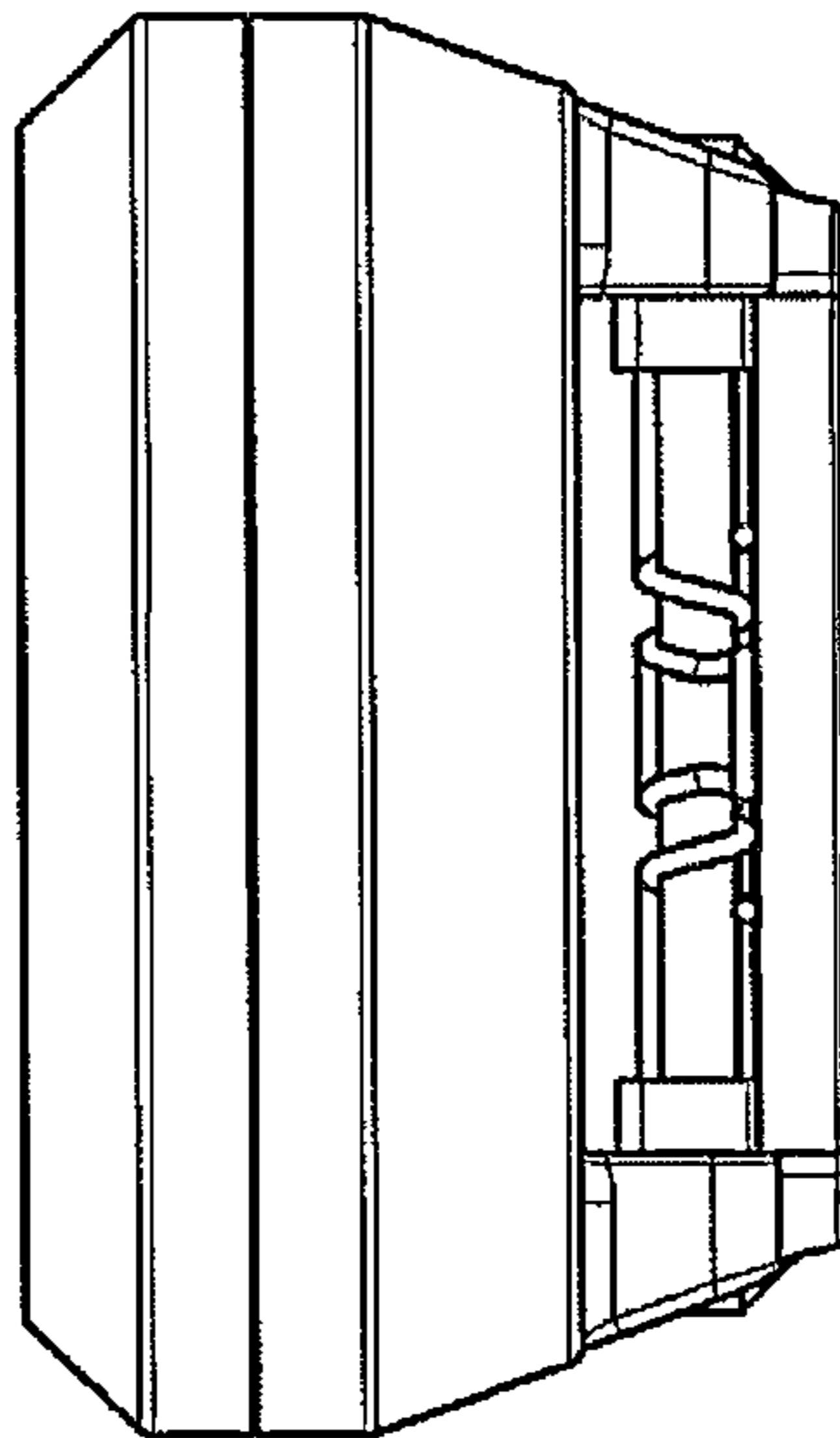


FIGURE 7